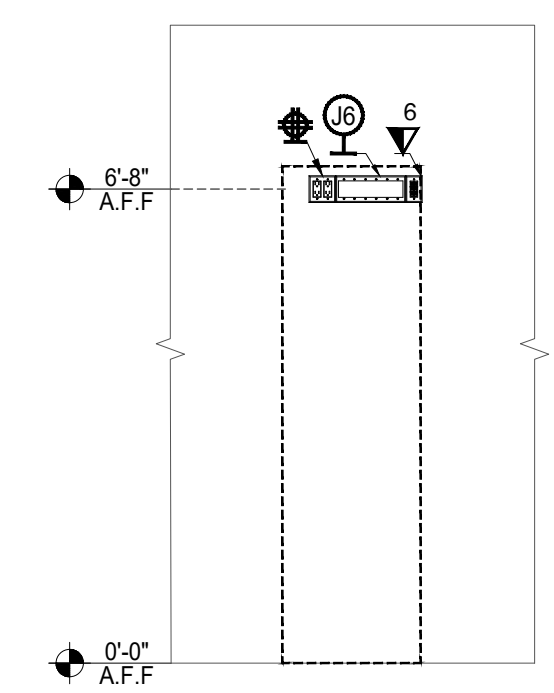
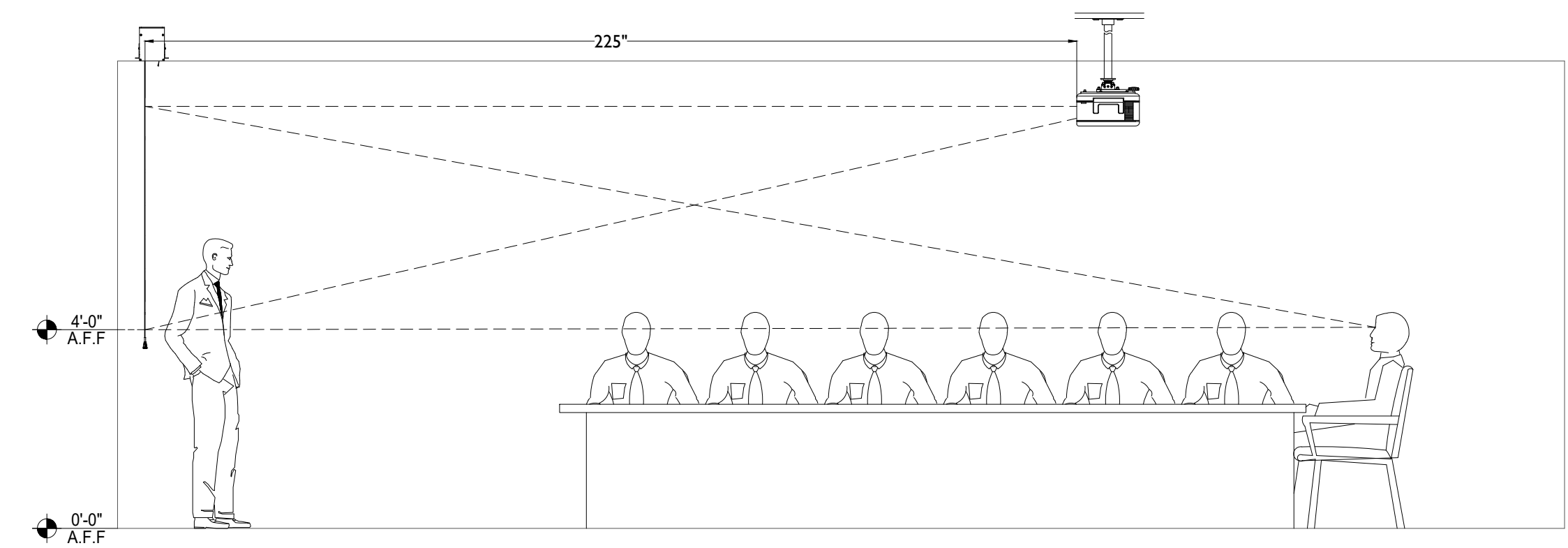


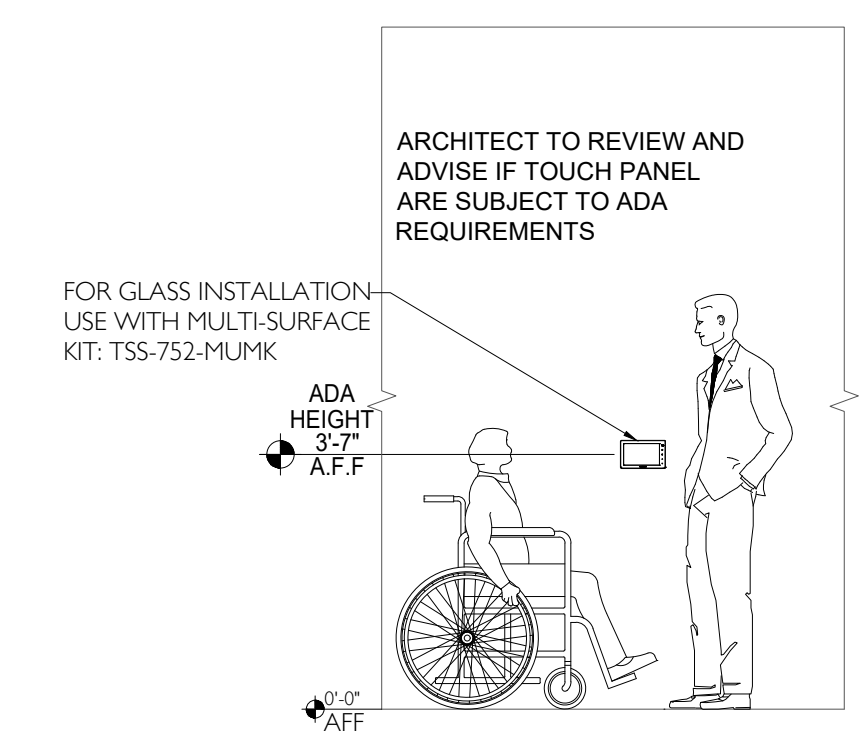
**FACILITY ELEVATION**  
 (1) AV FULL HEIGHT RACK  
 GROUP CLASSROOM SCALE SIZE: 1/2" = 1'-0"



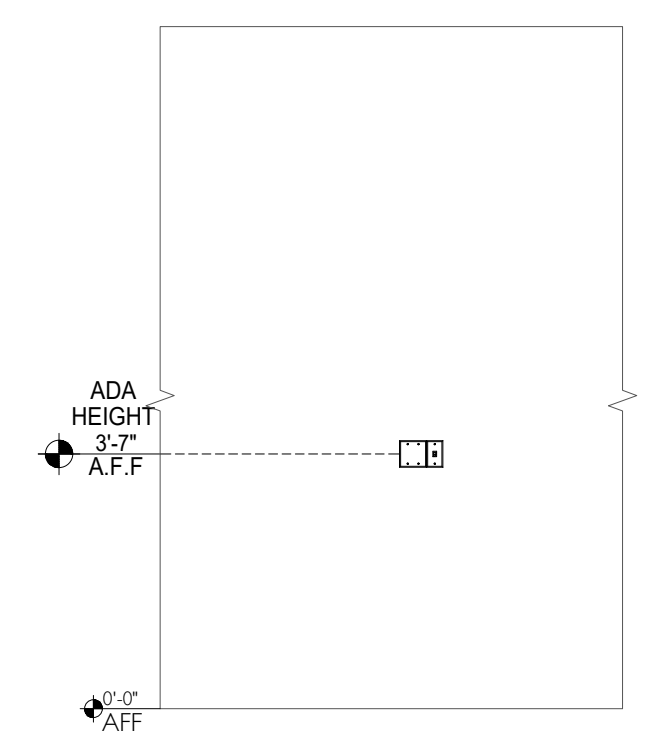
**ELECTRICAL ELEVATION**  
 (1) AV FULL HEIGHT RACK  
 GROUP CLASSROOM SCALE SIZE: 1/2" = 1'-0"



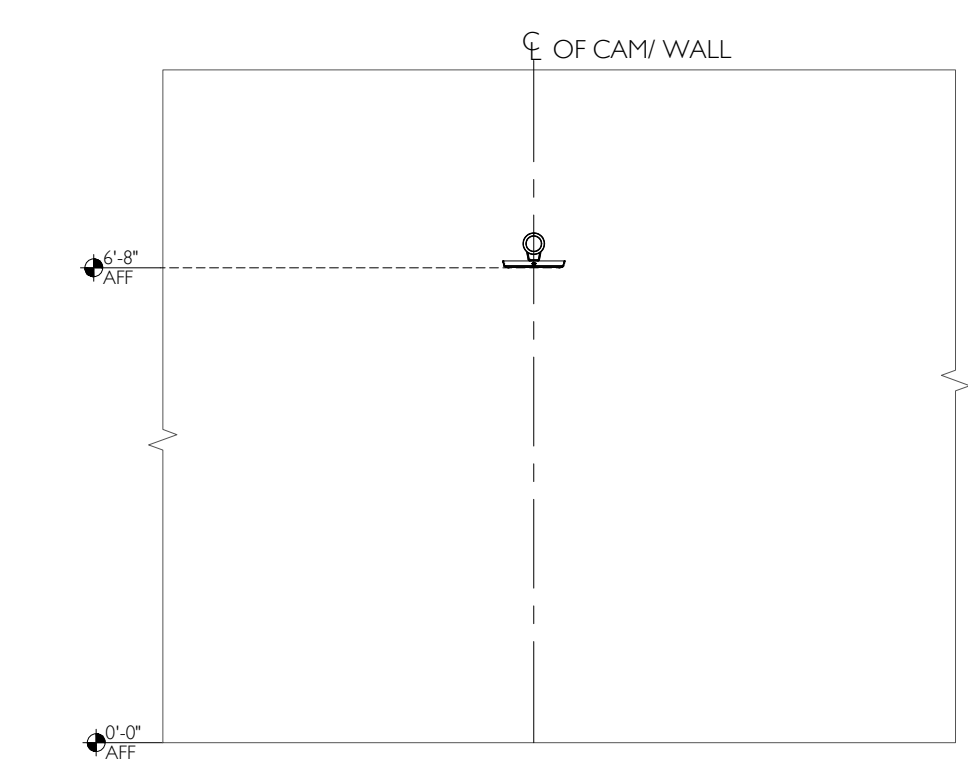
**FACILITY ELEVATION**  
 PROJECTOR  
 VIDEO CONFERENCE 3.2.C.E & 3.2.C.D SCALE SIZE: 1/2" = 1'-0"



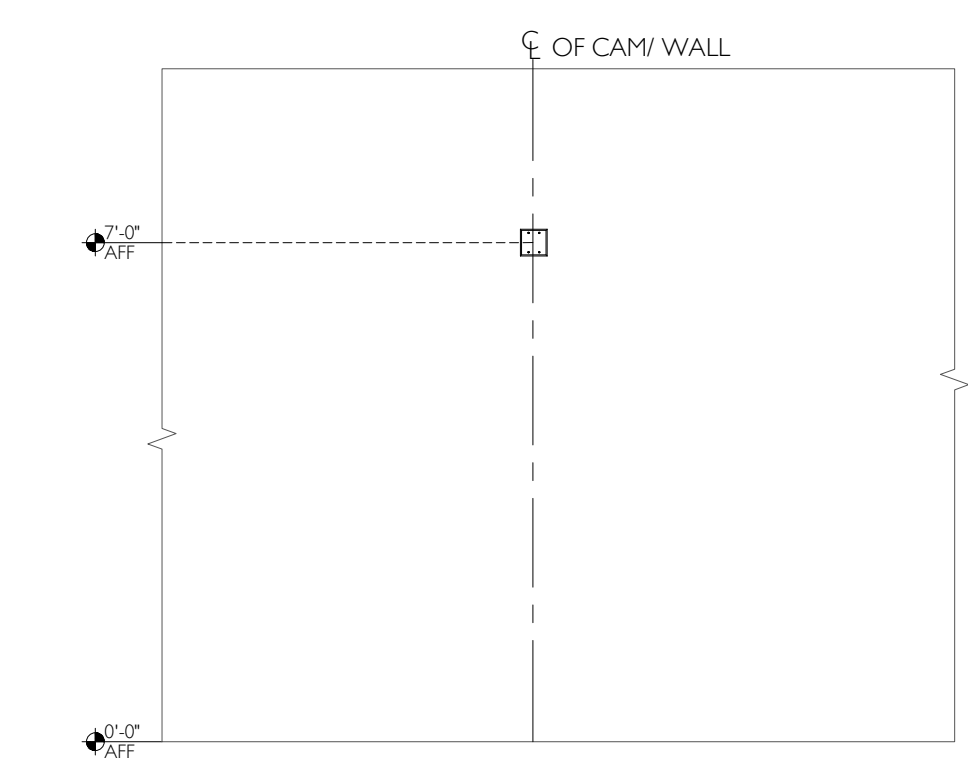
**FACILITY ELEVATION**  
 AV TOUCH PANEL  
 GROUP CLASSROOM SCALE SIZE: 1/2" = 1'-0"



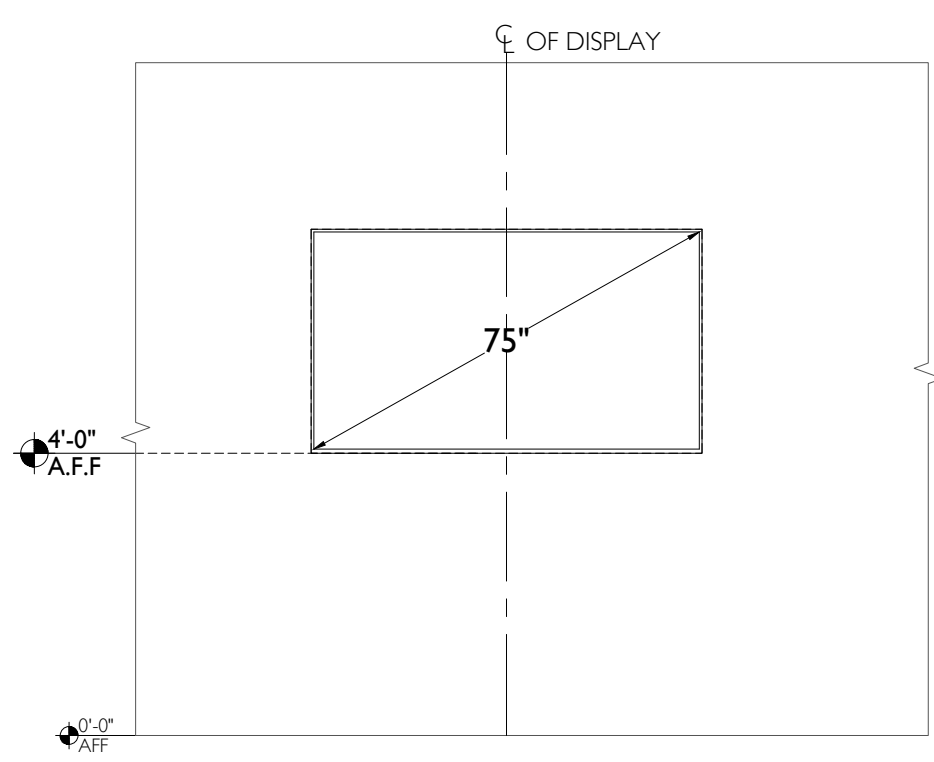
**ELECTRICAL ELEVATION**  
 AV TOUCH PANEL  
 GROUP CLASSROOM SCALE SIZE: 1/2" = 1'-0"



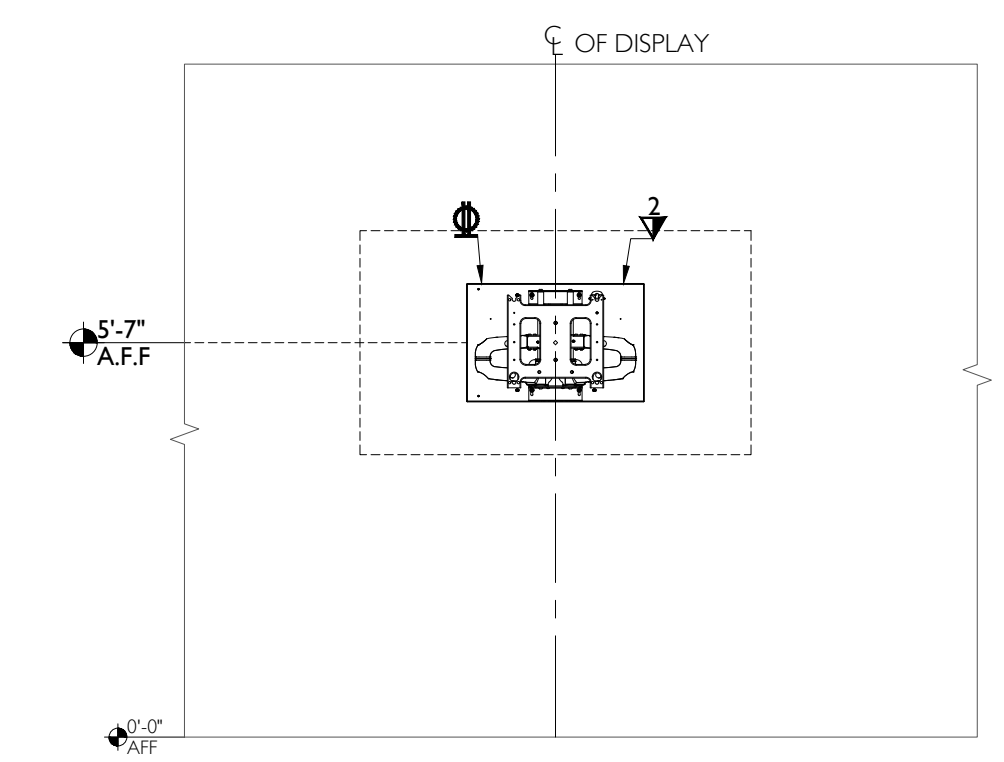
**FACILITY ELEVATION**  
 WALL MOUNTED CAMERA  
 TRAINING ROOM SCALE SIZE: 1/2" = 1'-0"



**ELECTRICAL ELEVATION**  
 WALL MOUNTED CAMERA  
 TRAINING ROOM SCALE SIZE: 1/2" = 1'-0"



**FACILITY ELEVATION**  
 SINGLE 75" DISPLAY  
 SPIN ROOM SCALE SIZE: 1/2" = 1'-0"



**ELECTRICAL ELEVATION**  
 SINGLE 75" DISPLAY  
 SPIN ROOM SCALE SIZE: 1/2" = 1'-0"

Date	Description
11/21/2017	REVIEW & COORDINATION
11/28/2017	REVIEW & COORDINATION
12/05/2017	REVIEW & COORDINATION
12/14/2017	CD

Seal / Signature

**NOT FOR CONSTRUCTION**

Project Name  
 Unum Workplace Transformation- Phase 2 & 3  
 Project Number  
 59.6481.003  
 Description

**AUDIOVISUAL ELEVATIONS**

Scale  
 1/8" = 1'-0"

**AV.302.00**