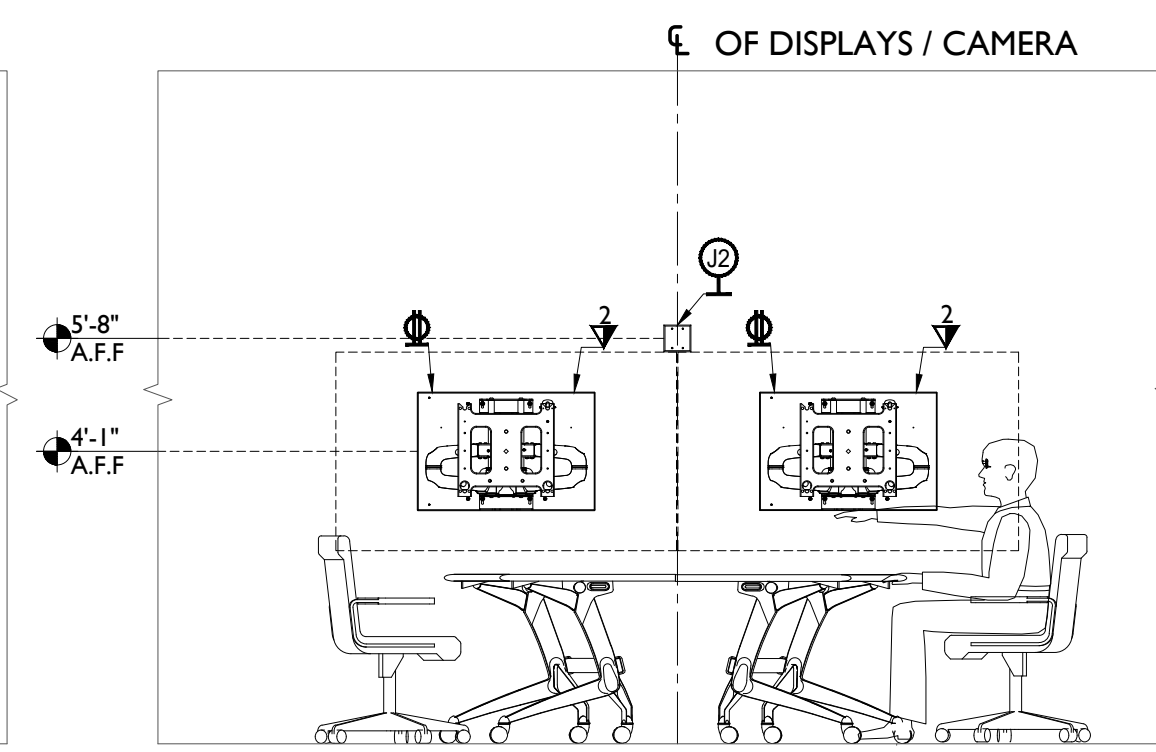
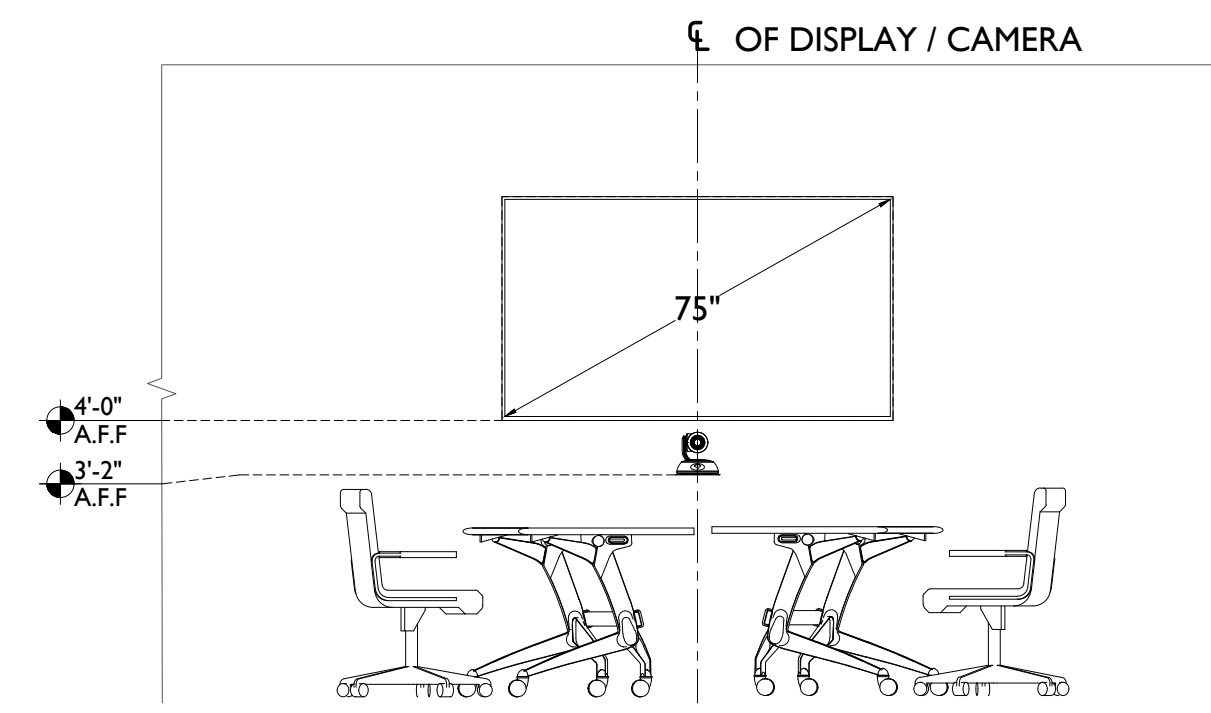


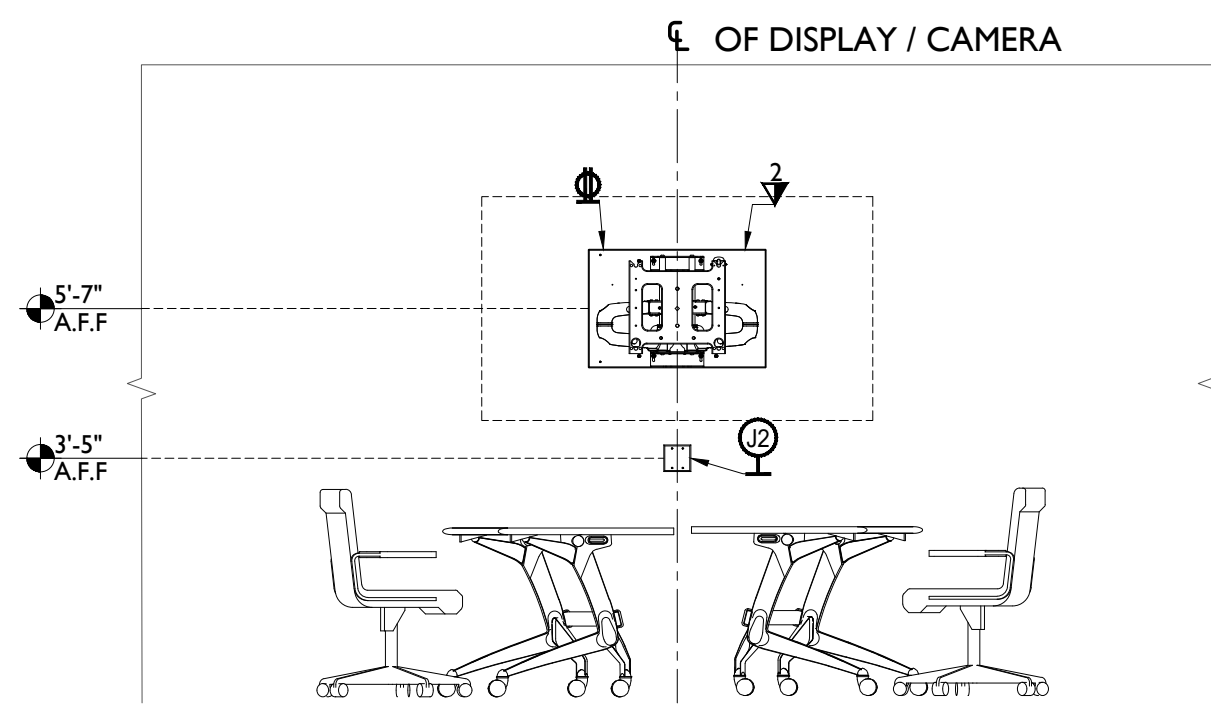
FACILITY ELEVATION
 DUAL 65" W/ SPEAKERTRACK BELOW
 VIDEO CONFERENCE SCALE SIZE: 1/2" = 1'-0"



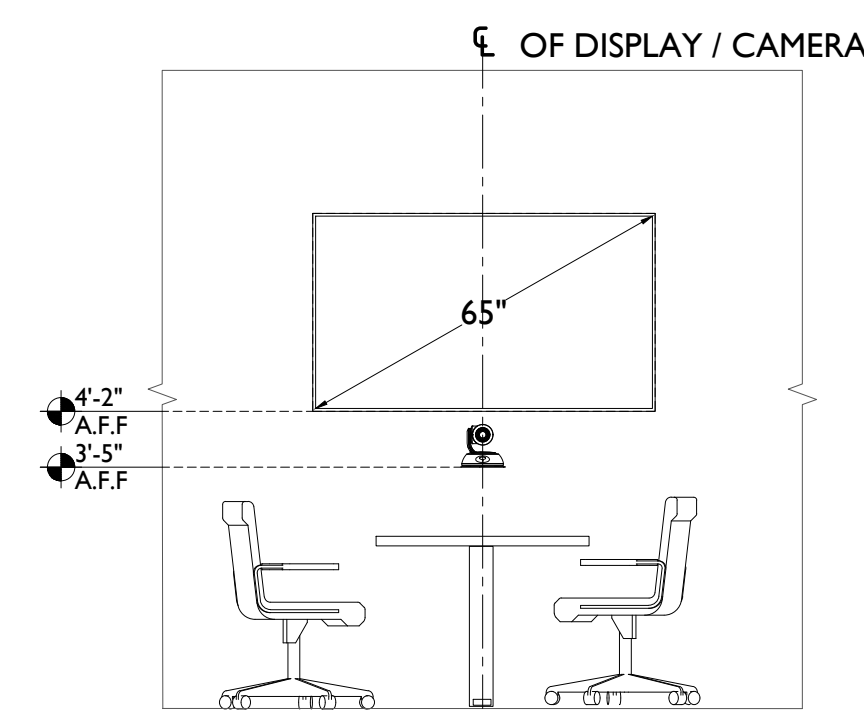
ELECTRICAL ELEVATION
 DUAL 65" W/ SPEAKERTRACK BELOW
 VIDEO CONFERENCE SCALE SIZE: 1/2" = 1'-0"



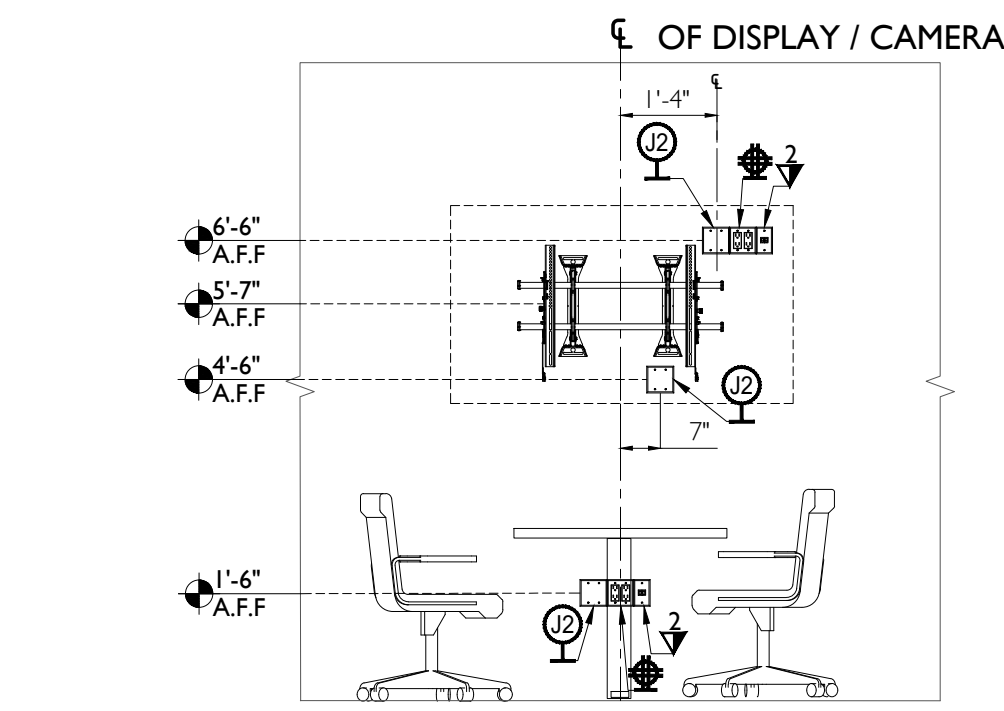
FACILITY ELEVATION
 SINGLE 75" W/ USB CAMERA BELOW
 CONFERENCE SCALE SIZE: 1/2" = 1'-0"



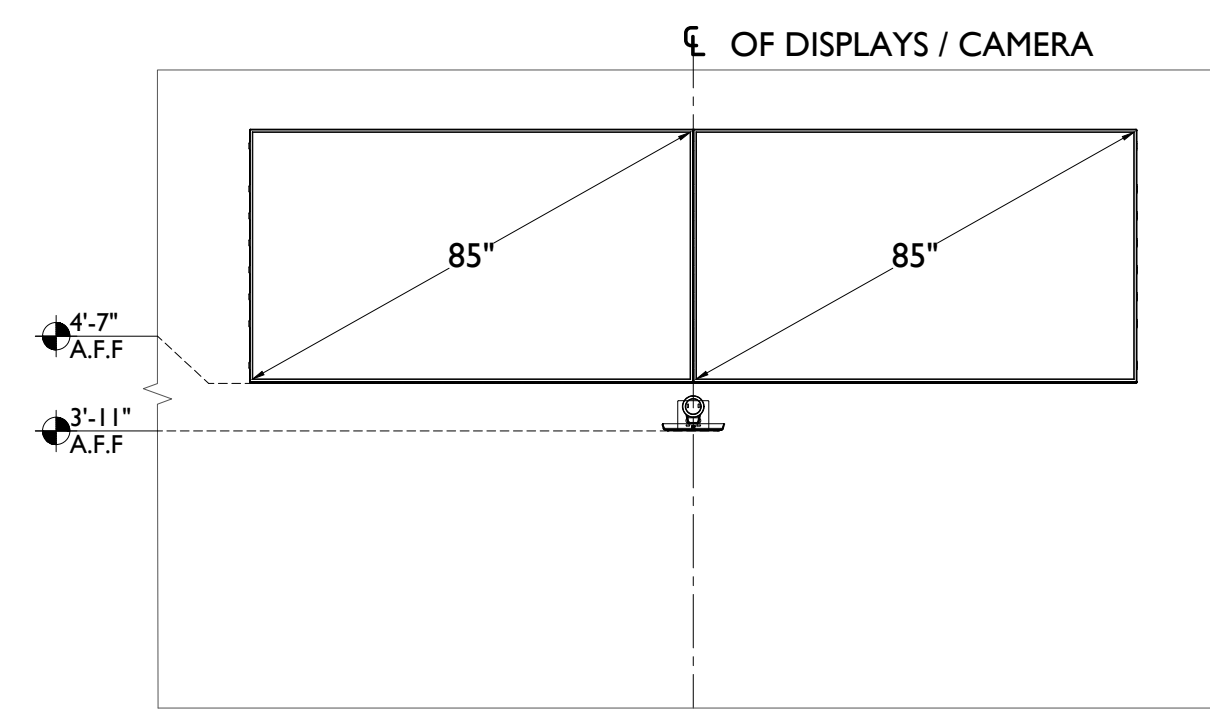
ELECTRICAL ELEVATION
 SINGLE 75" W/ USB CAMERA BELOW
 CONFERENCE SCALE SIZE: 1/2" = 1'-0"



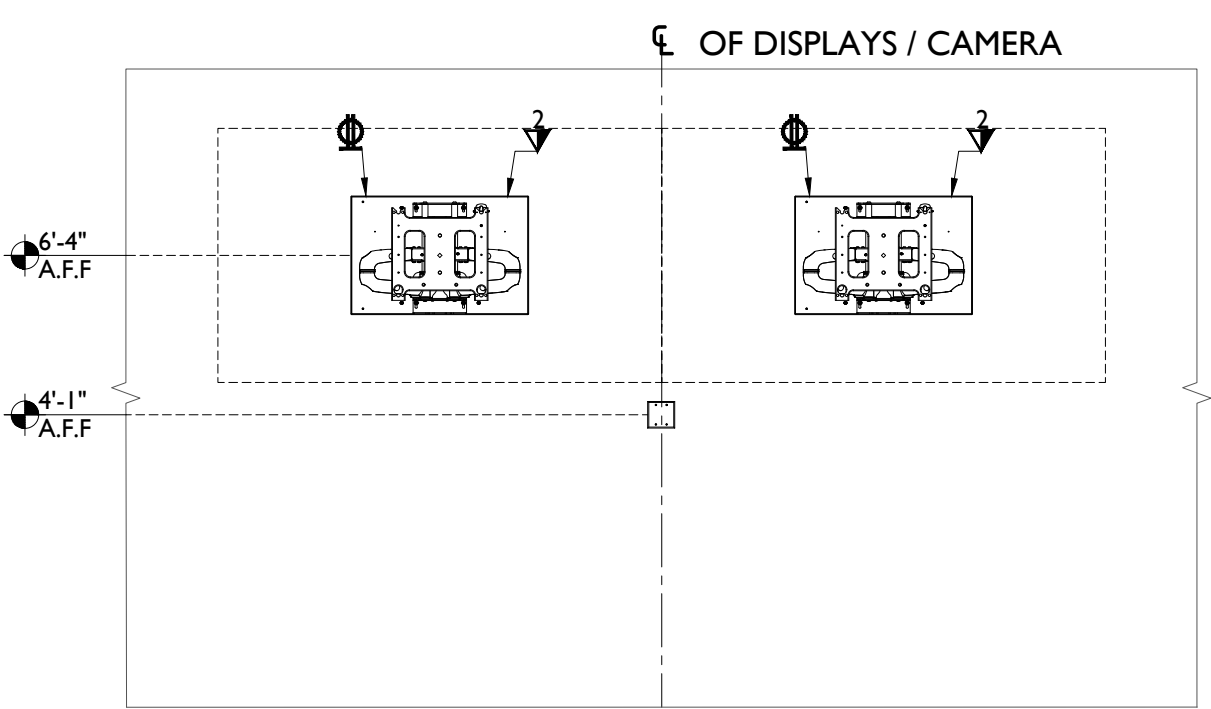
FACILITY ELEVATION
 SINGLE 65" W/ USB CAMERA BELOW
 HUDDLE SCALE SIZE: 1/2" = 1'-0"



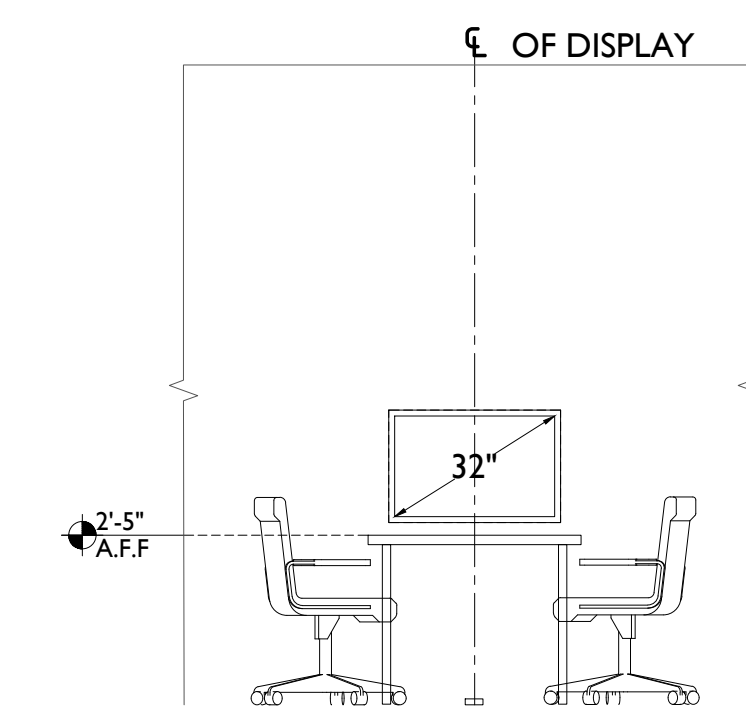
ELECTRICAL ELEVATION
 SINGLE 65" W/ USB CAMERA BELOW
 HUDDLE SCALE SIZE: 1/2" = 1'-0"



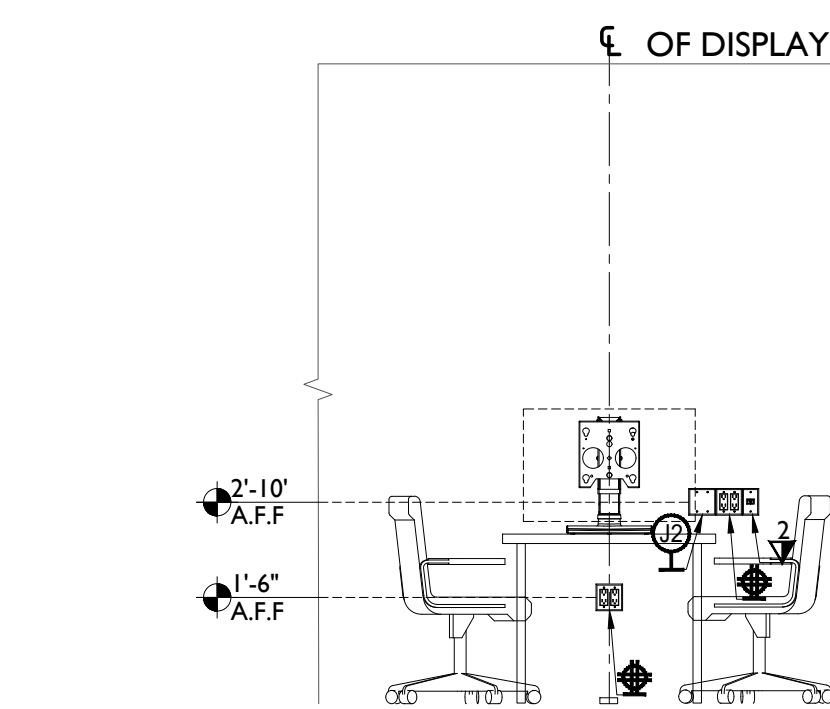
FACILITY ELEVATION
 DUAL 85" DISPLAYS W/ CAMERA BELOW
 TRAINING & VIDEO CONFERENCE SCALE SIZE: 1/2" = 1'-0"



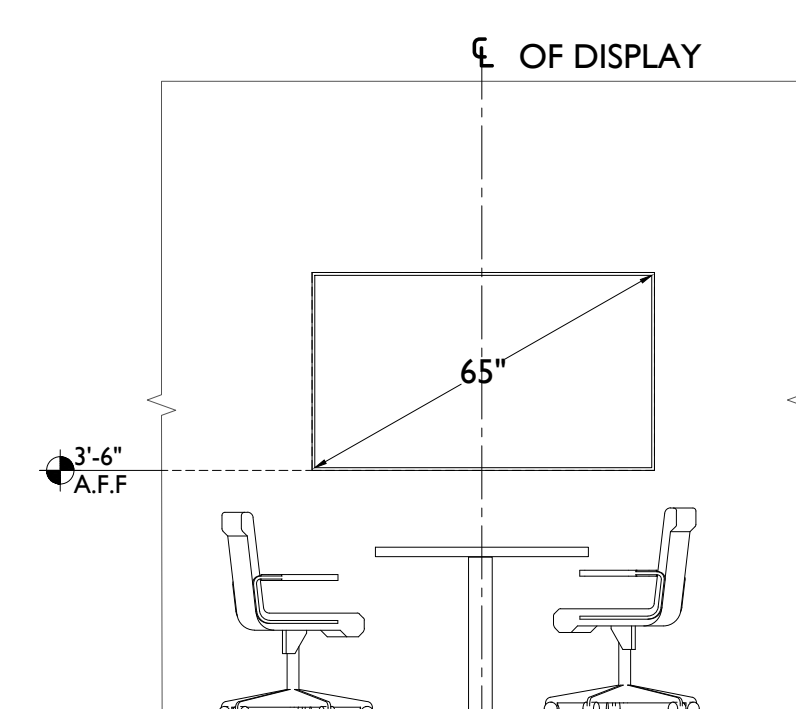
ELECTRICAL ELEVATION
 DUAL 85" DISPLAYS W/ CAMERA BELOW
 TRAINING & VIDEO CONFERENCE SCALE SIZE: 1/2" = 1'-0"



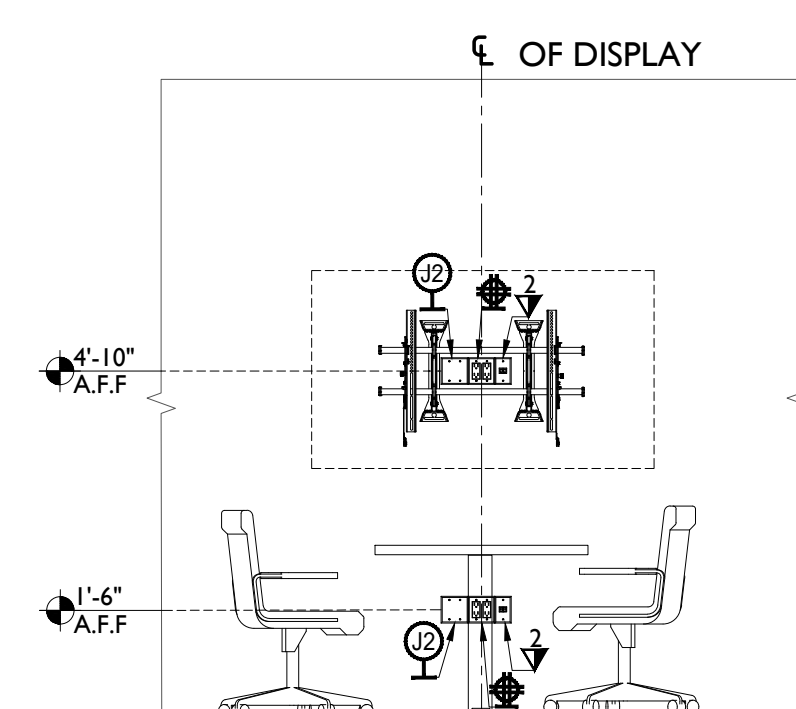
FACILITY ELEVATION
 32" DISPLAY
 FOCUS SCALE SIZE: 1/2" = 1'-0"



ELECTRICAL ELEVATION
 32" DISPLAY
 FOCUS SCALE SIZE: 1/2" = 1'-0"



FACILITY ELEVATION
 65" DISPLAY
 MEET UP SCALE SIZE: 1/2" = 1'-0"



ELECTRICAL ELEVATION
 65" DISPLAY
 MEET UP SCALE SIZE: 1/2" = 1'-0"

| Date | Description |
|------------|-----------------------|
| 11/21/2017 | REVIEW & COORDINATION |
| 11/28/2017 | REVIEW & COORDINATION |
| 12/05/2017 | REVIEW & COORDINATION |
| 12/14/2017 | CD |

Seal / Signature

NOT FOR CONSTRUCTION

Project Name
 Unum Workplace
 Transformation- Phase 2 & 3
 Project Number
 59.6481.003
 Description

AUDIOVISUAL ELEVATIONS

Scale
 1/8" = 1'-0"

AV.301.00