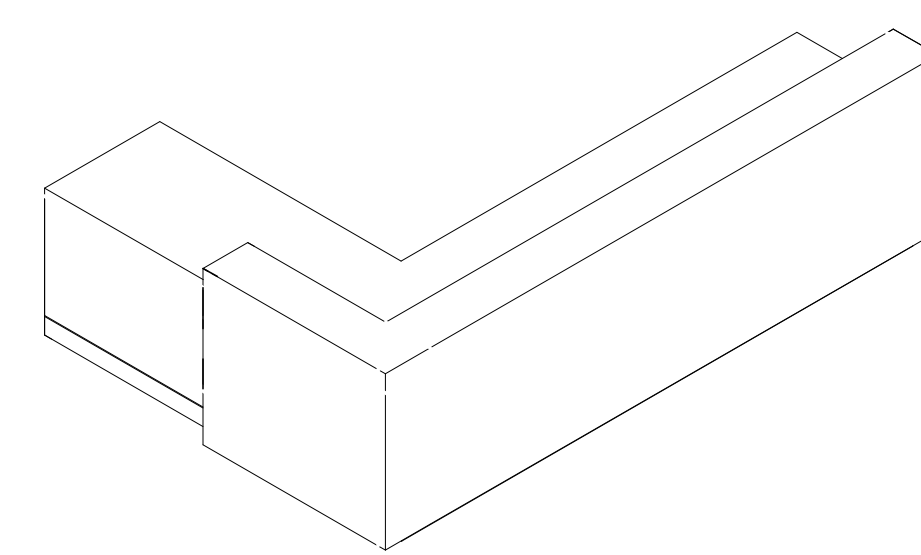
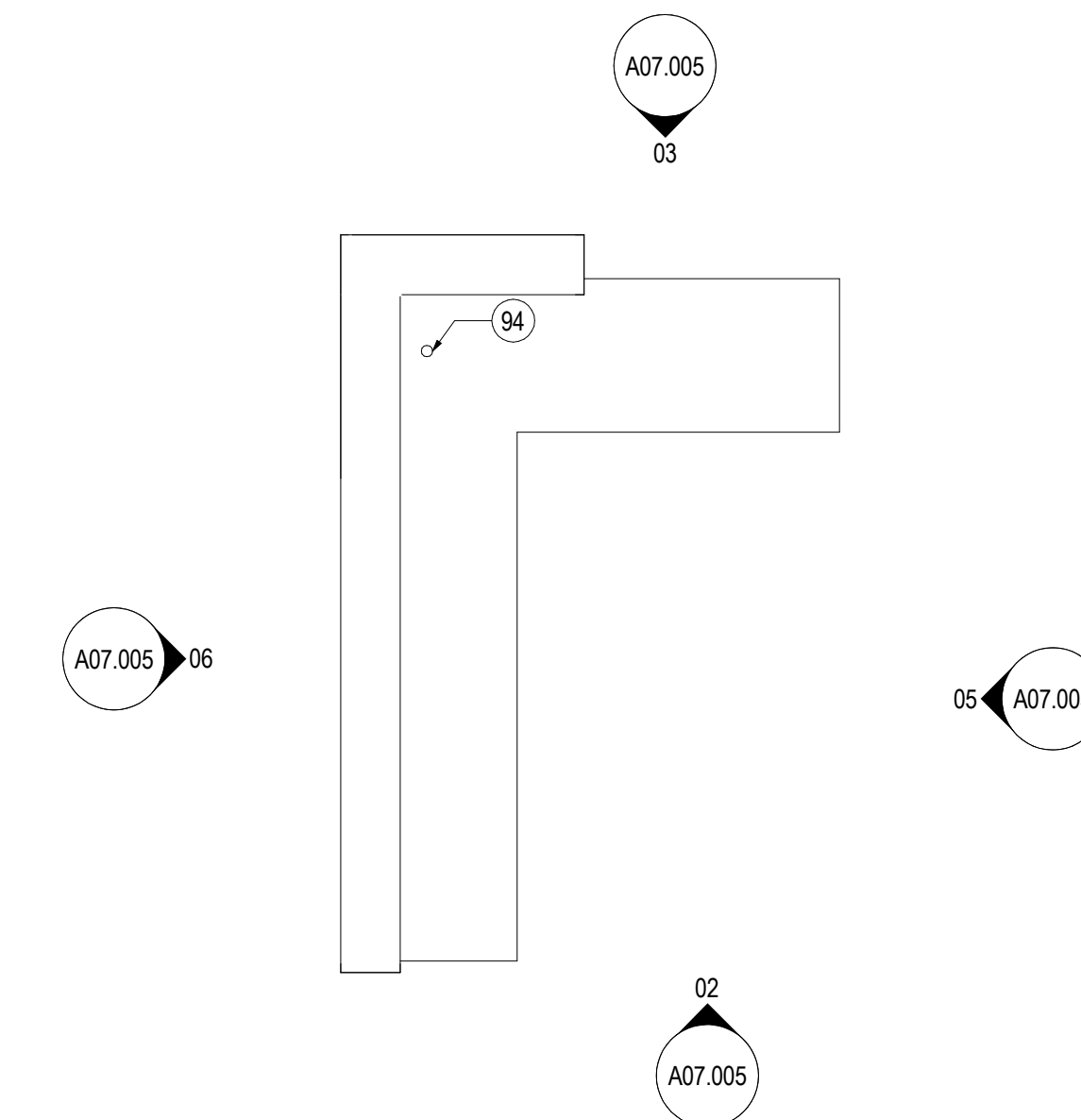


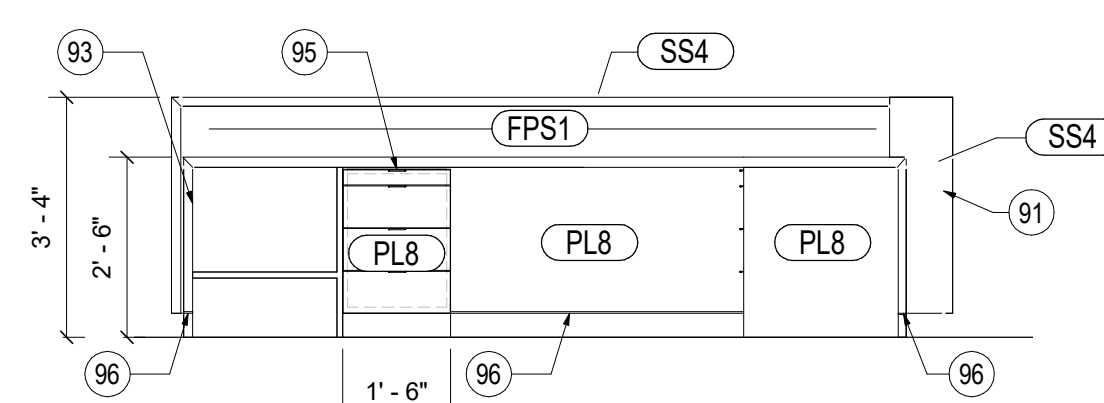
**07** FITNESS DESK AXON Copy 1  
SCALE:



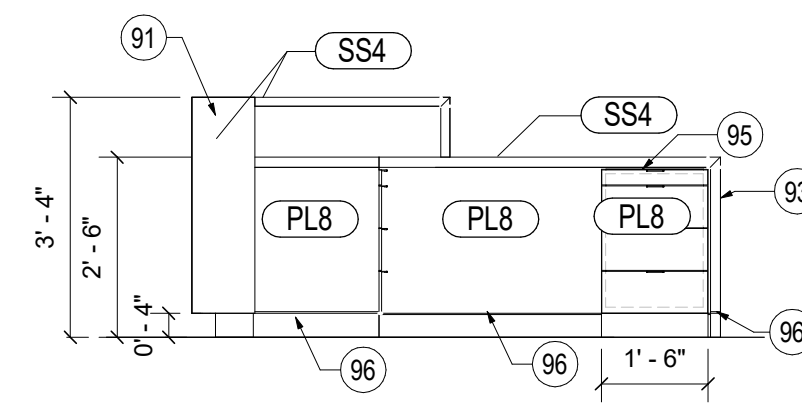
**04** FITNESS DESK AXON  
SCALE:



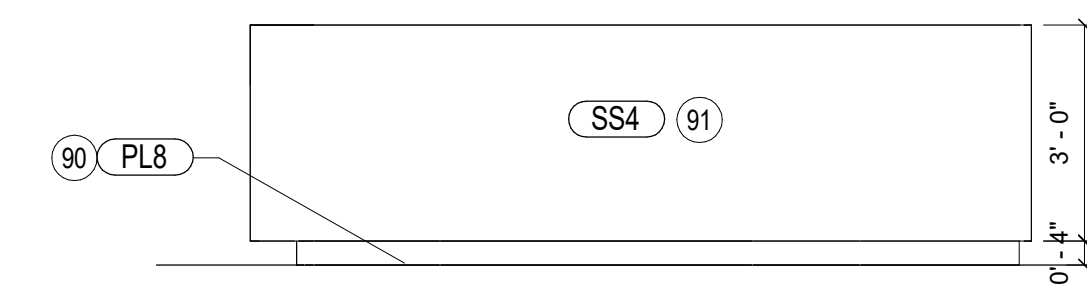
**01** ENLARGED PLAN - FITNESS CENTER DESK  
SCALE: 3/8" = 1'-0"



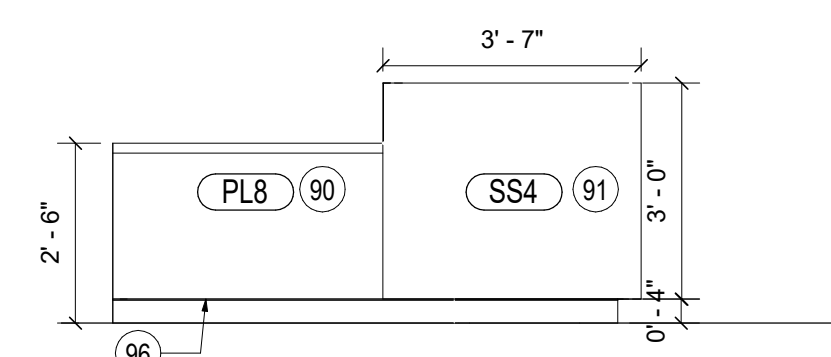
**05** WT ELEVATION  
SCALE: 3/8" = 1'-0"



**02** NORTH ELEVATION  
SCALE: 3/8" = 1'-0"



**06** WEST ELEVATION  
SCALE: 3/8" = 1'-0"



**03** SOUTH ELEVATION  
SCALE: 3/8" = 1'-0"

**SHEET NOTES**

- 90 FULL SHEET OF PLASTIC LAMINATE; NO SEAMS.
- 91 SOLID SURFACE (SS3) WATERFALL EDGE WITH MITERED CORNER.
- 93 WATERFALL EDGE
- 94 PROVIDE 2" DIAMETER DOWEL MOCKETT GROMMET ON RECEPTION DESK COUNTER TYP. COORDINATE EXACT LOCATION AND QUANTITY WITH OWNER.
- 95 HARDWARE PULL HW1
- 96 1/4" QUIRK MITER + PAINTED

**GENERAL NOTES**

- A. REFER TO SHEETS SERIES A02.100, A02.200 AND I02.100 FOR CONSTRUCTION, REFLECTED CEILING AND FINISH PLAN GENERAL NOTES.
- B. REFER TO FINISH PLAN FOR WALL BASE AS SCHEDULED, TYPICAL.

**KEY PLAN**

Date	Description
12/15/17	ISSUE FOR PERMIT & CONSTRUCTION

Seal / Signature

Project Name  
Unum Workplace Transformation - Phase 2 & 3  
~~(HO2 & HO3)~~  
59.6481.003

Description  
FITNESS DESK ENLARGED PLAN AND ELEVATION - HO2

Scale  
3/8" = 1'-0"

**A07.005**

12/15/2017 9:41:00 AM I:\gensler\_ad\projects\Revit\Unum\Access\262659.6481.003 - UNUM - PORTLAND - HO2\_2016\_22462.rvt