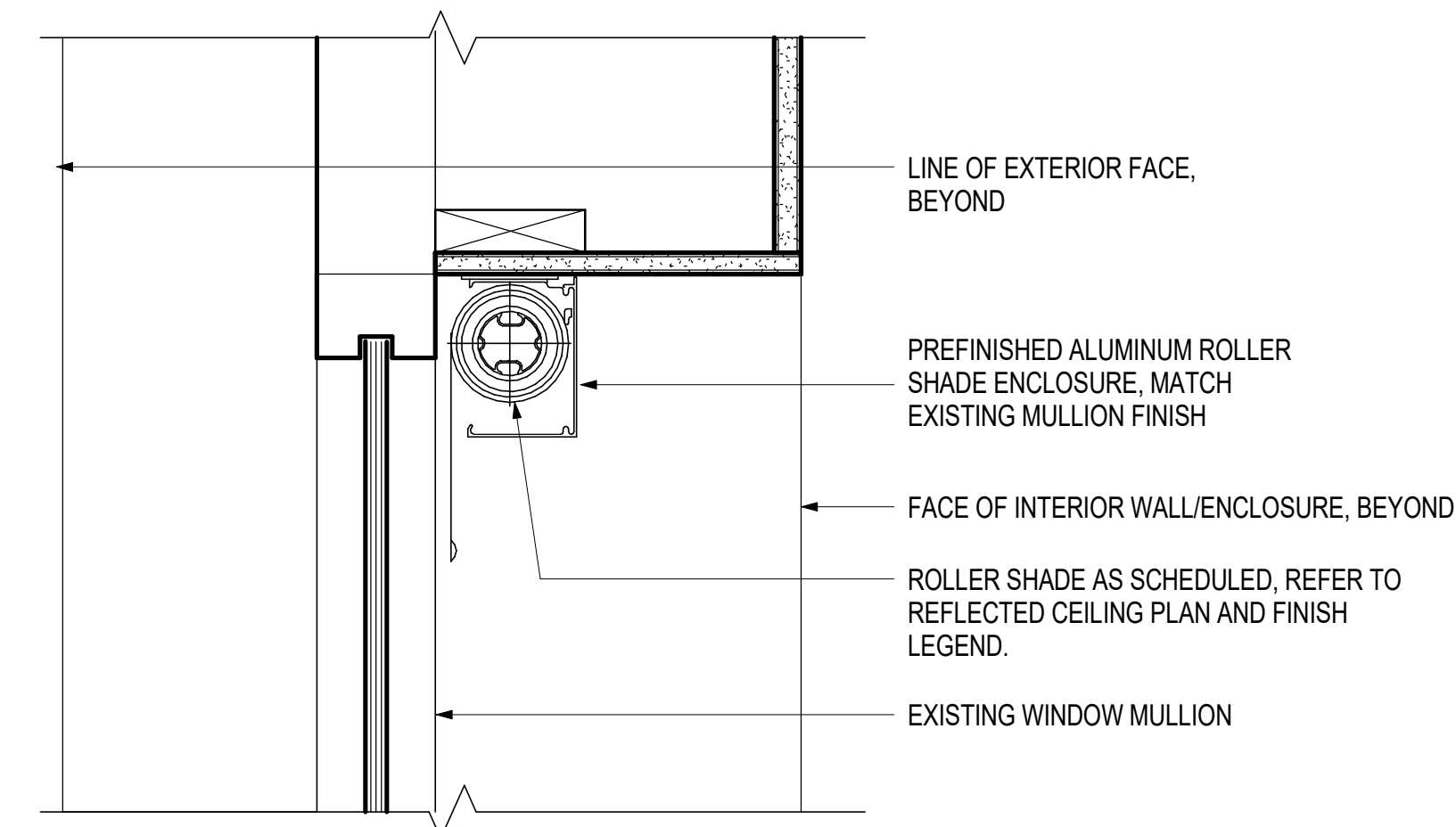
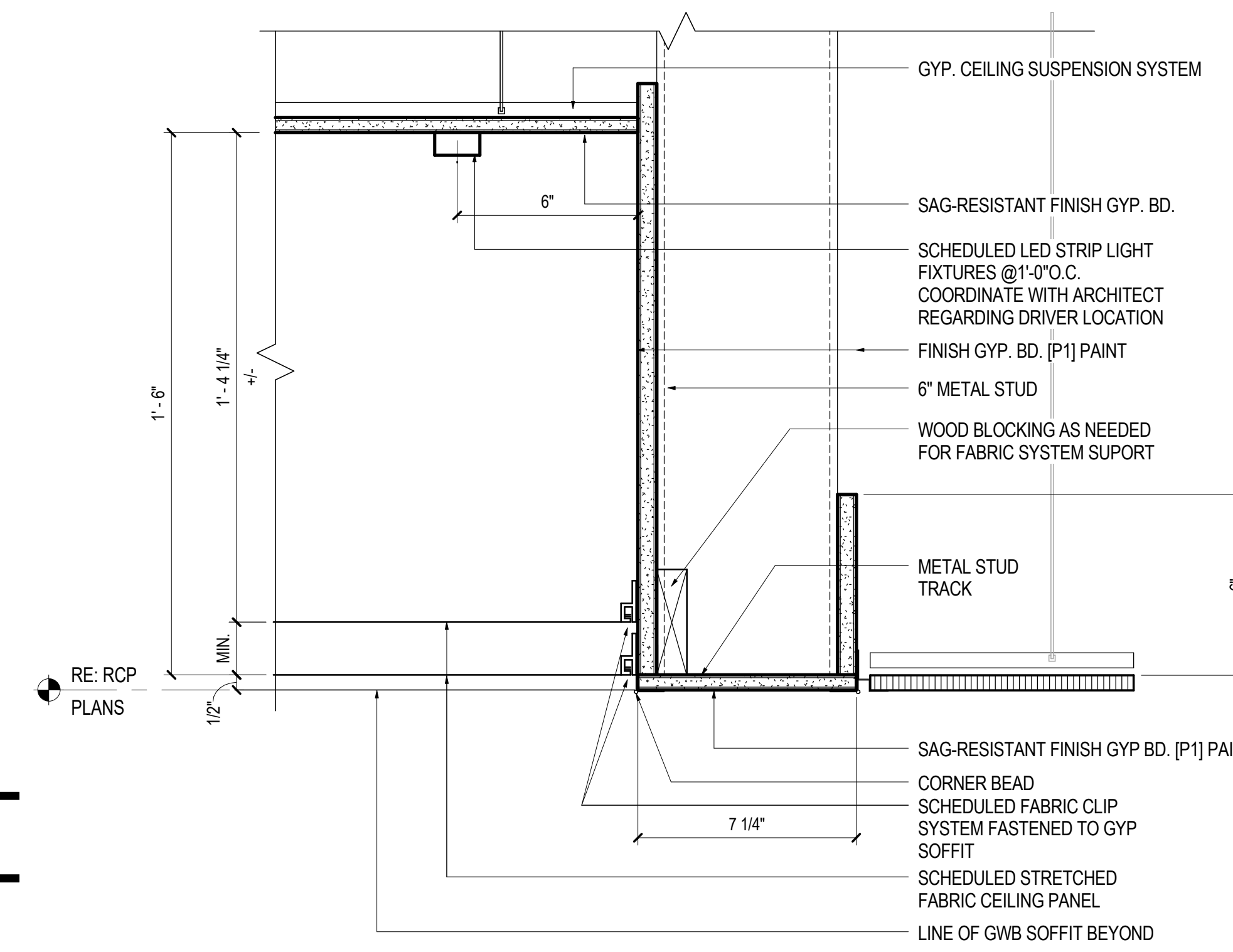


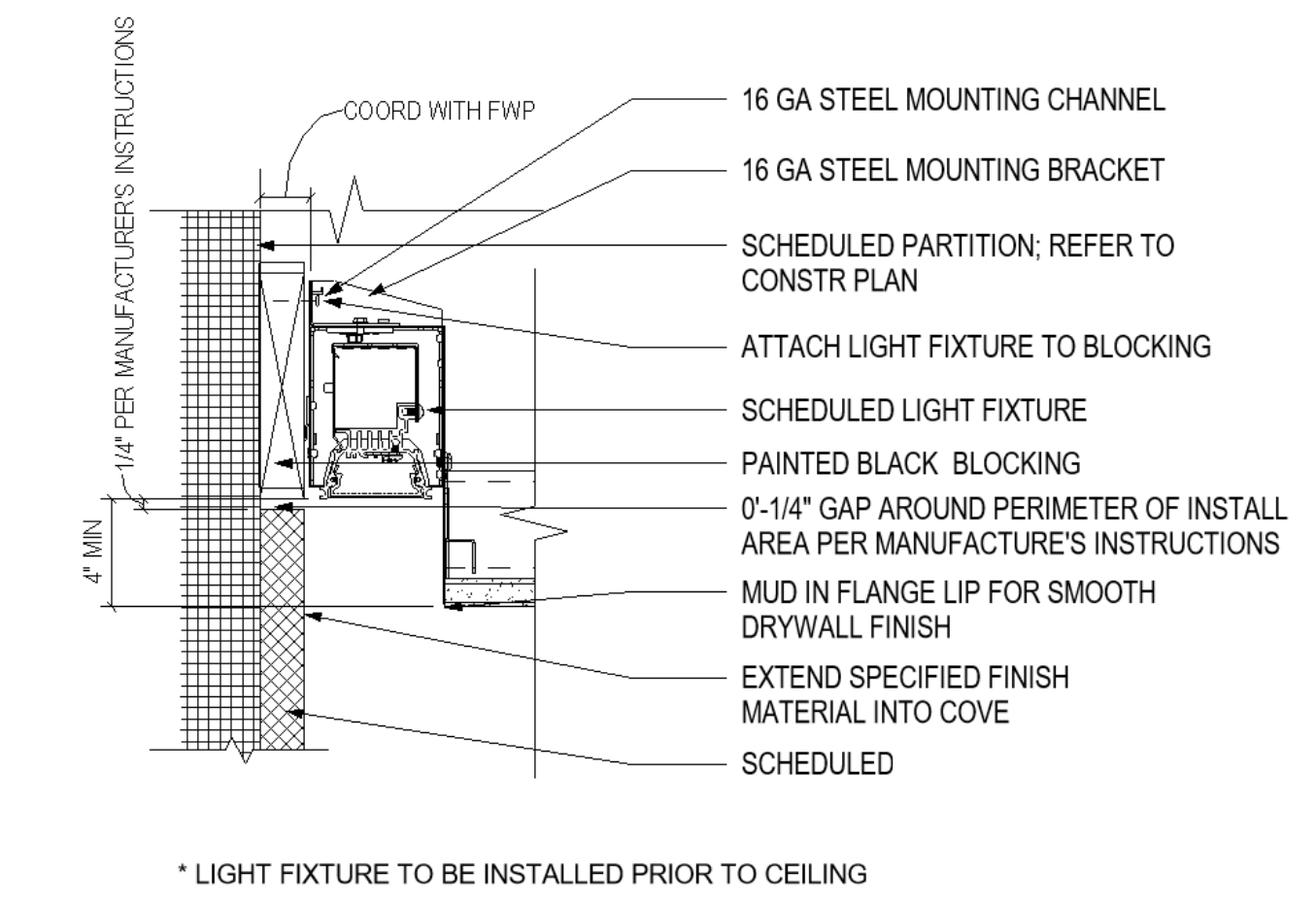
13 CEILING DETAIL - FLUSH GYP HEADER  
SCALE: 3" = 1'-0"



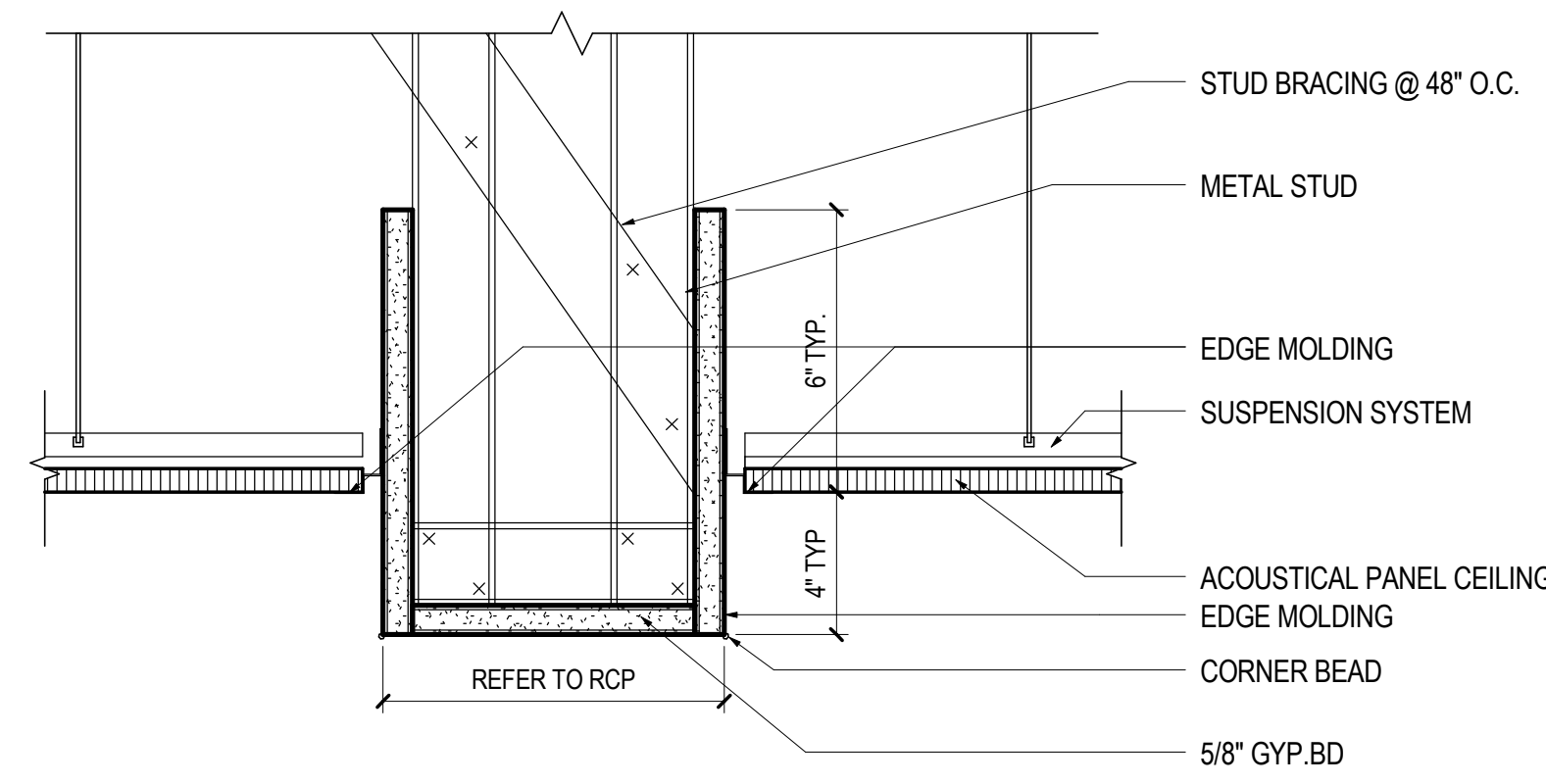
09 TYPICAL DETAIL - ROLLER SHADE AT ALL PERIMETER WINDOWS  
SCALE: 3" = 1'-0"



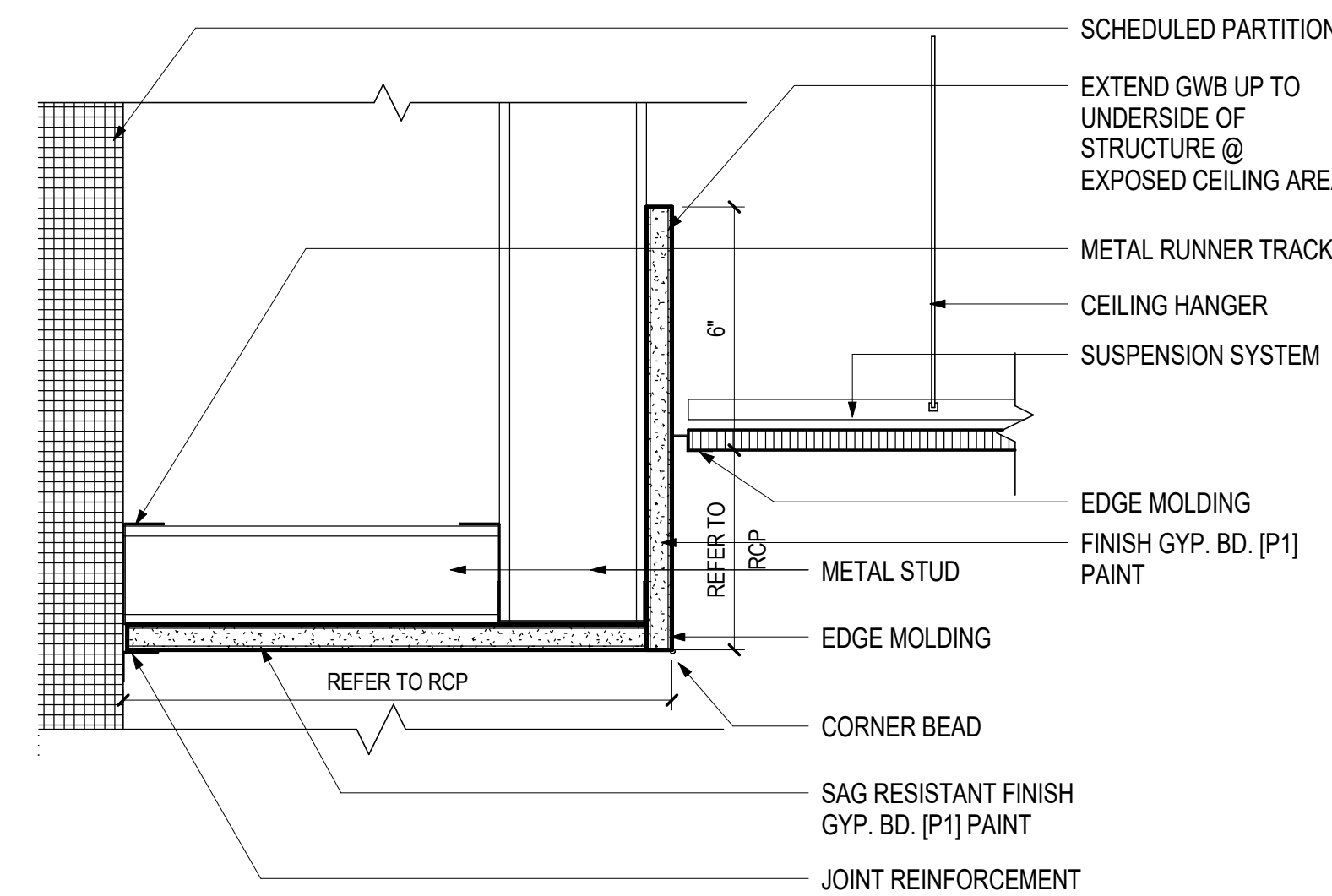
05 CEILING DETAIL - STAIR CLIPSO LIGHT1  
SCALE: 3" = 1'-0"



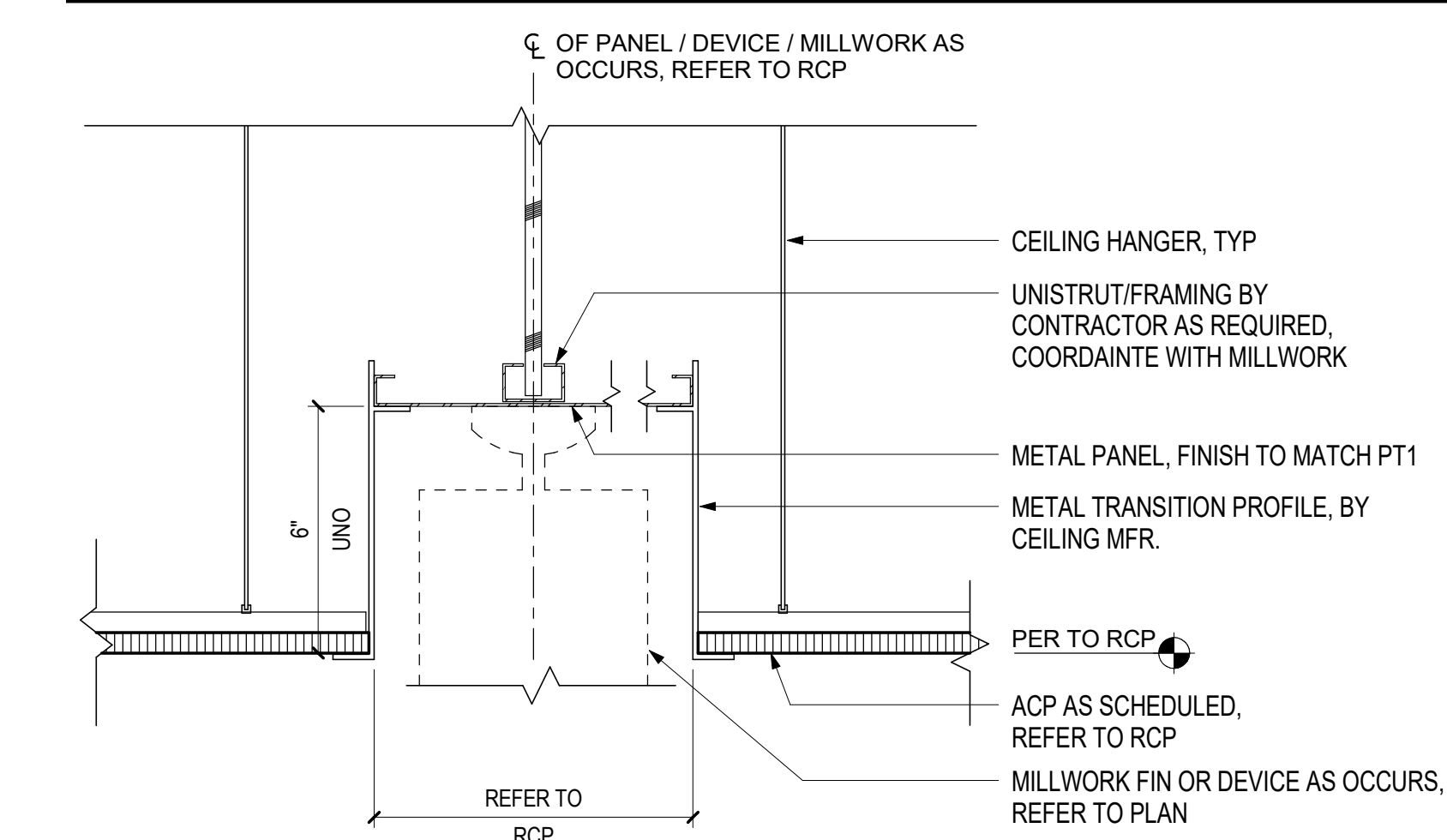
01 RECESSED LIGHT @ RESTROOMS  
SCALE: 3" = 1'-0"



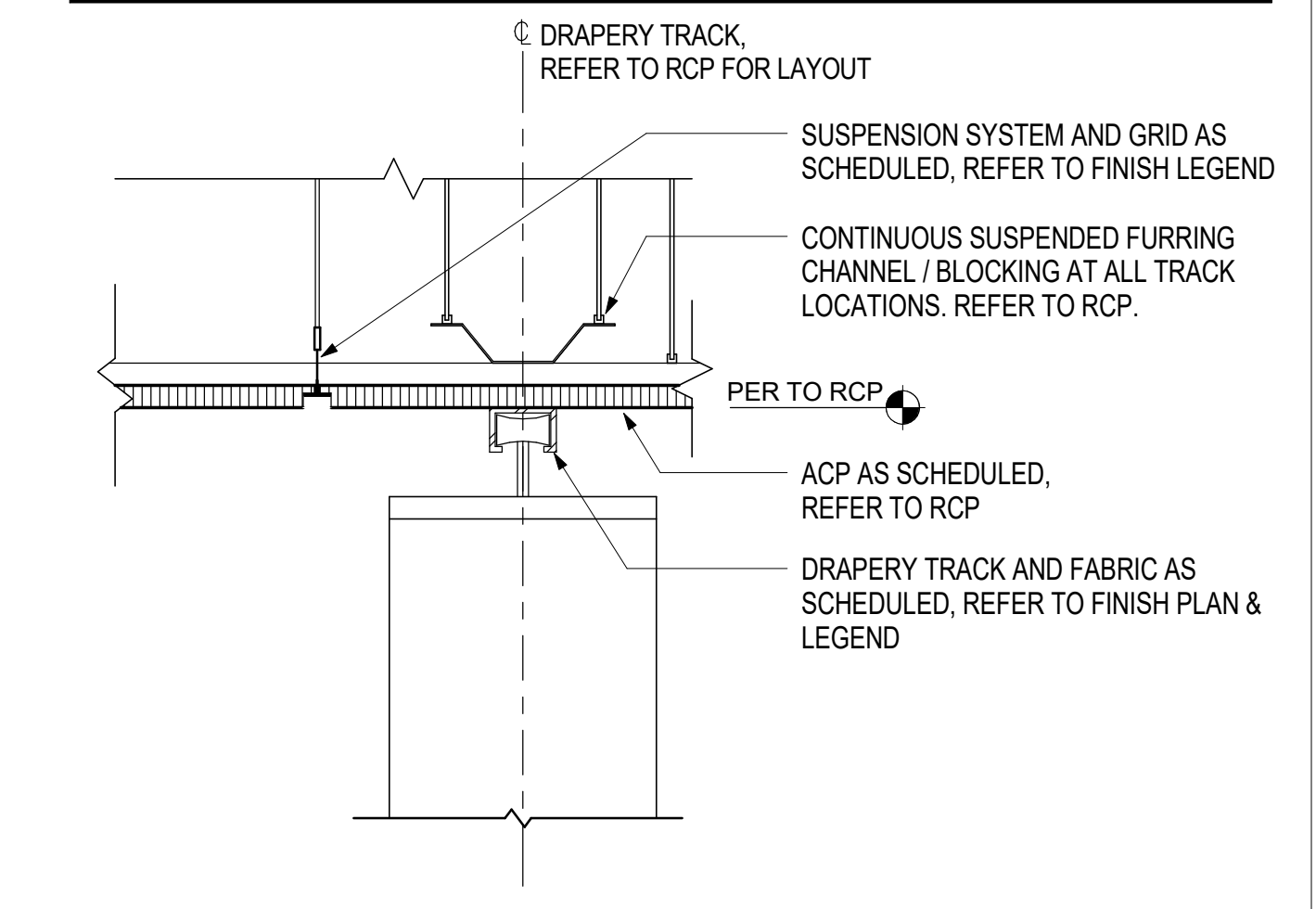
14 CEILING DETAIL - GYP HEADER  
SCALE: 3" = 1'-0"



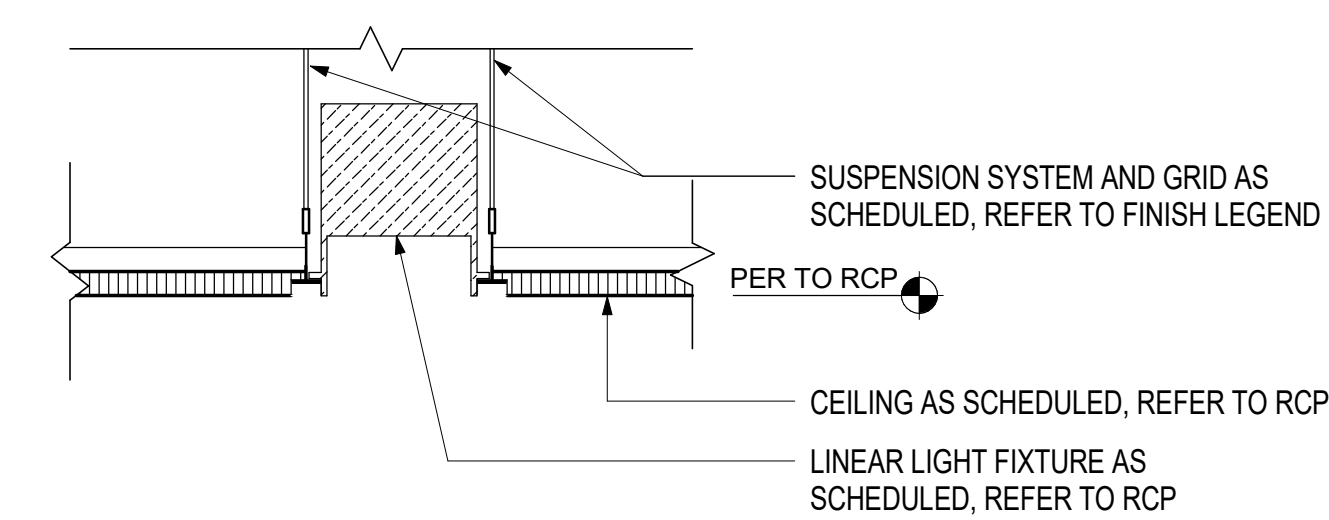
10 TYP CLG DTL - ACP TO GWB STEPPED TRANSITION  
SCALE: 3" = 1'-0"



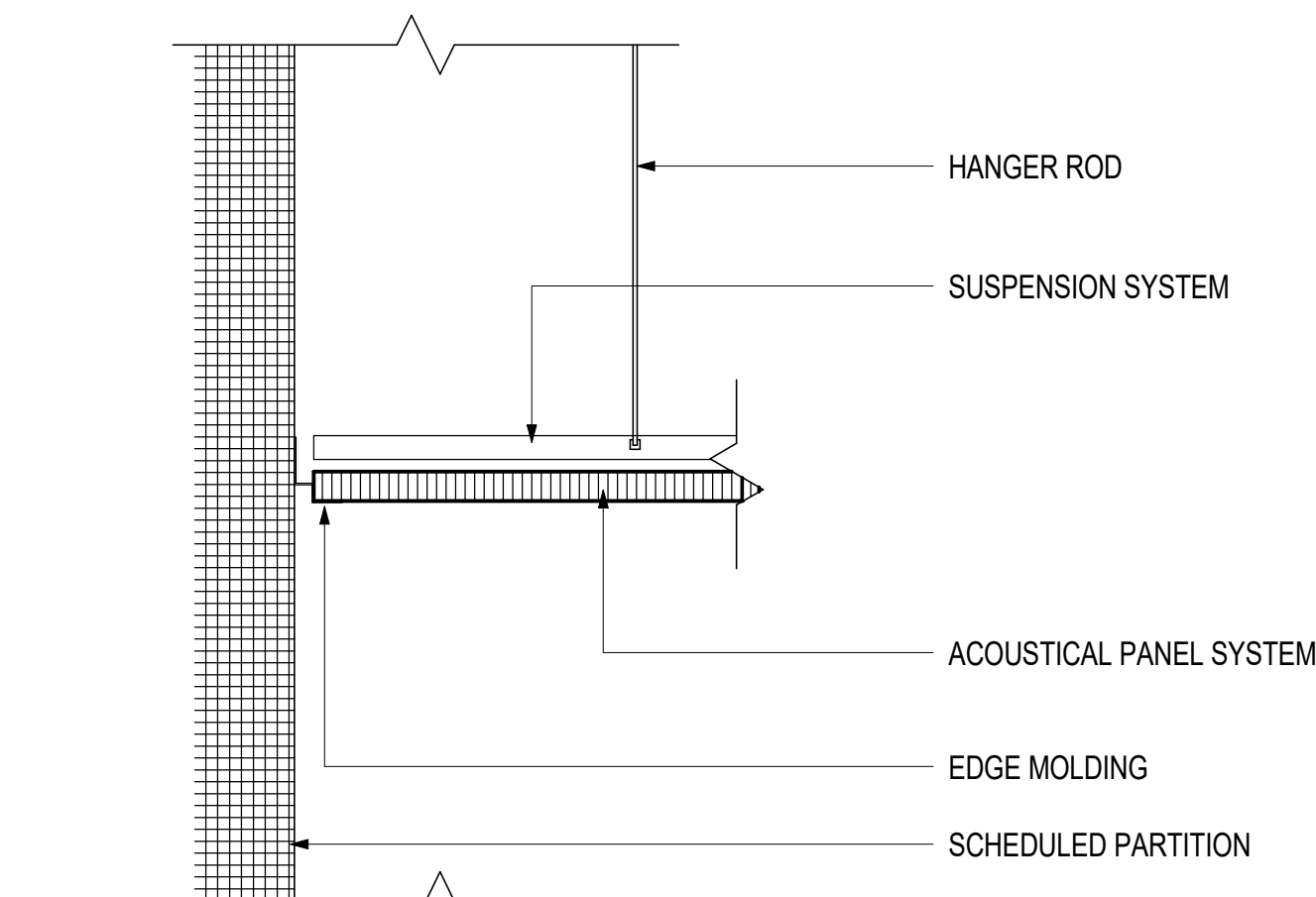
06 CLG DTL - METAL PANEL RECESS  
SCALE: 3" = 1'-0"



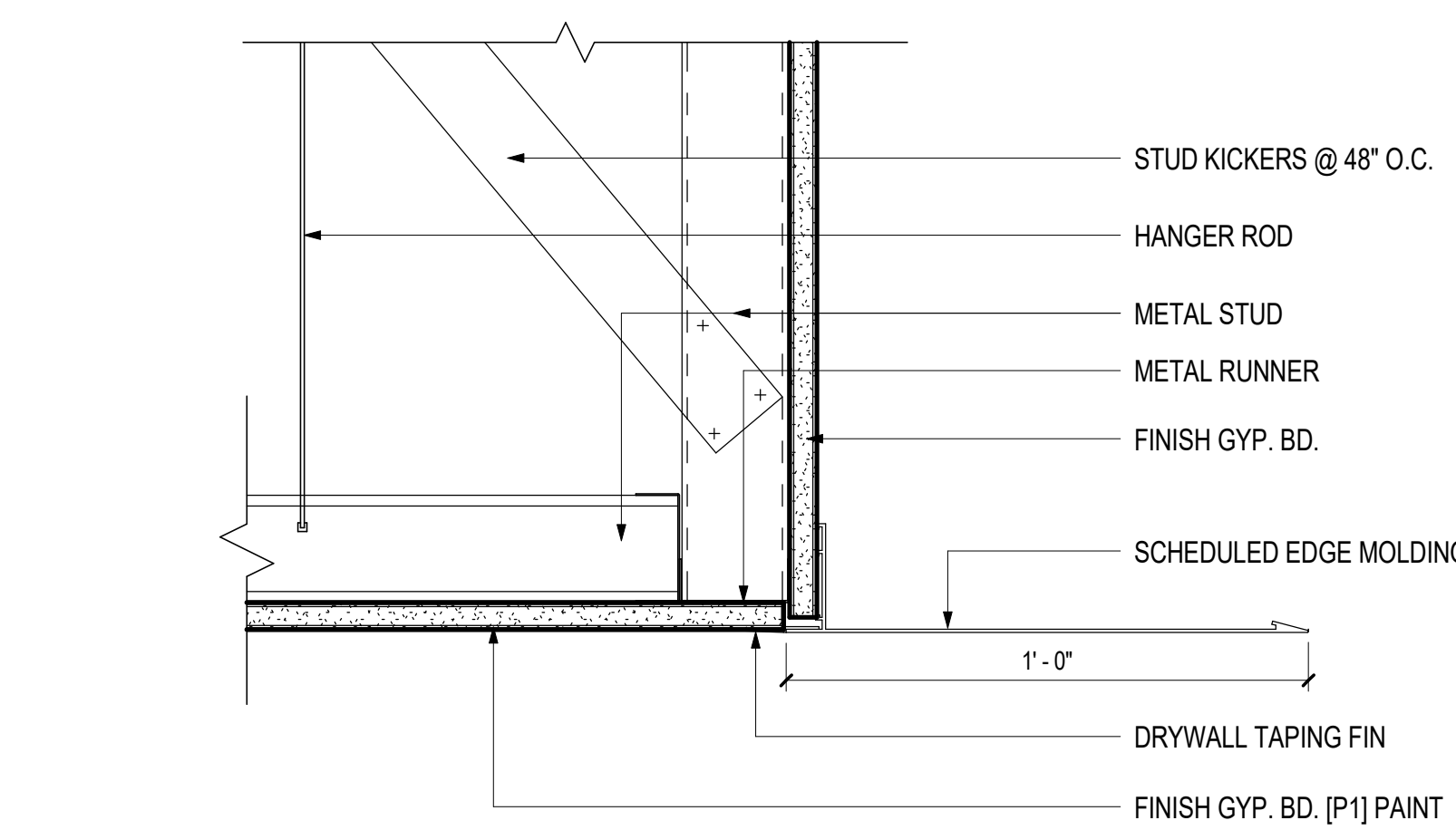
02 TYP CLG DTL - DRAPERY CURTAIN TRACK  
SCALE: 3" = 1'-0"



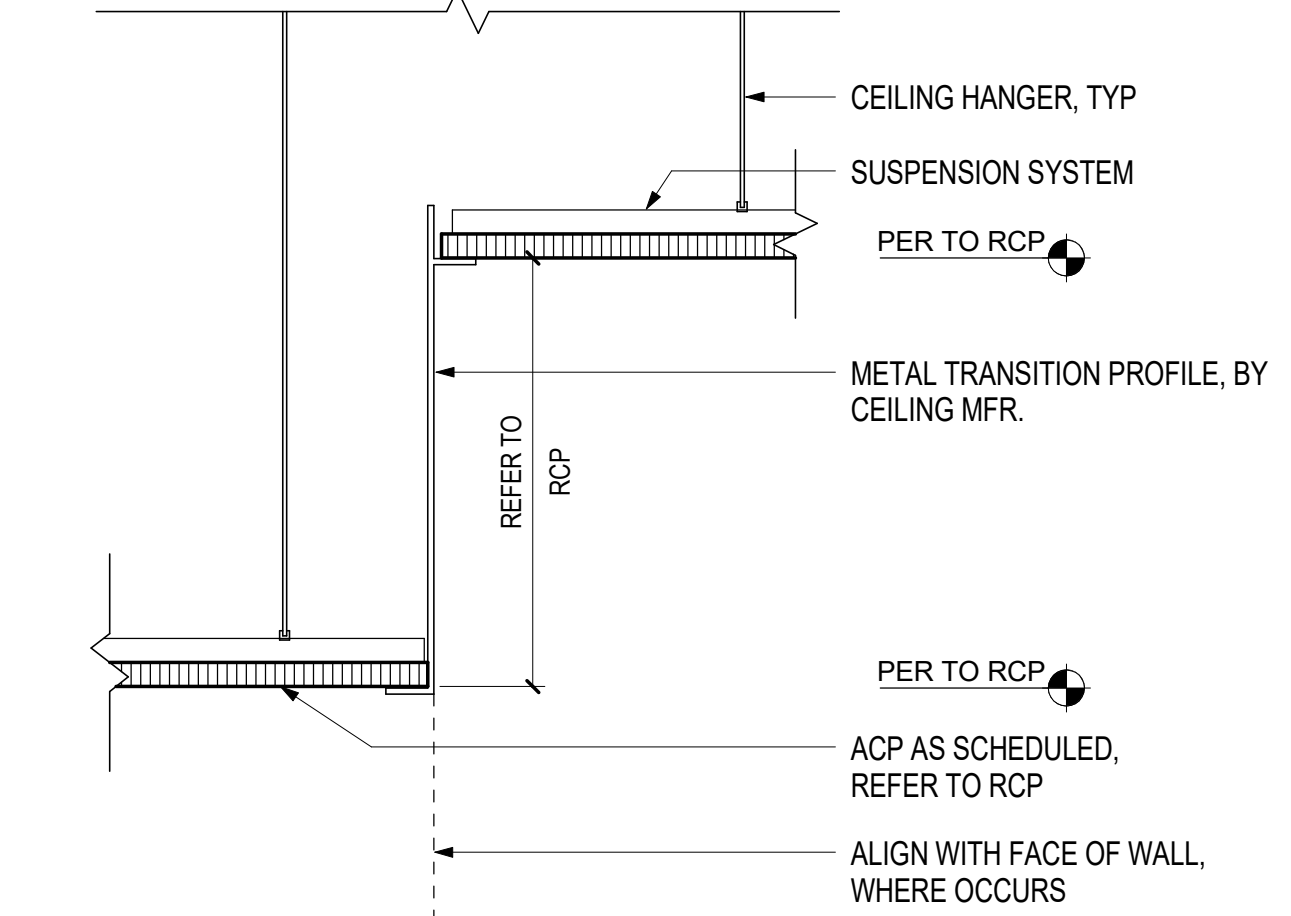
15 TYP CLG DTL - LINEAR LIGHT @ ACT CEILING  
SCALE: 3" = 1'-0"



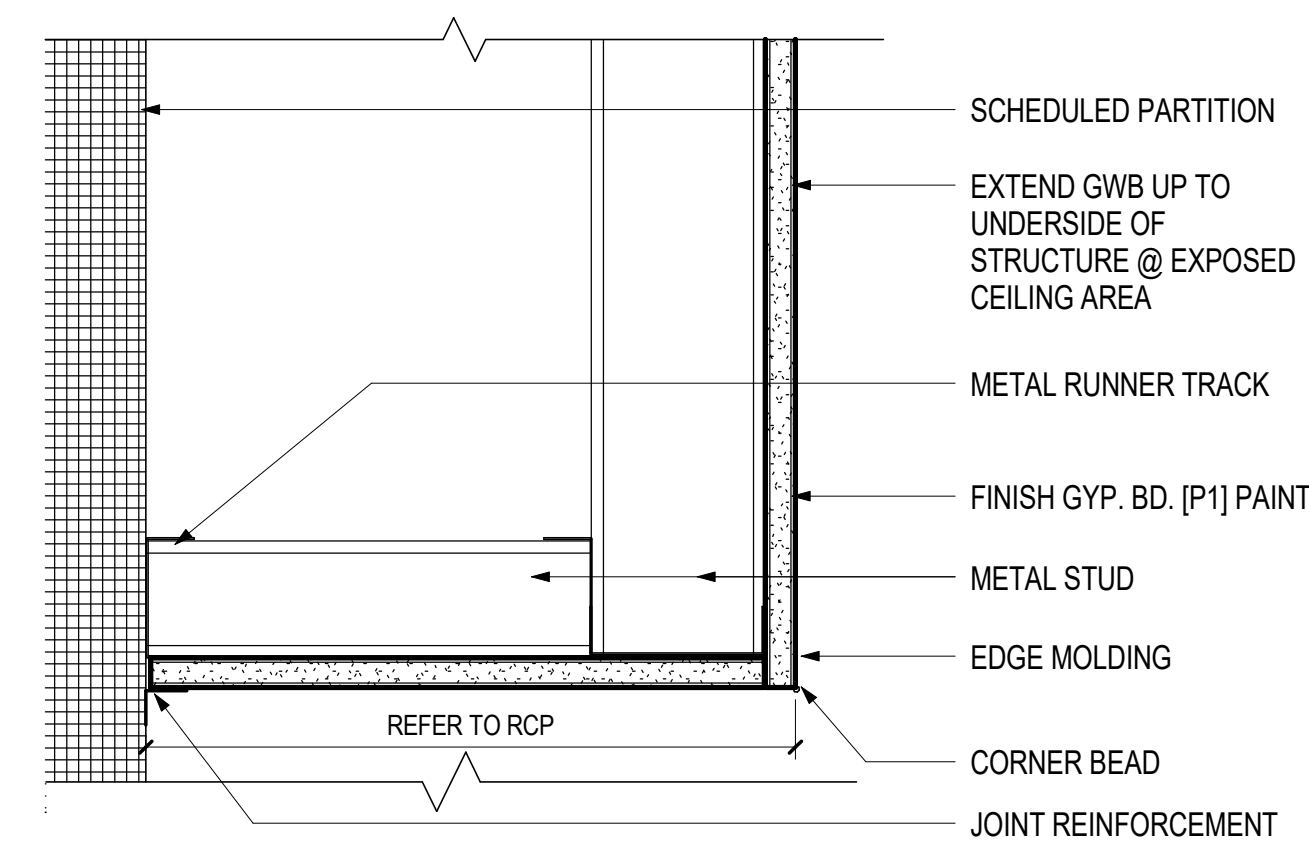
11 TYPICAL CEILING DETAIL - WALL TO APC  
SCALE: 3" = 1'-0"



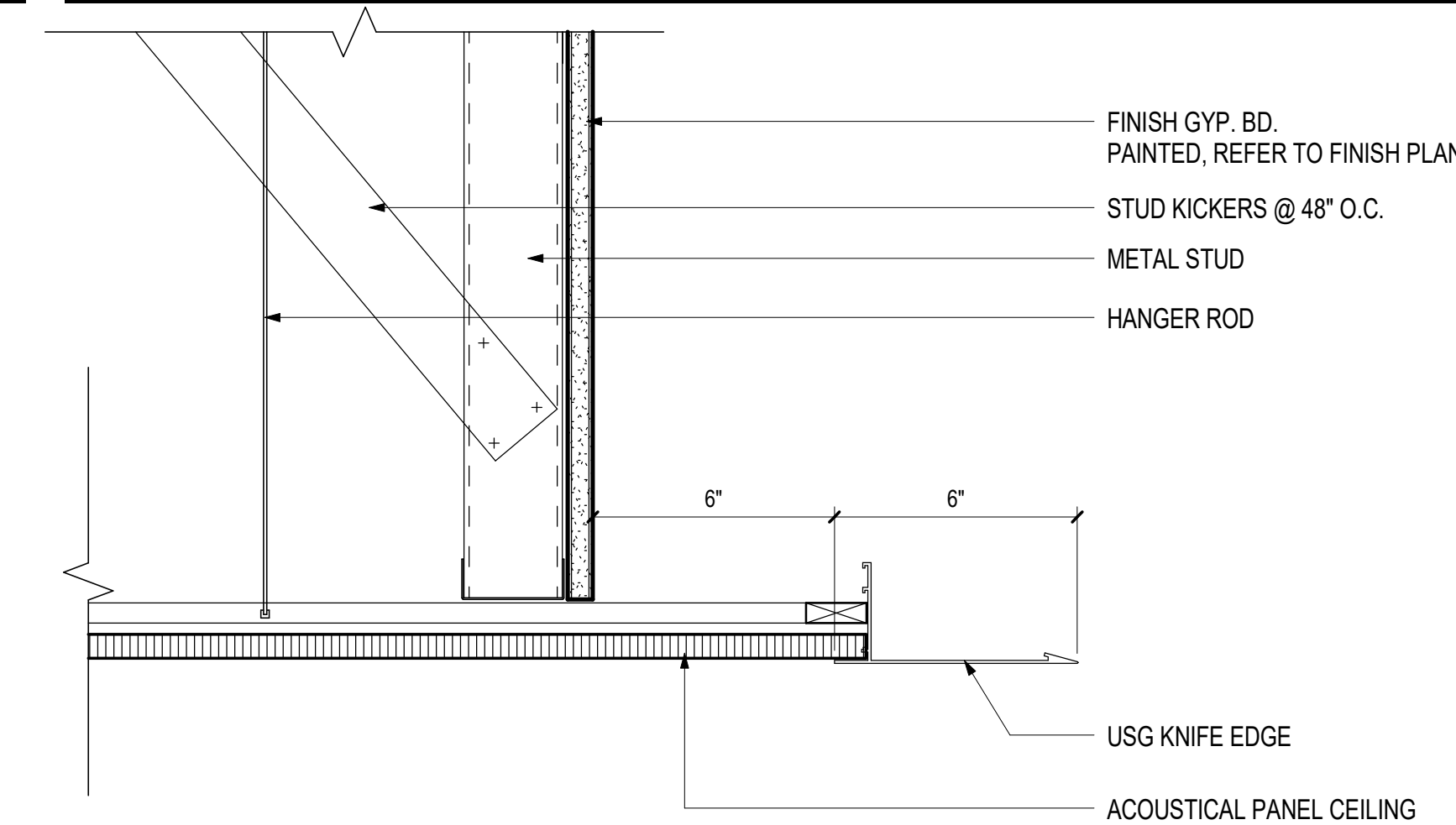
07 CEILING DETAIL - PERIMETER OPEN CEILING EDGE  
SCALE: 3" = 1'-0"



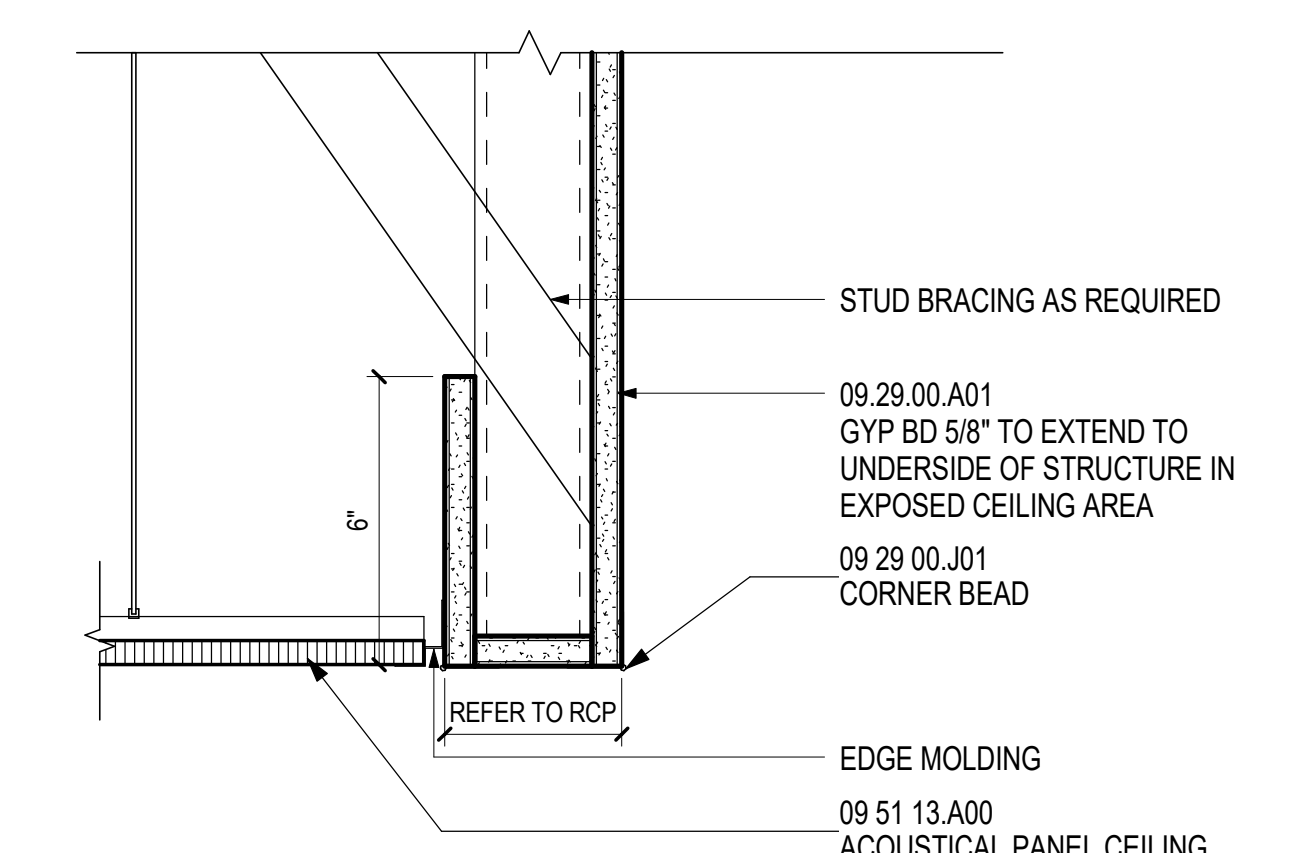
03 TYP CLG DTL - ACP TO ACP STEP  
SCALE: 3" = 1'-0"



12 CEILING DETAIL - PERIMETER OPEN CEILING GWB  
SCALE: 3" = 1'-0"



08 CEILING DETAIL - APC WITH GYP TO DECK  
SCALE: 3" = 1'-0"



04 CLG DTL - GYP HEADER TO OPEN CEILING  
SCALE: 3" = 1'-0"