

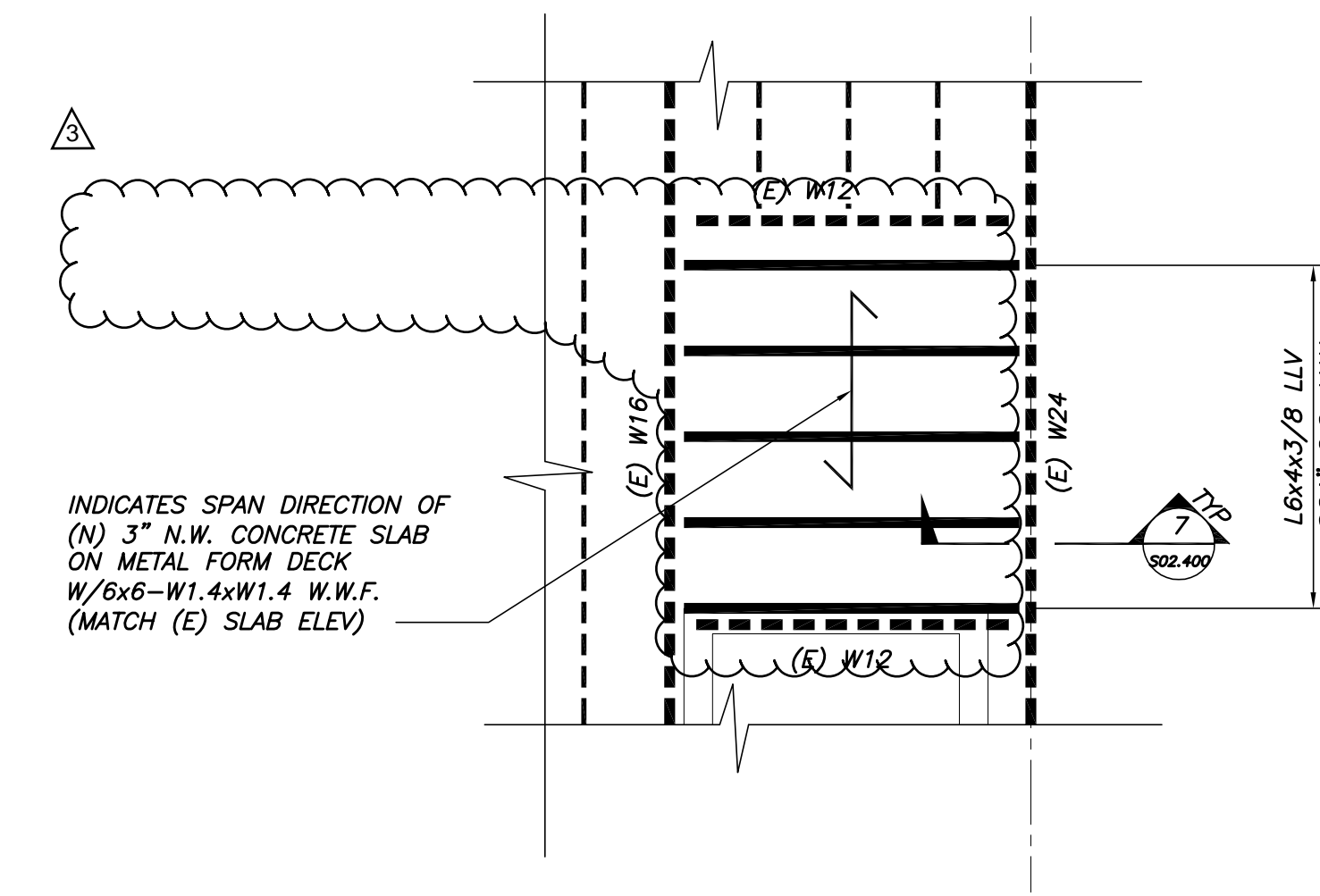
Date	Description
2 08/01/17	ADDENDUM #2
3 08/06/17	ADDENDUM #3

Seal / Signature

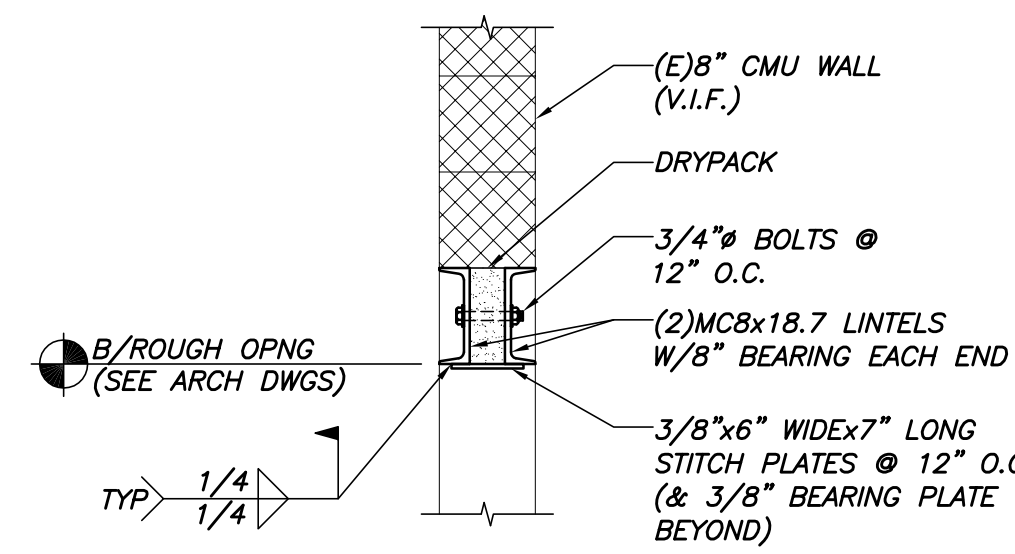
Project Name  
Unum Workplace  
Transformation- Phase 1 (HO2)  
Project Number  
59.6481.003  
Description  
FRAMING SECTIONS AND DETAILS

Scale  
As indicated

S02.400

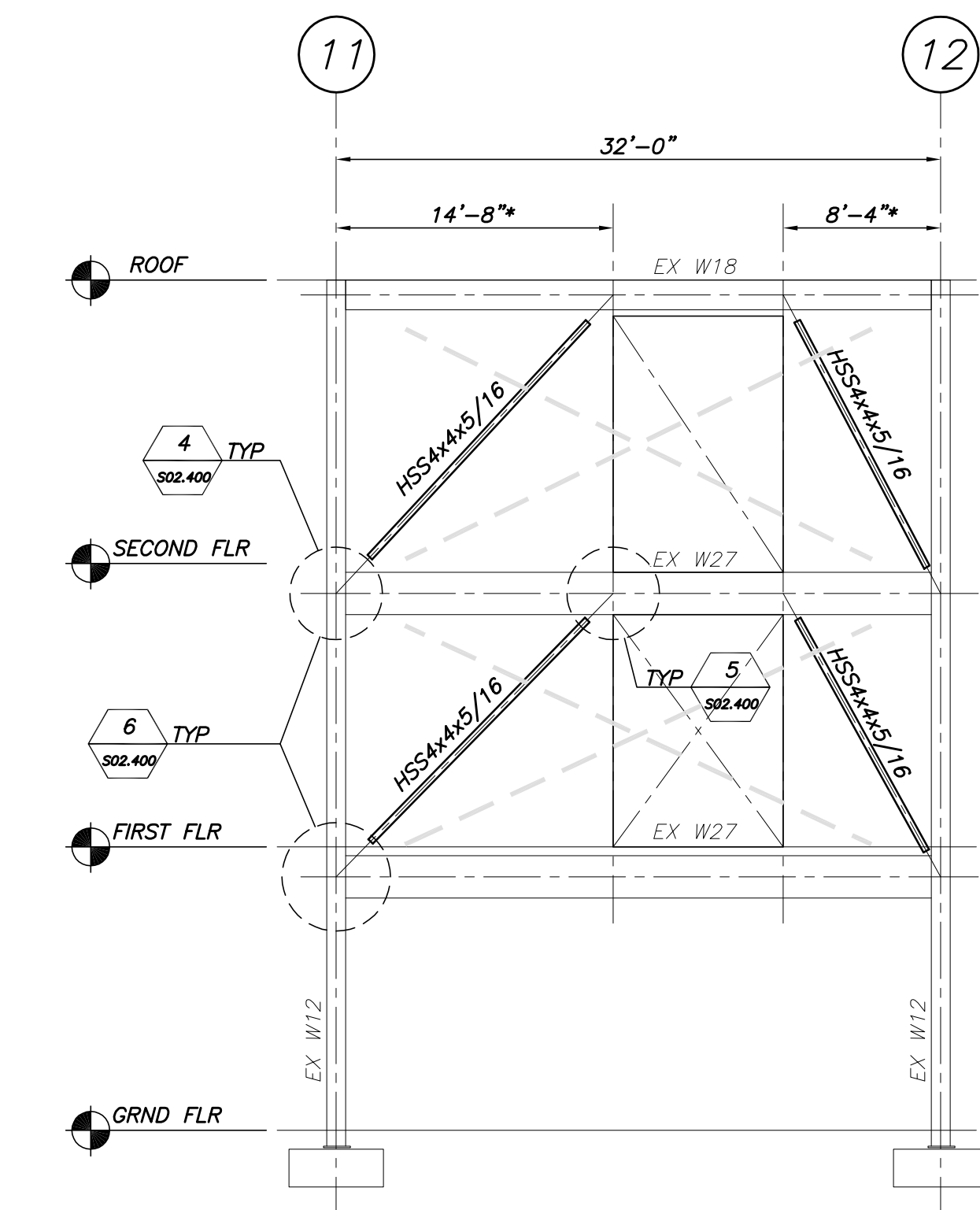


FLOOR INFILL PARTIAL PLAN AT FORMER ELEVATOR SHAFT  
N.T.S. 1 S02.101



- DOUBLE CHANNEL LINTEL INSTALLATION SEQUENCE:**
- CUT HORIZONTAL SLOT IN THE (E) CMU WALL, AND REMOVE MASONRY ON ONE FACE OF WALL FOR HALF OF THE THICKNESS OF THE WALL TO THE DEPTH OF THE CHANNEL SHAPE AND GROUT TO BE INSTALLED. REMOVE MASONRY ONLY TO THE EXTENT NECESSARY TO INSTALL THE NEW LINTEL. PROVIDE FOR 8\"/>
  - GROUT SOLID TWO COURSES DEEP AT BEARING ENDS.
  - SHIM LINTEL AT BEARING ENDS TO MASONRY BELOW WITH STEEL PLATES AS REQUIRED. DRY PACK SUCH THAT LOAD FROM WALL ABOVE IS TRANSFERRED TO THE WALL.
  - REPEAT PROCEDURES DESCRIBED ABOVE ON THE OPPOSITE HALF OF THE WALL FOR INSTALLATION OF THE SECOND CHANNEL.
  - REMOVE WALL BELOW LINTEL.

SECTION AT LINTEL FOR OPENING IN (E) CMU WALL  
N.T.S. 2 S02.101, S02.102

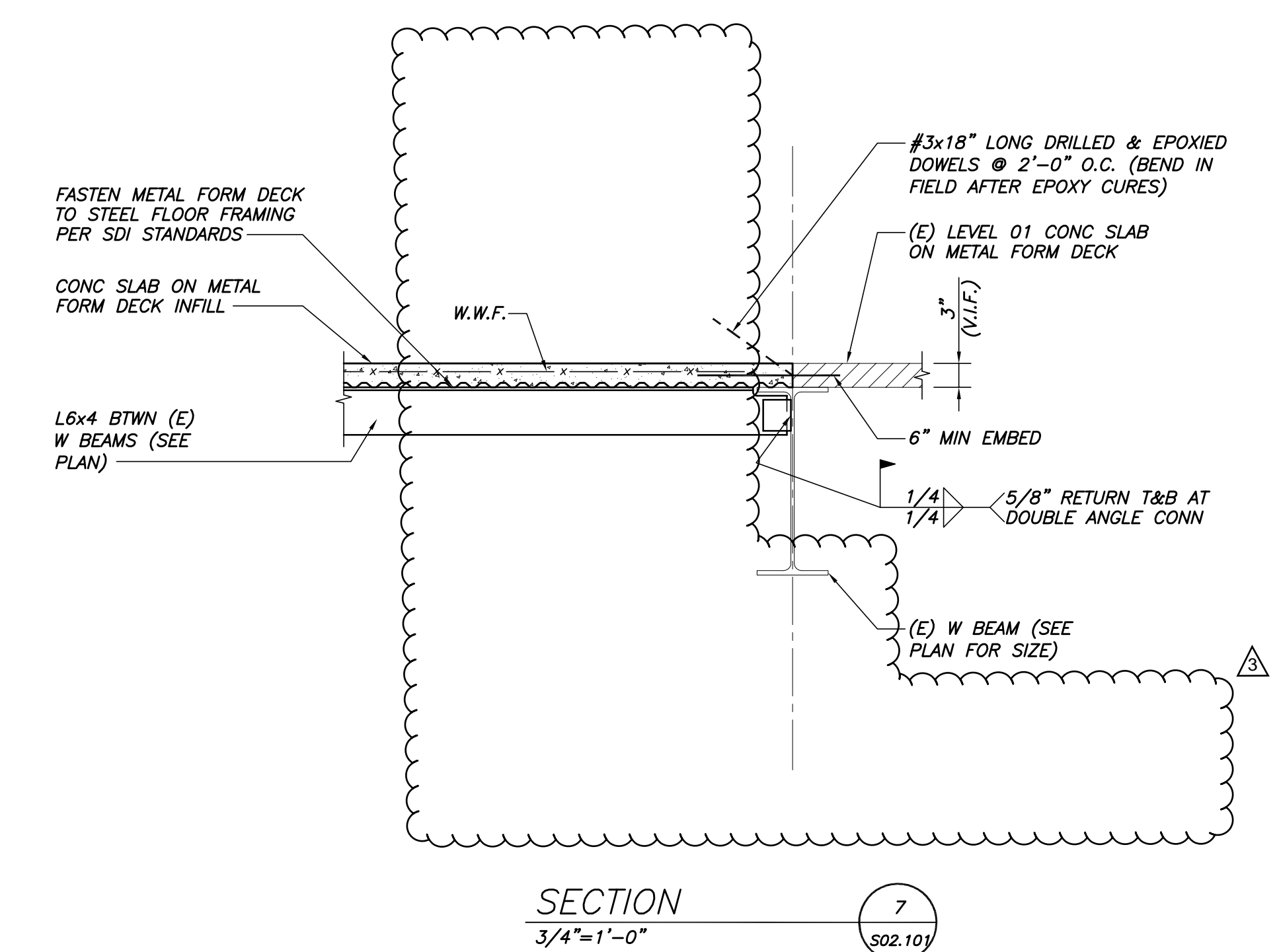
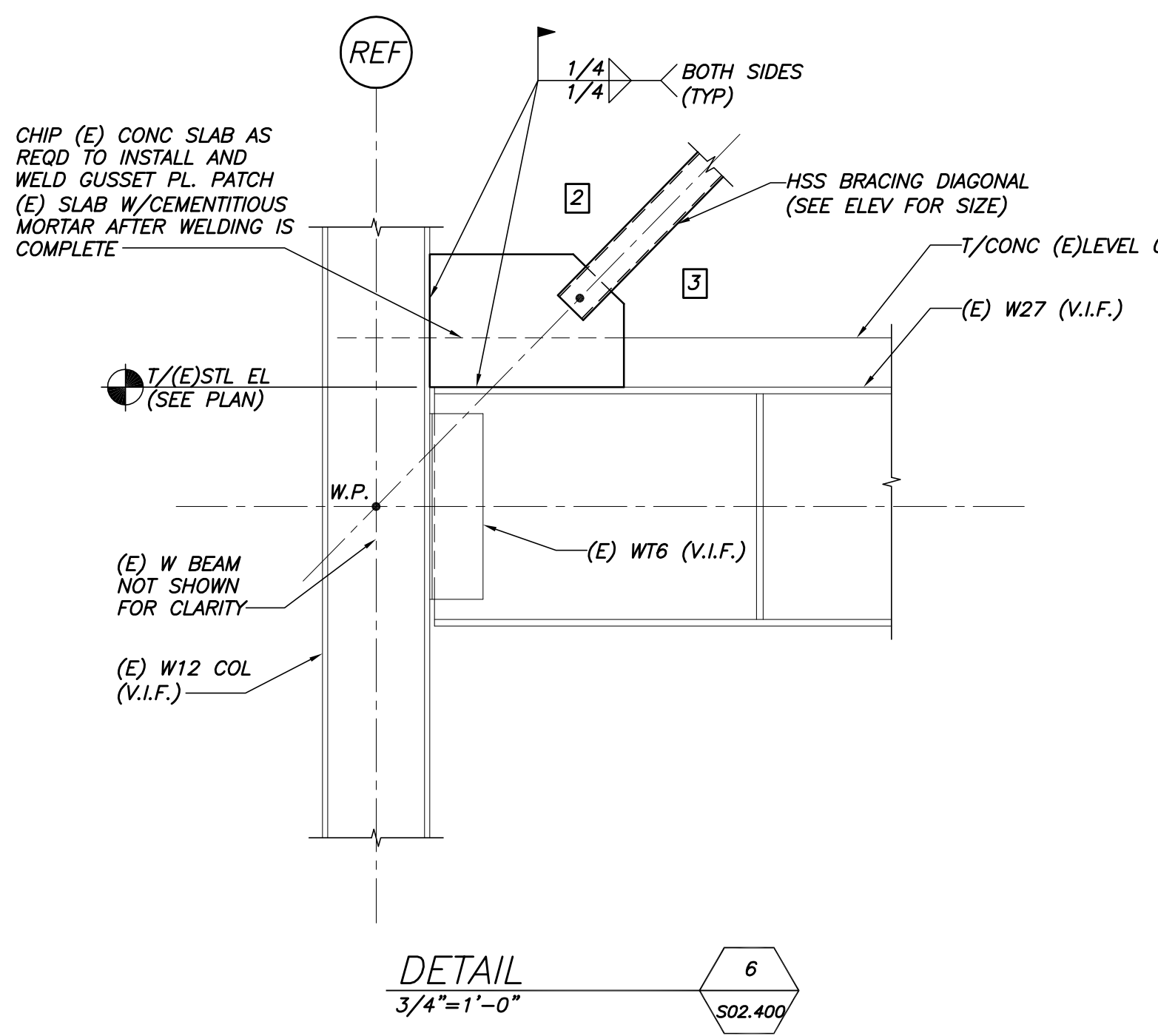
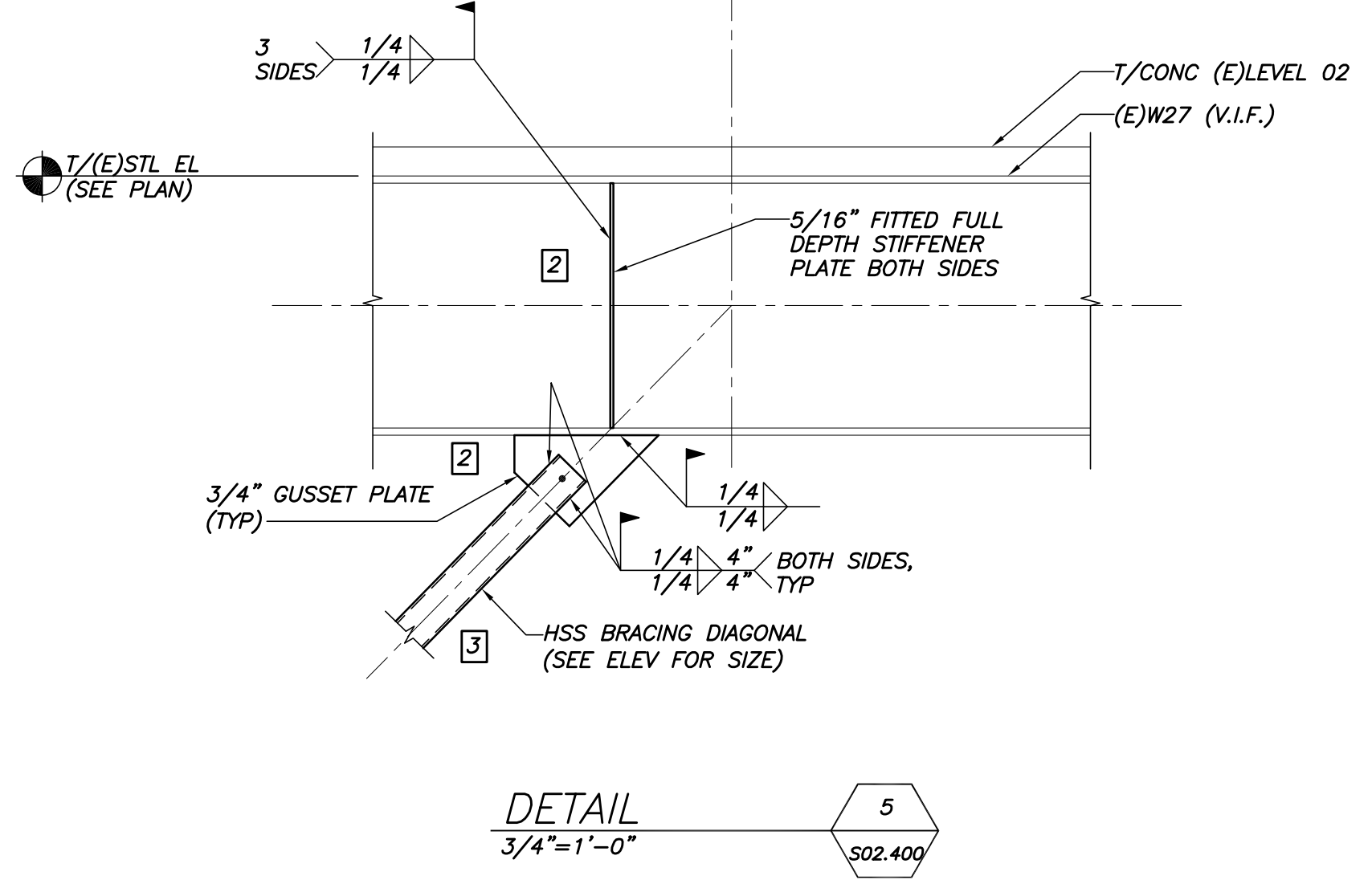
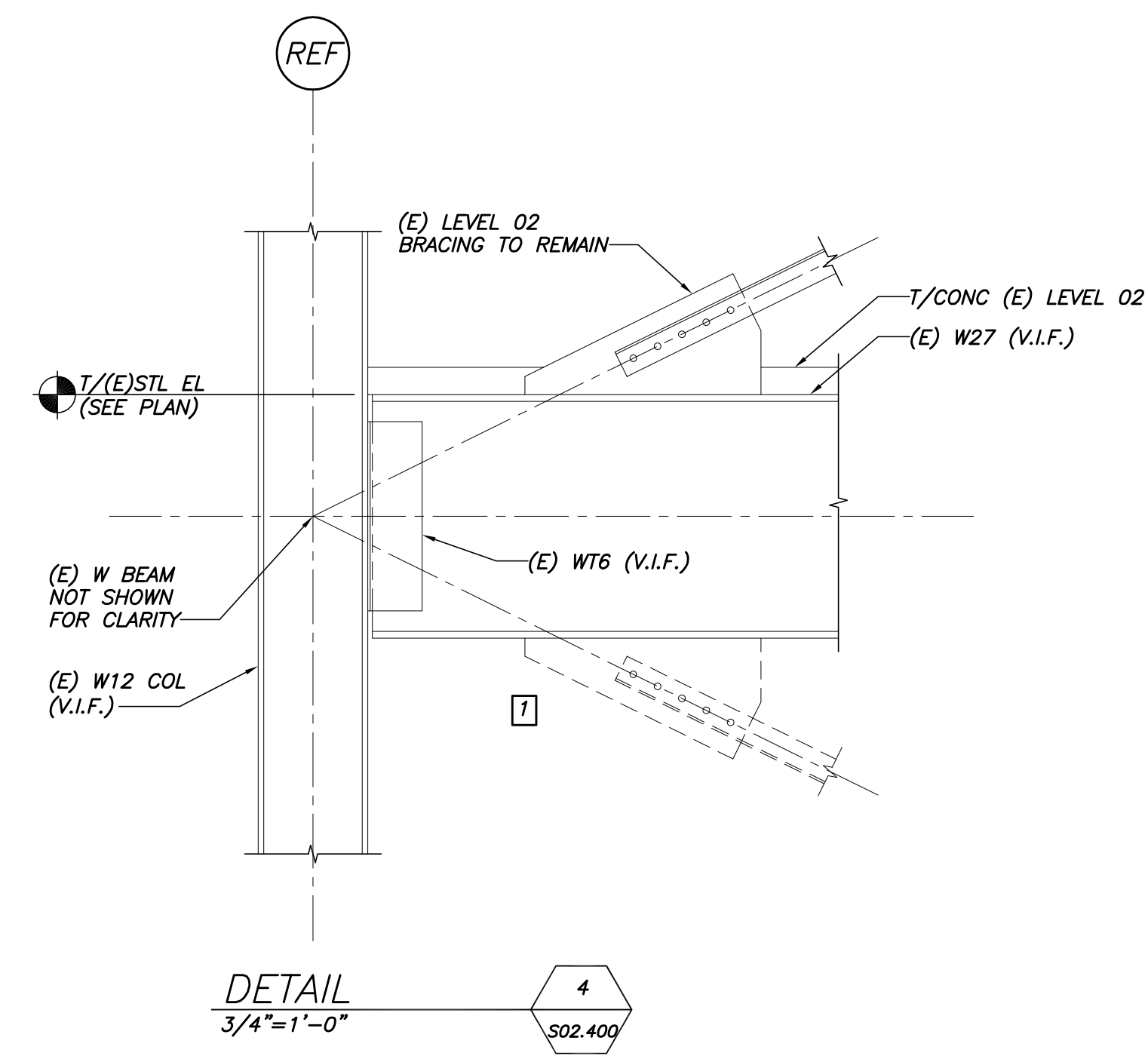


**BRACED FRAME ALTERATION SEQUENCE NOTES:**

- BURN OFF AND REMOVE (E) DOUBLE ANGLE BRACING MEMBERS AND GUSSET PLATES BETWEEN LEVEL 01, LEVEL 02 AND ROOF. CHIP (E) LEVEL 01 AND LEVEL 02 CONCRETE SLAB AS REQUIRED FOR (N) GUSSET PLATES INSTALLATION.
- INSTALL AND WELD (N) GUSSET PLATES AND STIFFENER PLATES TO (E) STRUCTURE.
- INSTALL (N) HSS BRACING DIAGONALS & WELD AFTER ALIGNMENT.

MODIFIED BRACED FRAME AT E-LINE  
N.T.S. 3 S02.101, S02.102

NOTES:  
1. \* INDICATES DIMENSION TO BE FIELD VERIFIED WITH NEW OPENING.



G:\projects\Revit\Revit\596481\596481\_003 - UNUM - PORTLAND - HO2 - 2016\_25571.rvt 8/30/2017 1:52:26 PM I:\gensler\ad\project\Revit\596481\596481\_003 - UNUM - PORTLAND - HO2 - 2016\_25571.rvt

**SHEET NOTES**

**GENERAL NOTES**

**KEY PLAN**

