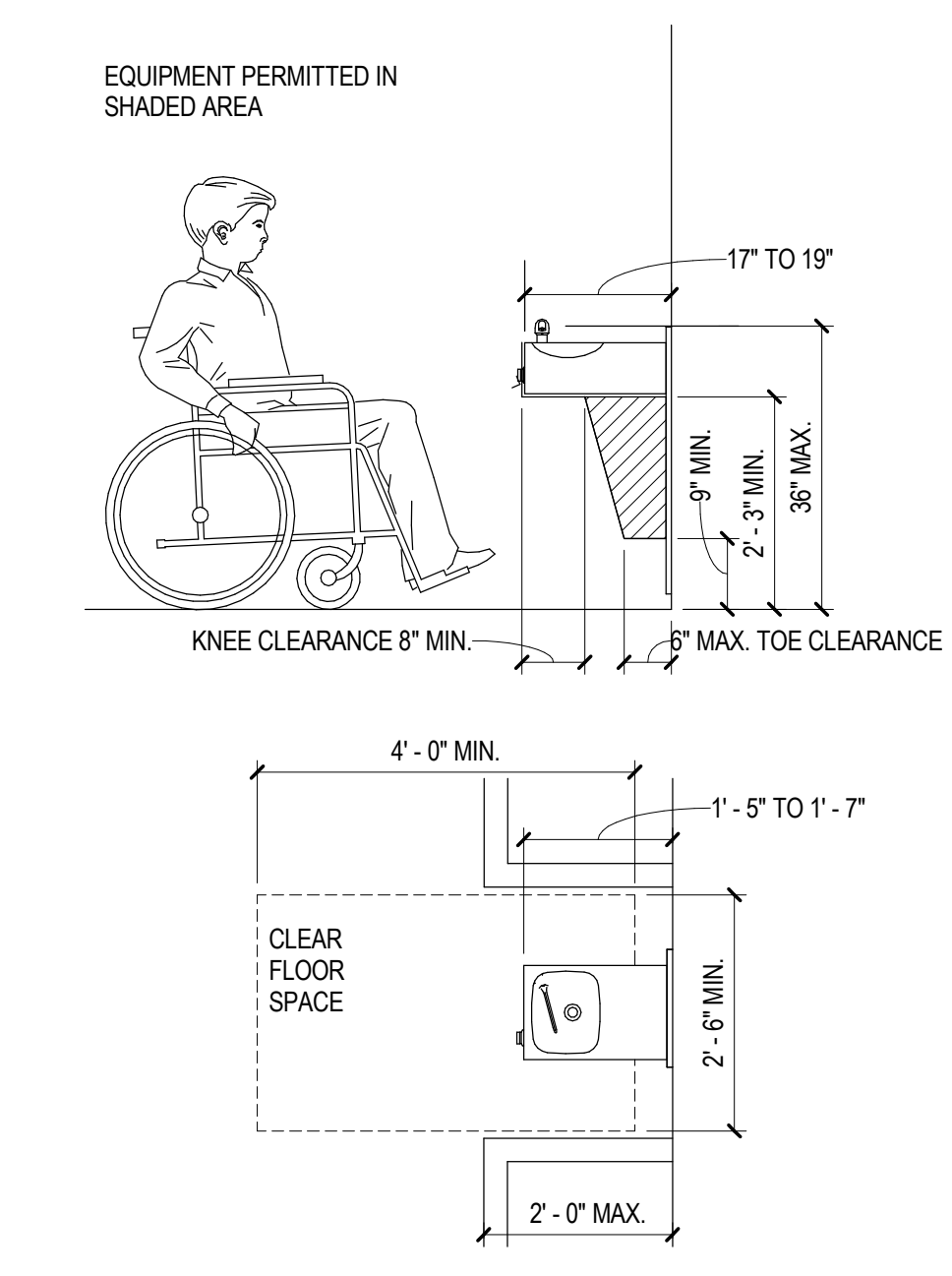
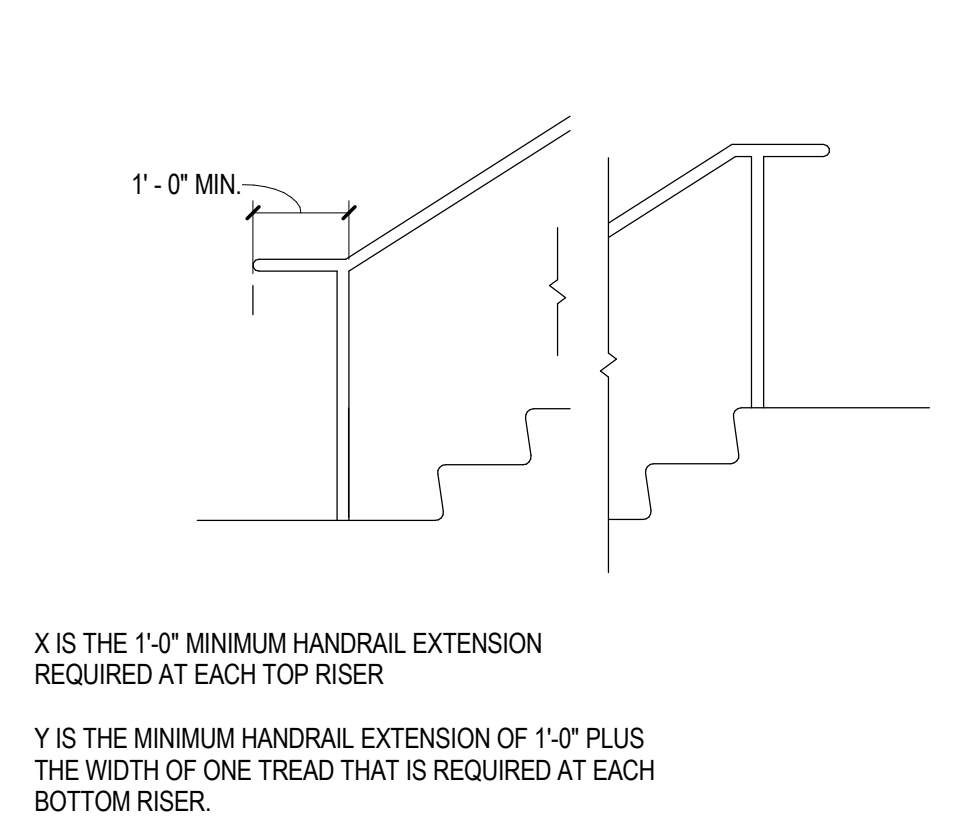


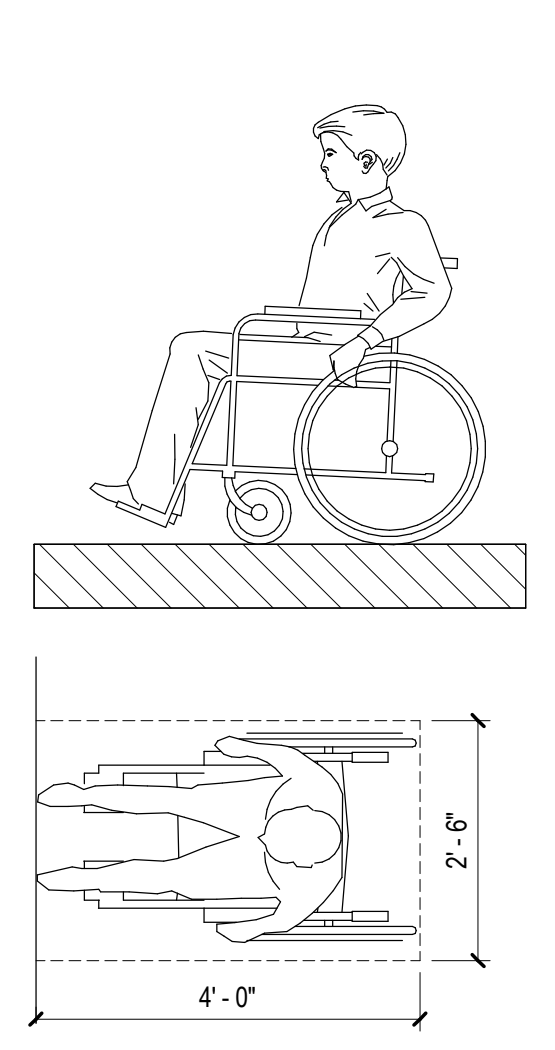
SINK OR VANITY
SCALE: 1/2" = 1'-0"



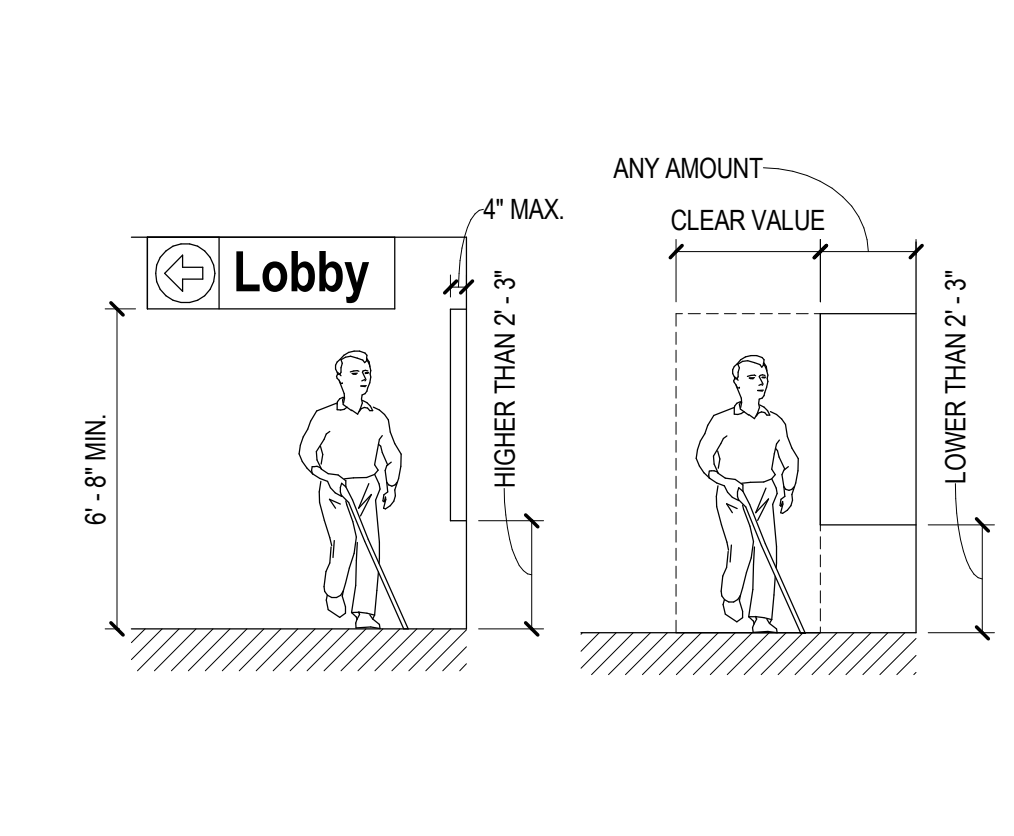
DRINKING FOUNTAIN
SCALE: 1/2" = 1'-0"



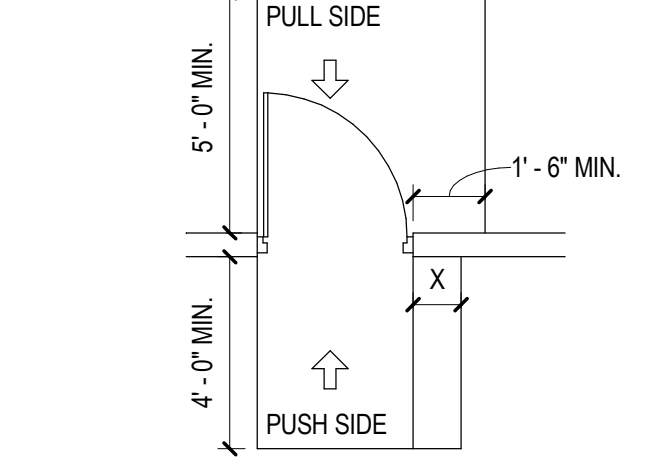
HANDRAIL EXTENSIONS
SCALE: 1/2" = 1'-0"



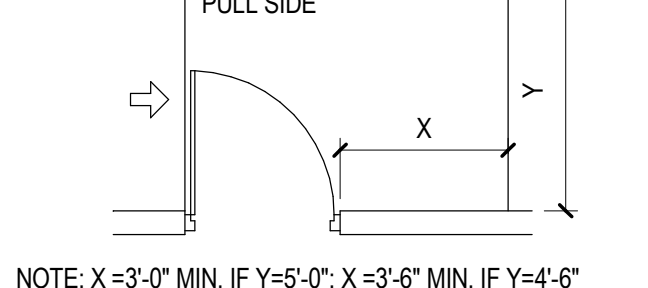
REACH RANGES/CLR FLR
SCALE: 1/2" = 1'-0"



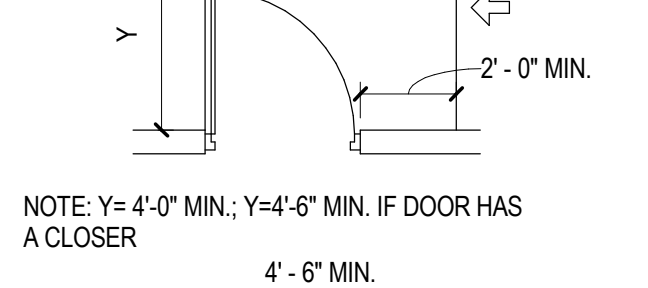
PROTRUDING OBJECTS
SCALE: 1/4" = 1'-0"



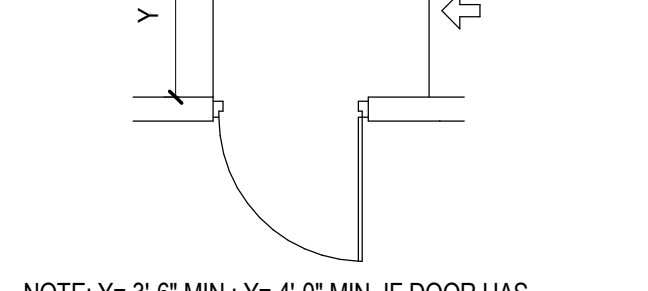
NOTE: X = 1'-0" IF DOOR HAS BOTH A CLOSER AND A LATCH



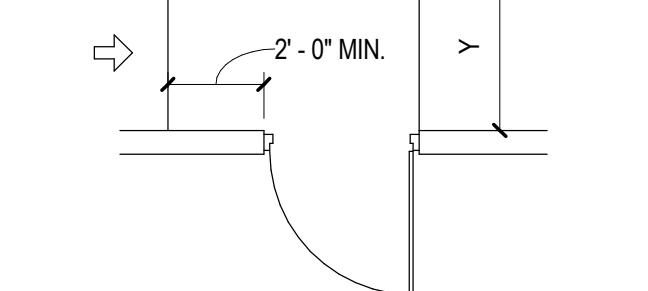
NOTE: X = 3'-0" MIN. IF Y = 5'-0"; X = 3'-6" MIN. IF Y = 4'-6"



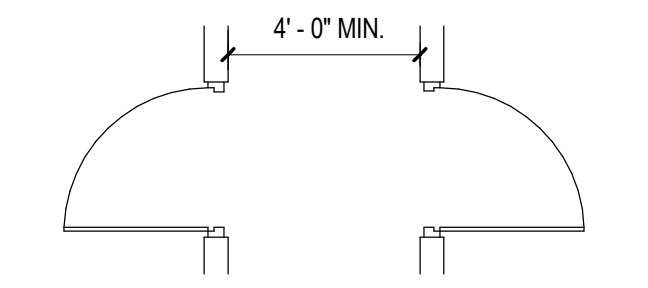
NOTE: Y = 4'-0" MIN.; Y = 4'-6" MIN. IF DOOR HAS A CLOSER



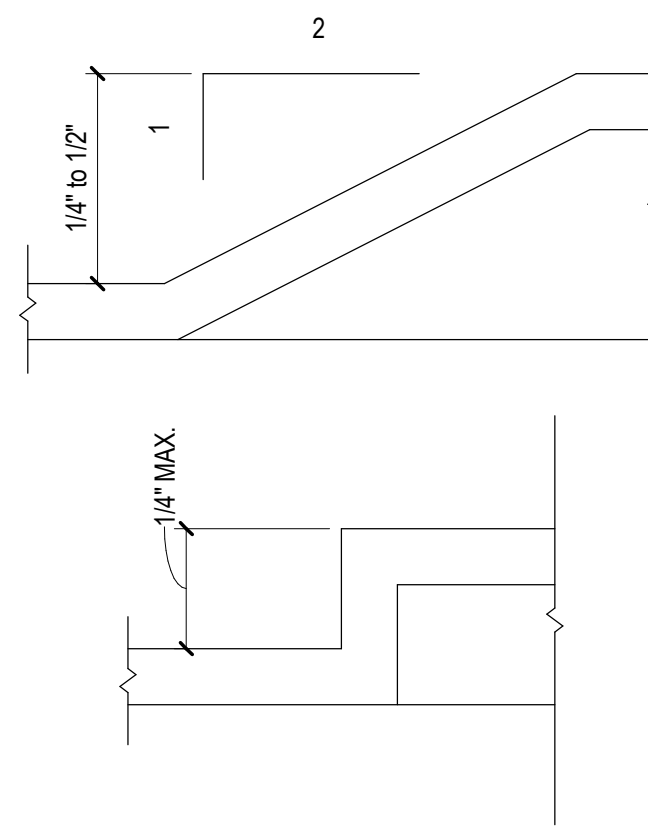
NOTE: Y = 3'-6" MIN.; Y = 4'-0" MIN. IF DOOR HAS A CLOSER



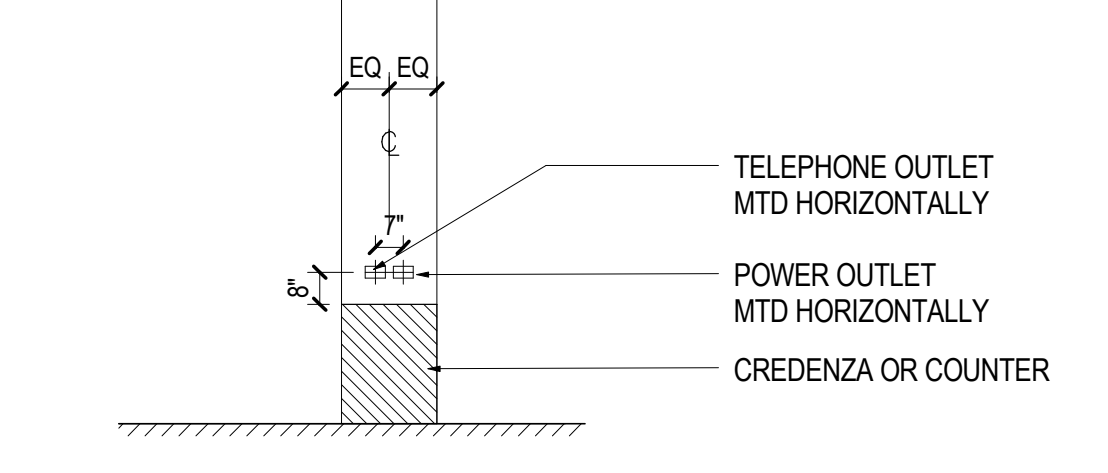
NOTE: Y = 3'-6" MIN.; Y = 4'-0" MIN. IF DOOR HAS A CLOSER



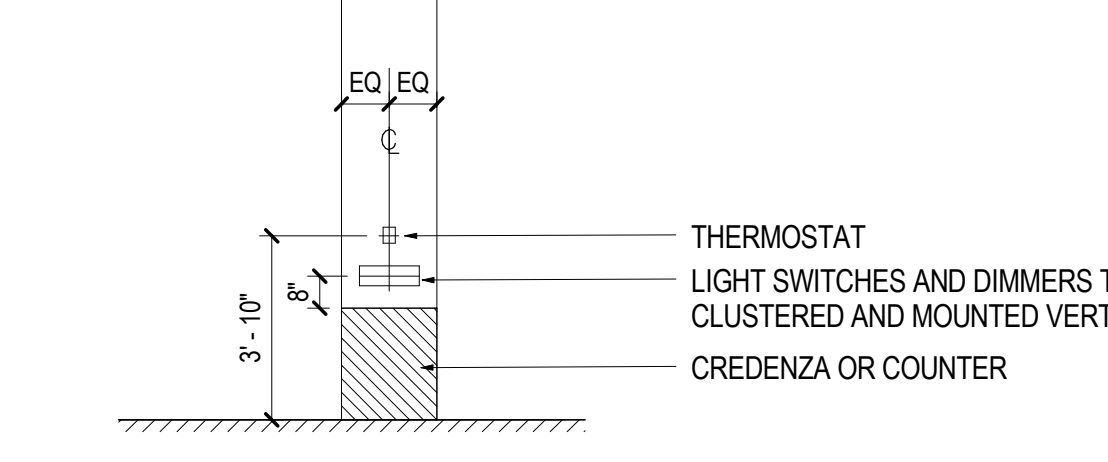
CLEARANCES
SCALE: 1/4" = 1'-0"



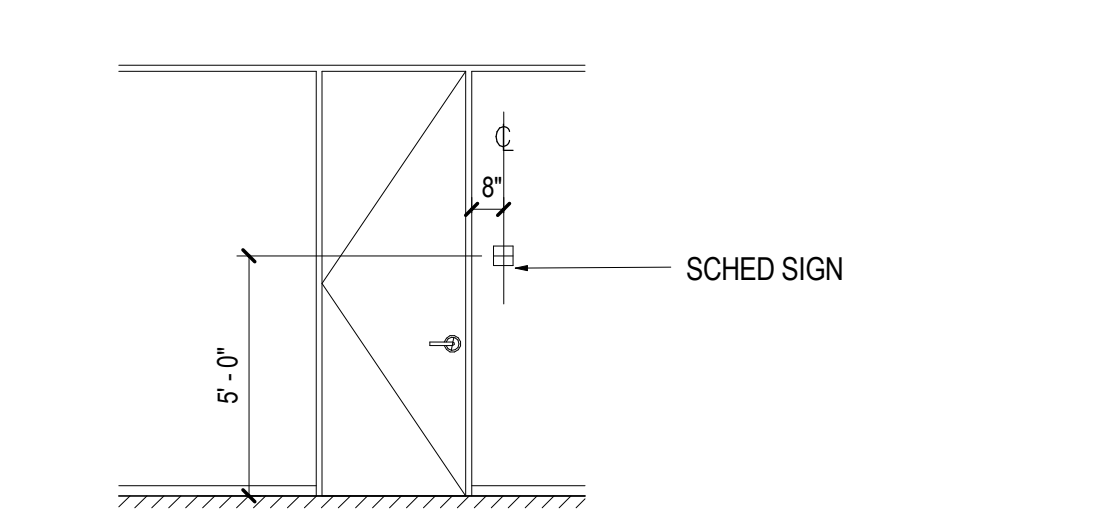
LEVEL CHANGES
SCALE: 1'-0" = 1'-0"



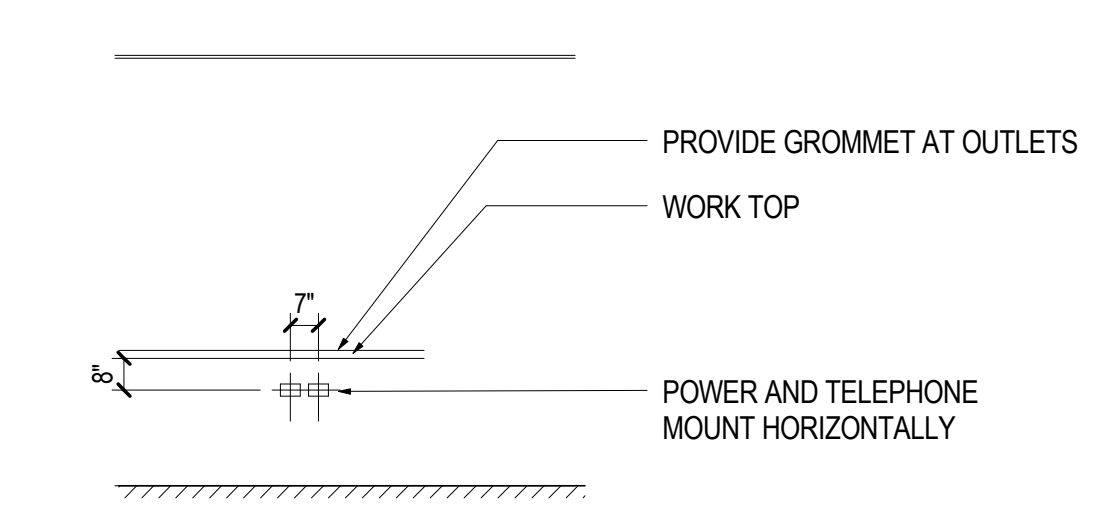
17 LOCATIONS at CRENZAS or COUNTERS OUTLETS



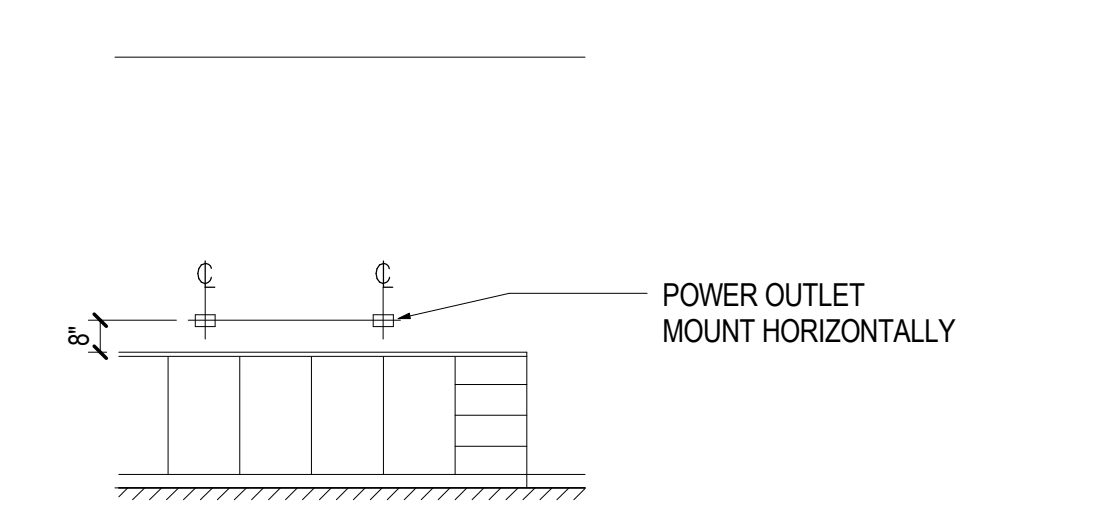
18 LOCATIONS at CRENZAS or COUNTERS SWITCHES and THERMOSTATS



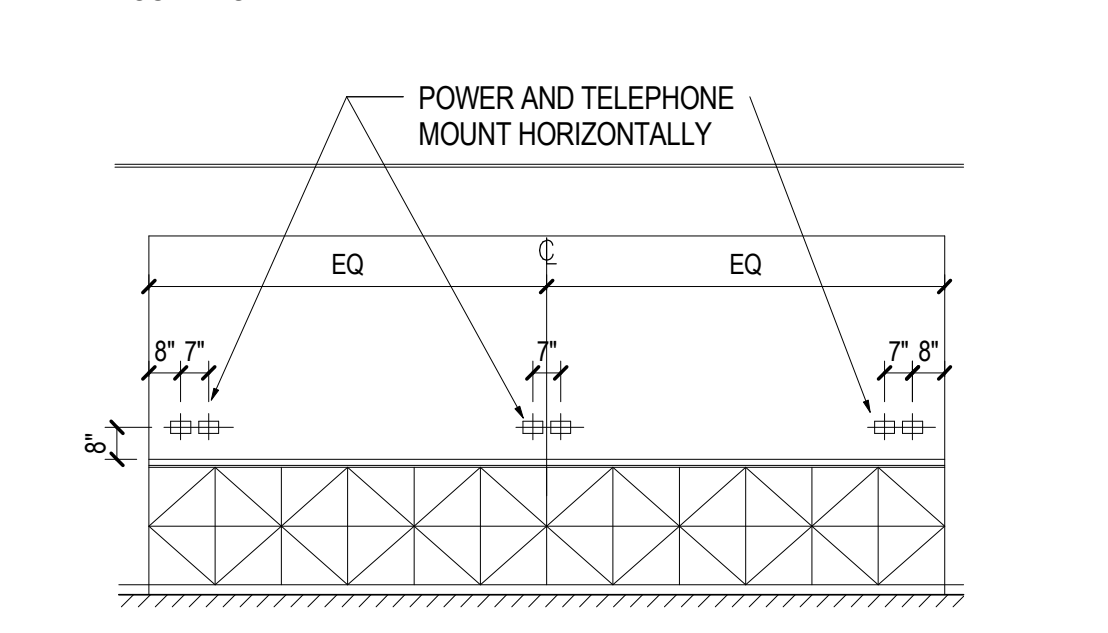
19 LOCATION FOR TYPICAL SIGNS



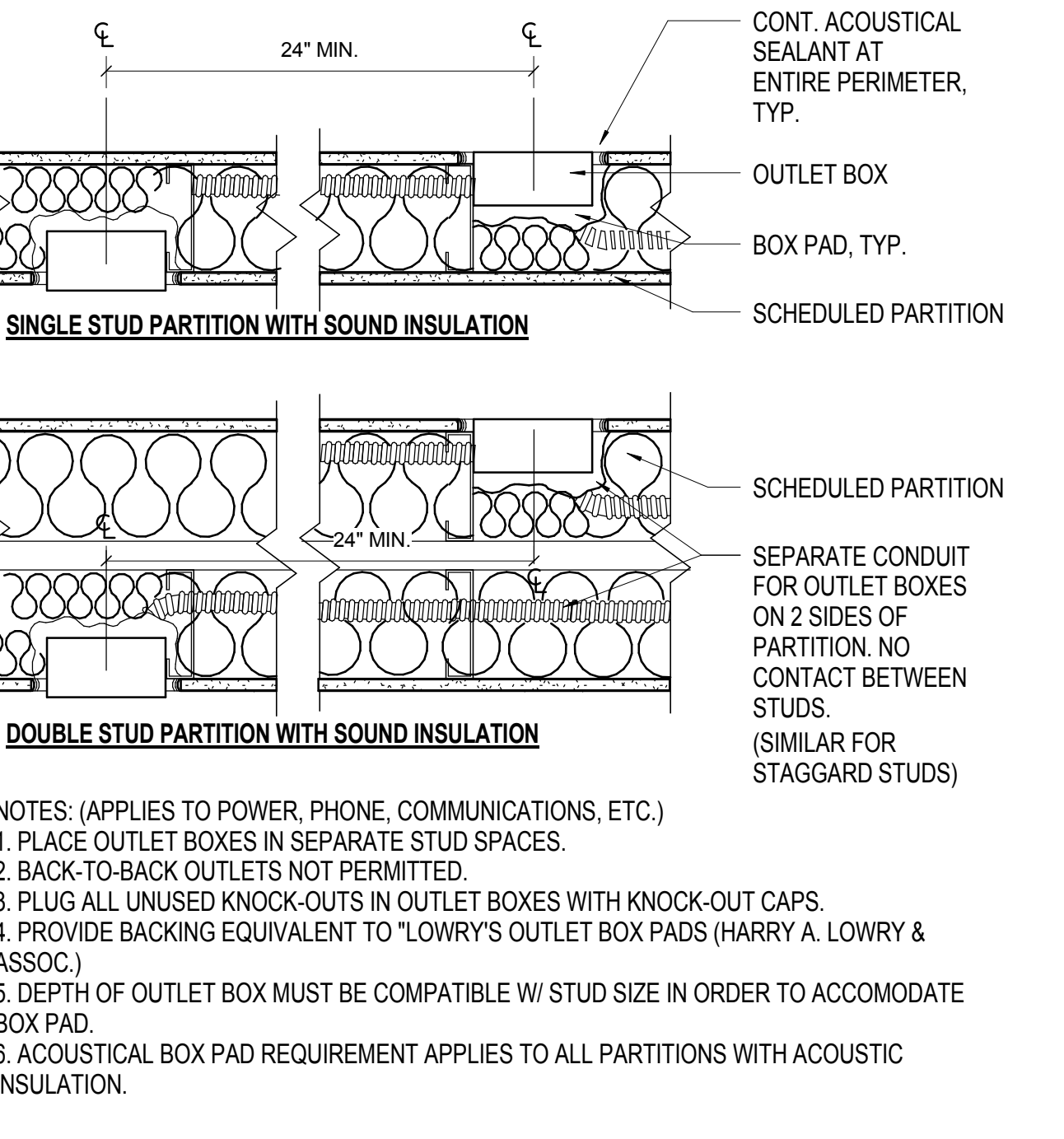
20 LOCATIONS at WORK SURFACES OUTLETS



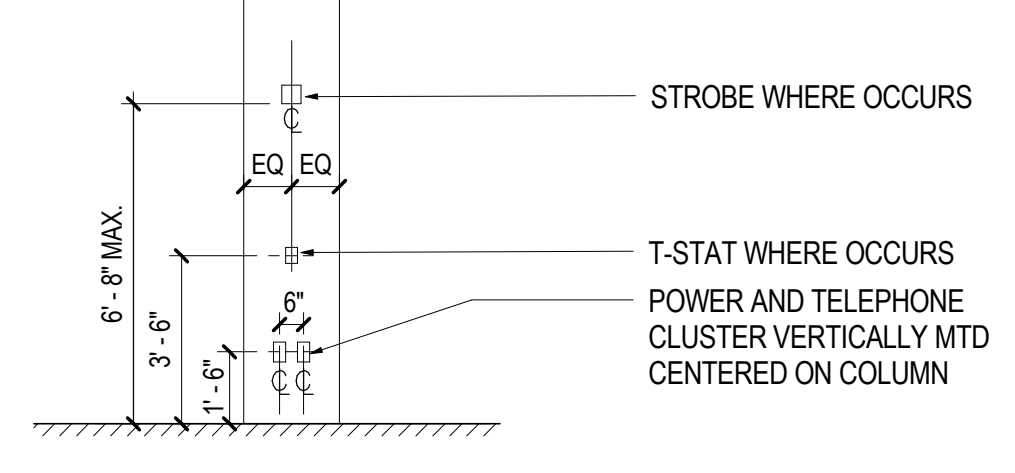
21 LOCATIONS at MILLWORK COUNTERS OUTLETS



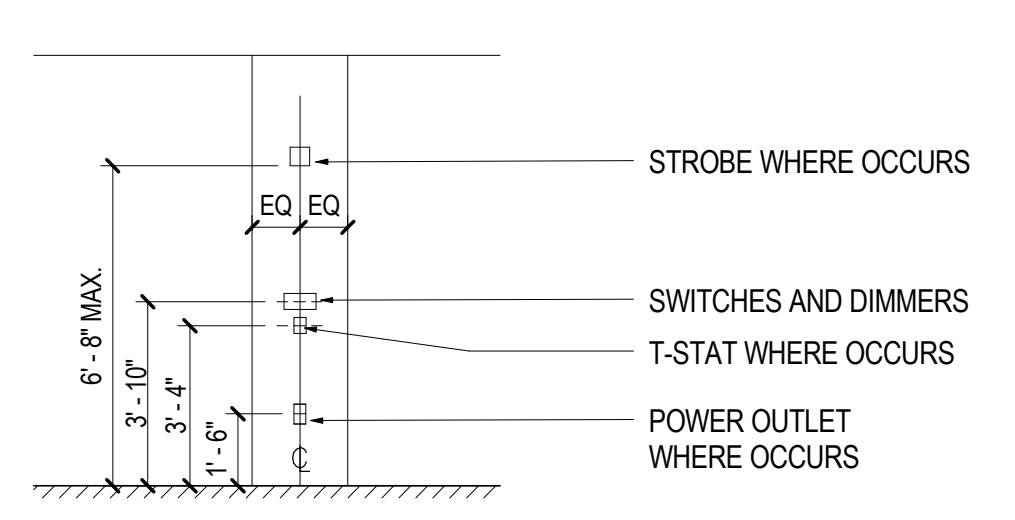
22 LOCATIONS at MILLWORK COUNTERS OUTLETS



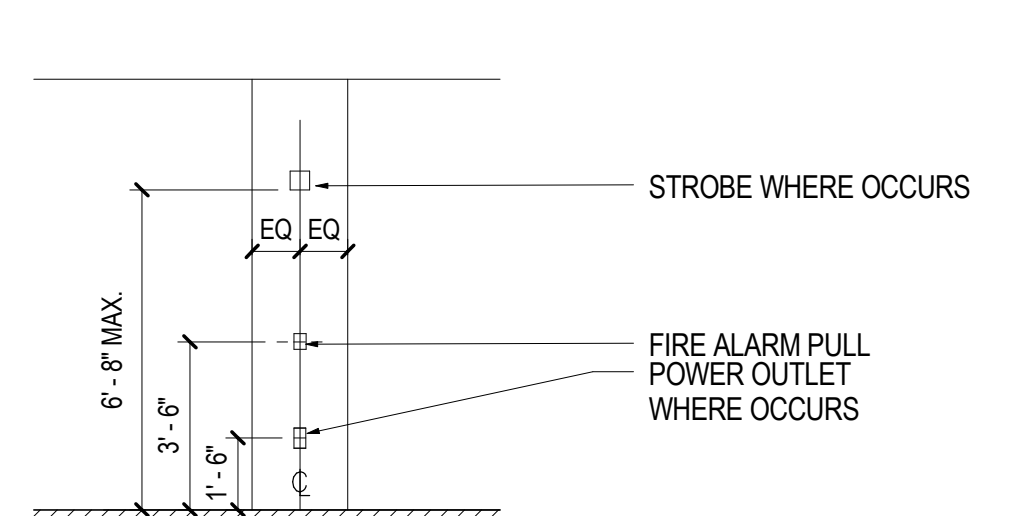
BACK TO BACK OUTLET BOX DETAIL
SCALE: 1 1/2" = 1'-0"



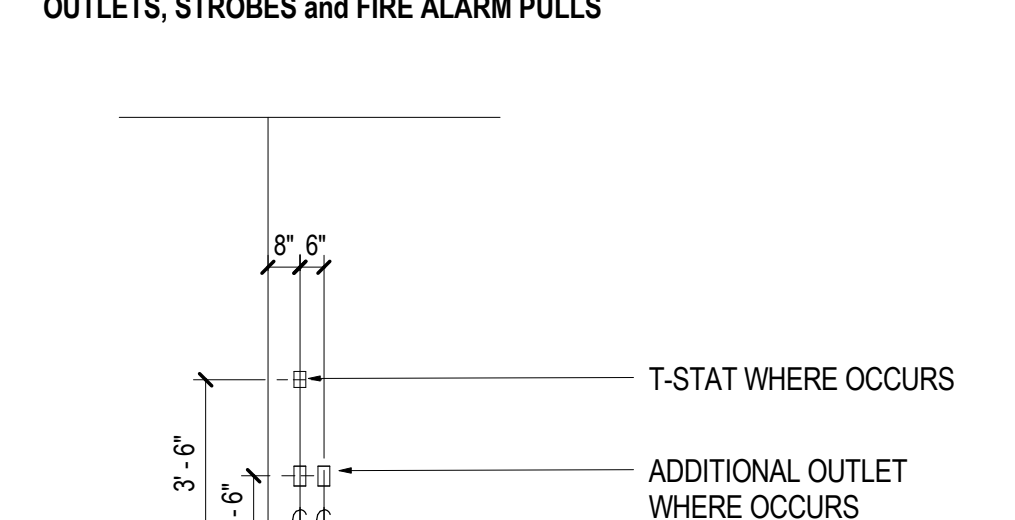
9 LOCATIONS at COLUMNS, BETWEEN DOORS, ETC. OUTLET GROUPS, STROBES and THERMOSTATS



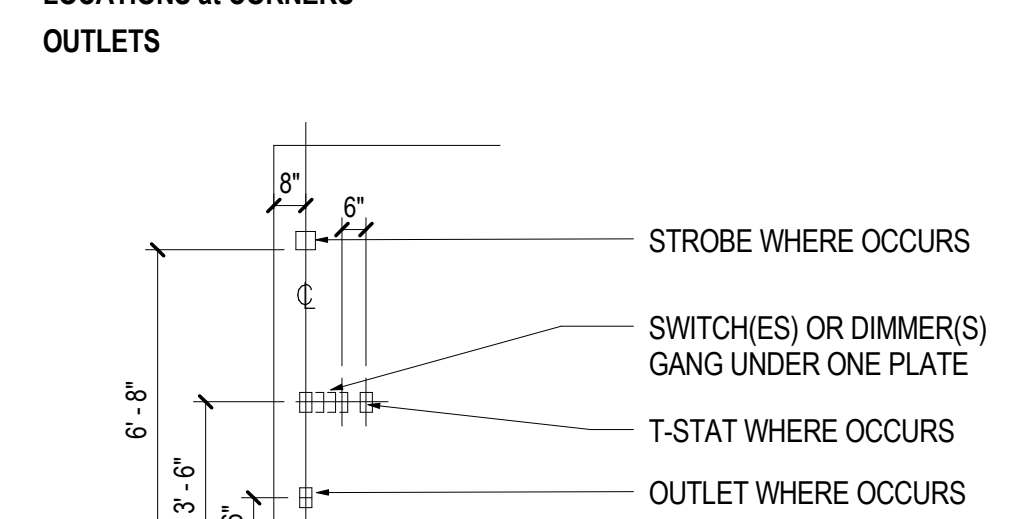
10 LOCATIONS at COLUMNS, BETWEEN DOORS, ETC. SWITCHES, STROBES and THERMOSTATS



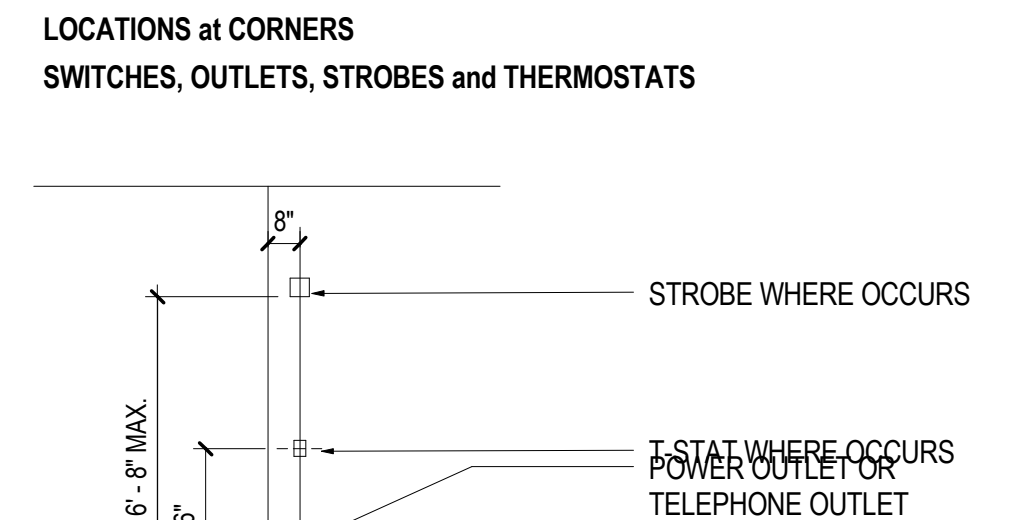
11 LOCATIONS at COLUMNS, BETWEEN DOORS, ETC. OUTLETS, STROBES and FIRE ALARM PULLS



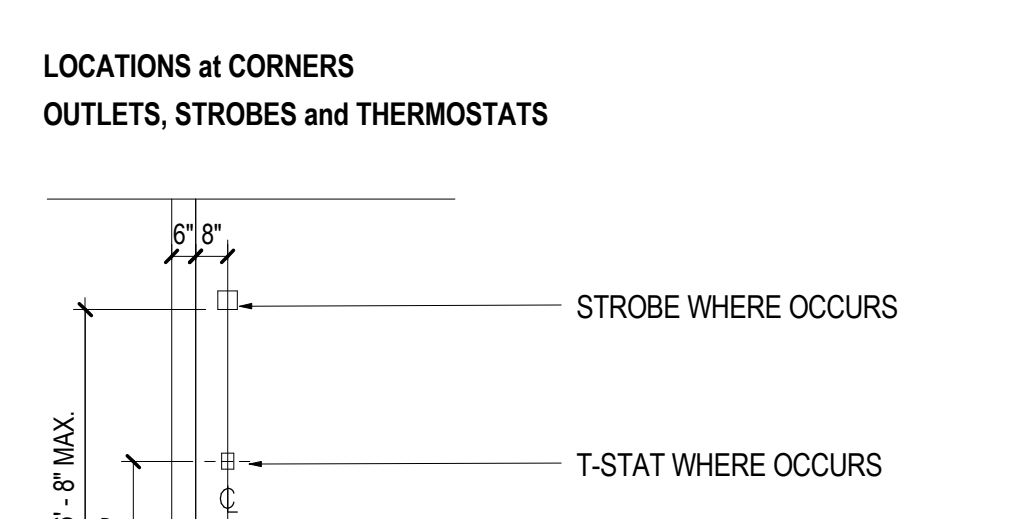
12 LOCATIONS at CORNERS OUTLETS



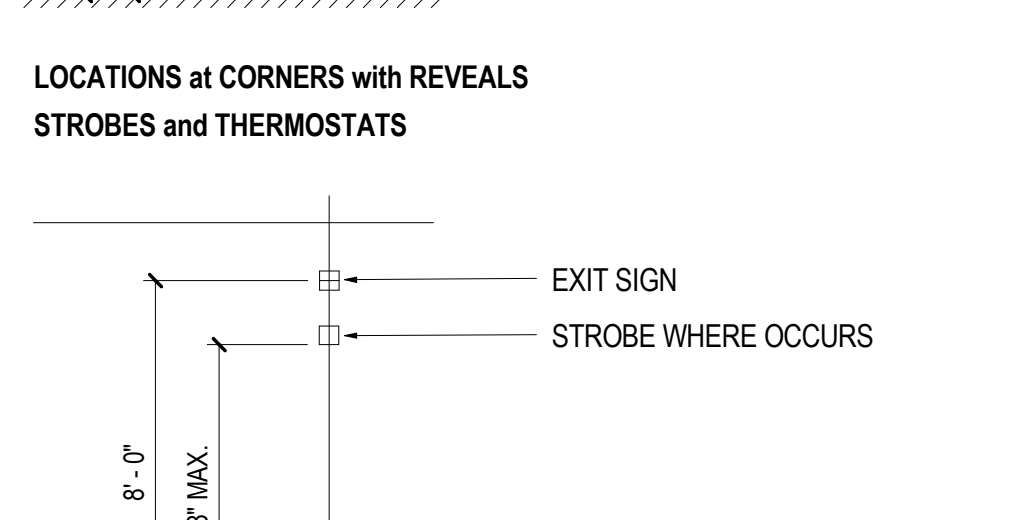
13 LOCATIONS at CORNERS SWITCHES, OUTLETS, STROBES and THERMOSTATS



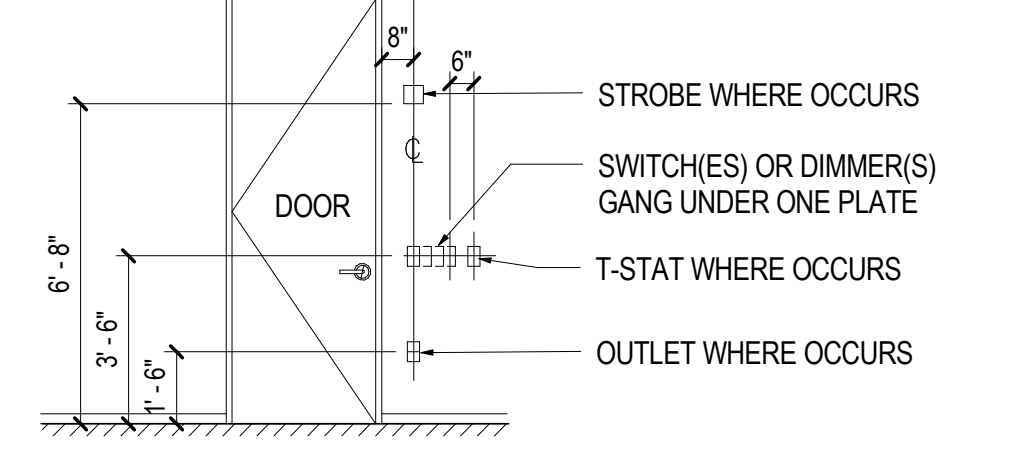
14 LOCATIONS at CORNERS OUTLETS, STROBES and THERMOSTATS



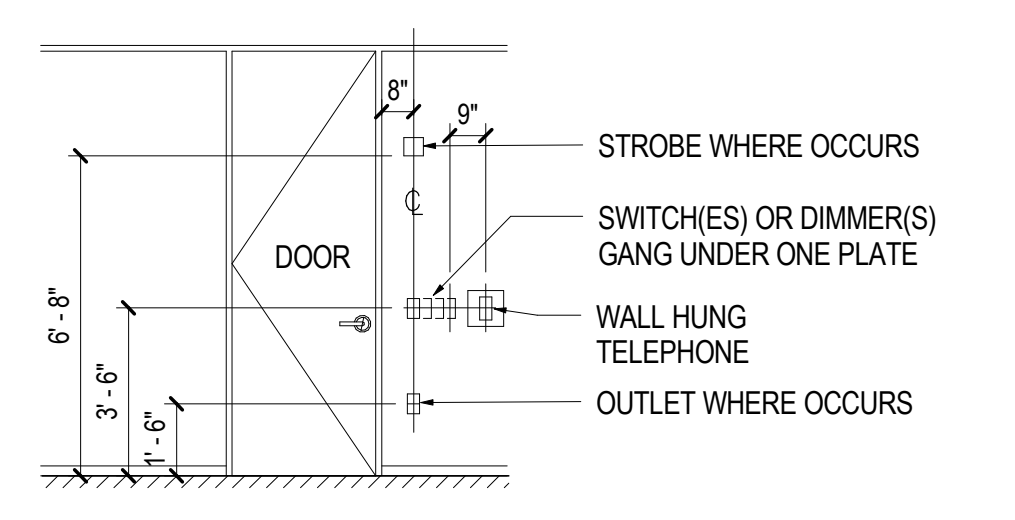
15 LOCATIONS at CORNERS with REVEALS STROBES and THERMOSTATS



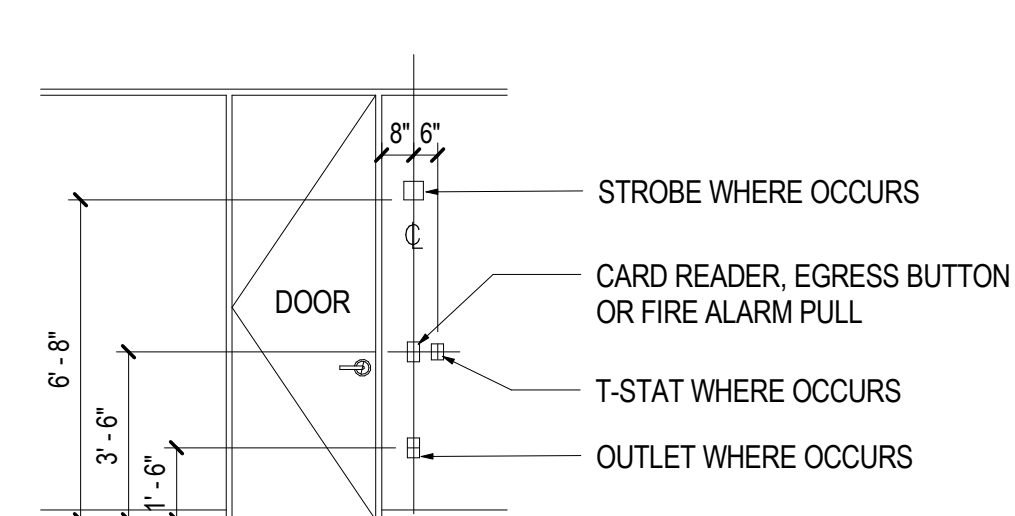
16 LOCATION FOR EXIT SIGNS (WALL MOUNTED)



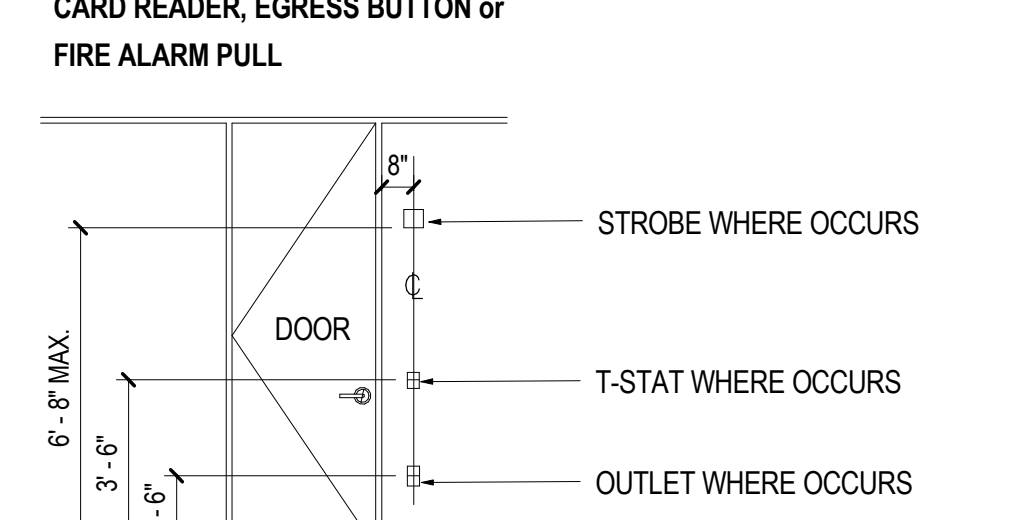
1 LOCATIONS at DOOR JAMBS SWITCH and THERMOSTAT



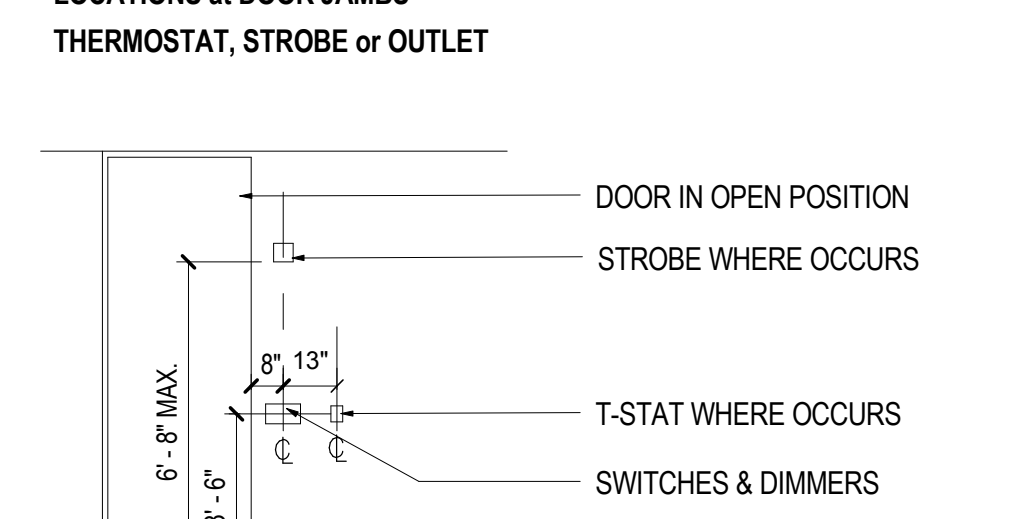
2 LOCATIONS at DOOR JAMBS SWITCH and TELEPHONE



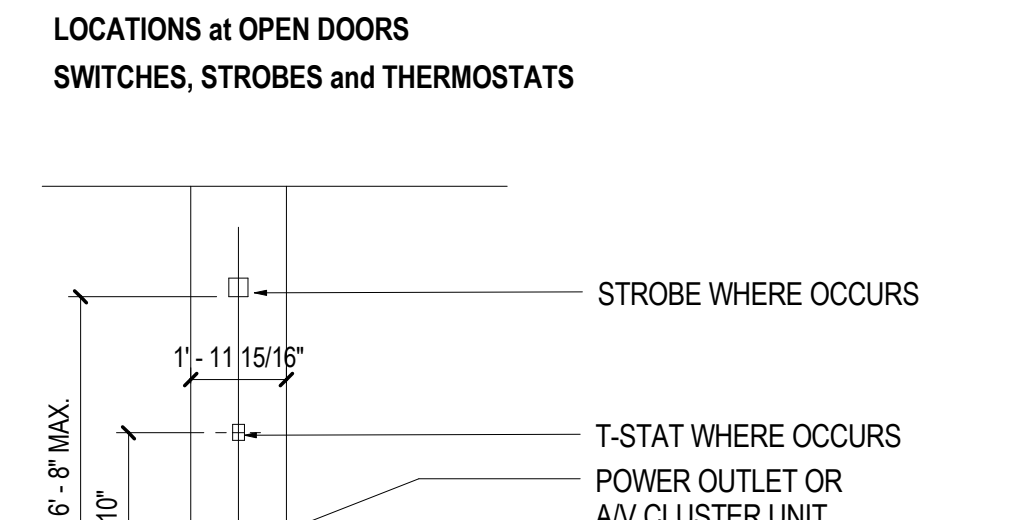
3 LOCATIONS at DOOR JAMBS CARD READER, EGRESS BUTTON or FIRE ALARM PULL



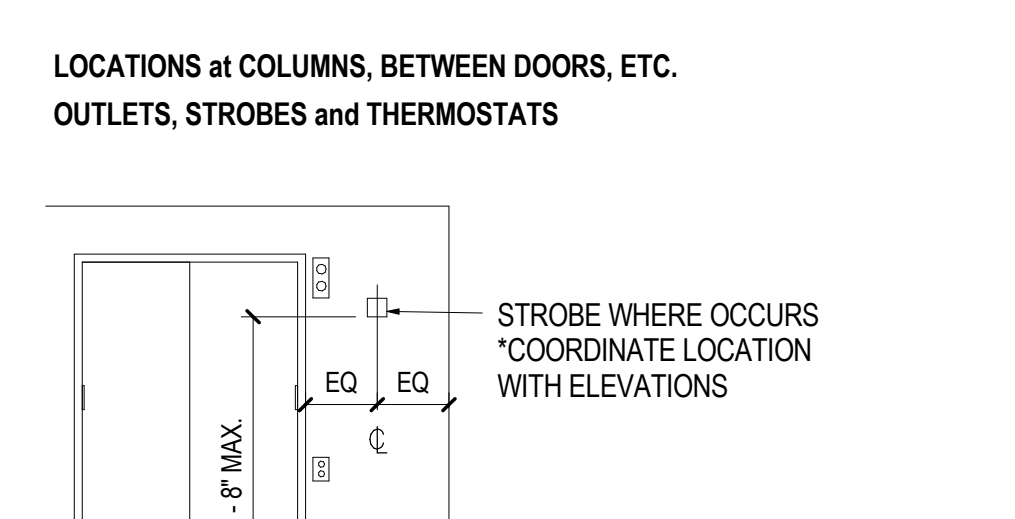
4 LOCATIONS at DOOR JAMBS THERMOSTAT, STROBE or OUTLET



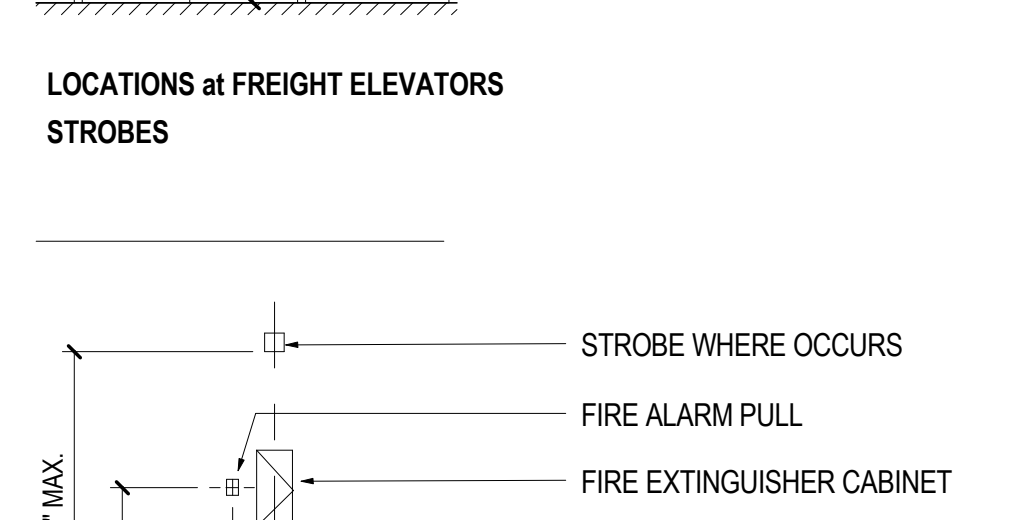
5 LOCATIONS at OPEN DOORS SWITCHES, STROBES and THERMOSTATS



6 LOCATIONS at COLUMNS, BETWEEN DOORS, ETC. OUTLETS, STROBES and THERMOSTATS



7 LOCATIONS at FREIGHT ELEVATORS STROBES



8 LOCATIONS at FIRE EXTINGUISHER CABINET STROBES and FIRE ALARM PULLS