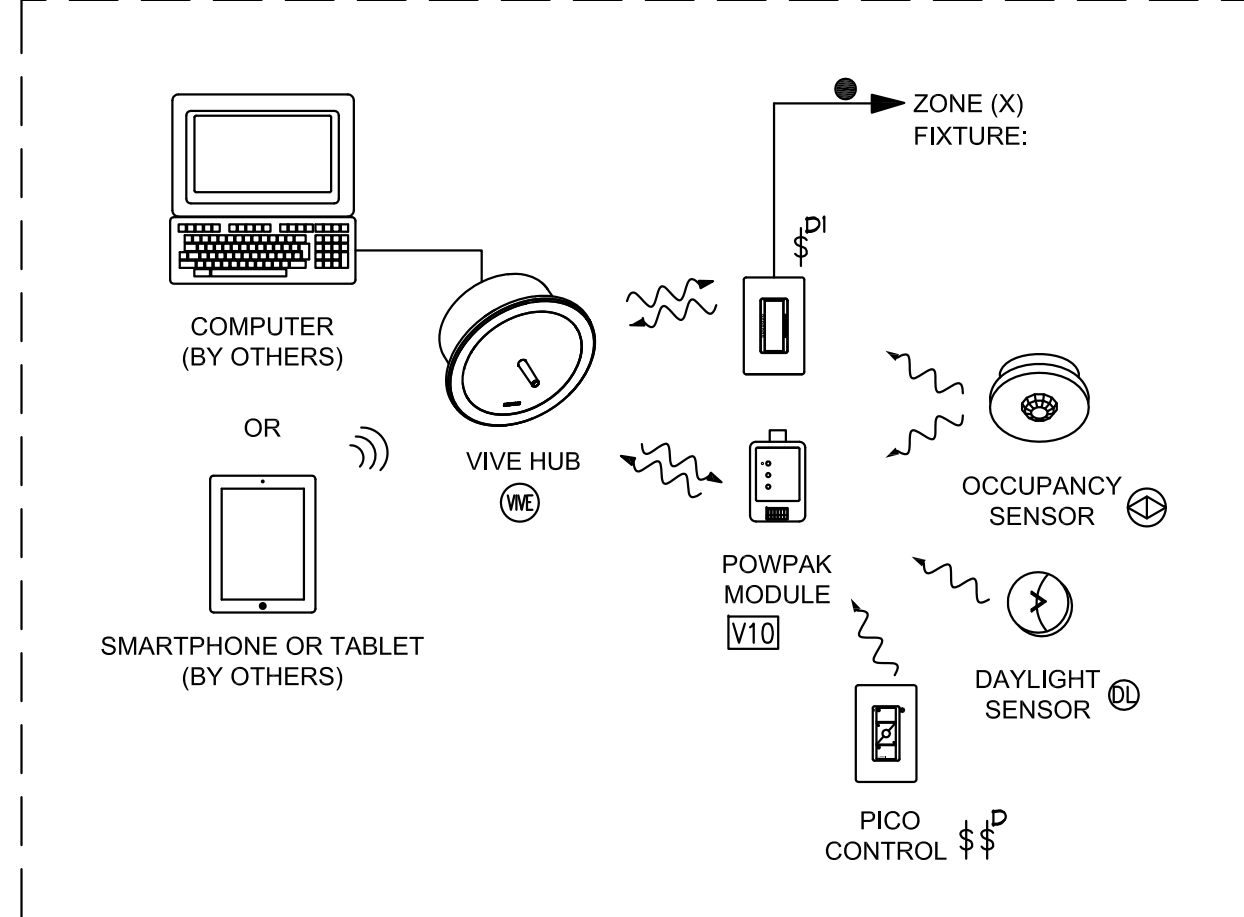


**TYPICAL VIVE SYSTEM COMPONENT CONNECTIVITY DIAGRAM**



**LOCAL LIGHTING CONTROL - SYMBOL LEGEND:**

| SYMBOL | DESCRIPTION   |
|--------|---|
| (M)    | VIVE WIRELESS HUB W/BACNET & TIMECLOCK<br>MODEL: H3S-2-FM<br>PROVIDE WITH HUB POWER SUPPLY: #PS-J-20W-UNV<br>RF RANGE: 71 FT RADIUS (TO ALL CONNECTED DEVICES)                                |
| (S)    | WIRELESS OCCUPANCY/VACANCY SENSOR<br>MODEL: P22-3BR-00X-101<br>SENSOR RANGE: 500 SQFT, 360 DEG  |
| (D)    | WIRELESS DAYLIGHT SENSOR<br>MODEL: P22-3BR-00X-101<br>MOUNT: 1-2 TIMES WINDOW HEIGHT  |
| (W)    | WIRELESS DIMMER (ON/OFF, RAISE/LOWER, PRESET)<br>MODEL: P22-3BR-00X-101<br>PROVIDE WITH CLARO STYLE SCREWLESS WALLPLATE   |
| (S)    | WIRELESS SWITCH (ON/OFF)<br>MODEL: P22-3BR-00X-101<br>PROVIDE WITH CLARO STYLE SCREWLESS WALLPLATE  |
| (V)    | VIVE DIMMING MODULE (0-10V DIMMING)<br>MODEL: P22-3BR-00X-101<br>CAPACITY: 8 AMP, RF RANGE: 30 FT RADIUS TO SENSORS   |
| (P)    | MAESTRO WIRELESS DIMMER (ON/OFF, RAISE/LOWER)<br>MODEL: MP225-BCL-WH<br>PROVIDE WITH CLARO STYLE SCREWLESS WALLPLATE<br>150W DIMMABLE CFL/LED; 600W INCAND/HALOGEN<br>1-GANG BACKBOX REQUIRED |

**LOCAL LIGHTING CONTROL - SEQUENCE OF OPERATION:**

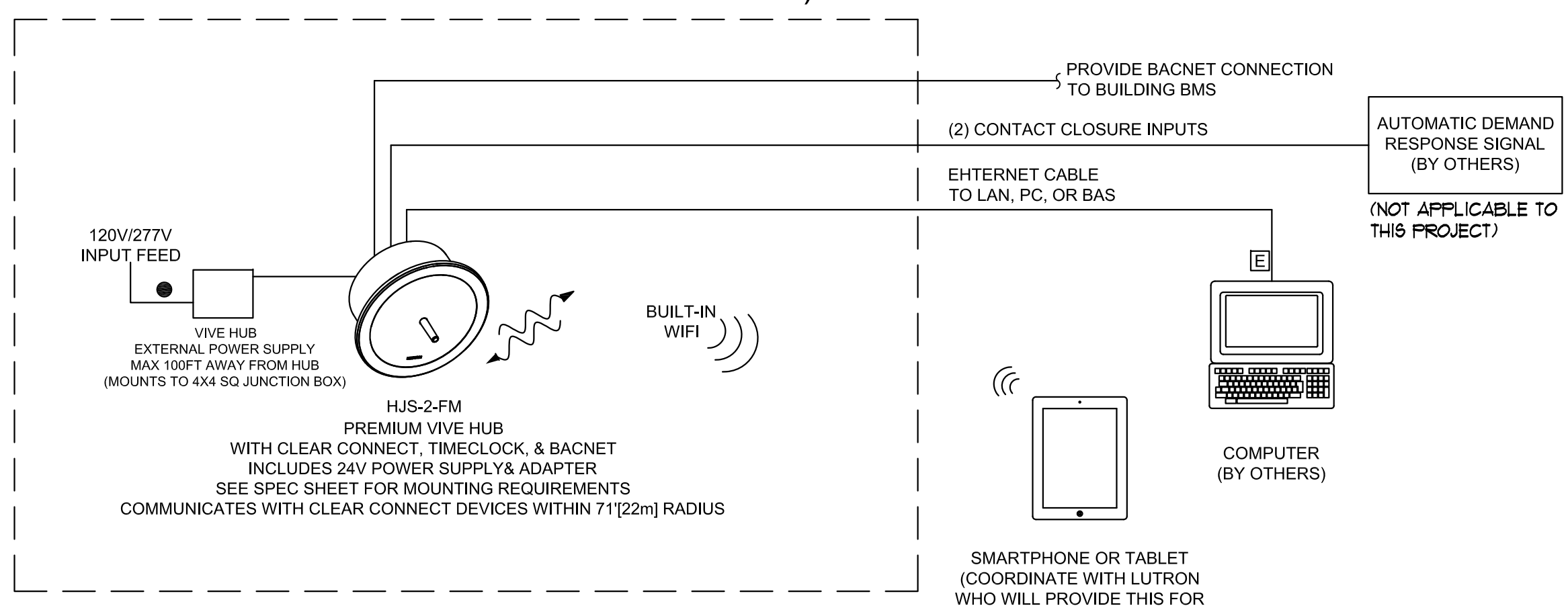
| ROOM/SPACE TYPE                   | OCCUPANCY, VACANCY, OR NONE | DESCRIPTION  | TRIM (FT-CD)           |     |
|-----------------------------------|-----------------------------|--|------------------------|-----|
|                                   |                             |  | HI                     | LO  |
| OPEN OFFICE / TOUCHDOWN           | OCCUPANCY                   | ENTER SPACE AND OCCUPANCY SENSORS TURN LIGHTS ON. MANUAL OVERRIDE AVAILABLE FOR ON/OFF OR DIMMING CONTROL. EXIT SPACE AND LIGHTS TURN OFF AFTER PRE-DEFINED TIMEOUT PERIOD.  | 40                     | 20  |
| PRIVATE OFFICE                    | VACANCY                     | ENTER SPACE AND PRESS MANUAL DIMMER SWITCH TO TURN LIGHTS ON. MANUAL OVERRIDE AVAILABLE FOR ON/OFF OR DIMMING CONTROL. EXIT SPACE AND LIGHTS TURN OFF AFTER PRE-DEFINED TIMEOUT PERIOD OR BY THE MANUAL SWITCH.                          | 30                     | N/A |
| CONFERENCE / NEIGHBORHOOD / FOCUS | VACANCY                     | ENTER SPACE AND PRESS MANUAL DIMMER SWITCH(ES) TO TURN LIGHTS ON. MANUAL OVERRIDE AVAILABLE FOR ON/OFF OR DIMMING CONTROL OF EACH DEFINED ZONE. EXIT SPACE AND LIGHTS TURN OFF AFTER PRE-DEFINED TIMEOUT PERIOD OR BY THE MANUAL SWITCH. | 30                     | N/A |
| WELLNESS                          | VACANCY                     | ENTER SPACE AND PRESS MANUAL DIMMER SWITCH(ES) TO TURN LIGHTS ON. MANUAL OVERRIDE AVAILABLE FOR ON/OFF OR DIMMING CONTROL OF EACH DEFINED ZONE. EXIT SPACE AND LIGHTS TURN OFF AFTER PRE-DEFINED TIMEOUT PERIOD OR BY THE MANUAL SWITCH. | 20                     | N/A |
| CAFE/PANTRY/VENDING               | NONE                        | TIME OF DAY PRE-PROGRAMMED CONTROL TO HAVE LIGHTS ON DURING NORMAL BUSINESS HOURS. AFTER BUSINESS HOURS THE SYSTEM TO AUTOMATICALLY TURN LIGHTS OFF. LOCAL OVERRIDE SWITCH TO PROVIDE ON/OFF AND DIMMING CONTROL.                        | 20                     | N/A |
| COPY/STORAGE/COATS                | OCCUPANCY                   | ENTER SPACE AND OCCUPANCY SENSORS TURN LIGHTS ON. MANUAL OVERRIDE AVAILABLE FOR ON/OFF CONTROL ONLY. EXIT SPACE AND LIGHTS TURN OFF AFTER PRE-DEFINED TIMEOUT PERIOD.  | 30 (COPY)<br>15 (STOR) | N/A |
| CORRIDORS / PUBLIC SQUARES        | NONE                        | TIME OF DAY PRE-PROGRAMMED CONTROL TO HAVE LIGHTS ON DURING NORMAL BUSINESS HOURS. AFTER BUSINESS HOURS THE SYSTEM TO AUTOMATICALLY TURN LIGHTS OFF. LOCAL OVERRIDE SWITCH TO PROVIDE ON/OFF AND DIMMING CONTROL.                        | 20                     | N/A |
| RESTROOM                          | OCCUPANCY                   | ENTER SPACE AND OCCUPANCY SENSORS TURN LIGHTS ON. MANUAL OVERRIDE AVAILABLE FOR ON/OFF CONTROL ONLY. EXIT SPACE AND LIGHTS TURN OFF AFTER PRE-DEFINED TIMEOUT PERIOD.  | 20                     | N/A |
| BOH (ELEC/MECH/TELE)              | NONE (EXISTING)             | ENTER SPACE AND MANUAL SWITCH TURN LIGHTS ON. MANUAL OVERRIDE AVAILABLE FOR ON/OFF CONTROL ONLY. EXIT SPACE AND LIGHTS TURN OFF BY THE MANUAL SWITCH.  | N/A                    | N/A |

**ADDITIONAL NOTES:**  
 - OCCUPANCY SENSOR MODE = AUTO ON / AUTO OFF  
 - VACANCY SENSOR MODE = MANUAL ON / AUTO OFF  
 - OCCUPANCY SENSOR TIMEOUT SHOULD BE SET TO 10 MINUTES, EXCEPT FOR RESTROOMS WHICH SHOULD BE SET TO 30 MINUTES.  
 - PROGRAM H TRIM VALUE (IN FT CANDLES) TO CAP LIGHT OUTPUT IN A SPACE.  
 - PROGRAM LO TRIM VALUE (IN FT CANDLES), WHERE APPLICABLE TO LIMIT DIMMING IN A SPACE.  
 - IN OFFICES, OPEN OFFICE, CONF, PANTRY SPACES FT-CD LEVEL TO BE TAKEN AT WORKSURFACE LEVEL.  
 - ANY ROOM OR AREA ALONG THE BUILDING PERIMETER WITH WINDOWS IS TO HAVE DAYLIGHT RESPONSIVE CONTROLS THAT CHANGE THE LIGHT LEVEL OF THE SPACE UP OR DOWN TO MAINTAIN THE DESIRED FT-CANDLE LEVEL FOR THAT SPACE. FOR LARGE OPEN OFFICE AREAS THE DAYLIGHT ZONE SHALL BE ANY LIGHT FIXTURES WITHIN 15'-0" OF THE WINDOWS.

**GENERAL NOTES:**  
(APPLY THIS SHEET ONLY)

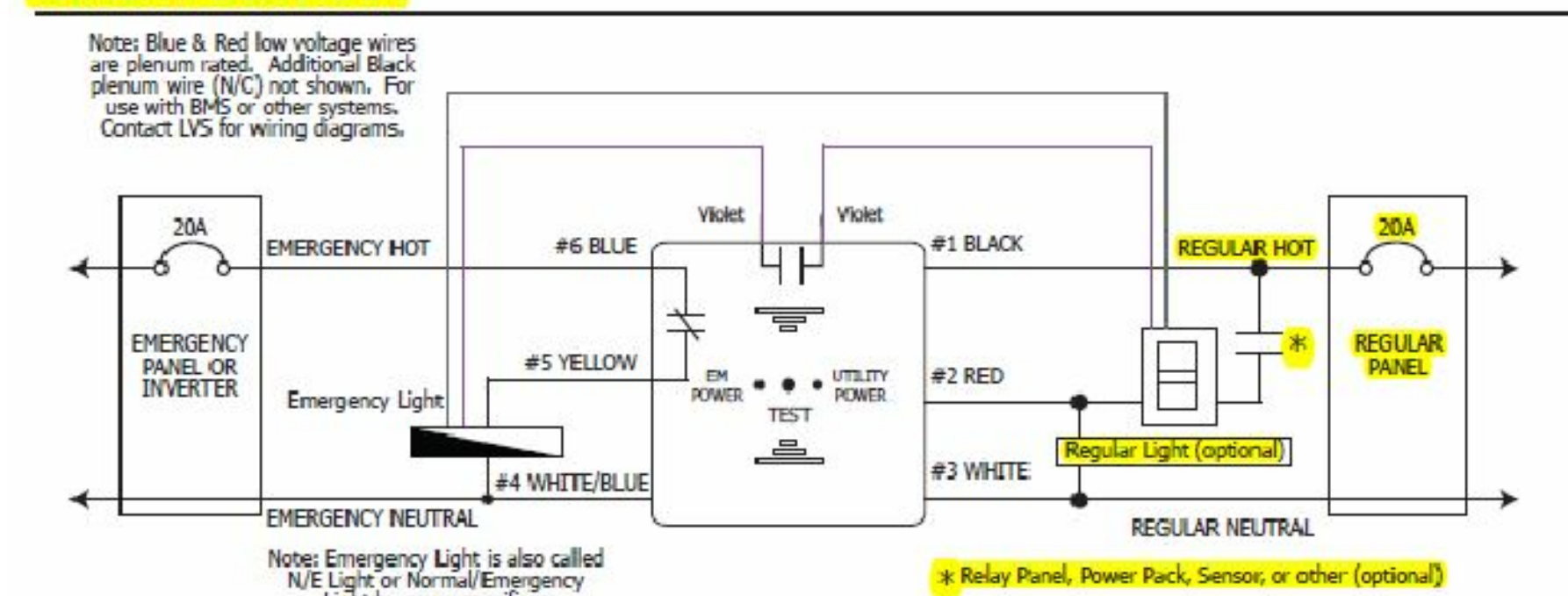
- THE MAIN LIGHTING CONTROL SYSTEM IDENTIFIED IN RISER 1/E1.004 SHALL BE PROVIDED WITH FACTORY SETUP AND OWNER TRAINING. COORDINATE EXACT SCHEDULE AND SETUP WITH THE GENERAL CONTRACTOR SO THAT A FULLY FUNCTIONAL SYSTEM IS LEFT AT PROJECT TURNOVER TO THE OWNER.
- CONTRACTOR TO PROVIDE ALL INTERFACES, CONTROLS, ETC., SO THAT A COMPLETE AND OPERATIONAL SYSTEM IS INSTALLED TO MEET THE DESIGN INTENT SHOWN ON THESE PLANS.
- CONNECT ROOM CONTROLLER INPUT CIRCUIT TO ROOM'S LIGHTING CIRCUIT, UNO.
- REFER TO LOAD & DIMMING TYPE FOR EACH ZONE. PROVIDE EXPANSION MODULES AS NECESSARY TO ACCOUNT FOR THAT TYPE FIXTURE AND CONTROL REQUIREMENTS. REFERENCE THE LIGHTING FIXTURE SCHEDULE AND LIGHTING DESIGNER PACKAGE.

**AS REQUIRED FOR SYSTEM DEVICE INTEGRATION (MIN 1 PER FLOOR WITH VIVE DEVICES - SEE PLANS FOR QUANTITY & LOCATIONS)**



**E1.004 LTG CONTROL DETAILS - LUTRON VIVE**

**WIRING DIAGRAM**



**E1.004 UL924 WIRING DIAGRAM**

**LIGHTING FIXTURE SCHEDULE**

| FIXTURE TYPE | MANUFACTURER AND CATALOG INFORMATION [REFER TO LIGHTING DESIGNER'S SPECS]            | LAMPS |                              | BALLAST   |          | TOTAL WATTS                         | INPUT VOLTAGE | DESCRIPTION   | OVERALL HEIGHT |   |                                  |
|--------------|--|-------|------------------------------|-----------|----------|-------------------------------------|---------------|---|----------------|---|----------------------------------|
|              |  | QTY.  | TYPE                         | QTY.      | TYPE     |                                     |               |   |                |   |                                  |
| F1-X         | MANUFACTURER: PINNACLE SERIES: EDGE EVOLUTION 3<br>"X" DENOTES LENGTH VARIATION      | -     | LED 3500K 1550LM/FT 80+CRI   | 8.6W/ FT  | AS REQ'D | LED DRIVER 0-10V 10% DIM (STANDARD) | AS REQ'D      | 2'-17.2W<br>4'-34.4W<br>6'-51.6W<br>8'-68.8W<br>10'-86W<br>12'-103.2W<br>14'-120.4W | 277V           | 4"W DIRECT LINEAR LED FIXTURE. REGRESSED LENS. VERIFY CEILING TYPE WITH ARCHITECTURAL RCP PLANS FOR PROPER MOUNTING.  | CEILING                          |
| F2-3'        | MANUFACTURER: VOCE SERIES: BOXRAC CEILING CABLE LED 107; 107-BX                      | -     | LED 3500K 389LM/FT 80+CRI    | 6.3W/ FT  | AS REQ'D | LED DRIVER 0-10V 1% DIM (STANDARD)  | AS REQ'D      | 18.9W   | 277V           | 3'-0" X 1' W SUSPENDED SINGLE RAIL LINEAR LED FIXTURE WITH DIFFUSE LENS. CABLE MOUNT. ZIPPER BOARD LED BOARD TYPE. PROVIDE WITH REMOTE DRIVER.  | SUSPENDED (REFER TO ARCH. ELEV.) |
| F2A-3'       | MANUFACTURER: VOCE SERIES: BOXRAC CEILING CABLE LED 107; 107-BX                      | -     | LED 3500K 389LM/FT 80+CRI    | 6.3W/ FT  | AS REQ'D | LED DRIVER 0-10V 1% DIM (STANDARD)  | AS REQ'D      | 18.9W   | 277V           | SAME AS TYPE 'F2' EXCEPT WITH CEILING SUPPORT CLIP FOR SURFACE MOUNTING TO CEILING GRID. PROVIDE WITH REMOTE DRIVER.  | SURFACE CEILING                  |
| F3           | MANUFACTURER: PINNACLE SERIES: EVOLUTION OUTLINE<br>** LENGTHS VARY **               | -     | LED 3500K 398LM/FT 80CRI     | 6W/ FT    | AS REQ'D | LED DRIVER 0-10V 10% DIM (STANDARD) | AS REQ'D      | 6W/ FT  | 277V           | 2"W RECESSED LINEAR LED PERIMETER SLOT FIXTURE WITH REGRESSED LENS. PROVIDE WITH SPACKLE FLANGE.  | CEILING RECESS                   |
| F3A          | MANUFACTURER: PINNACLE SERIES: EVOLUTION OUTLINE<br>** LENGTHS VARY **               | -     | LED 3500K 398LM/FT 80CRI     | 6W/ FT    | AS REQ'D | LED DRIVER 0-10V 10% DIM (STANDARD) | AS REQ'D      | 6W/ FT  | 277V           | SAME AS TYPE 'F3' EXCEPT TO BE MOUNTED IN GRID CEILING.   | CEILING RECESS                   |
| F4           | NOT USED   | -     | -                            | -         | -        | -                                   | -             | -   | -              | -   | -                                |
| F5           | MANUFACTURER: BUZZI SERIES: BUZZIBELL  | -     | LED 3000K 2545LM 90CRI       | 29.4W     | 1        | LED DRIVER 1-10V                    | 29.4W         | 29.4W   | 120V           | 23.62" DIA X 23.62" H SUSPENDED DECORATIVE PENDANT FIXTURE. EXACT FABRIC AND FINISH TO BE SELECTED BY THE ARCHITECT.  | SUSPENDED (REFER TO ARCH. ELEV.) |
| F6           | MANUFACTURER: LIGHTYEARS SERIES: CARAWAGGIO  | 1     | OFL 2700K 2000LM E26         | 30W       | -        | -                                   | -             | 30W   | 120V           | 10.25" RND SUSPENDED DECORATIVE PENDANT FIXTURE. EXACT FINISH TO BE SELECTED BY THE ARCHITECT.  | SUSPENDED (REFER TO ARCH. ELEV.) |
| F7           | MANUFACTURER: ROLL & HILL SERIES: BLUFF CITY 14H                                     | 1     | INCANDESCENT 2700K 550LM A19 | 60W       | -        | -                                   | -             | 60W MAX   | 120V           | 14" RND SUSPENDED DECORATIVE PENDANT FIXTURE. EXACT FINISH TO BE SELECTED BY THE ARCHITECT.   | SUSPENDED (REFER TO ARCH. ELEV.) |
| F8           | MANUFACTURER: PRESCOLITE LIGHTING SERIES: L06LD                                      | -     | LED 3500K 1000LM 80CRI       | 17.1W     | 1        | LED DRIVER 0-10V 10% DIM            | 25W           | 25W   | 277V           | 6"W RECESSED ROUND LED OPEN DOWNLIGHT FIXTURE. EXACT TRIM COLOR AND REFLECTOR FINISH TO BE SELECTED BY THE ARCHITECT.   | CEILING                          |
| F9           | MANUFACTURER: MERCURY LIGHTING SERIES: LW4 (OR APPROVED EQUAL BY LAMAR OR PHILIPS)   | -     | LED 3500K 926LM/FT 80CRI     | 6W/ FT    | 1        | LED DRIVER 0-10V 10% DIM (STANDARD) | 25W           | 25W   | 277V           | ARCHITECTURAL LINEAR LED FIXTURE WITH HIGH TRANSMISSION ACRYLIC LENS.   | BACKLIT CEILING                  |
| F10          | MANUFACTURER: PINNACLE LIGHTING SERIES: EDGE EX2N<br>** LENGTHS VARY **              | -     | LED 3500K 973LM/FT 80CRI     | 8.6W/ FT  | AS REQ'D | LED DRIVER 0-10V 10% DIM (STANDARD) | AS REQ'D      | 8.6W/ FT  | 277V           | 3"W LINEAR LED INDIRECT WALL MOUNT FIXTURE.   | WALL (REFER TO ARCH. ELEV.)      |
| F11          | MANUFACTURER: PINNACLE SERIES: EVOLUTION OUTLINE<br>** LENGTHS VARY **               | -     | LED 3500K 398LM/FT 80CRI     | 6W/ FT    | AS REQ'D | LED DRIVER 0-10V 10% DIM (STANDARD) | AS REQ'D      | 6W/ FT  | 277V           | 2"W RECESSED LINEAR LED PERIMETER SLOT FIXTURE WITH REGRESSED LENS.   | CEILING RECESS                   |
| F12          | MANUFACTURER: PINNACLE LIGHTING SERIES: EDGE EX2<br>** LENGTHS VARY **               | -     | LED 3500K 625LM/FT 80CRI     | 8.6W/ FT  | AS REQ'D | LED DRIVER 0-10V 10% DIM (STANDARD) | AS REQ'D      | 8.6W/ FT  | 277V           | 2"W LINEAR LED DIRECT WALL MOUNT FIXTURE WITH SATINE LENS. PROVIDE WITH RECTANGULAR PATTERN SHAPE.  | WALL (REFER TO ARCH. ELEV.)      |
| F13          | MANUFACTURER: PHILIPS DAY-BRITE SERIES: FLUXGRID LED Z4X                             | -     | LED 3500K 3800LM 80CRI       | 31.8W     | 1        | LED DRIVER 0-10V 10% DIM (STANDARD) | 31.8W         | 31.8W   | 277V           | 2'X4' RECESSED GRID LED TROFFER. PROVIDE WITH CENTER SMOOTH DIFFUSER.   | CEILING                          |
| F14          | MANUFACTURER: PINNACLE SERIES: EDGE EVOLUTION 2<br>** LENGTHS VARY **                | -     | LED 3500K 625LM/FT 80+CRI    | 8.6W/ FT  | AS REQ'D | LED DRIVER 0-10V 10% DIM (STANDARD) | AS REQ'D      | 8.6W/ FT  | 277V           | 4"W DIRECT LINEAR LED FIXTURE. FLUSH LENS. VERIFY CEILING TYPE WITH ARCHITECTURAL RCP PLANS FOR PROPER MOUNTING.  | CEILING                          |
| F15          | MANUFACTURER: PHILIPS DAY-BRITE SERIES: FLUXGRID LED Z4X                             | -     | LED 3500K 3800LM 80CRI       | 33.4W     | 1        | LED DRIVER 0-10V 10% DIM (STANDARD) | 33.4W         | 33.4W   | 277V           | 2'X2' RECESSED GRID LED TROFFER. PROVIDE WITH CENTER SMOOTH DIFFUSER.   | CEILING                          |
| F16          | MANUFACTURER: PHILIPS DAY-BRITE SERIES: LINGS LED UNDERCABINET<br>** LENGTHS VARY ** | -     | LED 3500K 300LM/FT 90CRI     | XW/ FT    | 1        | LED DRIVER ELV TRAILING EDGE        | XW/ FT        | XW/ FT  | 277V           | LED UNDERCABINET FIXTURE. PROVIDE LENGTHS REQUIRED TO COMPLETE FULL LENGTH RUN SHOWN ON PLANS.  | UNDERCABINET                     |
| F17          | MANUFACTURER: LUMINI SERIES: LL36<br>** LENGTHS VARY **                              | -     | LED 3500K 253LM/FT 85CRI     | 3W/ FT    | 1        | LED DRIVER REMOTE 0-10V             | 3W/ FT        | 3W/ FT  | 277V           | LINEAR LED TAPE LIGHT WITH SLIM WIDE 1.5 MOUNTING CHANNEL. PROVIDE LENGTHS REQUIRED TO COMPLETE FULL LENGTH RUN SHOWN ON PLANS.   | UNDER STAR                       |
| F18          | MANUFACTURER: PRESCOLITE LIGHTING SERIES: L06SL                                      | -     | LED 3500K 1000LM 80CRI       | 13.4W     | 1        | LED DRIVER 0-10V 10% DIM            | 13.4W         | 13.4W   | 277V           | 6"W RECESSED ROUND LED OPEN WALLWASH FIXTURE. EXACT TRIM COLOR AND REFLECTOR FINISH TO BE SELECTED BY THE ARCHITECT.  | CEILING                          |
| F19          | MANUFACTURER: TBD SERIES: ----   | -     | -                            | -         | -        | -                                   | -             | -   | 277V           | STAIRWELL REPLACEMENT LIGHT. EXACT SPEC TBD.  | SURFACE                          |
| X            | MANUFACTURER: LITHONIA LIGHTING SERIES: EDG & EDOR (OR APPROVED EQUAL)               | -     | LED 3500K 1500LM 85CRI       | <5W/ FACE | 1        | LED DRIVER                          | <10W          | <10W  | 277V           | LED EDGE-LIT EXIT SIGN WITH GREEN LETTERS ON MIRRORRED BACKING. PROVIDE SINGLE OR DOUBLE FACE, AND ARROW, PER PLANS. WHERE A CEILING IS PRESENT PROVIDE RECESSED HOUSING. WHERE INSTALLED IN EXPOSED TO STRUCTURE AREA PROVIDE SURFACE MOUNT HOUSING. | VARIES                           |

**LIGHT FIXTURE SCHEDULE NOTES:**

- ALL LIGHT FIXTURE SPECIFICATIONS ARE TO BE PROVIDED BY THE LIGHTING DESIGNER. SBLD STUDIO. THIS LIGHT FIXTURE SCHEDULE IS PROVIDED TO COORDINATE EXACT VOLTAGES, WATTAGES, AND ANY OTHER MISC INSTALLATION NOTES. REFER TO THE FIXTURE SPECIFICATIONS PROVIDED IN THE PROJECT MANUAL ISSUED WITH THE CONSTRUCTION DOCUMENT SET, PREPARED BY THE LIGHTING DESIGNER. ALL FIXTURE MANUFACTURER'S, LAMP TYPES, MODEL NUMBERS, ETC., WILL BE PROVIDED BY THE LIGHTING DESIGNER. ALL VOLTAGES, WATTAGES, AND CONTROL SCENARIOS OUTLINED IN THE ELECTRICAL SET OF DRAWINGS SHOULD BE CONSIDERED WHEN PURCHASING THE FIXTURES. ANY DISCREPANCIES BETWEEN THE SPECIFICATIONS IN THE LIGHTING DESIGNER SUBMITTAL AND THESE DOCUMENTS SHALL BE BROUGHT TO THE ATTENTION OF THE DESIGN TEAM.
- ALL FINISH TYPES SHOULD BE COORDINATED WITH THE ARCHITECT/INTERIOR DESIGNER(S).
- ALL TRIMS AND INSTALLATION REQUIREMENTS SHALL BE COORDINATED WITH THE CEILING TYPE IN WHICH IT IS TO BE INSTALLED. REFER TO ARCHITECTURAL REFLECTED CEILING PLANS FOR EXACT CEILING TYPE FOR WHICH THE FIXTURE IS TO BE INSTALLED.
- ALL FLUORESCENT FIXTURES TO BE PROVIDED WITH INTERNAL BALLAST DISCONNECTING MEANS.

**NOTES FOR OWNER DIRECT PROCUREMENT OF LIGHT FIXTURES:**

- ALL LIGHT FIXTURES, LAMPS, AND THE LUTRON DIMMING SYSTEM, INCLUSIVE OF ALL COMPONENTS ASSOCIATED WITH THE LUTRON DIMMING SYSTEM, ARE SUPPLIED BY OWNER AND FURNISHED BY WEDENBACH-BROWN. WEDENBACH-BROWN WILL PROVIDE A COMPLETE LUTRON BILL OF MATERIAL AS A PART OF THEIR SUBMITTAL PACKAGE. WEDENBACH-BROWN WILL PROVIDE FOR THE COMMISSIONING OF THE LUTRON DIMMING SYSTEM, FOLLOWING THE EC'S COMPLETION OF THE LUTRON CHECK LIST. NO OTHER LIGHTING BIDS WILL BE REVIEWED OR ACCEPTED.
- ALL OTHER NON-LUTRON CONTROLS, DIMMING SWITCHES, SWITCHES, OCCUPANCY SENSORS, PHOTOCELLS, RELAYS, AND SIMILAR DEVICES THAT ARE NOT ASSOCIATED WITH THE LUTRON DIMMING SYSTEM ARE TO BE PROVIDED BY THE EC. THE WIRING AND INSTALLATION OF ALL FIXTURES AND DEVICES, INCLUDING THOSE PROVIDED BY THE OWNER ASSOCIATED WITH THE LUTRON DIMMING SYSTEM, SHALL BE BY THE EC.
- GC/EC MAINTAINS ALL STANDARD ELECTRICAL RESPONSIBILITY SUCH AS BUT NOT LIMITED TO INSTALLATION, INCLUDING ALL NECESSARY MOUNTING HARDWARE AS NORMALLY SUPPLIED AND REVIEW OF FIXTURE SUBMISSION FOR CEILING COORDINATION AND VOLTAGE. ALL STANDARD BACK BOXES THAT ARE INCLUDED AS A PART OF THE LIGHT FIXTURE PARTS WILL BE PROVIDED BY WEDENBACH-BROWN.
- WEDENBACH-BROWN WILL BE RESPONSIBLE FOR DETERMINING ALL QUANTITIES RELATED TO THE LIGHT FIXTURES, LAMPS, AND THE LUTRON DIMMING SYSTEM, AND SUPPLYING THOSE ITEMS IN THOSE QUANTITIES IN ACCORDANCE WITH THE PLANS AND SPECIFICATIONS. UPON AWARD, COUNTS FOR ALL MATERIAL WILL BE PROVIDED BY WEDENBACH-BROWN. EC WILL REVIEW THESE QUANTITIES AND REPORT ANY DISCREPANCIES FOUND.
- GC/EC IS RESPONSIBLE FOR CHECKING IN FIXTURES AS WELL AS CARE, CUSTODY AND SECURITY OF LIGHTING EQUIPMENT ON DELIVERY, CARE AND CUSTODY TRANSFER TO GC/EC AT TIME OF DELIVERY. ANY DAMAGES AT TIME OF DELIVERY NEEDS TO BE SIGNED FOR AS SUCH AND WEDENBACH-BROWN NEEDS TO BE NOTIFIED WITHIN 72 HOURS OF ANY DAMAGED PRODUCT. ANY FIXTURES OR DEVICES DAMAGED ON SITE WILL BE THE RESPONSIBILITY OF THE EC TO PAY FOR THE REPLACEMENT. ANY DAMAGE TO LIGHT FIXTURES FOUND TO OCCUR IN SHIPMENT, THAT IS NOT APPARENT AT THE TIME SHIPMENTS ARE RECEIVED, WILL BE REPORTED IMMEDIATELY SO THAT REPAIRS OR REPLACEMENTS CAN BE ARRANGED BY WEDENBACH-BROWN.
- A DELIVERY PLAN WILL BE COORDINATED BETWEEN THE GC/EC AND WEDENBACH-BROWN. THIS CAN INCLUDE PHASED DELIVERIES PROVIDING THE PHASING IS KNOWN PRIOR TO THE FIRST SHIPMENT.
- FIXTURES WILL COME PALLETIZED AND LABELED BY TYPE INCLUDING MANUFACTURER AND CATALOG NUMBER. EACH PALLET WILL INCLUDE ONLY ONE FIXTURE TYPE.
- IT IS THE EXPECTATION OF THE OWNER THAT THE GC/EC WILL WORK WITH THE WEDENBACH-BROWN TO MAKE THIS A SMOOTH AND SEAMLESS PROCESS.
- GC/EC SHALL BE RESPONSIBLE FOR ALL PUNCH LIST ITEMS ASSOCIATED WITH THE INSTALLATION OF LIGHT FIXTURES AND ASSOCIATED CONTROLS. ALL MATERIAL REQUIRED TO CORRECT PRODUCT DEFECTS RELATED TO THE LIGHT FIXTURES, LAMPS, AND THE LUTRON DIMMING SYSTEM WILL BE FURNISHED BY THE MANUFACTURER UNDER WARRANTY. ALL LABOR TO CORRECT PRODUCT DEFECTS RELATED TO THE LIGHT FIXTURES, LAMPS, AND THE LUTRON DIMMING SYSTEM WILL BE PROVIDED BY THE EC UNDER THEIR ONE YEAR PROJECT WARRANTY.

**unum**  
 2211 Congress Street  
 Portland, ME 04122

**Gensler**  
 214 North Tryon Street  
 Suite 2320  
 Charlotte, NC 28202  
 United States

Jeffery Scott Lowery, P.E.  
 4201 Mitchell Lane  
 Charlotte, NC 28217  
 Tel: 704.357.5333  
 MEP-JOB# 170358

Tel: 704.377.2725  
 Fax: 704.377.2807

**BW & A**

| Date       | Description                       |
|------------|-----------------------------------|
| 08.18.2017 | ISSUE FOR PERMIT AND CONSTRUCTION |
| 08.25.2017 | ADDENDUM #1                       |
| 09.01.2017 | ADDENDUM #2                       |

Seal / Signature

**STATE OF MAINE**  
 JEFFREY SCOTT LOWERY  
 No. 15160  
 LICENSED PROFESSIONAL ENGINEER

Project Name: Unum Workplace Transformation - Phase 1 (HO2)  
 Project Number: 59.6481.000  
 Description: LIGHT FIXTURE SCHEDULE & LIGHTING CONTROL DETAILS

Scale: NO SCALE

**E1.004**