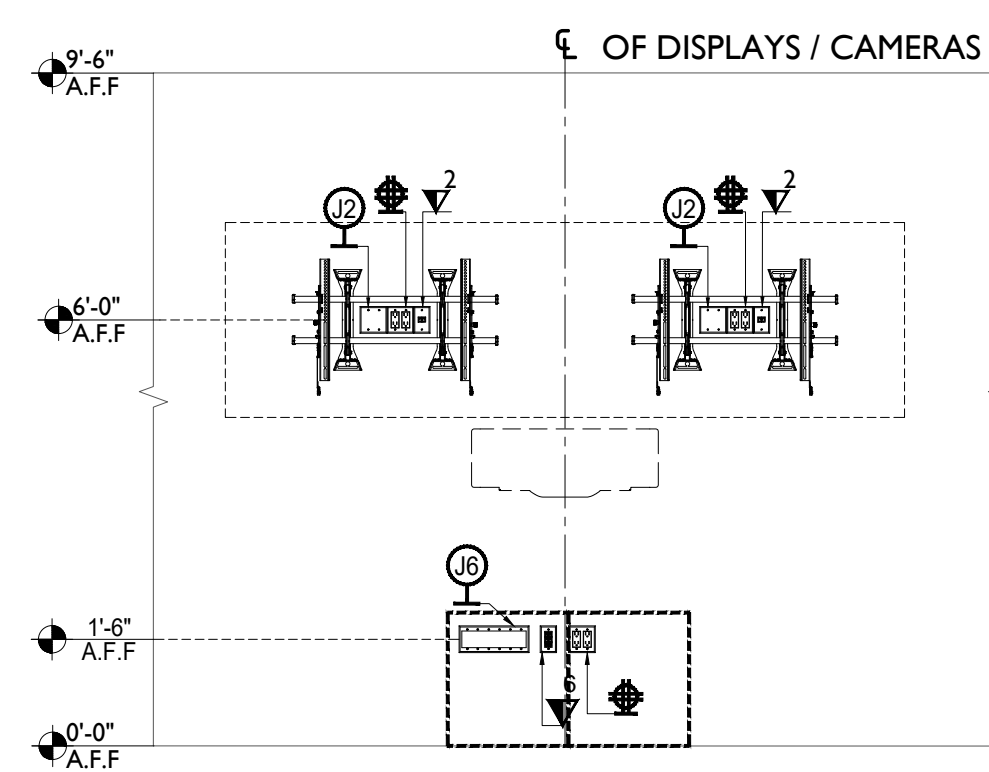


FACILITY ELEVATION

DUAL 65" W/ SPEAKERTRACK BELOW
SCALE SIZE: 1/2" = 1'-0"

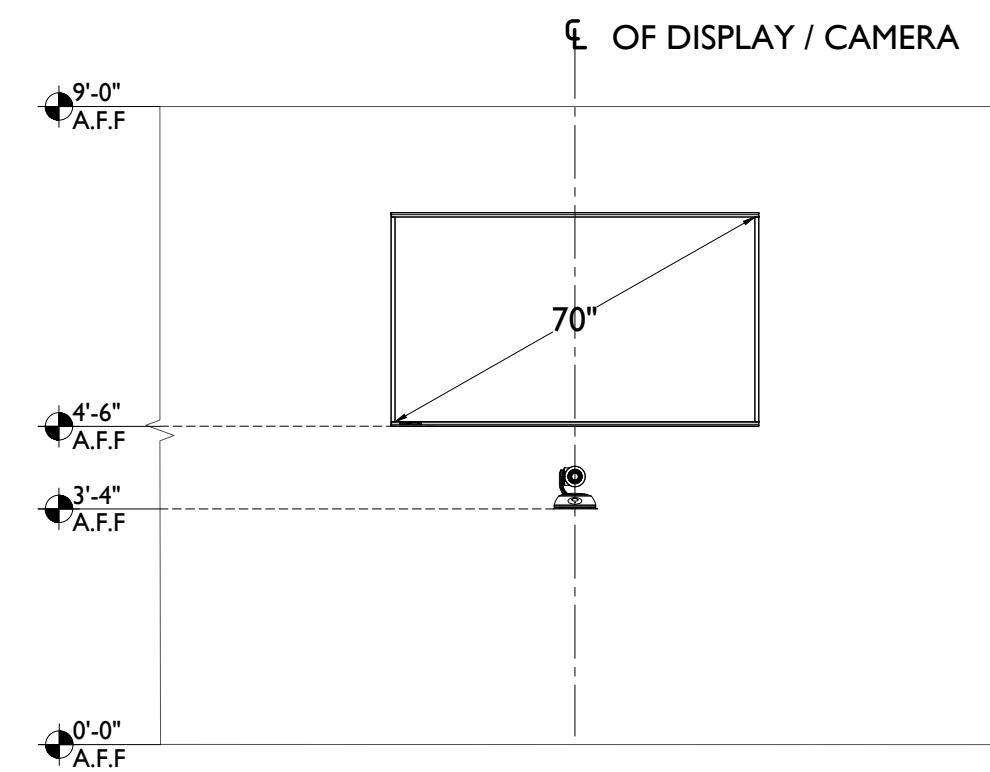
A



ELECTRICAL ELEVATION

DUAL 65" W/ SPEAKERTRACK BELOW
SCALE SIZE: 1/2" = 1'-0"

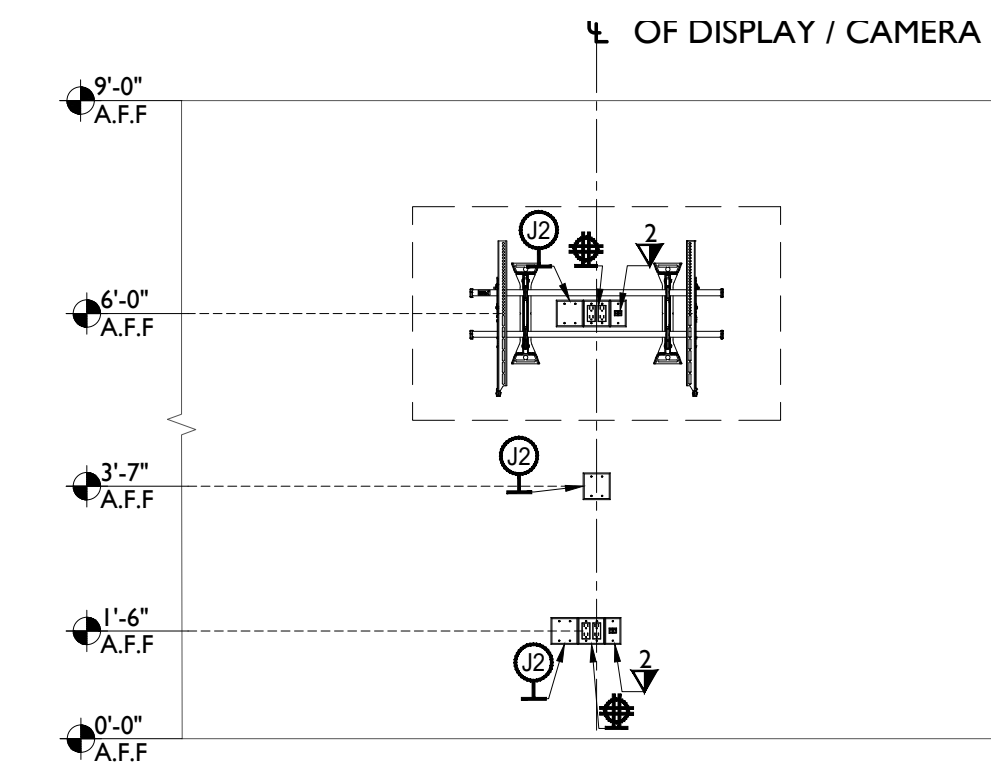
B



FACILITY ELEVATION

SINGLE 70" W/ USB CAMERA BELOW
SCALE SIZE: 1/2" = 1'-0"

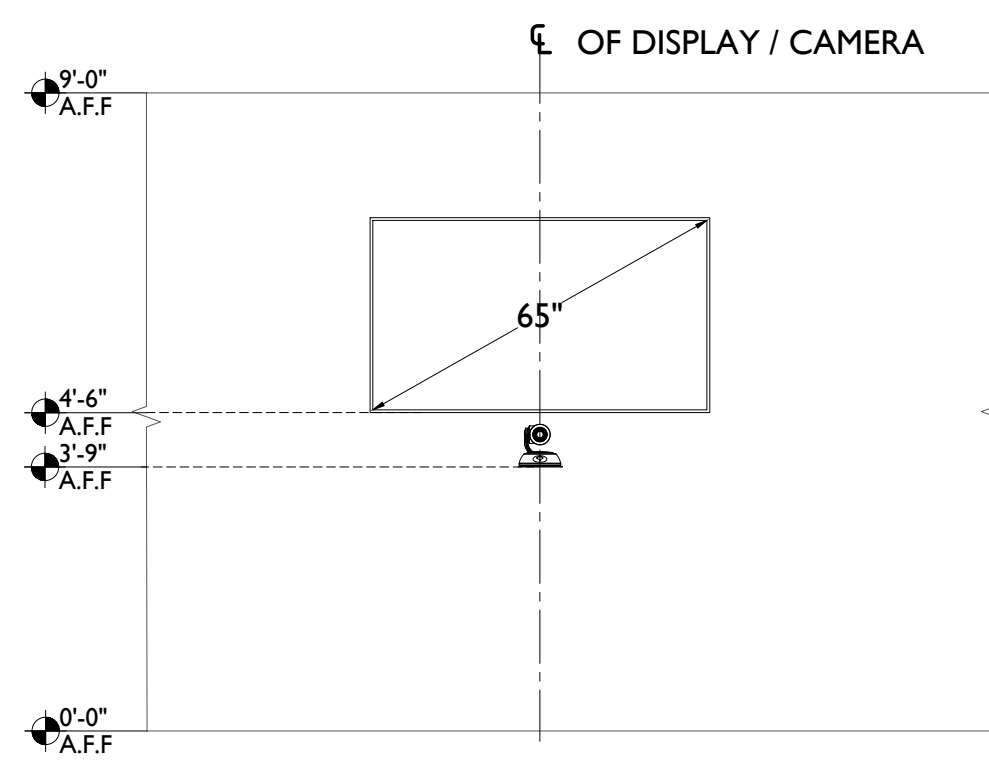
C



ELECTRICAL ELEVATION

SINGLE 70" W/ USB CAMERA BELOW
SCALE SIZE: 1/2" = 1'-0"

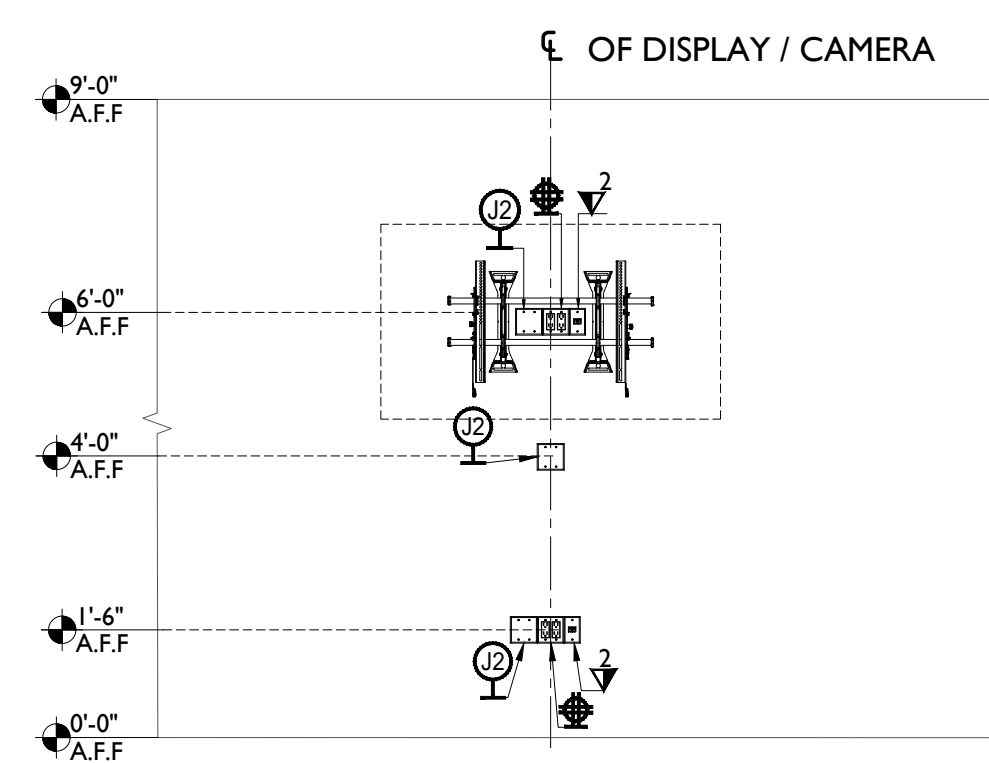
D



FACILITY ELEVATION

SINGLE 65" W/ USB CAMERA BELOW
SCALE SIZE: 1/2" = 1'-0"

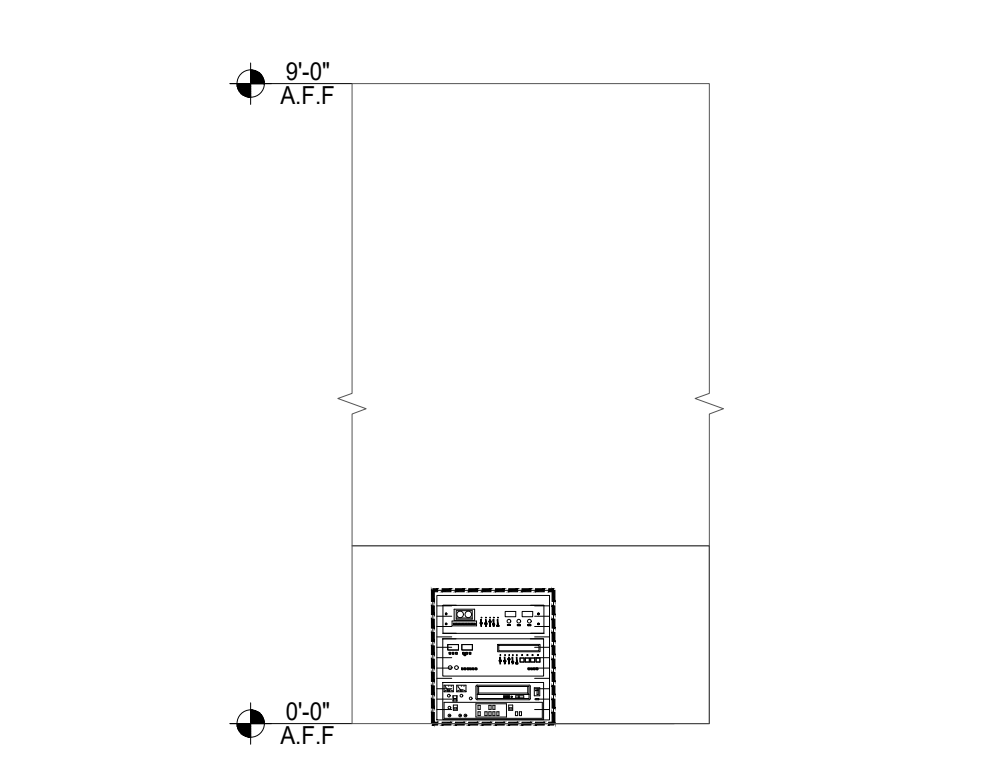
E



ELECTRICAL ELEVATION

SINGLE 65" W/ USB CAMERA BELOW
SCALE SIZE: 1/2" = 1'-0"

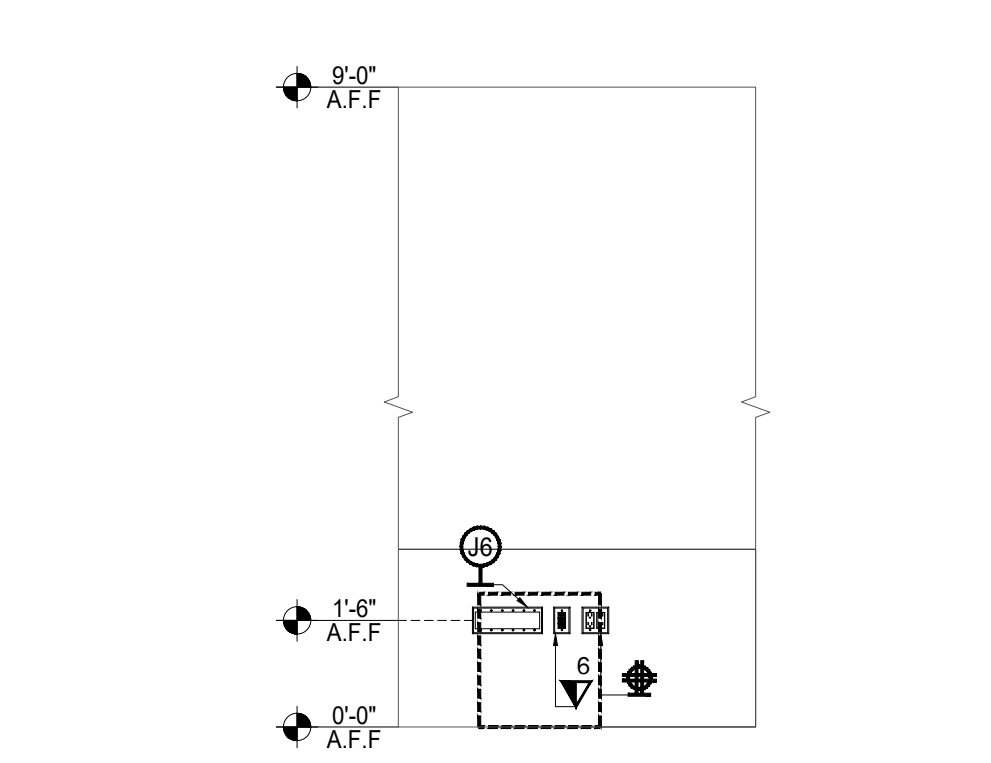
F



FACILITY ELEVATION

(1)AV EQUIPMENT RACK
SCALE SIZE: 1/2" = 1'-0"

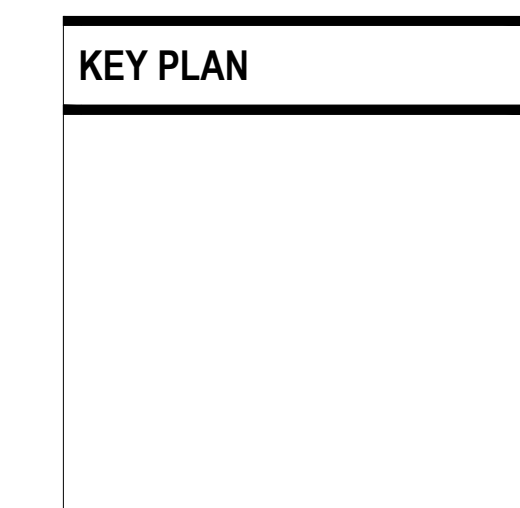
G



ELECTRICAL ELEVATION

(1)AV EQUIPMENT RACK
SCALE SIZE: 1/2" = 1'-0"

H



Date	Description
08/25/2017	REVIEW & COORDINATION

Seal / Signature

NOT FOR CONSTRUCTION

Project Name
Unum Workplace Transformation- Phase 1 (HO2)
Project Number
59.6481.003
Description

AUDIOVISUAL ELEVATIONS
Scale
1/8" = 1'-0"

AV.301.00