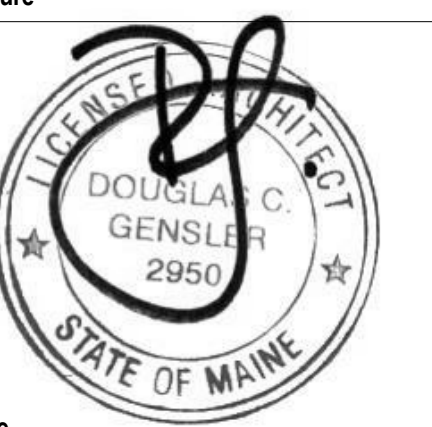


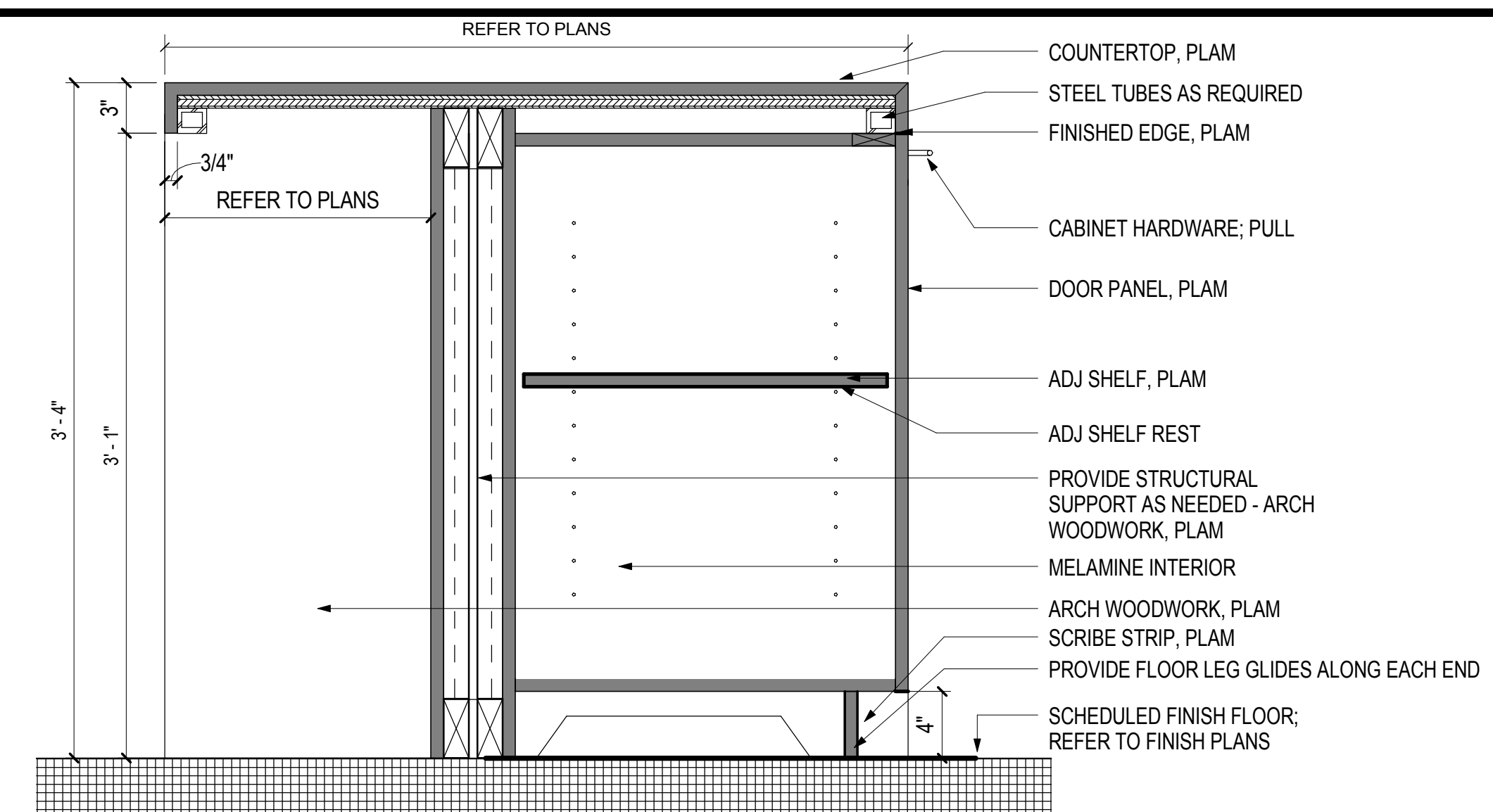
Seal / Signature



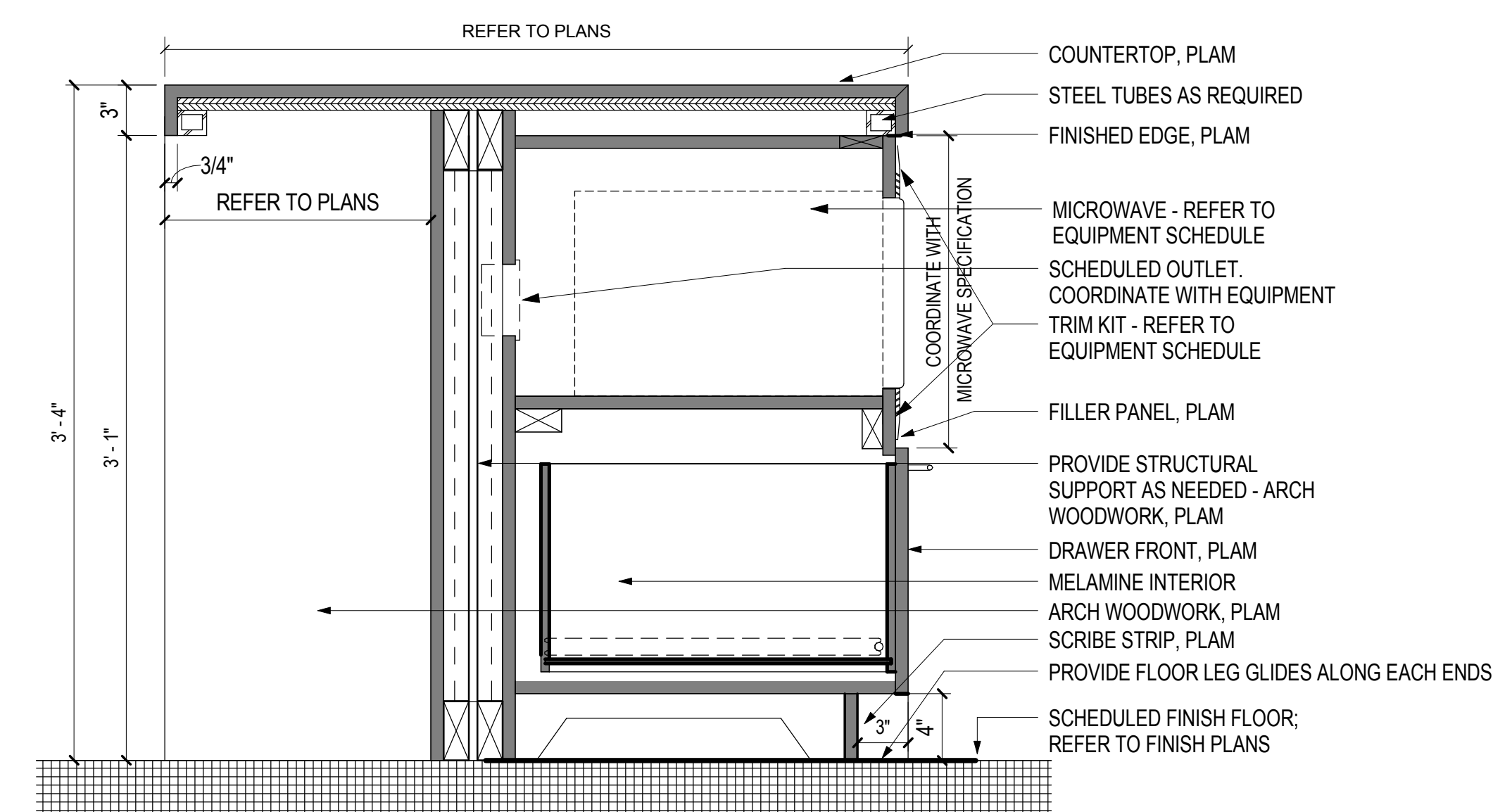
Project Name: Unum Workplace Transformation- Phase 1 (H02)
Project Number: 59.6481.003
Description: DETAILS - MILLWORK - PUBLIC SQUARE

Scale: As indicated

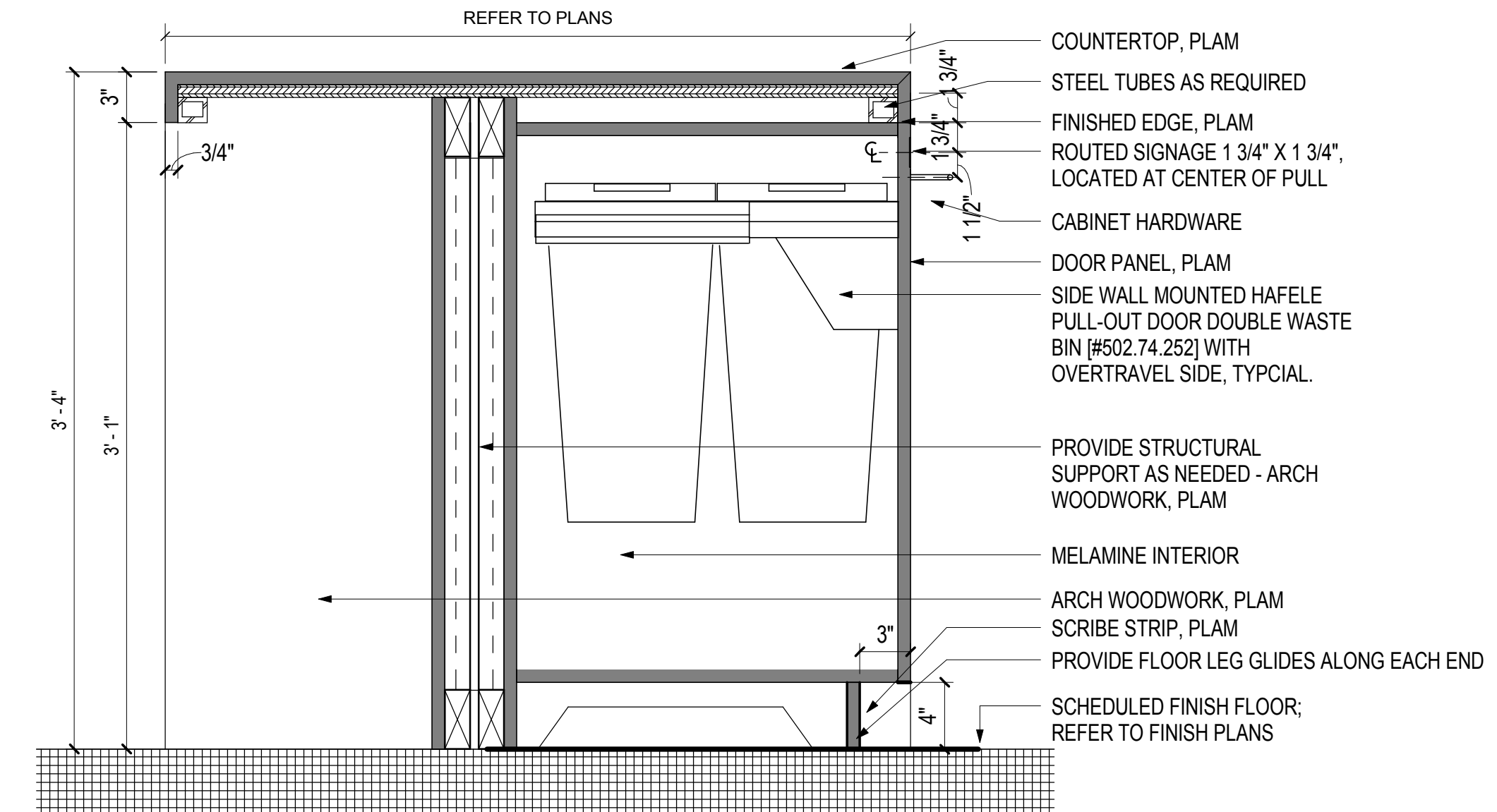
A08.501



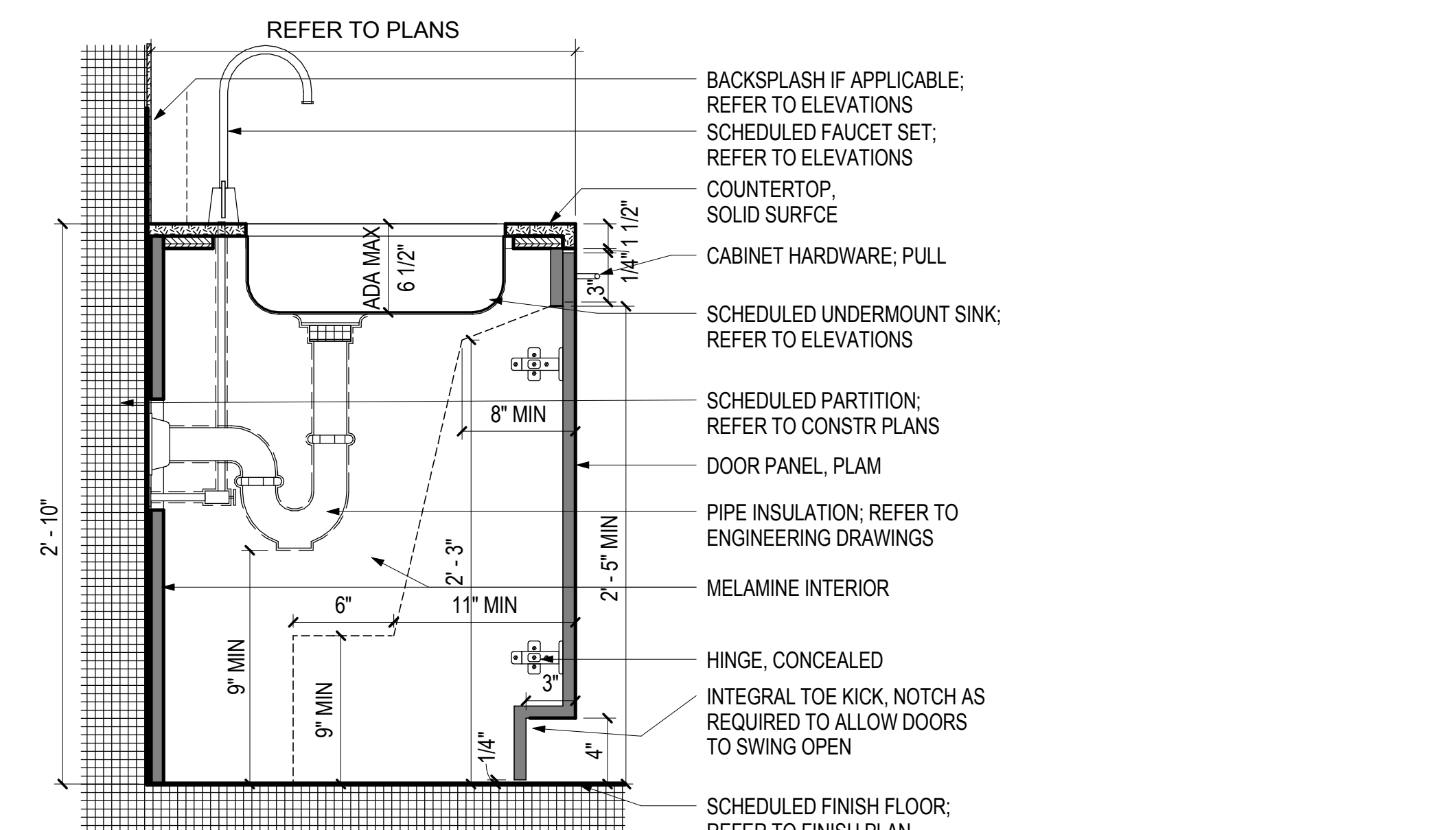
01 ISLAND CABINET - BASE CABINET
SCALE: 1 1/2" = 1'-0"



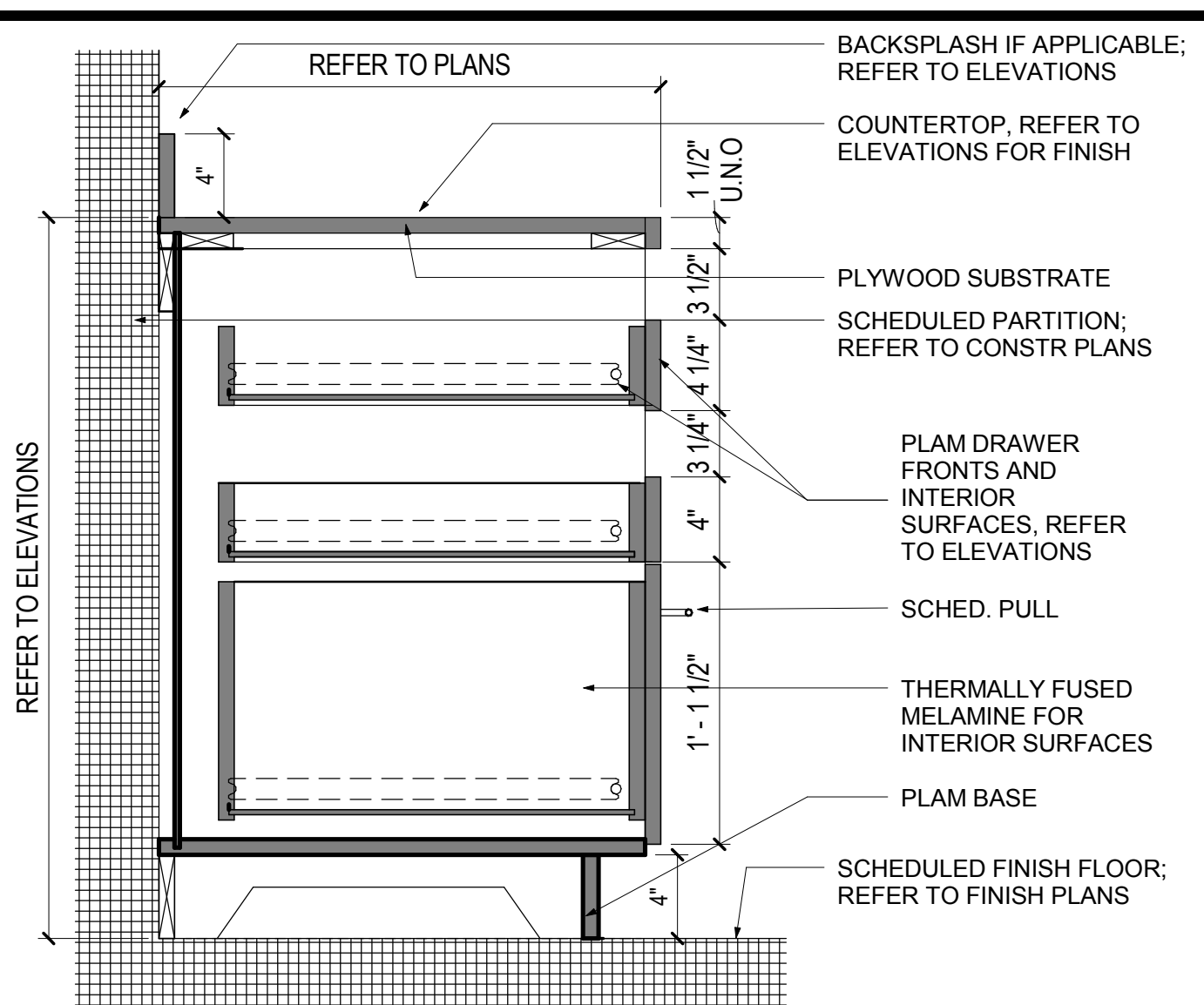
02 ISLAND CABINET - MICROWAVE
SCALE: 1 1/2" = 1'-0"



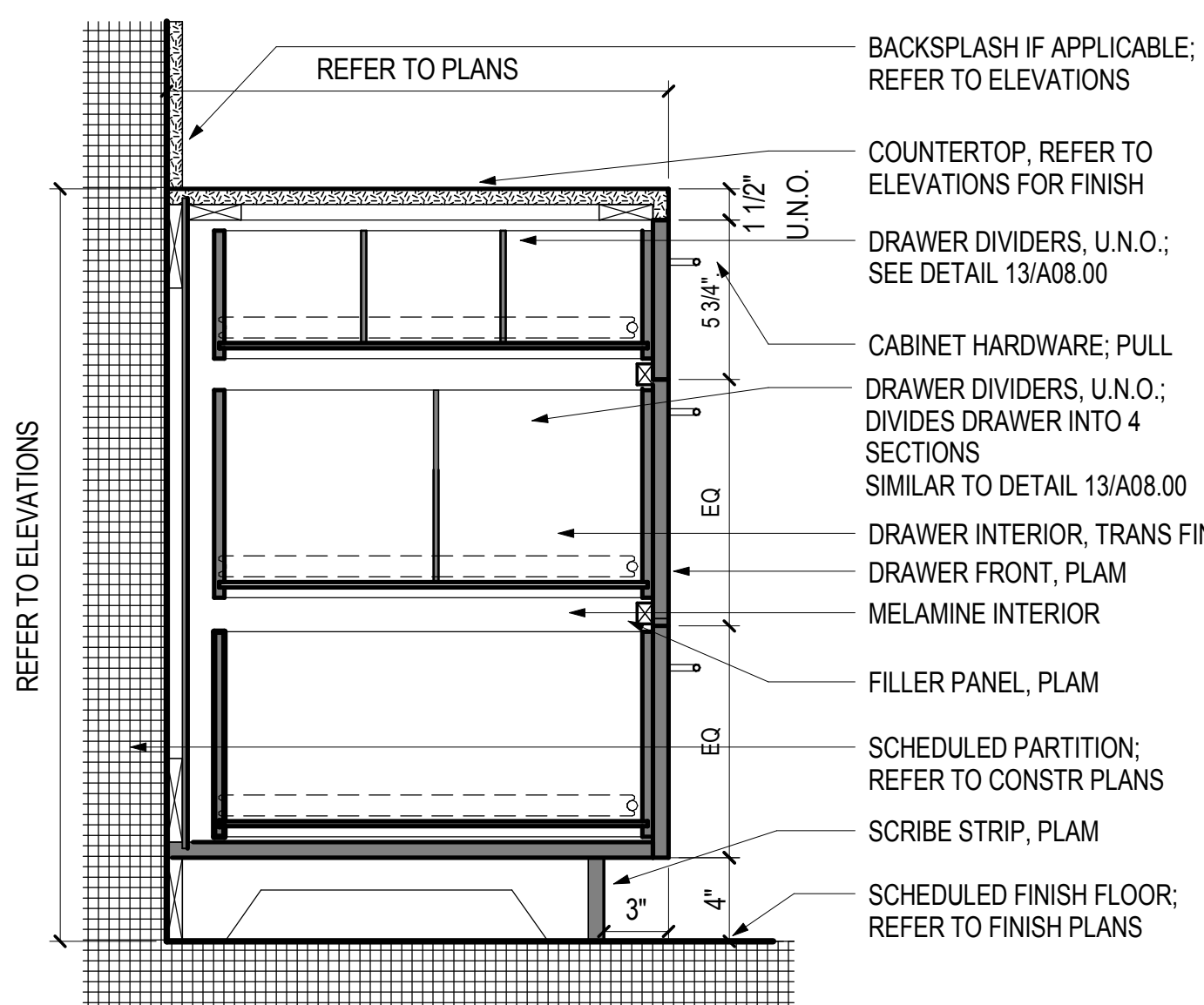
03 ISLAND CABINET - PULL OUT TRASH CABINET
SCALE: 1 1/2" = 1'-0"



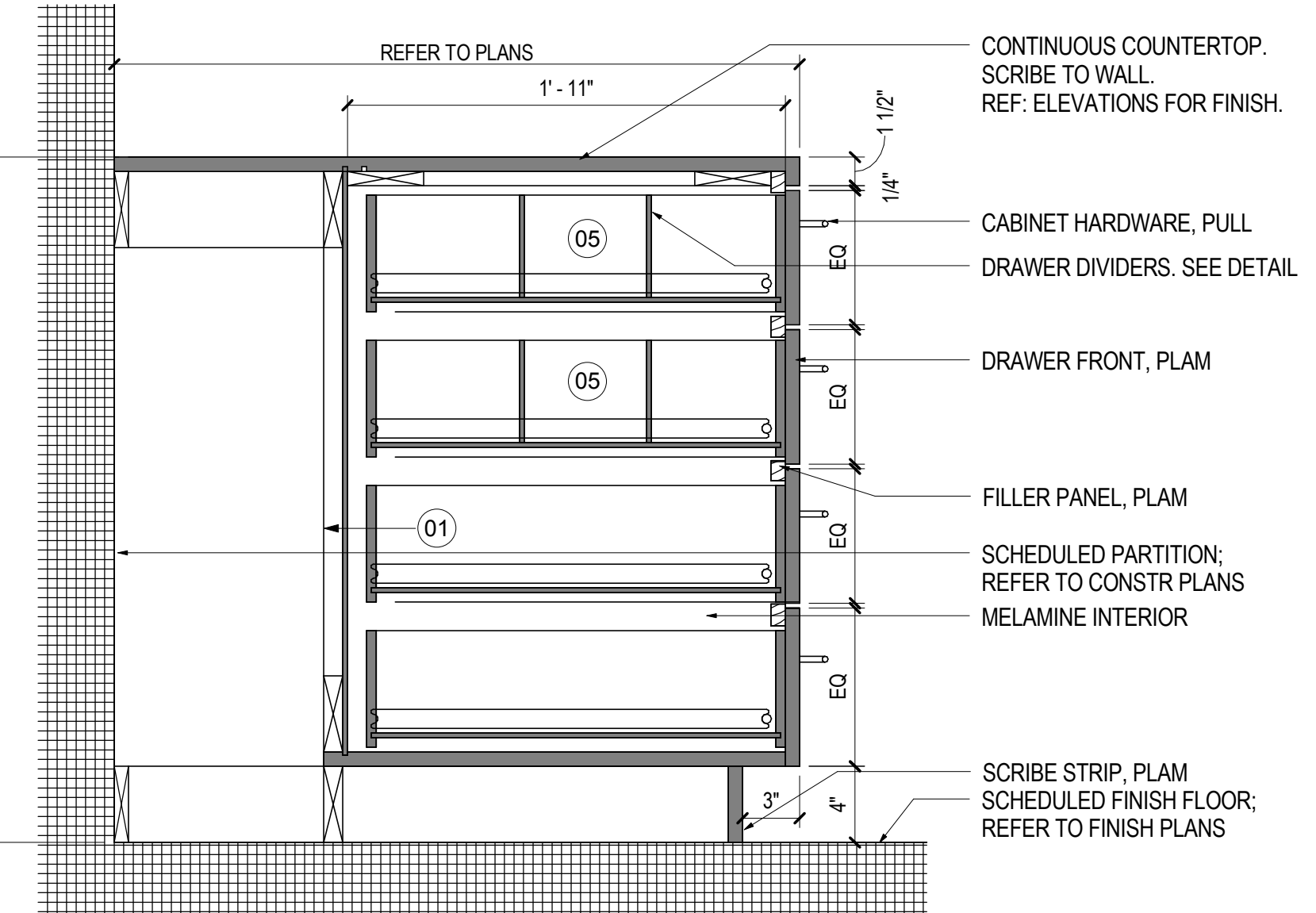
04 BASE CABINET - ADA SINK
SCALE: 1 1/2" = 1'-0"



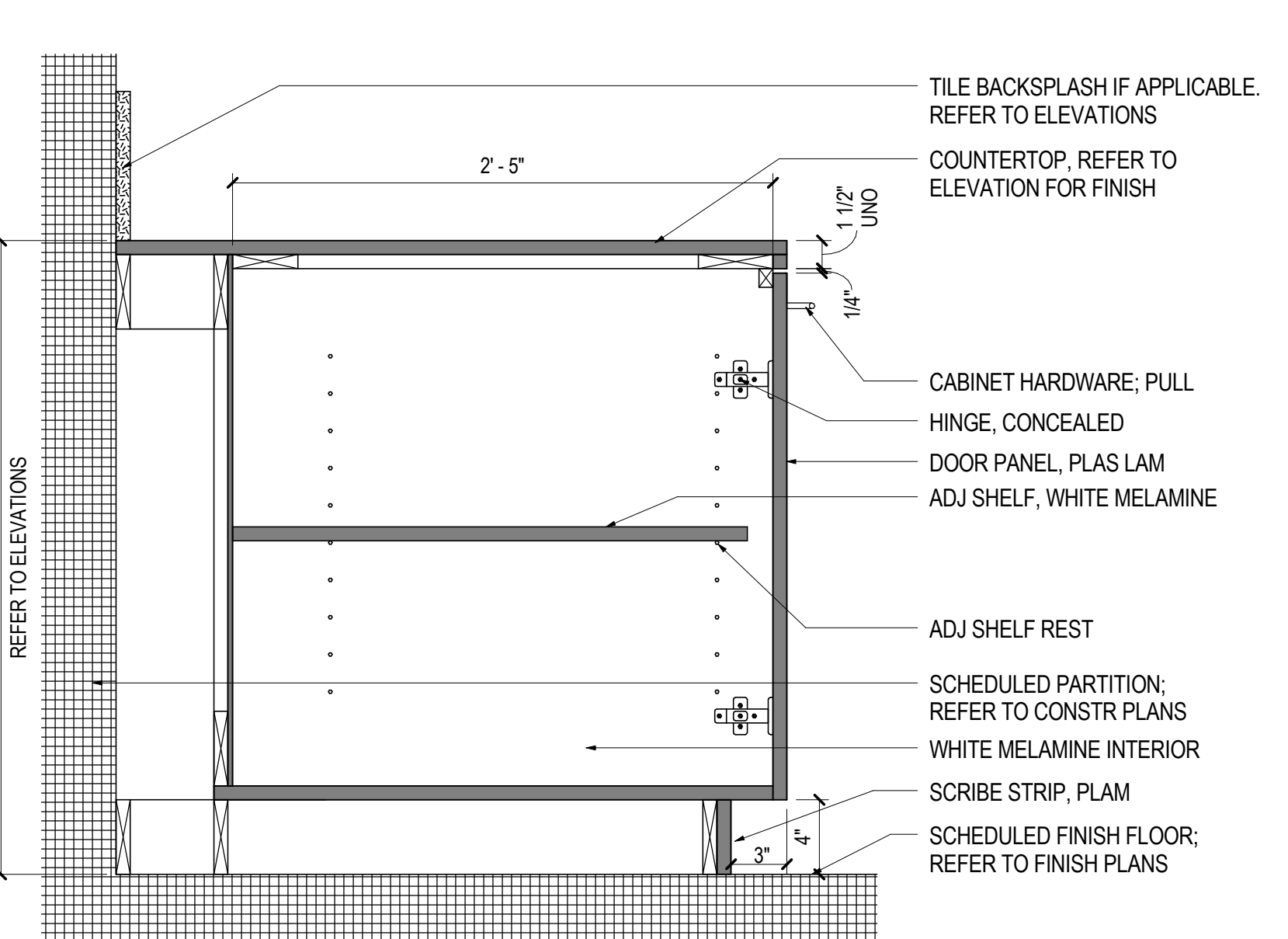
05 BASE CABINET - SNACK DRAWERS
SCALE: 1 1/2" = 1'-0"



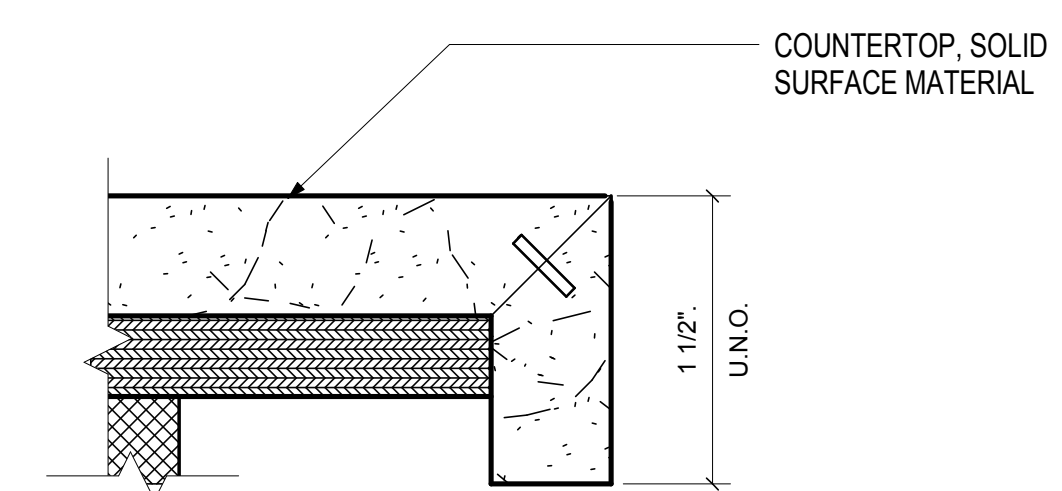
06 BASE CABINET - THREE DRAWER
SCALE: 1 1/2" = 1'-0"



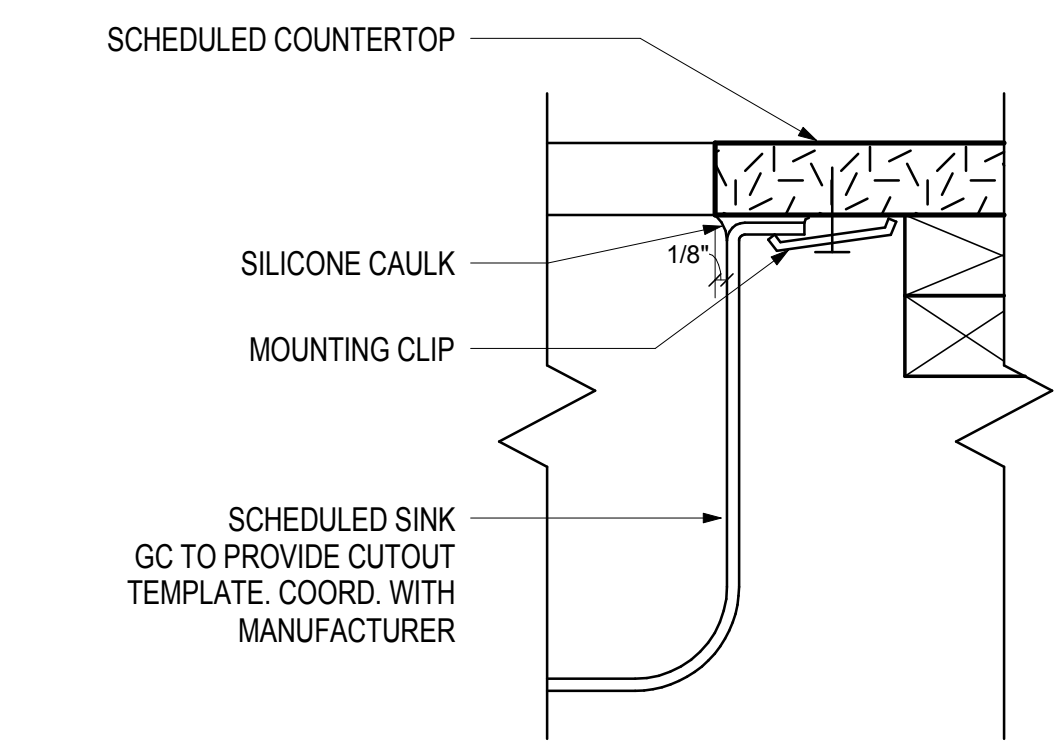
07 BASE CABINET WITH DRAWERS - PUBLIC SQUARE
SCALE: 1 1/2" = 1'-0"



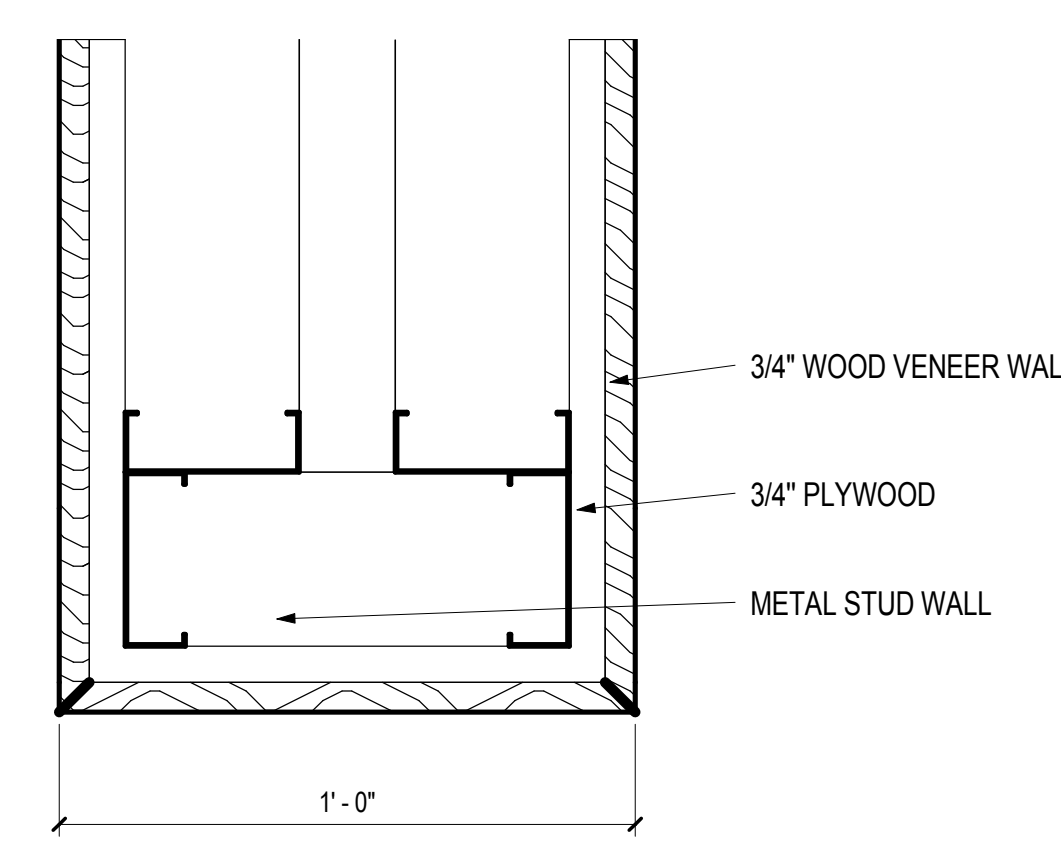
08 BASE CABINET WITH DOORS - PUBLIC SQUARE
SCALE: 1 1/2" = 1'-0"



10 TYP. SOLID SURFACE MATERIAL CORNER
SCALE: 6" = 1'-0"



11 SINK EDGE @ SOLID SURFACE
SCALE: 6" = 1'-0"



12 WOOD PANEL WRAP AROUND
SCALE: 3" = 1'-0"