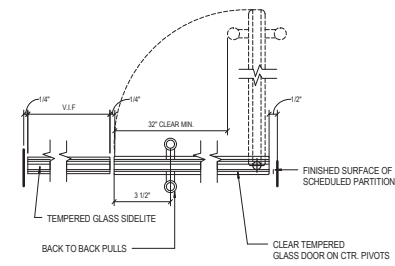
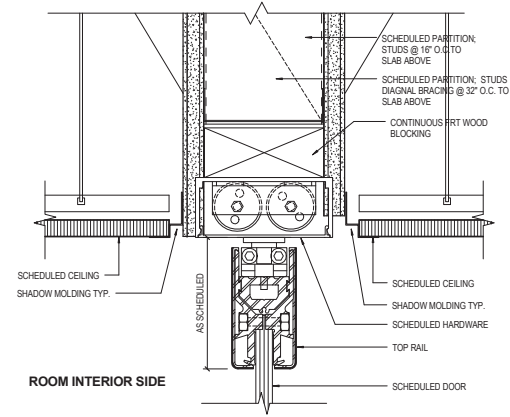


**13 HOLLOW METAL FRAME JAMB DETAIL**  
SCALE: 3" = 1'-0"



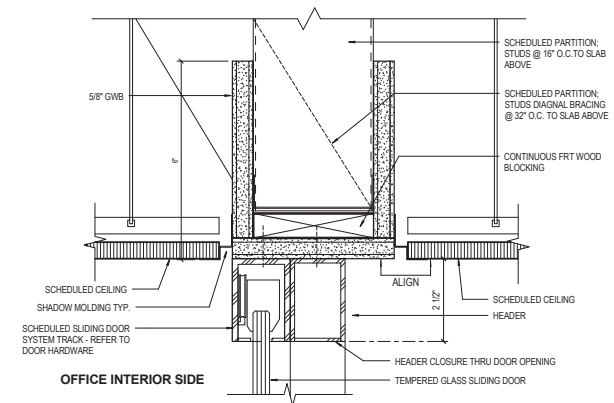
\*PROVIDE CONTINUOUS 1/8" CLEAN AND CLEAR SILICONE CAULK AT ALL VERTICAL JOINTS

**09 GLASS PIVOT DOOR1**  
SCALE: 3" = 1'-0"



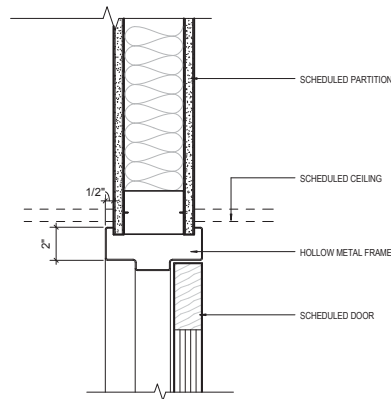
ROOM INTERIOR SIDE

**05 PIVOT DOOR HEAD DETAIL**  
SCALE: 6" = 1'-0"

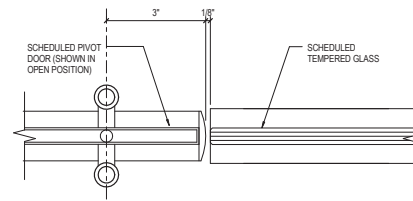


OFFICE INTERIOR SIDE

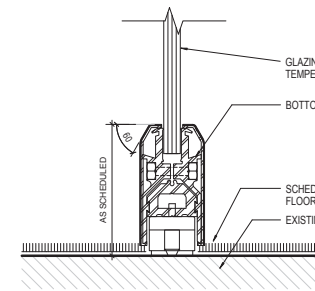
**01 SLIDING GLASS DOOR HEAD DETAIL**  
SCALE: 6" = 1'-0"



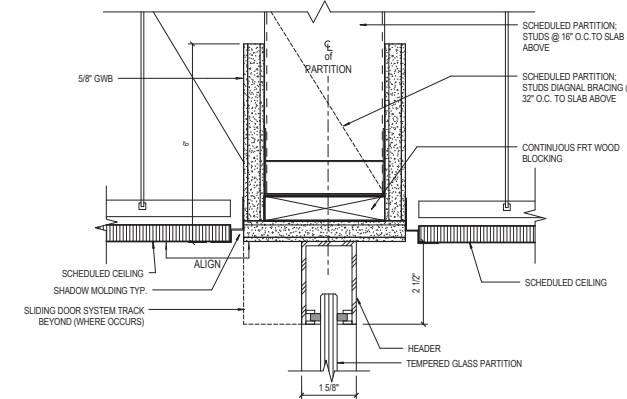
**14 HOLLOW METAL FRAME HEAD DETAIL**  
SCALE: 3" = 1'-0"



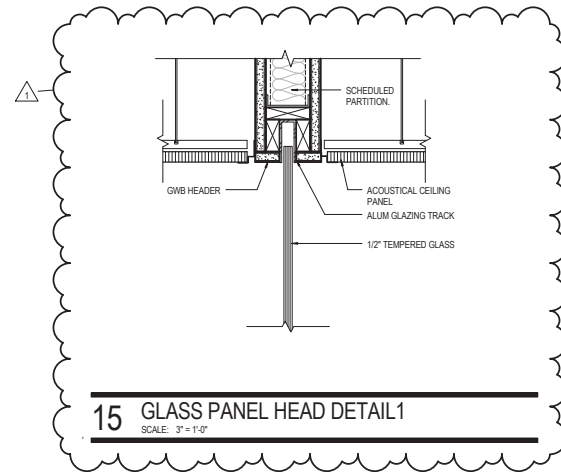
**10 PIVOT DOOR JAMB DETAIL**  
SCALE: 6" = 1'-0"



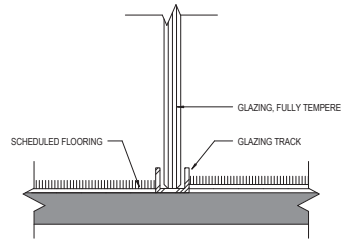
**06 PIVOT DOOR SILL DETAIL**  
SCALE: 6" = 1'-0"



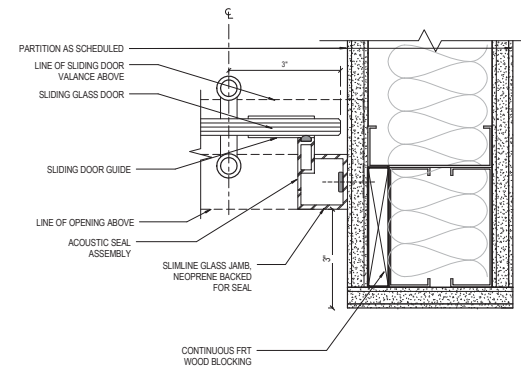
**02 GLAZING HEAD DETAIL**  
SCALE: 6" = 1'-0"



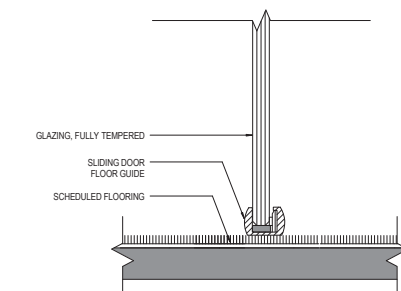
**15 GLASS PANEL HEAD DETAIL1**  
SCALE: 3" = 1'-0"



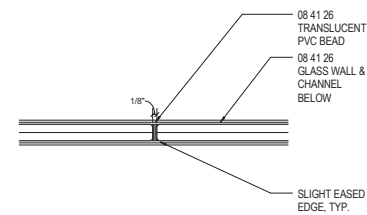
**11 GLASS PANEL SILL DETAIL1**  
SCALE: 6" = 1'-0"



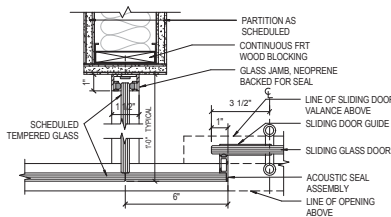
**07 SLIDING GLASS JAMB DETAIL**  
SCALE: 6" = 1'-0"



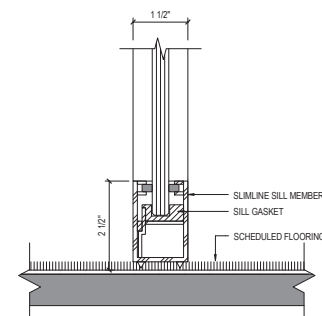
**03 SLIDING GLASS DOOR SILL DETAIL**  
SCALE: 6" = 1'-0"



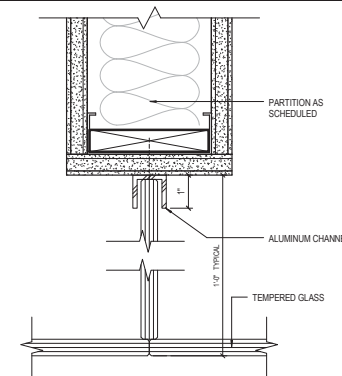
**20 TYP. PLAN DETAIL @ GLASS JOINT1**  
SCALE: 6" = 1'-0"



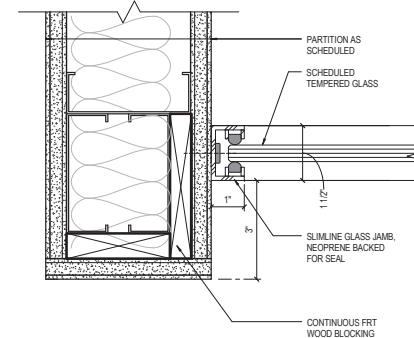
**16 SLIDING GLASS DOOR JAMB DETAIL**  
SCALE: 3" = 1'-0"



**12 GLAZING SILL DETAIL1**  
SCALE: 6" = 1'-0"



**08 GLASS RETURN @ FIXED PANEL**  
SCALE: 6" = 1'-0"



**04 GLASS JAMB DETAIL**  
SCALE: 6" = 1'-0"

Date	Description
08/18/17	ISSUE FOR PERMIT & CONSTRUCTION
08/25/17	ADDENDUM #1

Seal / Signature

Project Name  
**Unum Workplace Transformation-Phase 1 (H02)**  
Project Number  
**59.6481.003**  
Description  
**DOOR AND GLAZING DETAILS**

Scale  
As indicated

**A00.012**