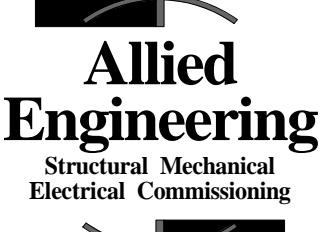




PDT ARCHITECTS
 48 DARTMOUTH STREET
 PORTLAND, MAINE 04101
 207-775-1059
 www.pdtarchs.com



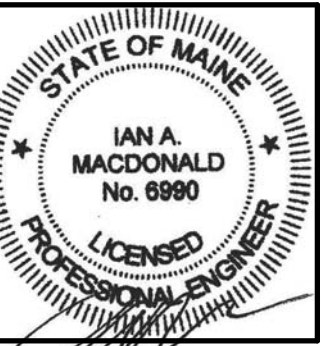
Allied Engineering
 Structural Mechanical
 Electrical Commissioning
 160 Veranda Street
 Portland, Maine 04103
 T: 207.221.2260
 F: 207.221.2266
 Web: www.allied-eng.com

Allied Project No: 14085
 CAD file:

COPYRIGHT 2014
 PDT Architects
 Reuse or reproduction of the
 contents of this document is not
 permitted without written
 permission of PDT Architects.

2016 UNUM - HO1 3RD FLOOR FIT UP (NORTH WING)
 2211 CONGRESS STREET, PORTLAND, MAINE 04112

No.	Date	Description
Revision Schedule		



JOB NO:
14-074

DRWN: CHK:
Author Checker

SCALE:
AS SHOWN

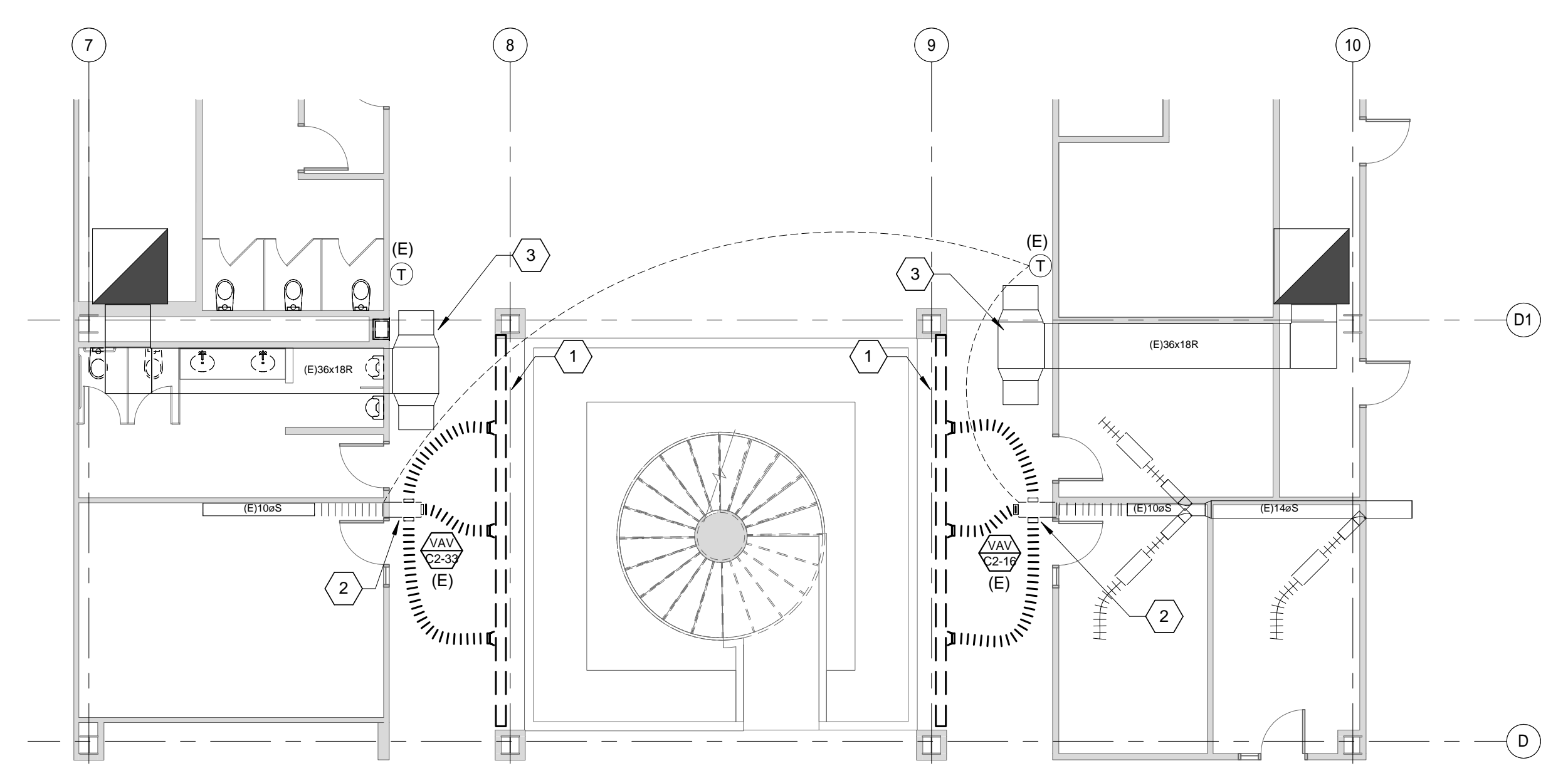
ISSUE: 12 FEB 16

PERMIT SET

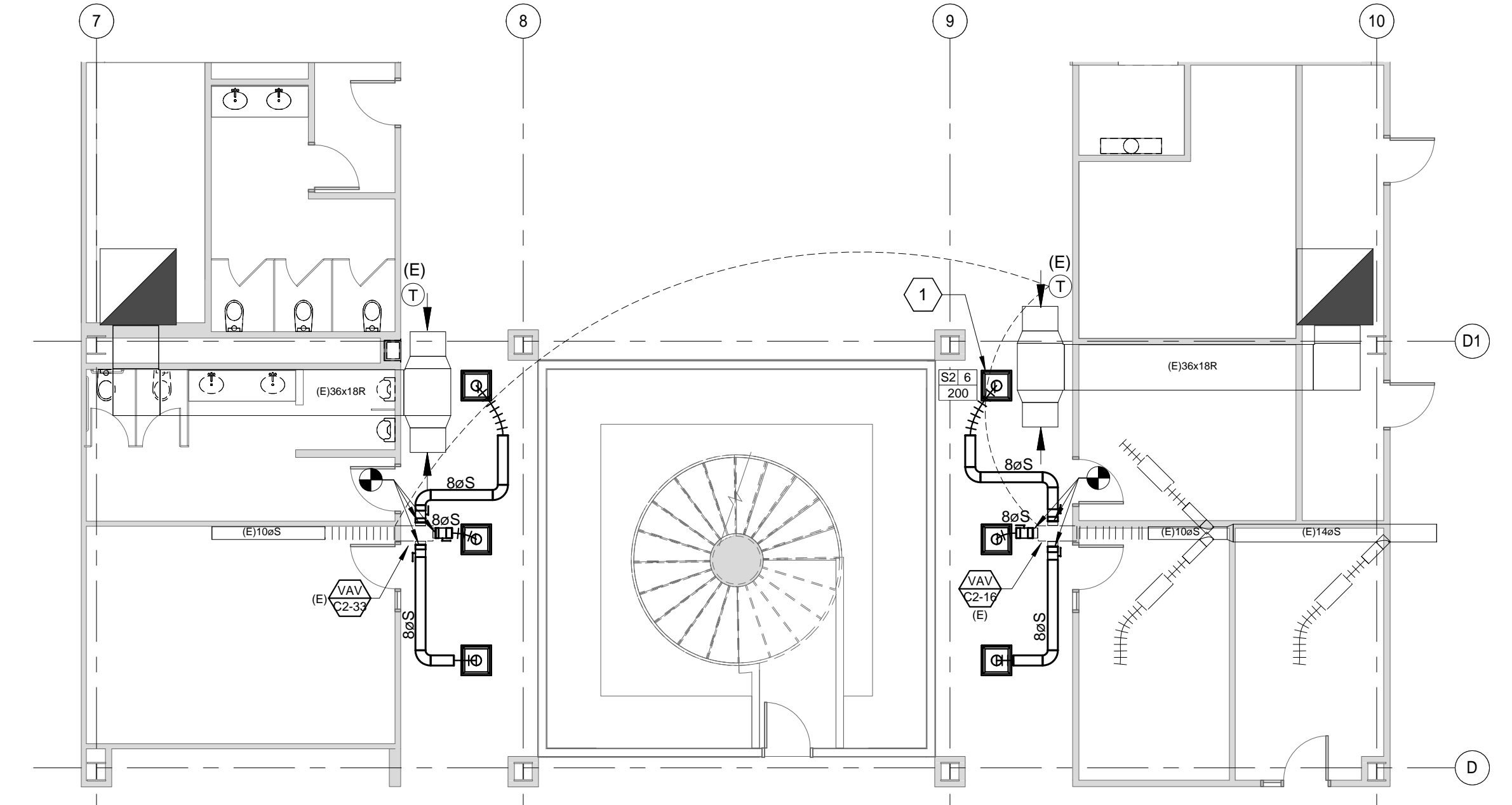
TITLE
MECHANICAL
FLOOR PLANS

SHEET

MH-103



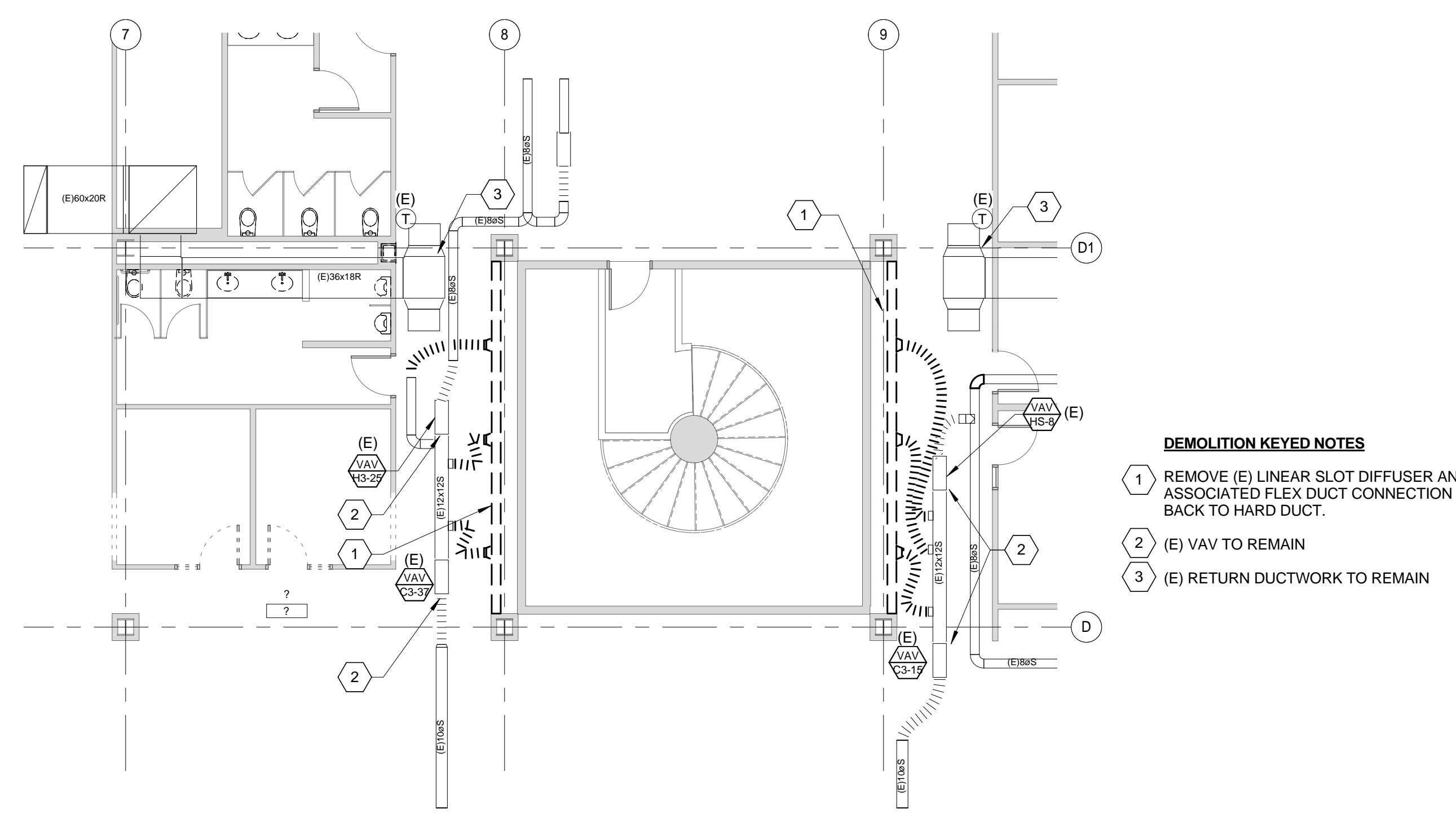
- DEMOLITION KEYED NOTES**
- 1 REMOVE (E) LINEAR SLOT DIFFUSER AND ASSOCIATED FLEX DUCT CONNECTION BACK TO HARD DUCT.
 - 2 (E) VAV TO REMAIN
 - 3 (E) RETURN DUCTWORK TO REMAIN



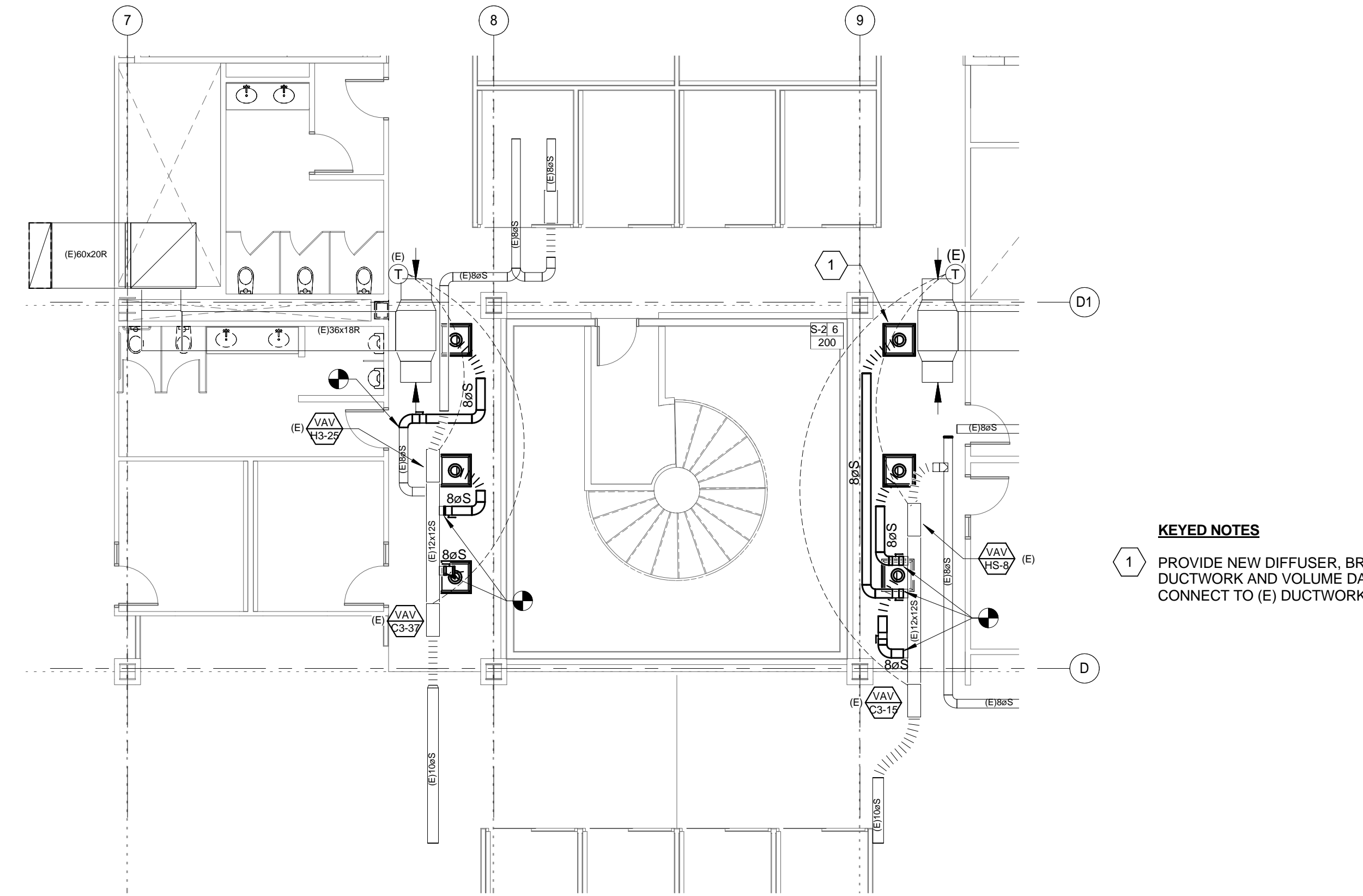
- KEYED NOTES**
- 1 PROVIDE NEW DIFFUSER, BRANCH DUCTWORK AND VOLUME DAMPER, CONNECT TO (E) DUCTWORK, TYP 6.

E1 SECOND FLOOR - STAIR ENCLOSURE HVAC DEMO PLAN
 1/8" = 1'-0"

E6 SECOND FLOOR STAIR ENCLOSURE HVAC PLAN
 1/8" = 1'-0"



- DEMOLITION KEYED NOTES**
- 1 REMOVE (E) LINEAR SLOT DIFFUSER AND ASSOCIATED FLEX DUCT CONNECTION BACK TO HARD DUCT.
 - 2 (E) VAV TO REMAIN
 - 3 (E) RETURN DUCTWORK TO REMAIN



- KEYED NOTES**
- 1 PROVIDE NEW DIFFUSER, BRANCH DUCTWORK AND VOLUME DAMPER, CONNECT TO (E) DUCTWORK, TYP 6.

A1 THIRD FLOOR - STAIR ENCLOSURE HVAC DEMO PLAN
 1/8" = 1'-0"

A6 THIRD FLOOR STAIR ENCLOSURE HVAC PLAN
 1/8" = 1'-0"