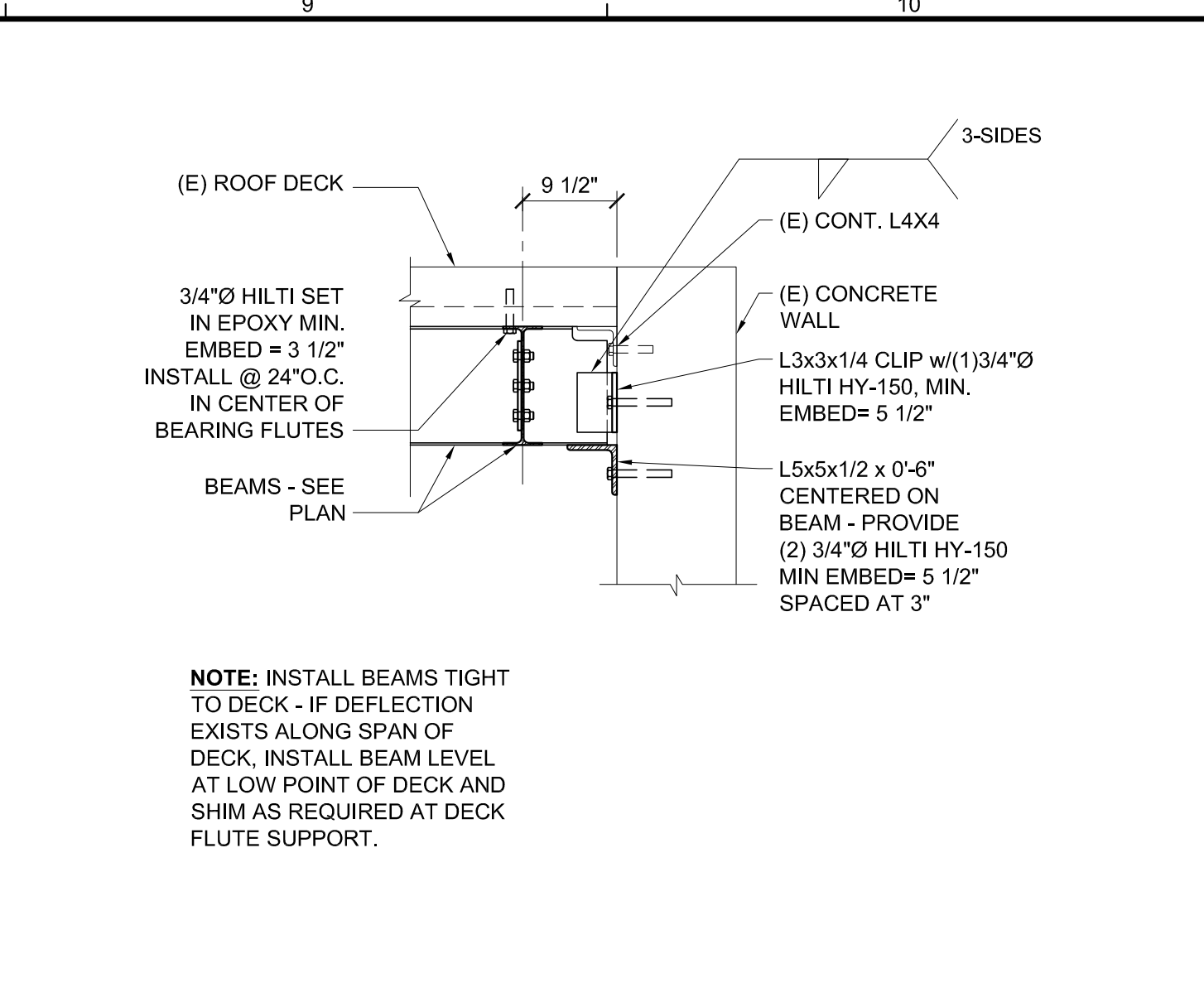
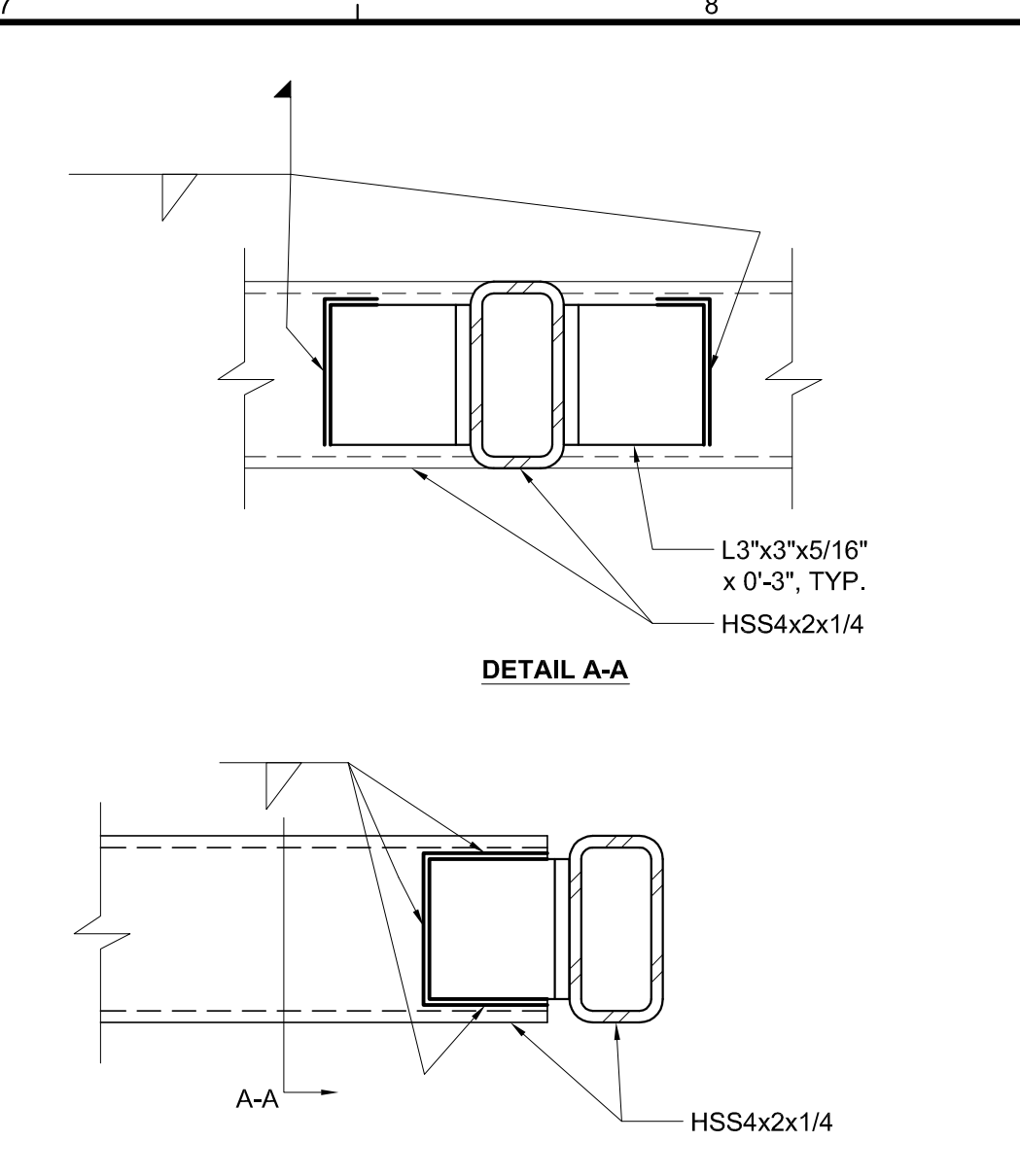
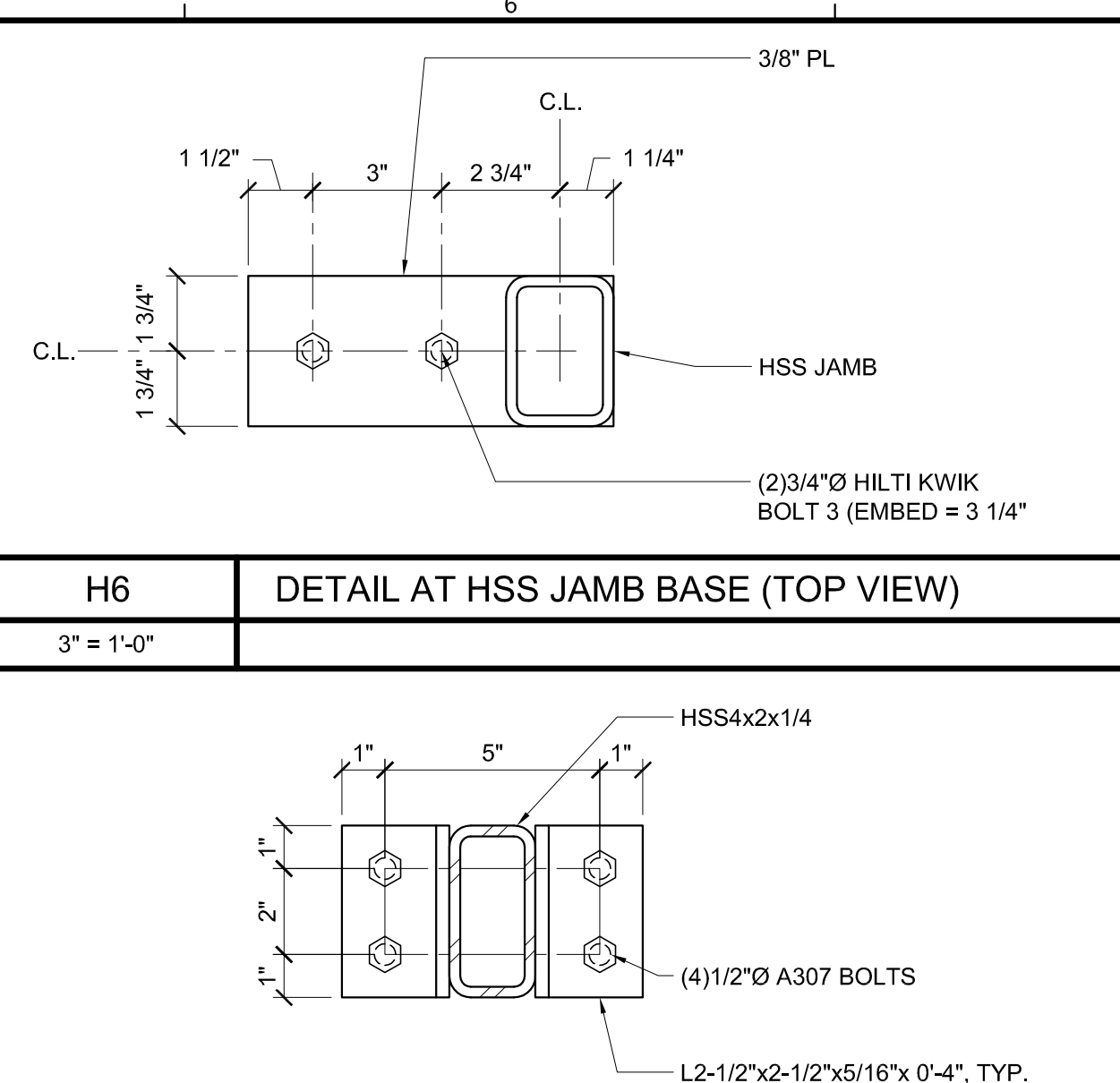
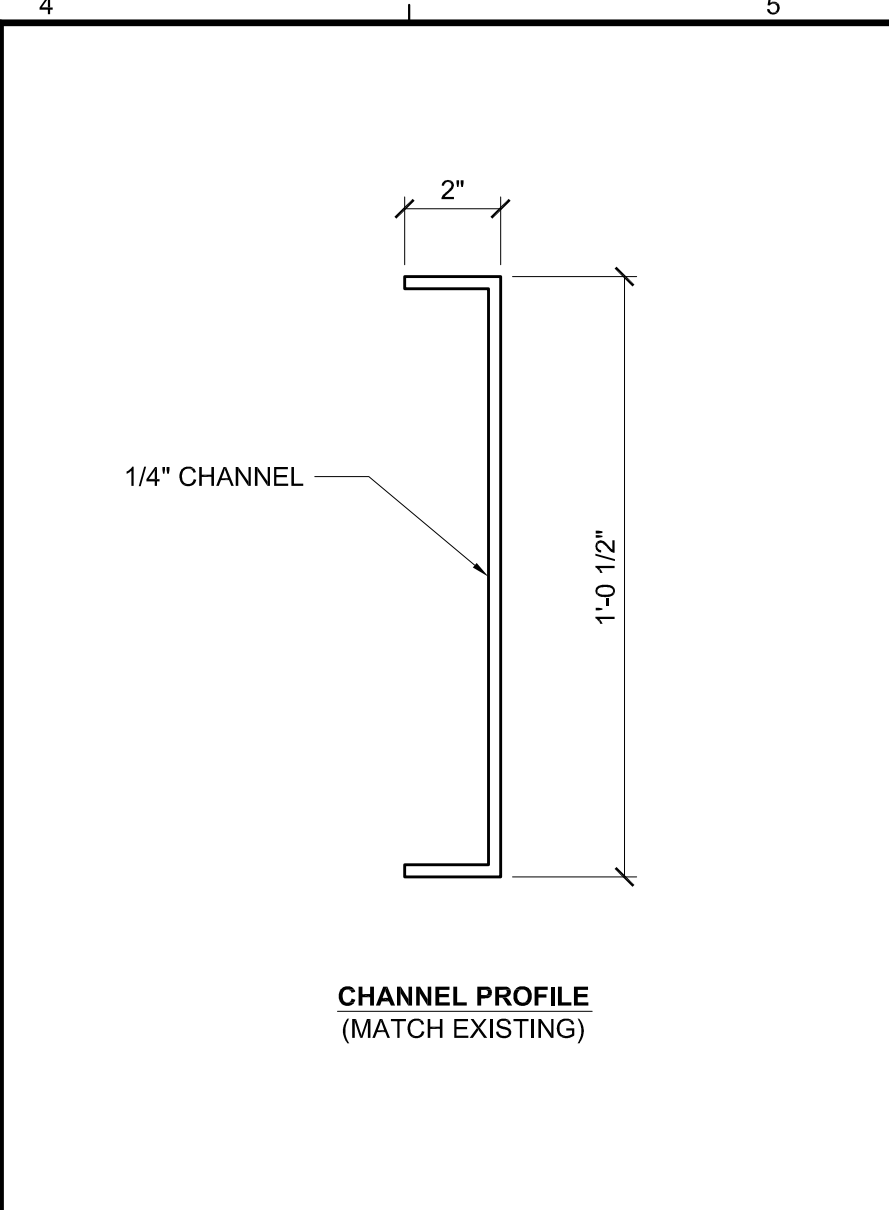
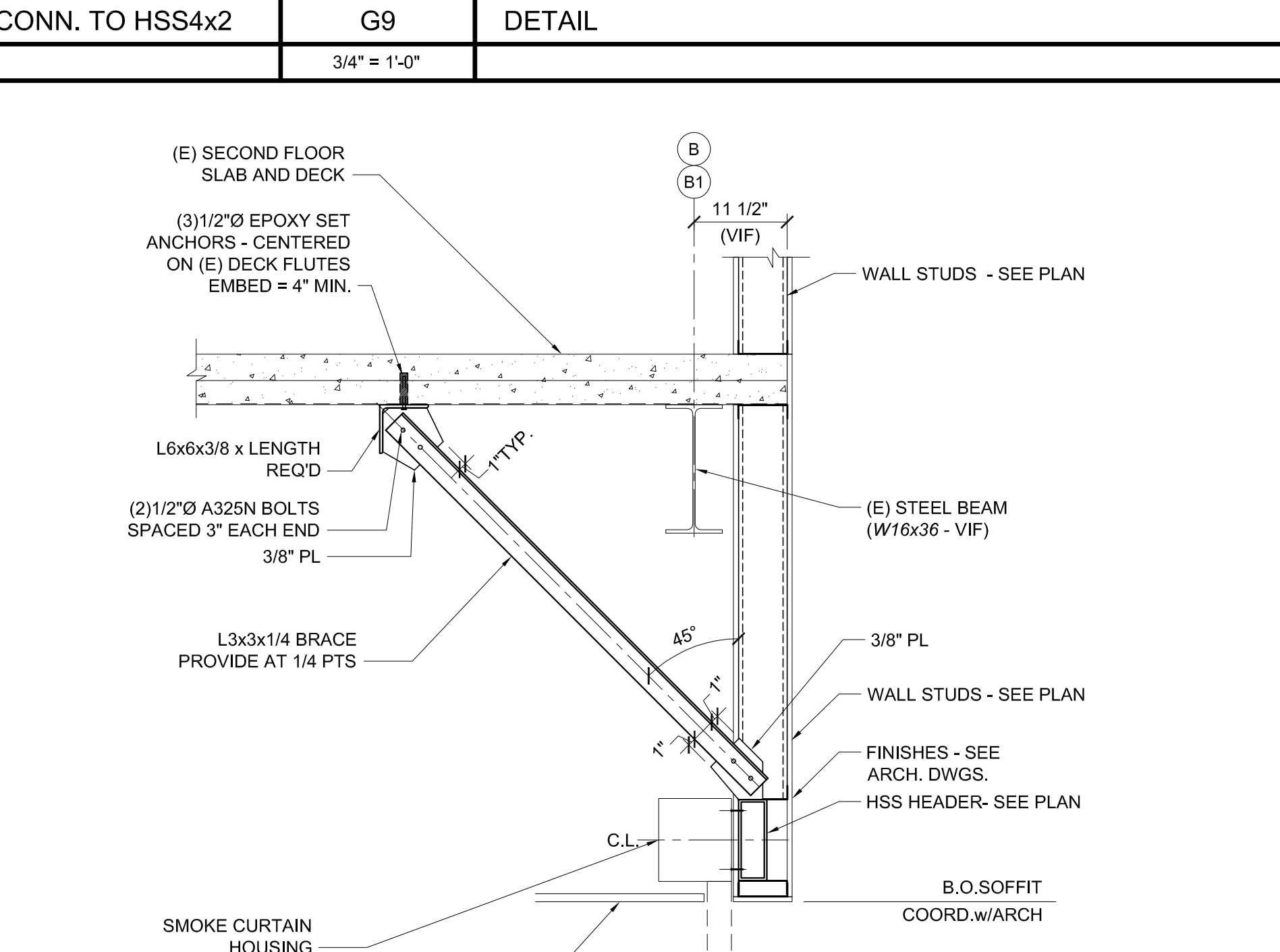
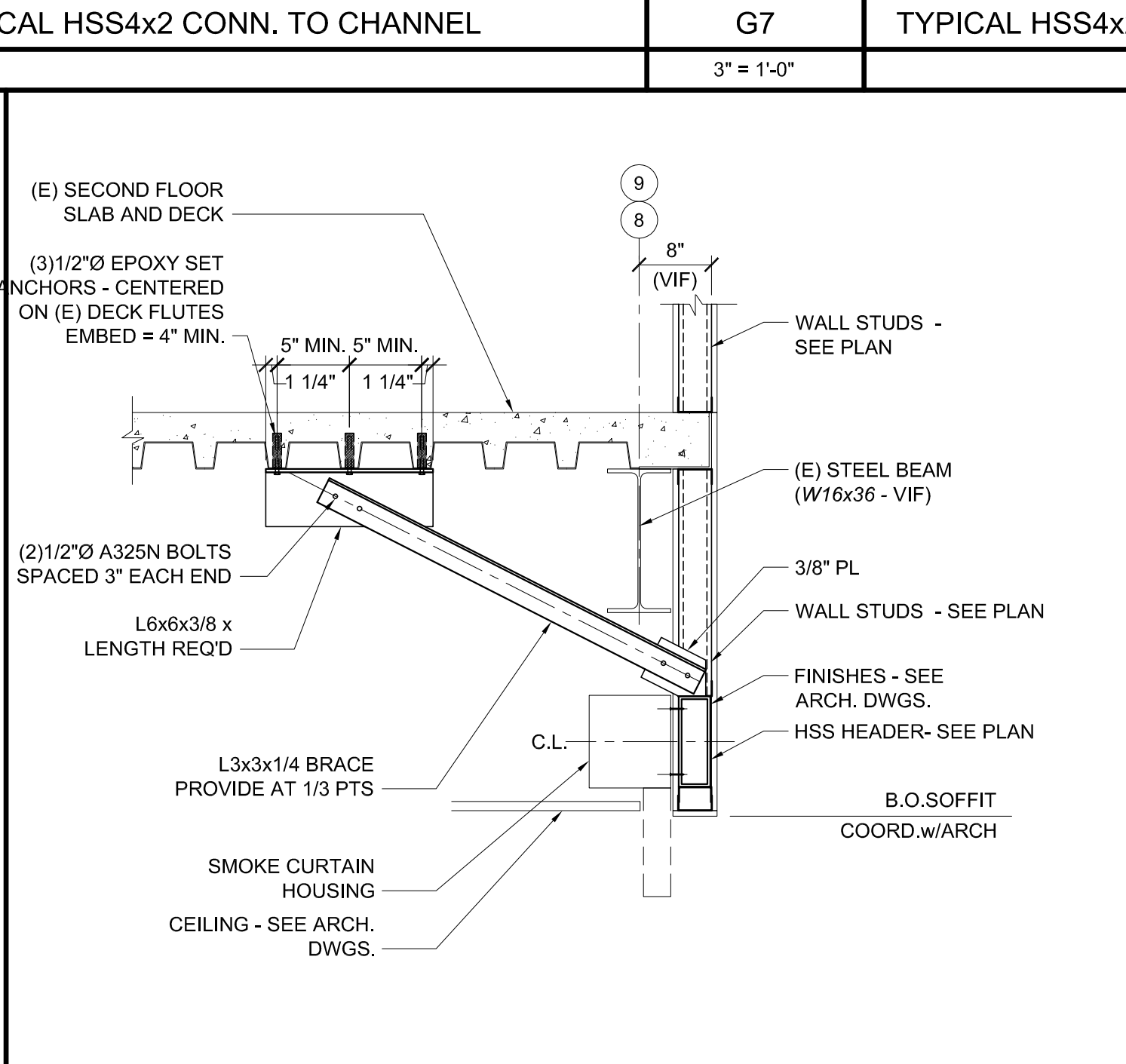
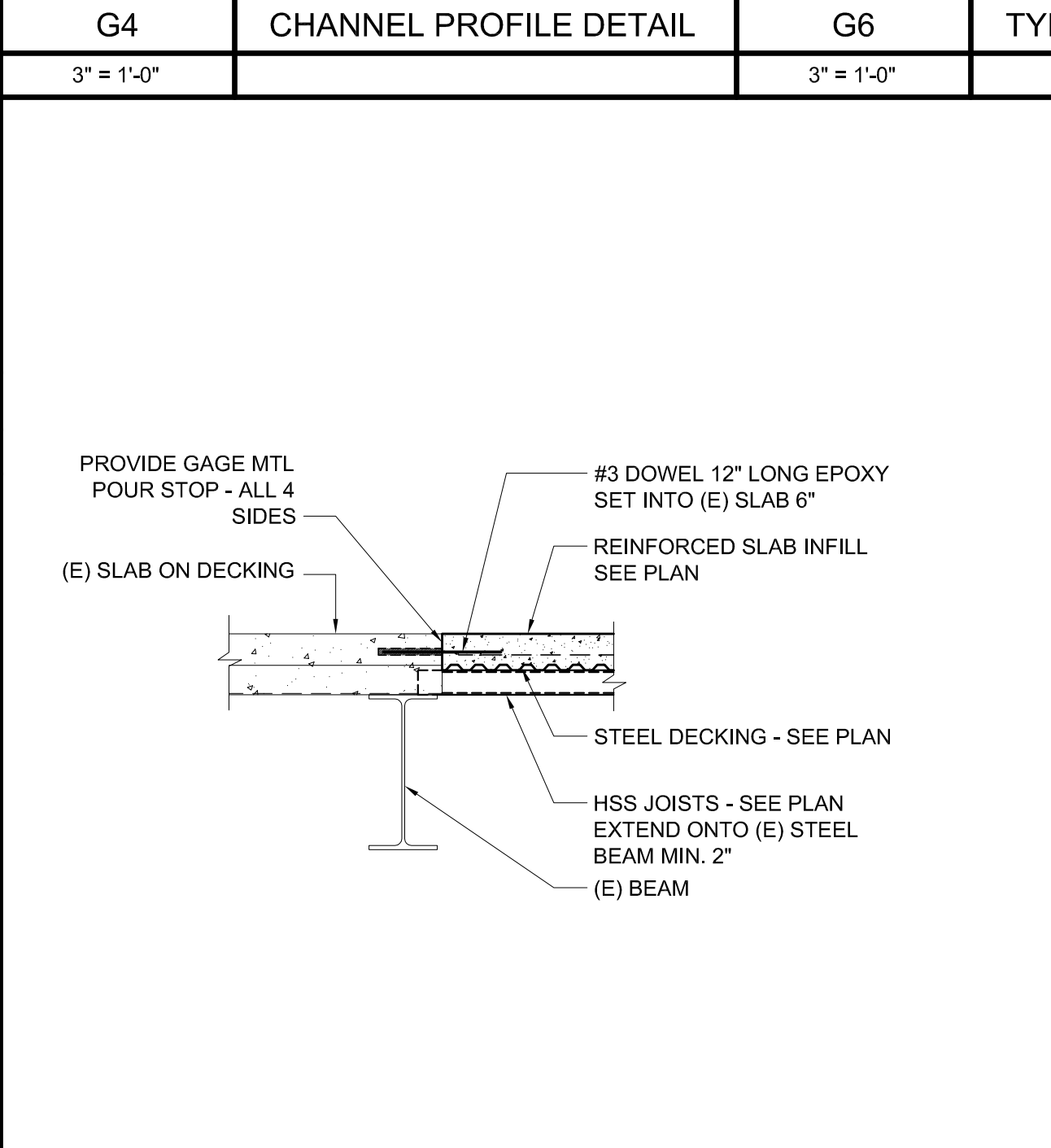
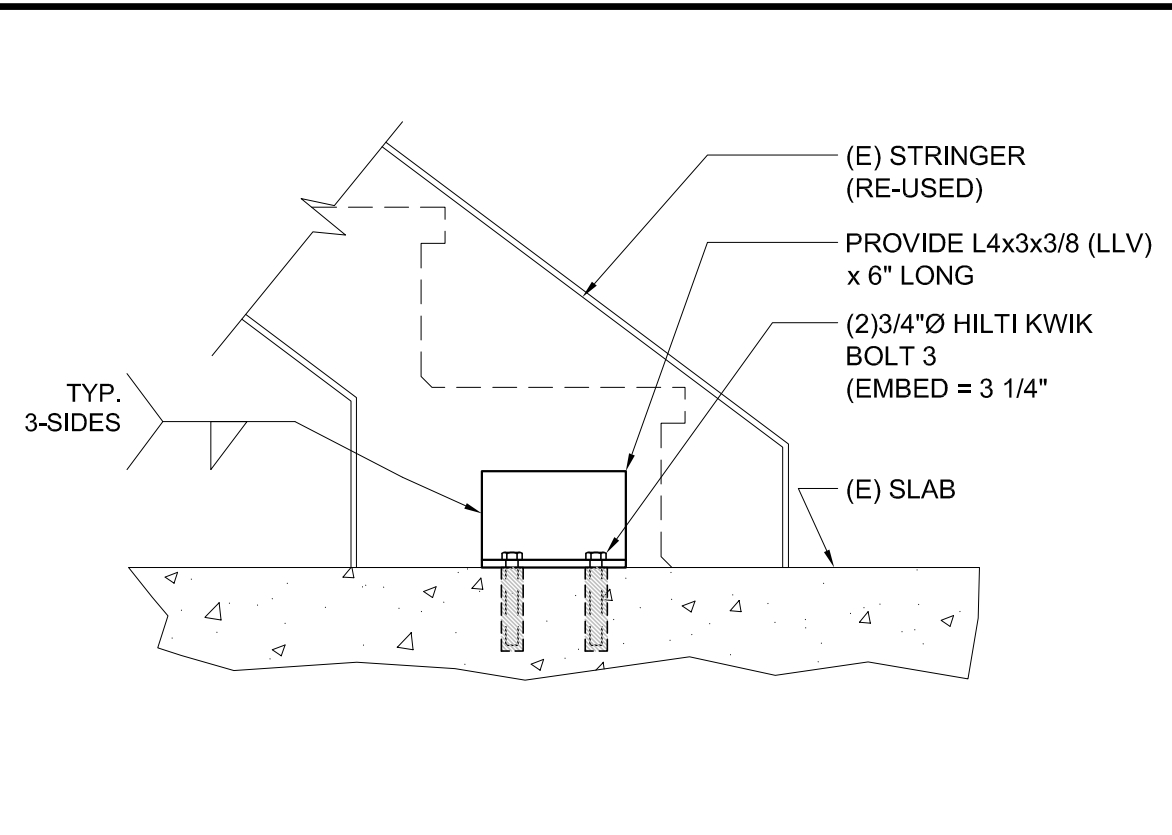
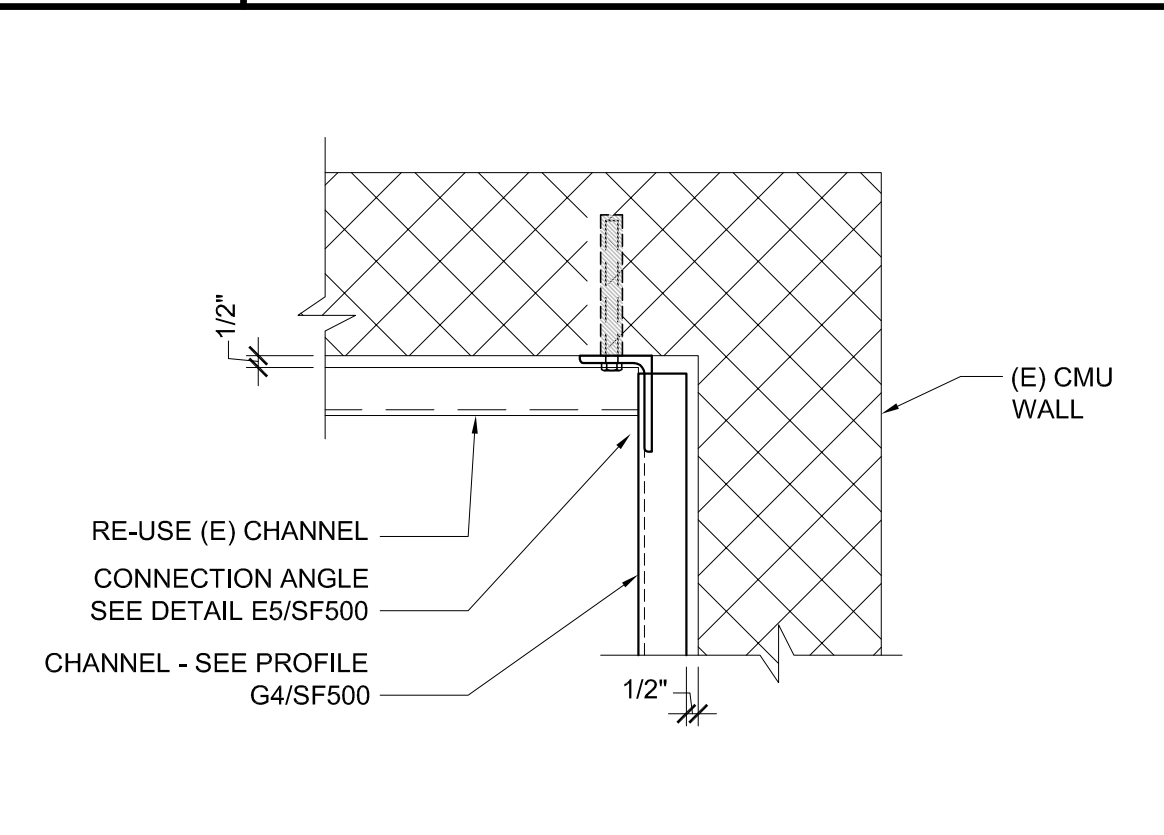


- ALL CONTRACTORS SHALL CONFORM TO SAFETY REQUIREMENTS OF THE OWNER, AIA DOCUMENT A201, OSHA SAFETY AND HEALTH STANDARDS, AND OTHER LOCAL AUTHORITIES IN CONNECTION WITH THE PERFORMANCE OF THIS PROJECT.
- ALL REFERENCED STANDARDS OR PUBLICATIONS SHALL PERTAIN TO THE MOST CURRENT DATA, STANDARD OR PUBLICATION, UNLESS NOTED OTHERWISE.
- NOTES ON THESE DRAWINGS SHALL NOT SUPERSEDE OR REPLACE INFORMATION PROVIDED IN THE SPECIFICATIONS. ANY INCONSISTENCIES WITH THE DRAWINGS AND SPECIFICATIONS SHALL BE BROUGHT TO THE ATTENTION OF THE ENGINEER PRIOR TO PROCEEDING WITH THE WORK.
- STRUCTURAL DRAWINGS SHALL BE USED IN CONJUNCTION WITH THE SPECIFICATIONS, AS WELL AS THE ARCHITECTURAL, MECHANICAL, PLUMBING, ELECTRICAL AND CIVIL DRAWINGS. ALL DIMENSIONS AND ELEVATIONS SHOWN ON STRUCTURAL DRAWINGS, WITH THE EXCEPTION OF STRUCTURAL MEMBER SIZES, ARE GENERATED BY OTHER DISCIPLINES. ANY DIMENSIONS OR ELEVATIONS OMITTED OR NOT SHOWN ON THE STRUCTURAL DRAWINGS SHOULD BE OBTAINED FROM THE DRAWINGS OF THE OTHER DISCIPLINES. ANY INCONSISTENCIES WITH THE DRAWINGS AND SPECIFICATIONS SHALL BE BROUGHT TO THE ATTENTION OF THE ENGINEER PRIOR TO PROCEEDING WITH THE AFFECTED PORTIONS OF THE WORK.
- IF DIFFERENCES OCCUR WITHIN OR BETWEEN THE DRAWINGS AND SPECIFICATIONS REGARDING MATERIALS, STRENGTHS OR QUANTITIES, THE BETTER, HIGHER STRENGTH, AND GREATER QUANTITY INDICATED, SPECIFIED OR NOTED SHALL BE PROVIDED.
- THE CONTRACTOR SHALL VISIT THE SITE AT A DESIGNATED TIME APPROVED BY THE OWNER, TO VERIFY EXISTING CONDITIONS, DIMENSIONS, LOCATION OF EXISTING UTILITIES, ETC. THE CONTRACTOR SHALL NOTIFY ENGINEER OF ANY DISCREPANCIES WITHOUT EXCEPTION.
- THE STRUCTURE HAS BEEN DESIGNED AS A SELF-SUPPORTING SYSTEM ONCE ALL WORK CONTAINED ON THESE DRAWINGS HAS BEEN COMPLETED. THE CONTRACTOR IS SOLELY RESPONSIBLE FOR ERECTION PROCEDURES AND SEQUENCE OF INSTALLATION TO ENSURE SAFETY OF THE BUILDING AND ITS OCCUPANTS DURING CONSTRUCTION. THE CONTRACTOR SHALL BE RESPONSIBLE FOR MEANS AND METHODS AND TEMPORARY SHORING, PRECAUTIONS DURING BUILDING OPERATIONS, PROTECTION OF PUBLIC AND WORKERS, REMOVAL OF WASTE MATERIAL, PROTECTION OF ADJACENT PROPERTY, PROTECTION OF HAZARDOUS OPENINGS, SAFETY PRECAUTIONS, AND SANITARY PROVISIONS OF EMPLOYEES AND SUBCONTRACTORS AS REQUIRED FOR THE DURATION OF THE CONTRACT.
- WORK SHALL BE DONE IN AN ORDERLY AND PROFESSIONAL MANNER. THE GENERAL CONTRACTOR IS RESPONSIBLE FOR COORDINATING ALL WORK TO BE DONE BY SUBCONTRACTORS, LOCAL AUTHORITIES, STATE AGENCIES AND/OR UTILITY COMPANIES WHICH MAY HAVE JURISDICTION OVER THIS PROJECT.
- UTILITY EXTENSIONS AND CONNECTIONS SHALL BE IN ACCORDANCE WITH STATE AND LOCAL CODES OR AS INDICATED BY THE SPECIFICATIONS.
- CONTRACTOR SHALL PROVIDE AND INSTALL MATERIALS NECESSARY TO CONNECT ELEVATOR SUPPORT BEAMS AND/OR GUIDE RAILS TO THE STRUCTURE. LOCATION AND SIZE OF MEMBERS AND INSERTS SHALL BE CONFIRMED WITH THE ELEVATOR MANUFACTURER.
- CONTRACTOR SHALL REVIEW AND SUBMIT COMPLETE SHOP DRAWINGS FOR ALL SPECIFIED PARTS OF THE WORK, INCLUDING SHORING AND CONSTRUCTION METHODS/SEQUENCING WHERE APPLICABLE. NO PORTION OF THE WORK COVERED BY THESE SHOP DRAWINGS SHALL COMMENCE UNTIL RETURNED APPROVED SHOPS ARE RECEIVED BY THE CONTRACTOR. SEE SPECIFICATIONS FOR SPECIFIC SHOP SUBMITTAL REQUIREMENTS.
- THE CONTRACTOR IS RESPONSIBLE FOR REPLACING ANY EXISTING ITEMS DAMAGED BY NEW CONSTRUCTION, AND FOR ANY INCIDENTAL REPAIRS OF EXISTING FINISHED SURFACES DISTURBED BY NEW CONSTRUCTION; SUCH REPAIRS SHALL MATCH EXISTING TO THE OWNER'S SATISFACTION.
- THE CONTRACTOR IS RESPONSIBLE FOR COORDINATING, HANDLING, AND STORAGE OF ITEMS/MATERIALS TO REMAIN THE PROPERTY OF THE OWNER WITH THE OWNER'S REPRESENTATIVE.



F1 GENERAL NOTES



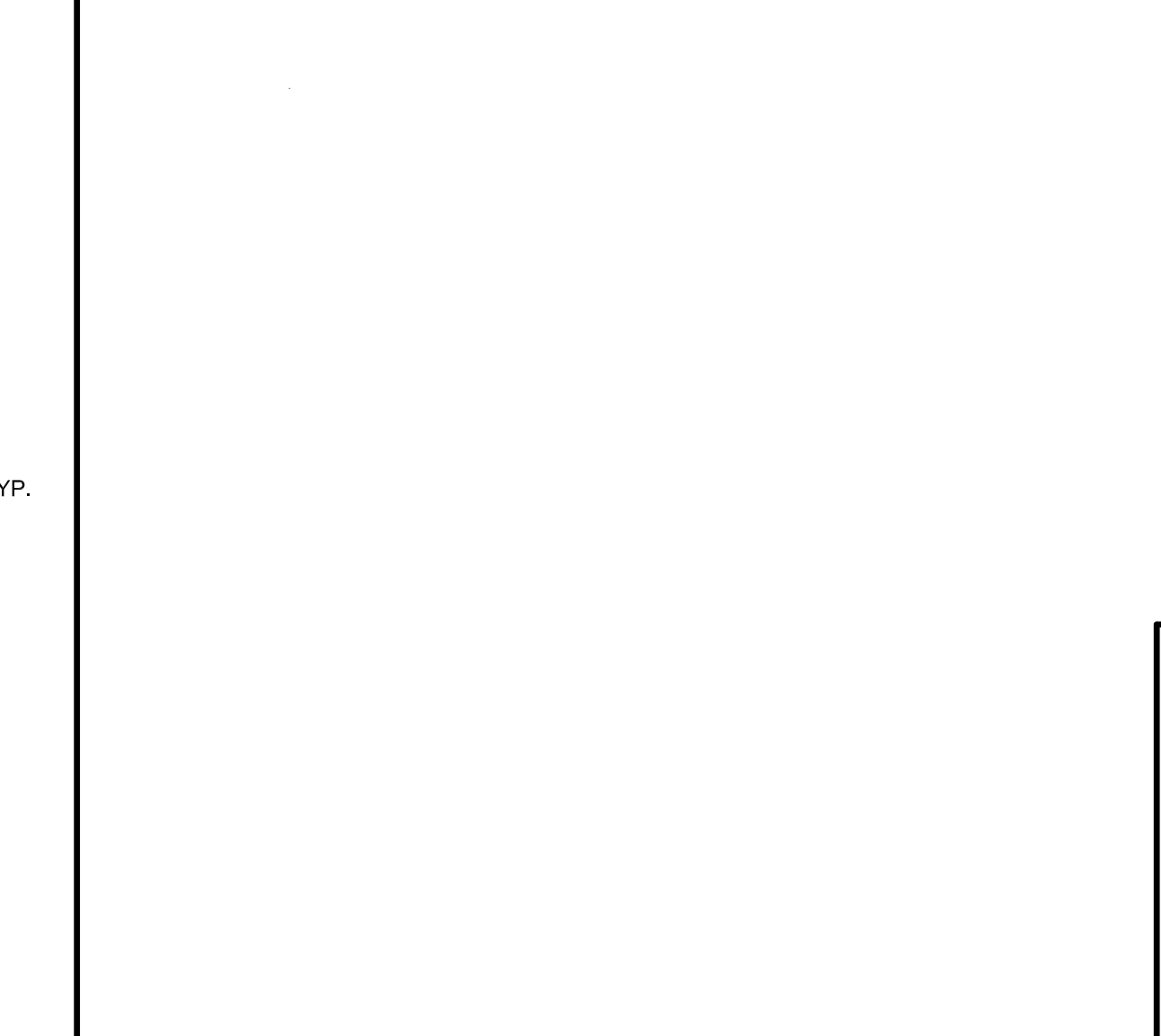
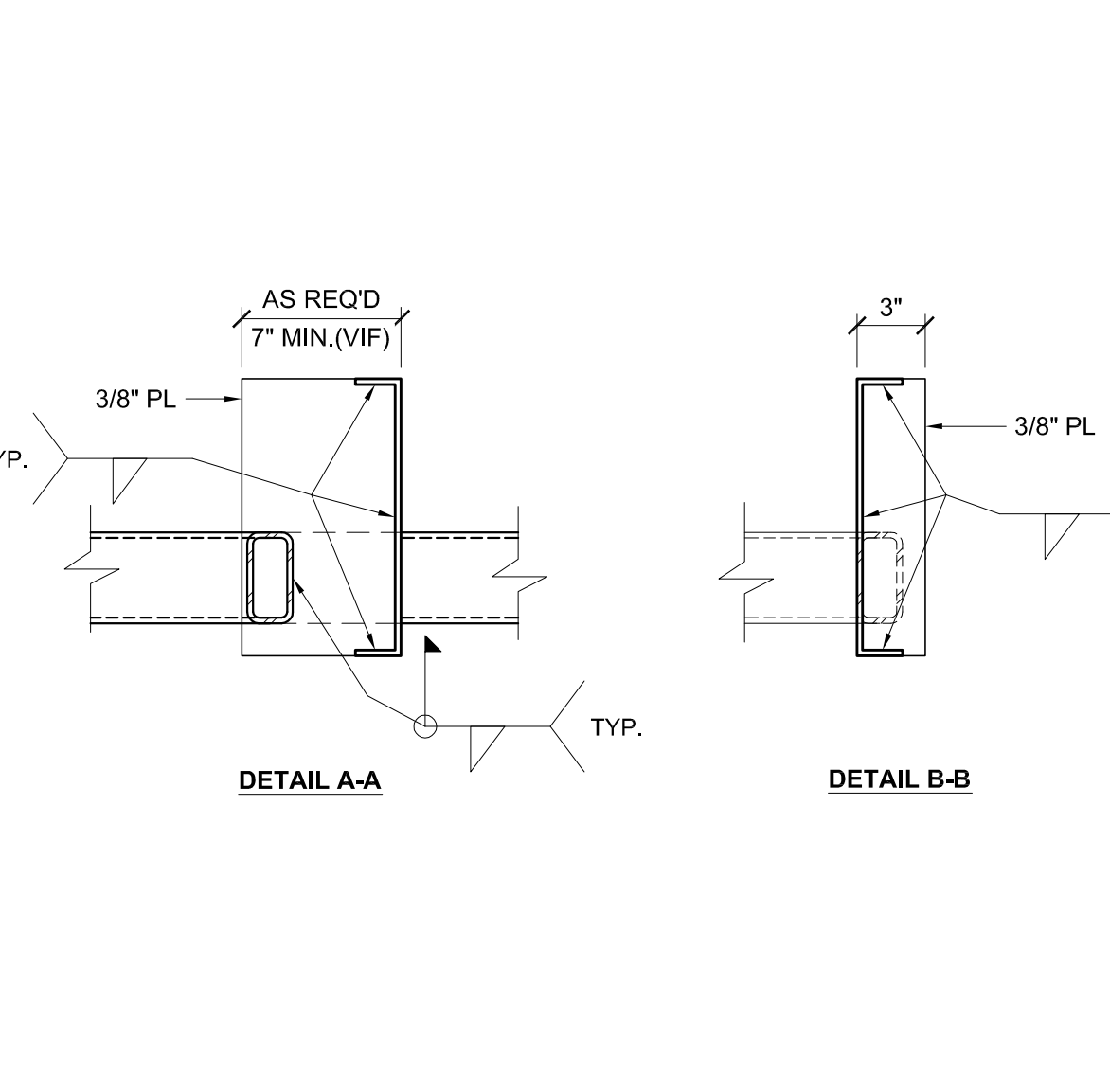
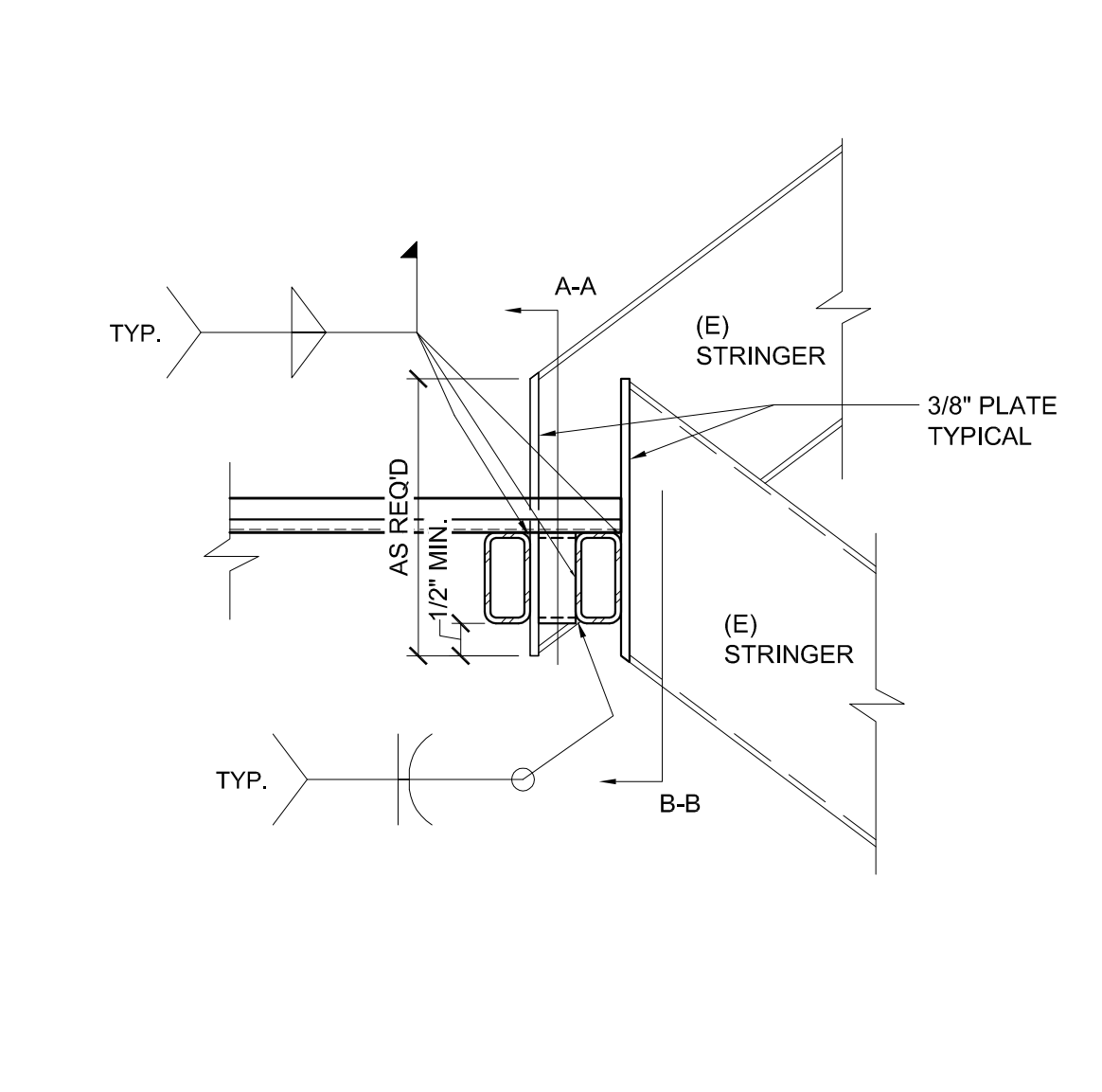
E1 DETAIL (TOP VIEW)

E3 DETAIL

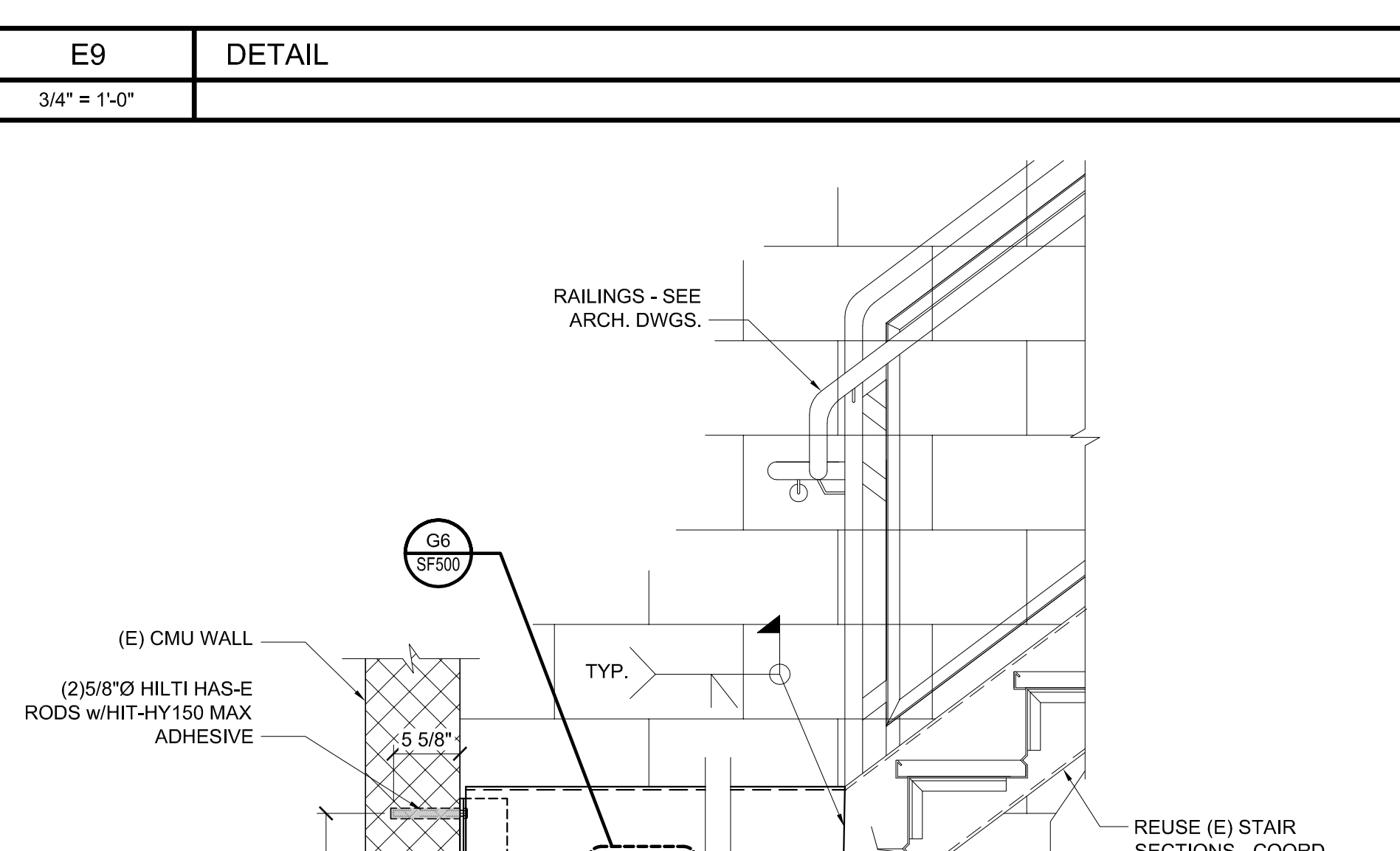
E5 DETAIL AT FLOOR INFILL

E7 DETAIL

E9 DETAIL



MASONRY LINTEL SCHEDULE			
OPENING	8\"/>		
0' - 3'-11"	(2) L4"x4"x3/8" - VERTICAL LEG OUTSIDE FACE OF MASONRY	(2) L6"x4"x3/8"(LLH) - VERT. LEG OUTSIDE FACE OF MASONRY	8" MIN.
4' - 5'-11"	(2) L6"x4"x1/2" (LLV) VERT. LEG OUTSIDE FACE OF MASONRY	(2) L6"x6"x1/2" - VERT. LEG OUTSIDE FACE OF MASONRY	8" MIN.
6' - 7'-11"	(2) L6"x4"x1/2" (LLV) VERT. LEG OUTSIDE FACE OF MASONRY FILL FIRST COURSE OF MASONRY ABOVE LENGTH OF OPENING	(2) L6"x6"x1/2" - VERT. LEG OUTSIDE FACE OF MASONRY FILL FIRST COURSE OF MASONRY ABOVE LENGTH OF OPENING	8" MIN.



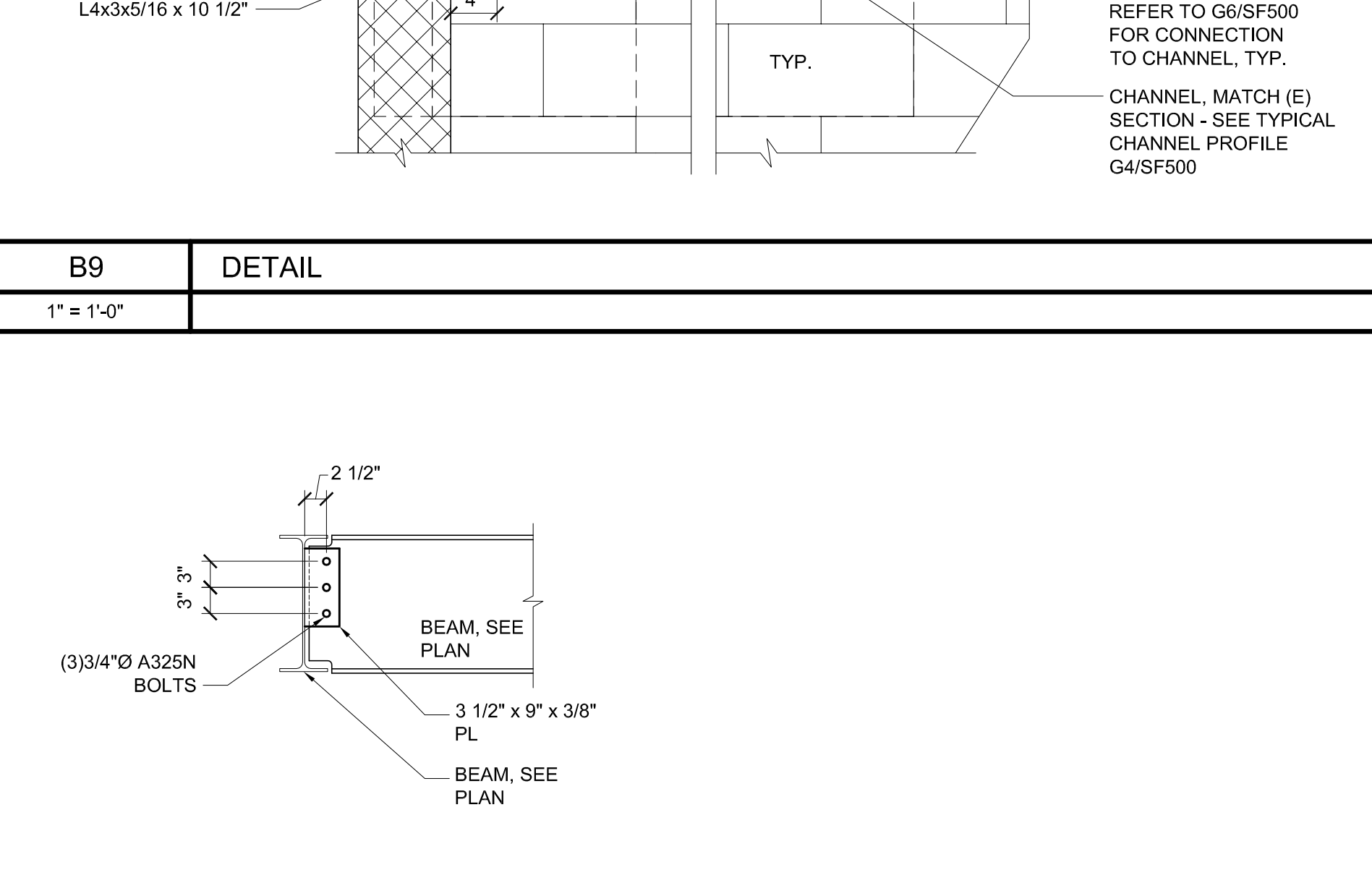
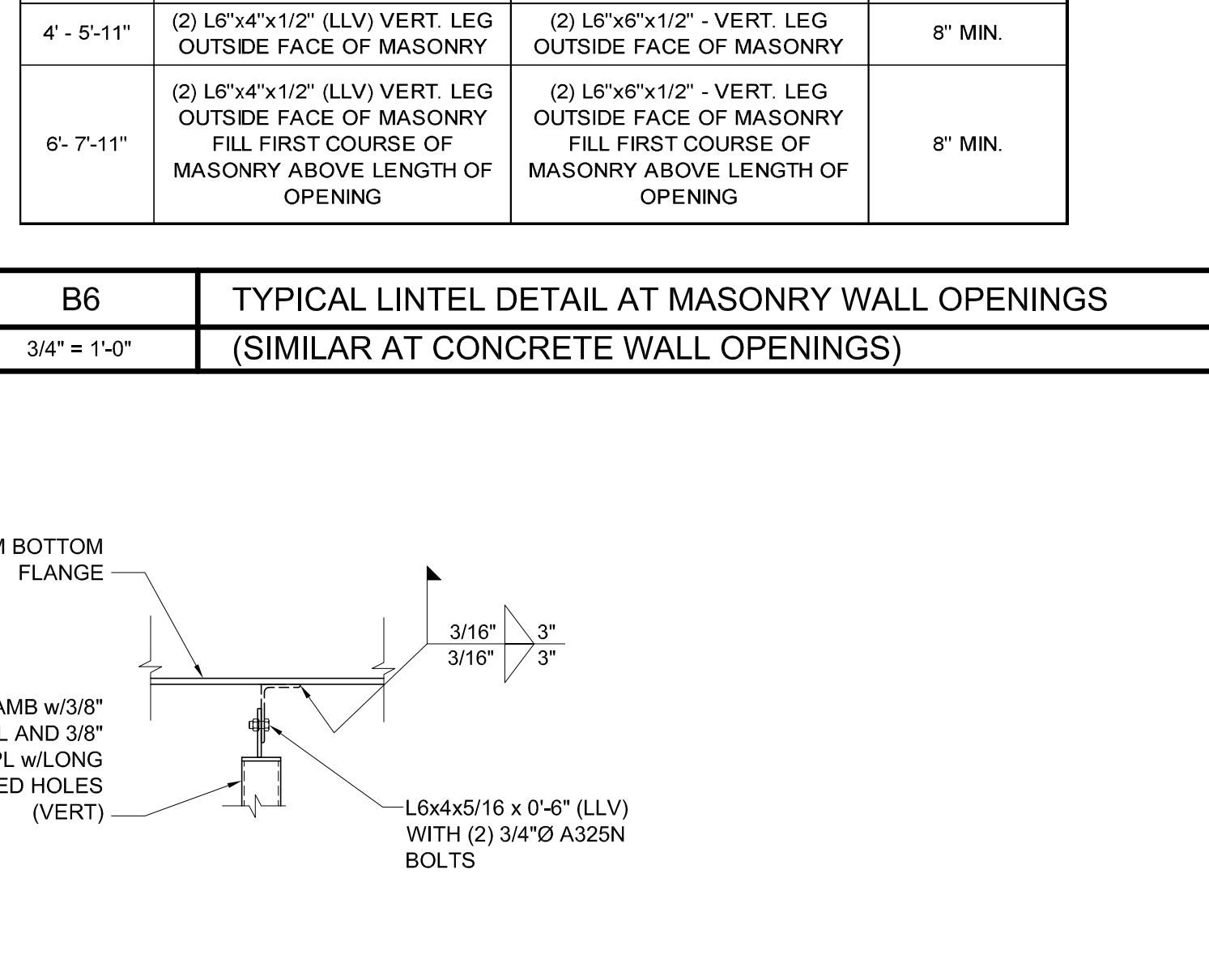
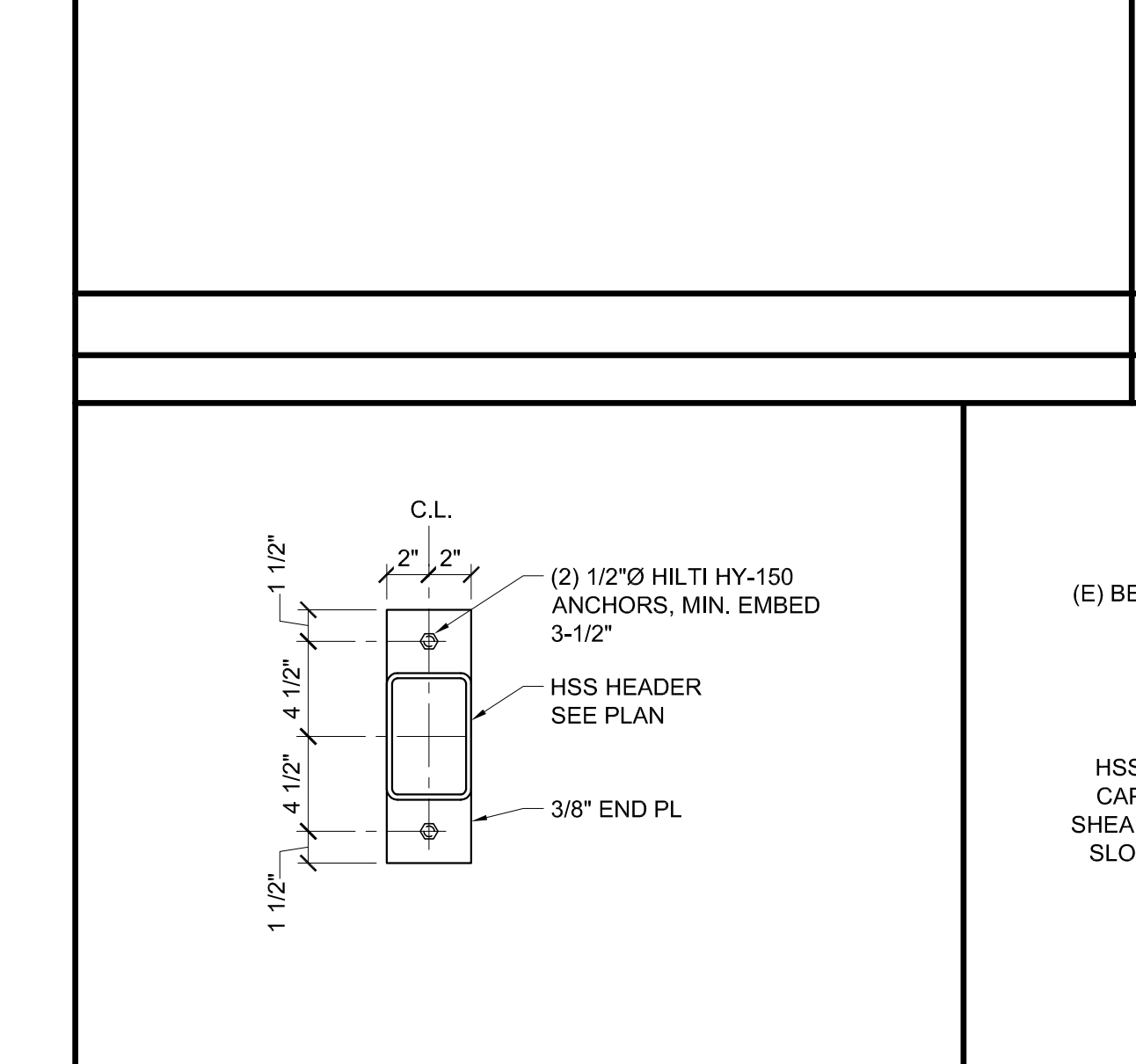
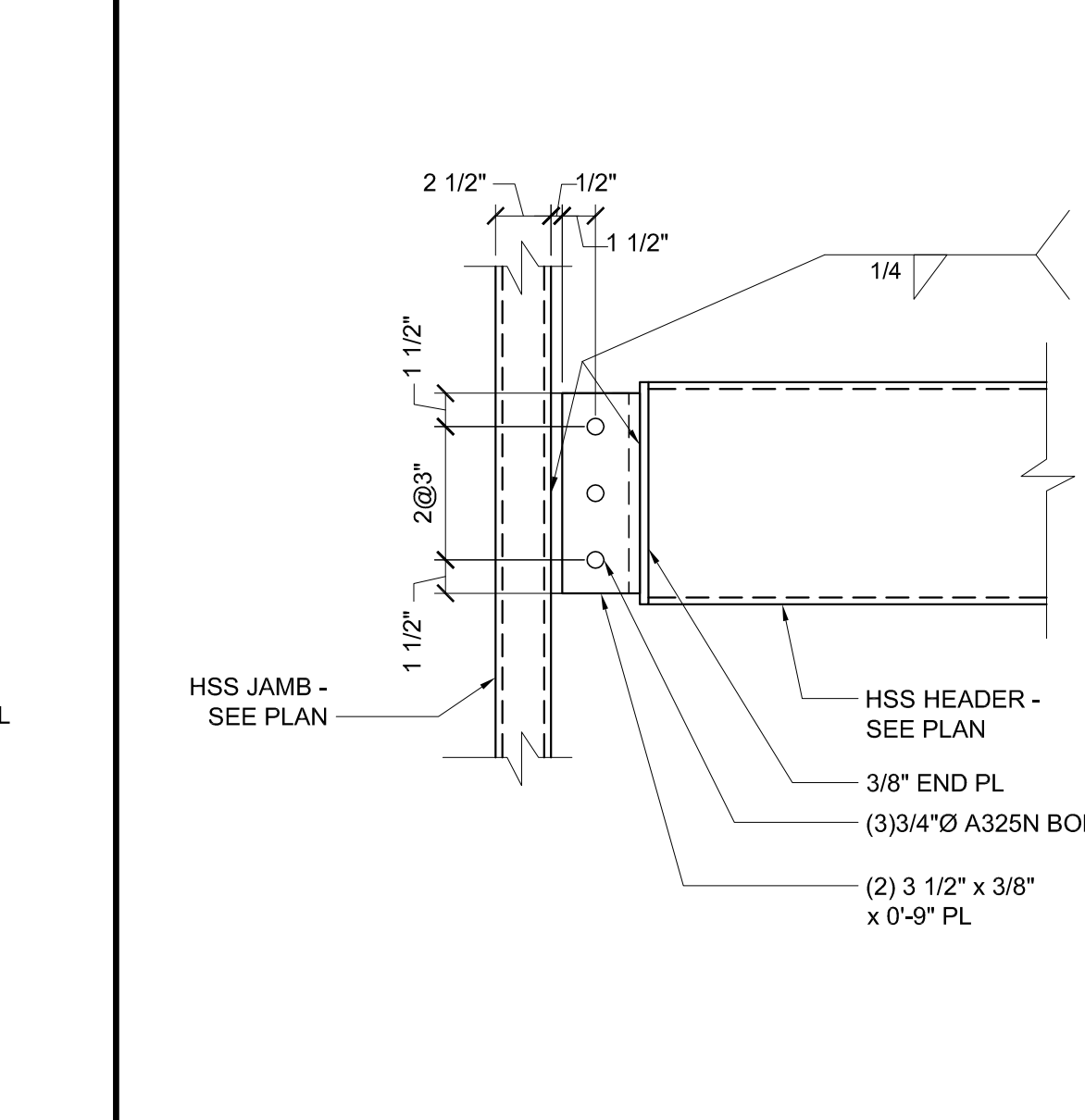
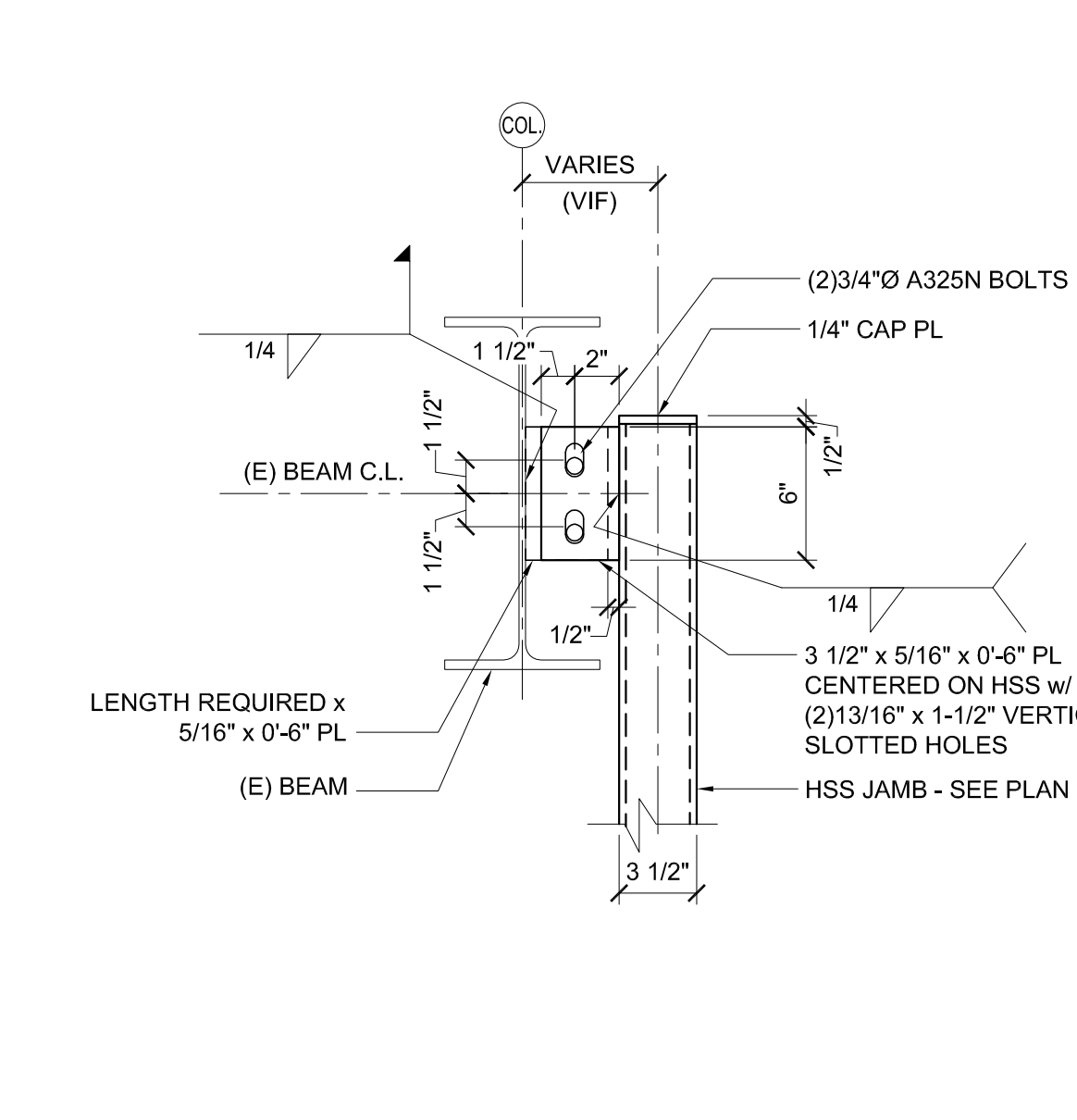
C1 DETAIL

A3 DETAIL

A4 DETAIL

B6 TYPICAL LINTEL DETAIL AT MASONRY WALL OPENINGS (SIMILAR AT CONCRETE WALL OPENINGS)

B9 DETAIL



A1 DETAIL

A3 DETAIL

A4 DETAIL

A6 DETAIL

A9 CONNECTION DETAIL

PDT ARCHITECTS
49 DARTMOUTH STREET
PORTLAND, MAINE 04101
207-775-1059
www.pdtarch.com

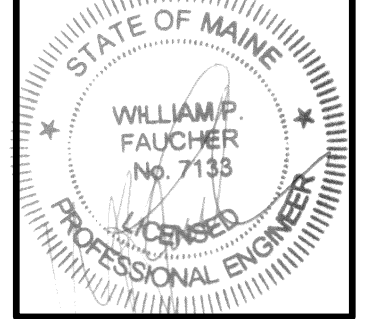
Allied Engineering
Structural Mechanical Electrical Commissioning

160 Veranda Street
Portland, Maine 04103
T: 207.221.2260
F: 207.221.2266
Web: www.allied-eng.com

allied Project No: 14005
CAD File: 14005S.dwg

COPYRIGHT 2014 PDT Architects
Reuse or reproduction of the contents of this document is not permitted without written permission of PDT Architects.

2014 UNUM - HO1 Interior Renovations
PORTLAND, MAINE



PDT JOB NO. 13-096

DRAWN PED

SCALE AS NOTED

ISSUE: 2 Oct 2014 PERMIT SET

TITLE STRUCTURAL - NOTES AND DETAILS

SHEET

SF500

N:\Projects\2014\14005 - Unum HO1 2014 Interior Renovations\02 Drawing Files\14005S.dwg Oct 02, 2014 - 6:26am