

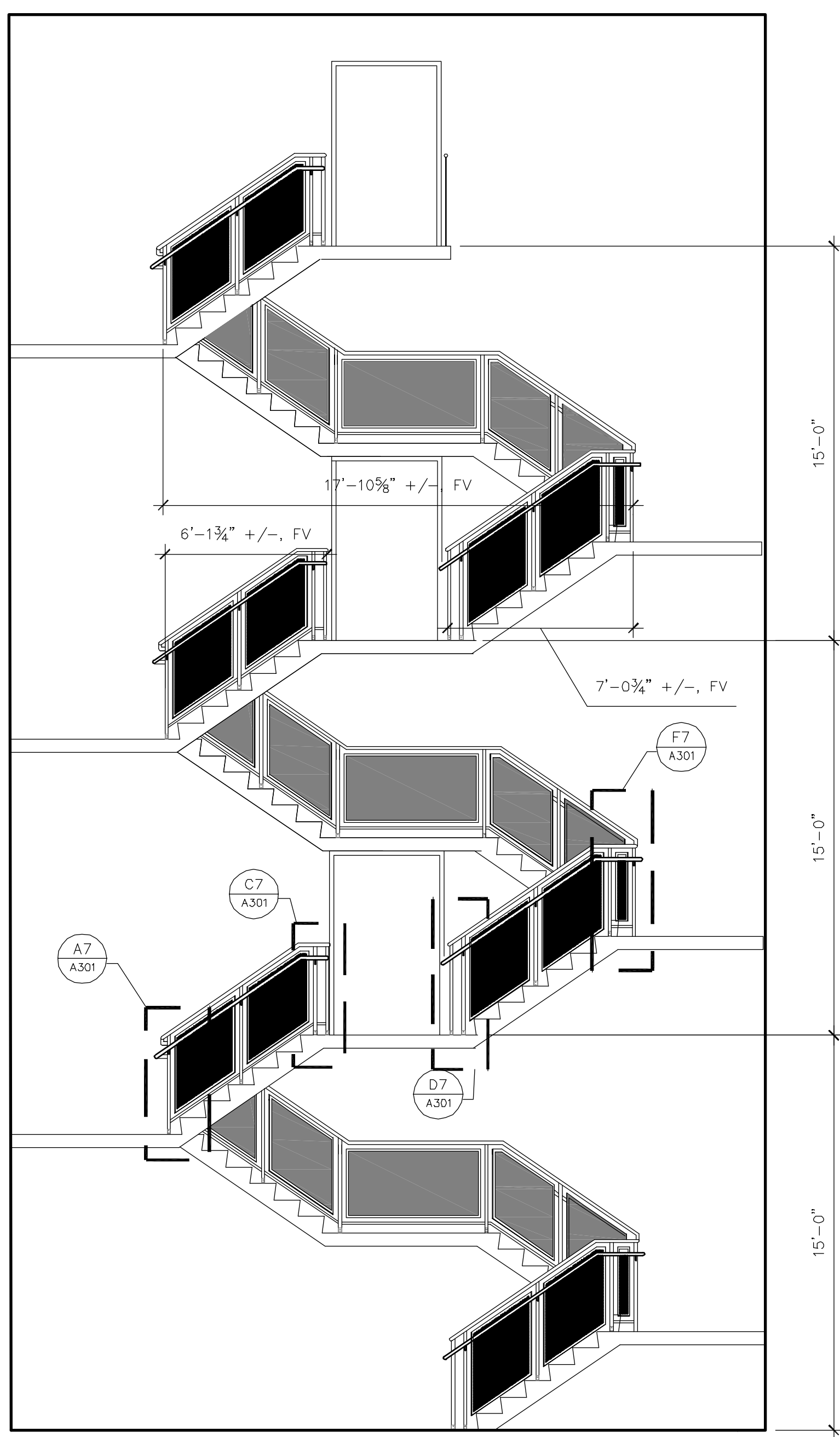
RESERVED FOR
CITY OF PORTLAND

VERTICAL CIRCULATION GENERAL NOTES
 1. ALL HANDRAIL AND GUARDRAIL COMPONENTS SHALL BE ABLE TO WITHSTAND A HORIZONTAL LOAD OF 250 POUNDS AT ANY POINT.
 2. GUARDRAILS SHALL NOT ALLOW THE PASSAGE OF A 4-INCH SPHERE BETWEEN MEMBERS.

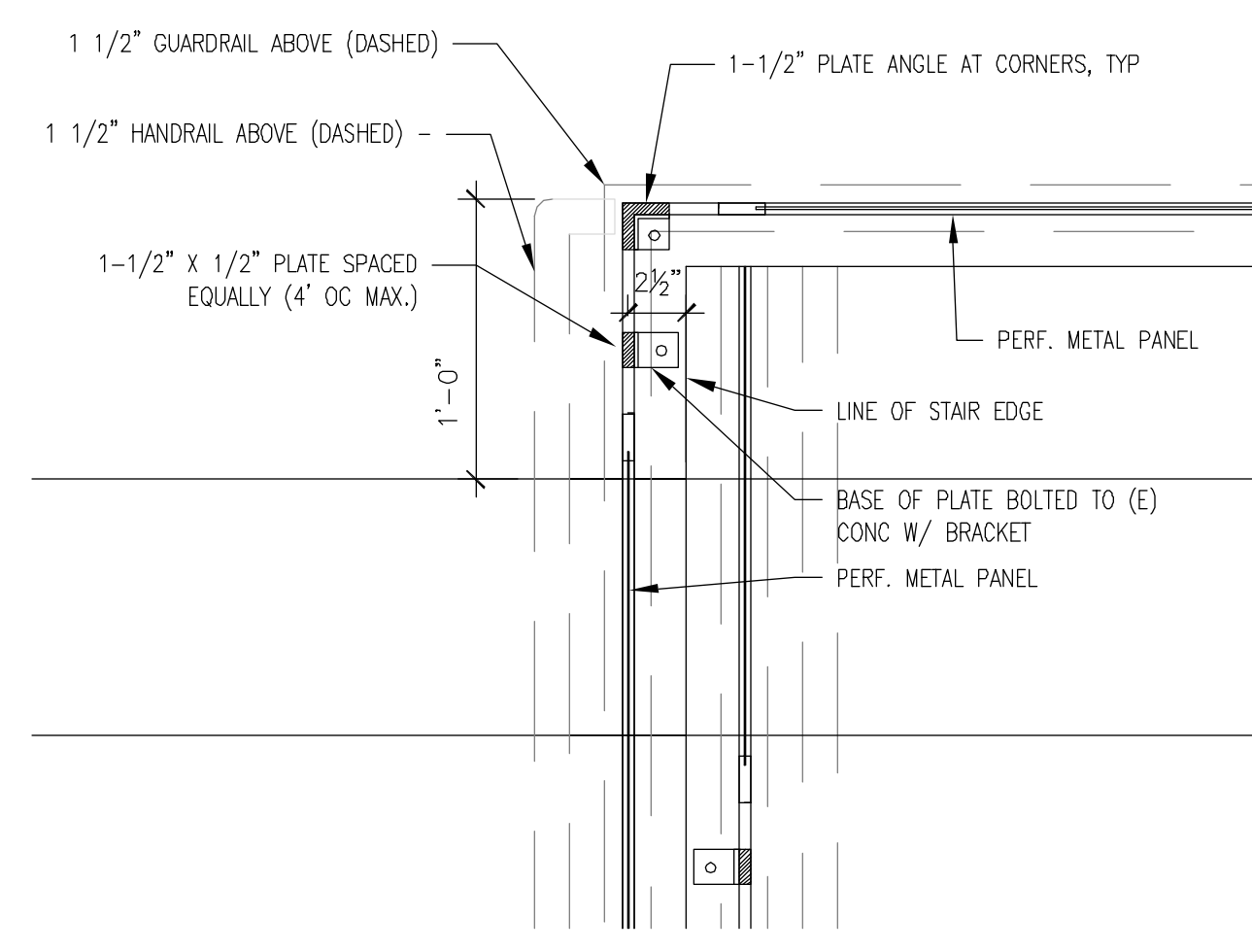
PDT
ARCHITECTS
 49 DARTMOUTH STREET
 PORTLAND, MAINE 04101
 207-775-1099
 www.pdtarch.com

Allied
Engineering
 Structural Mechanical
 Electrical Commissioning
 160 Veranda Street
 Portland, Maine 04103
 T: 207-221-2260
 F: 207-221-2266
 Web: www.allied-eng.com

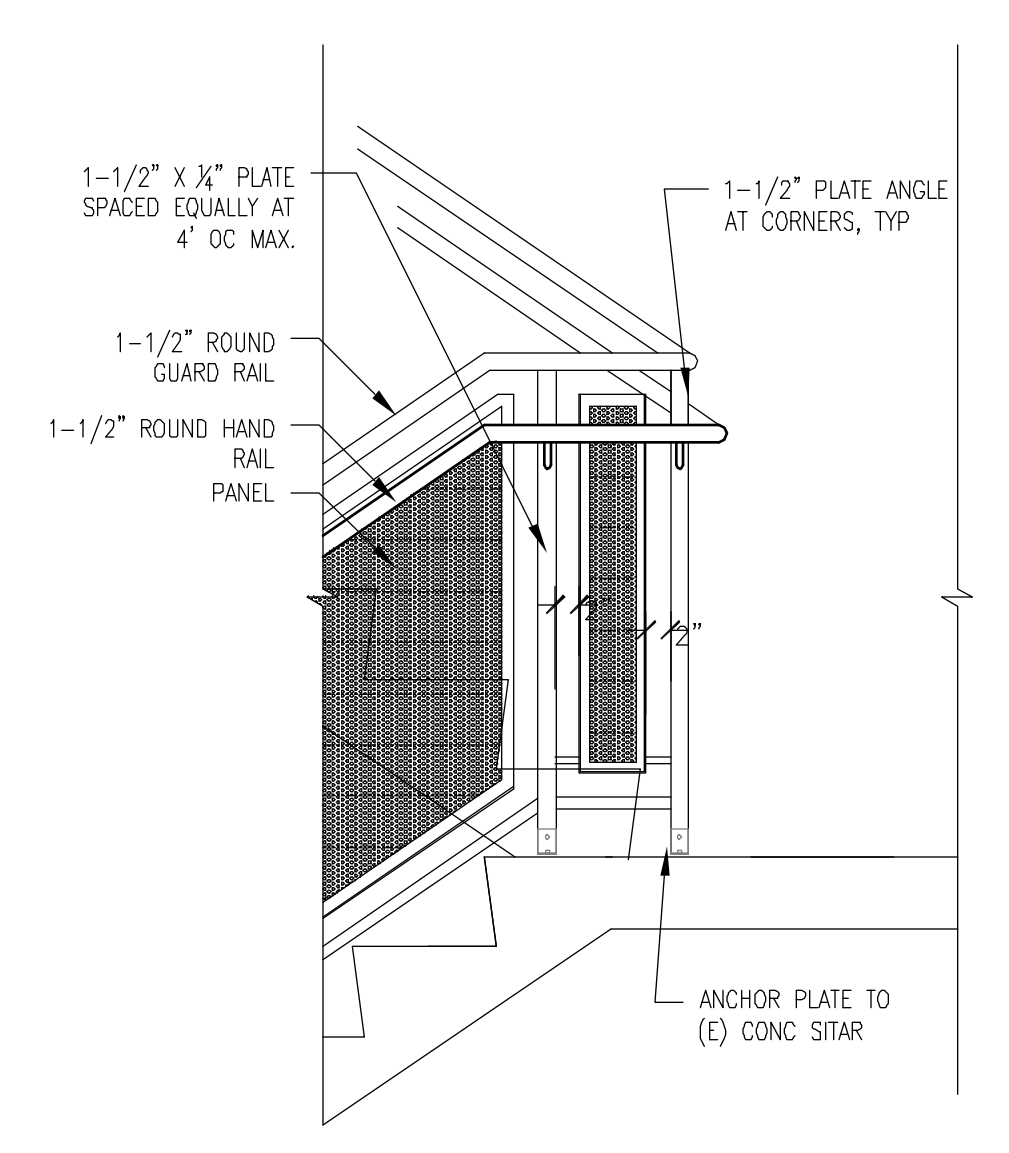
Project No:
 CAD File:
 COPYRIGHT 2014
 PDT Architects
 Reuse or reproduction of the
 contents of this document is not
 permitted without written
 permission of PDT Architects.



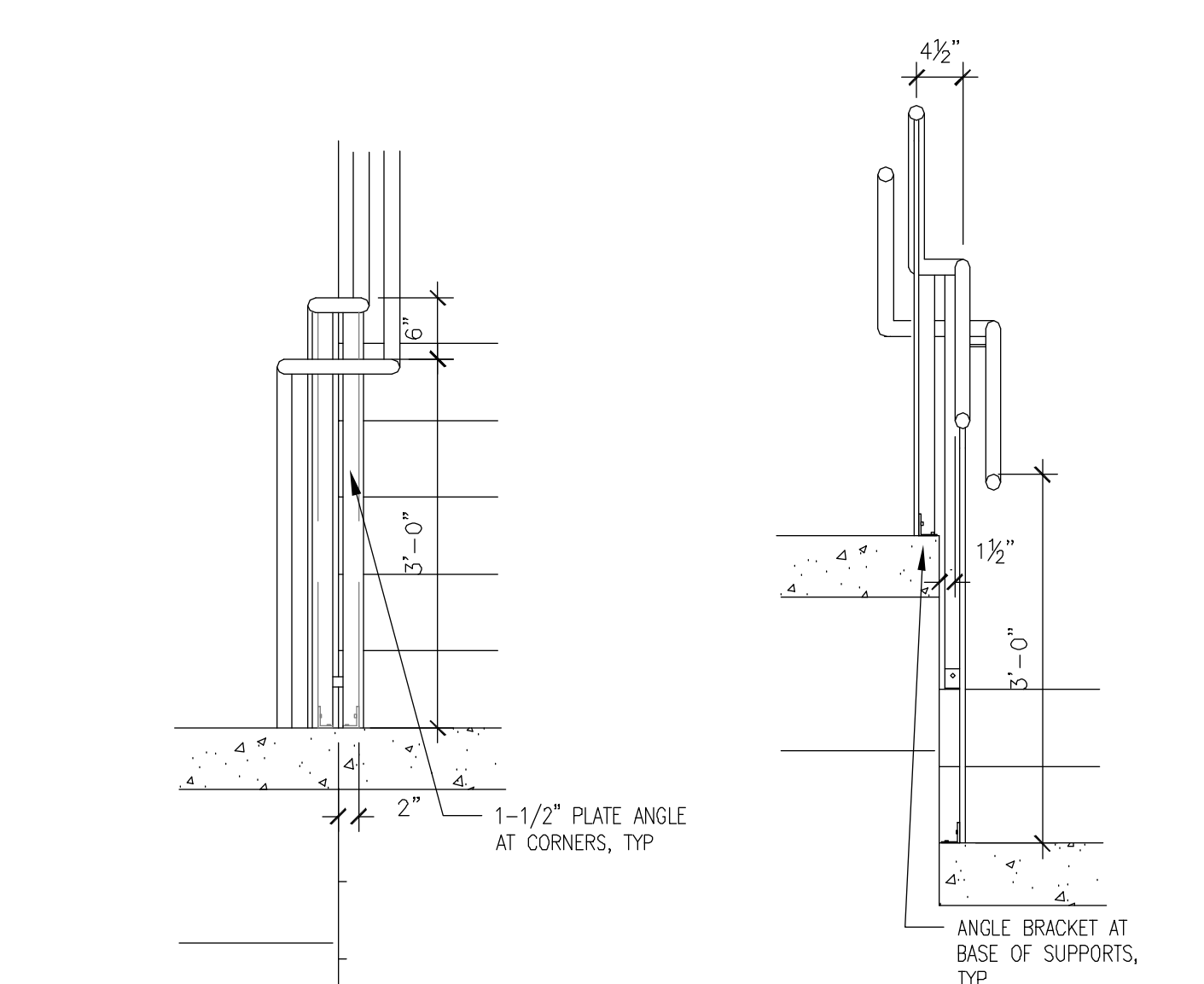
C1 STAIR SECTION - OVERALL
 1/2" = 1'-0"



A5 ENLARGED RAIL PLAN - TYP @ CORNER
 1-1/2" = 1'-0"

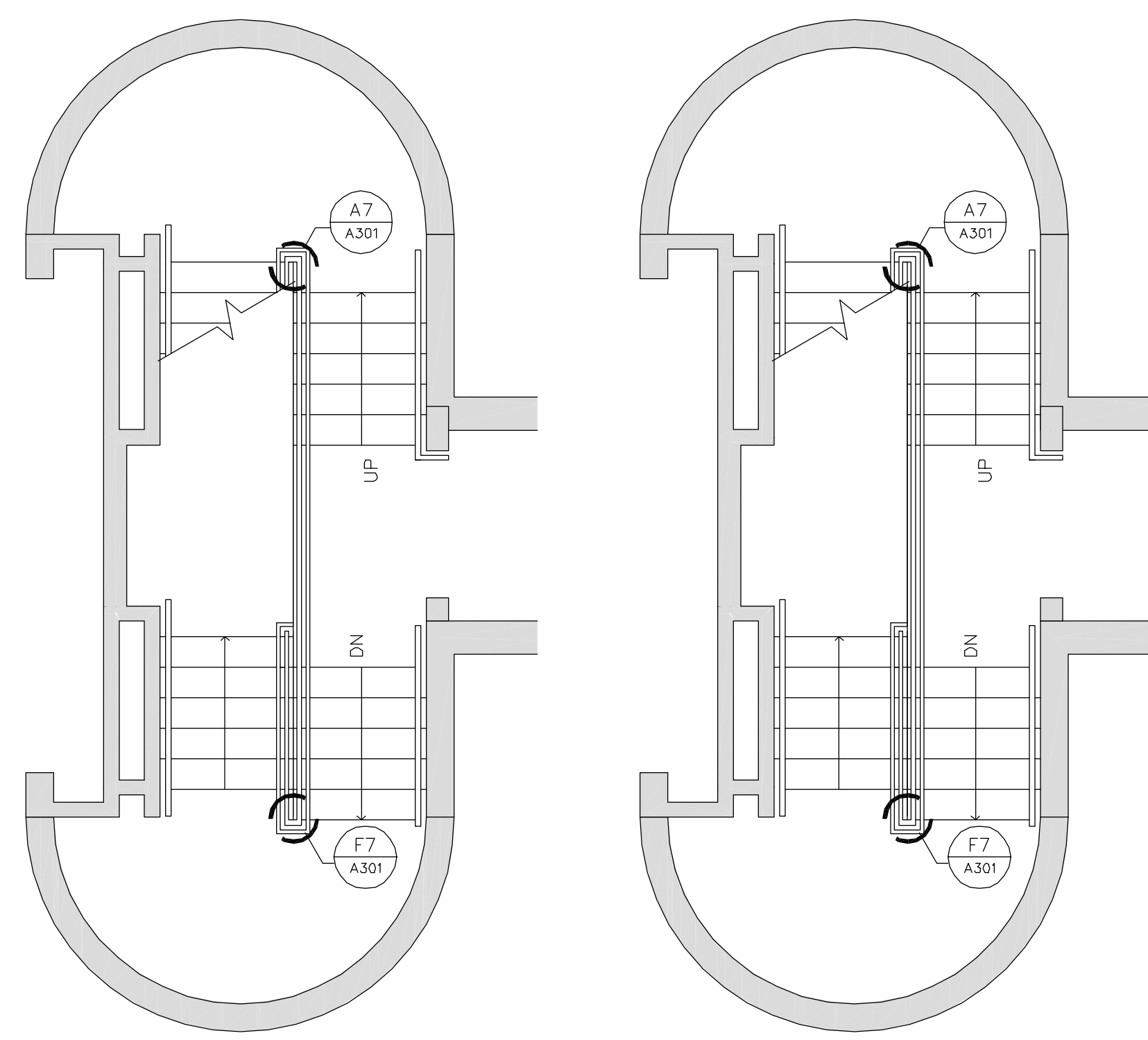


F7 HANDRAIL EXTENSION LANDING - UPPER
 3/4" = 1'-0"



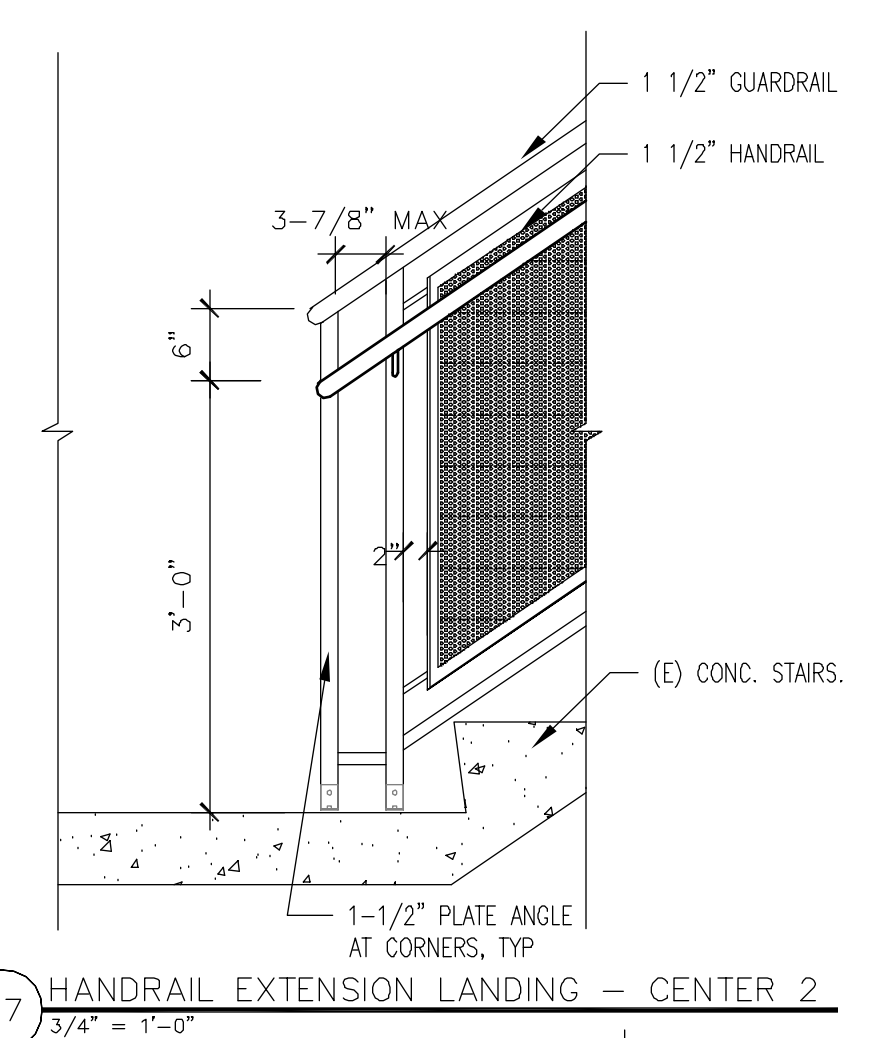
F8 HANDRAIL ELEVATION - LANDING
 3/4" = 1'-0"

F9 HANDRAIL SECTION @ STAIR
 3/4" = 1'-0"

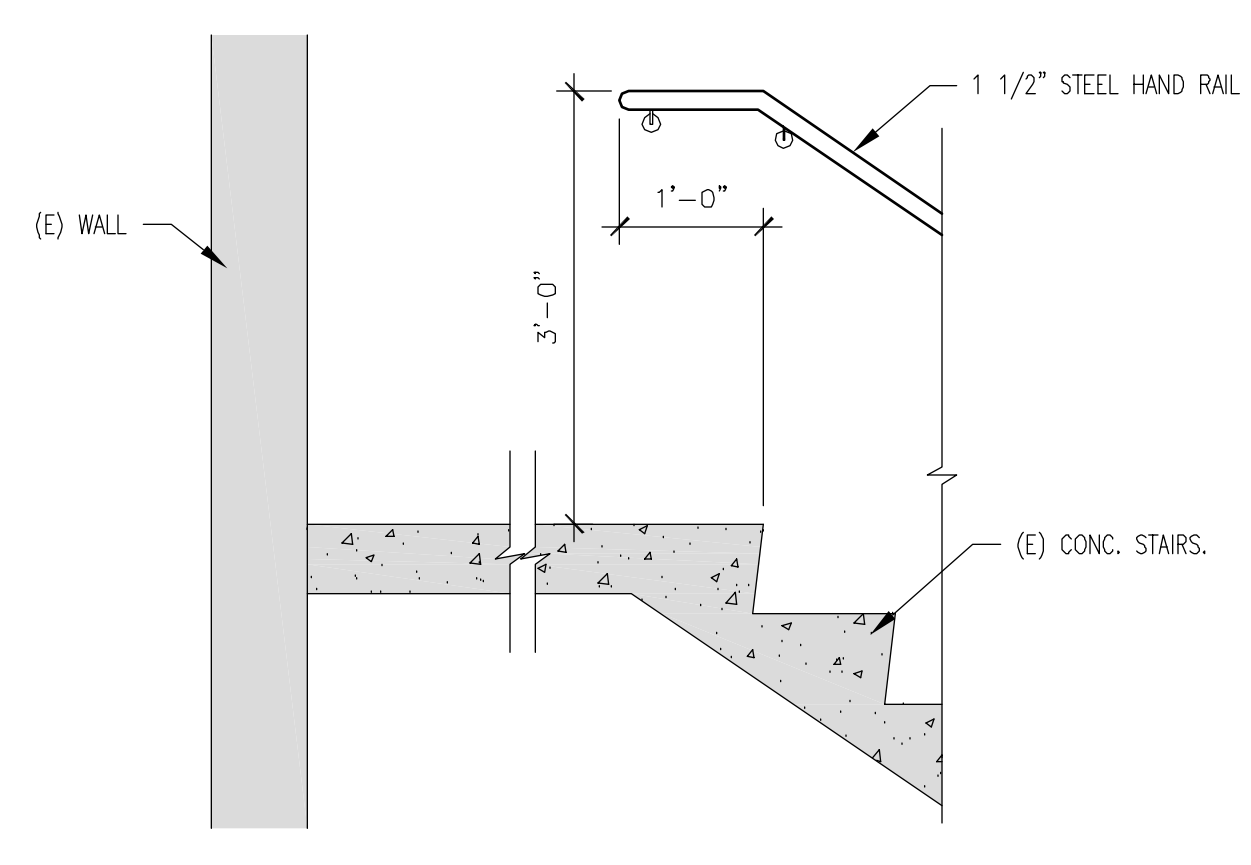


C4 STAIR PLAN - INTERMEDIATE LEVEL (BET. 1&2)
 1/4" = 1'-0"

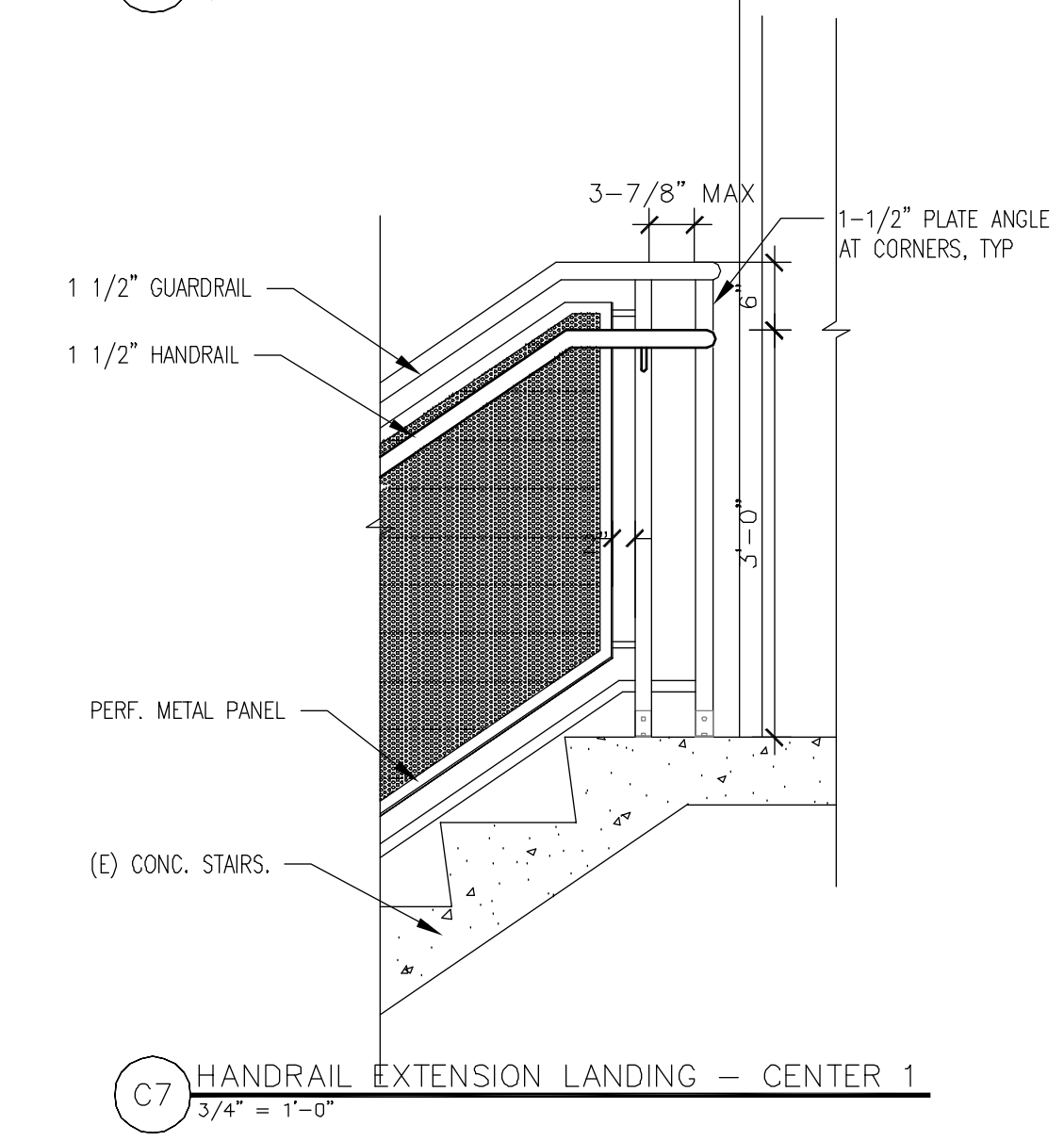
C5 STAIR PLAN - INTERMEDIATE LEVEL (BET. 2&3)
 1/4" = 1'-0"



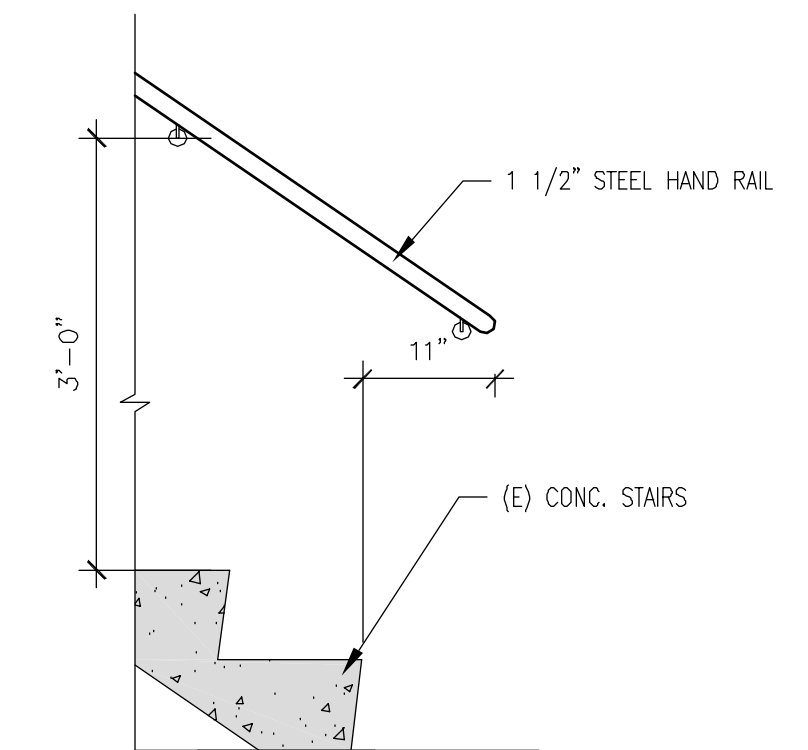
D7 HANDRAIL EXTENSION LANDING - CENTER 2
 3/4" = 1'-0"



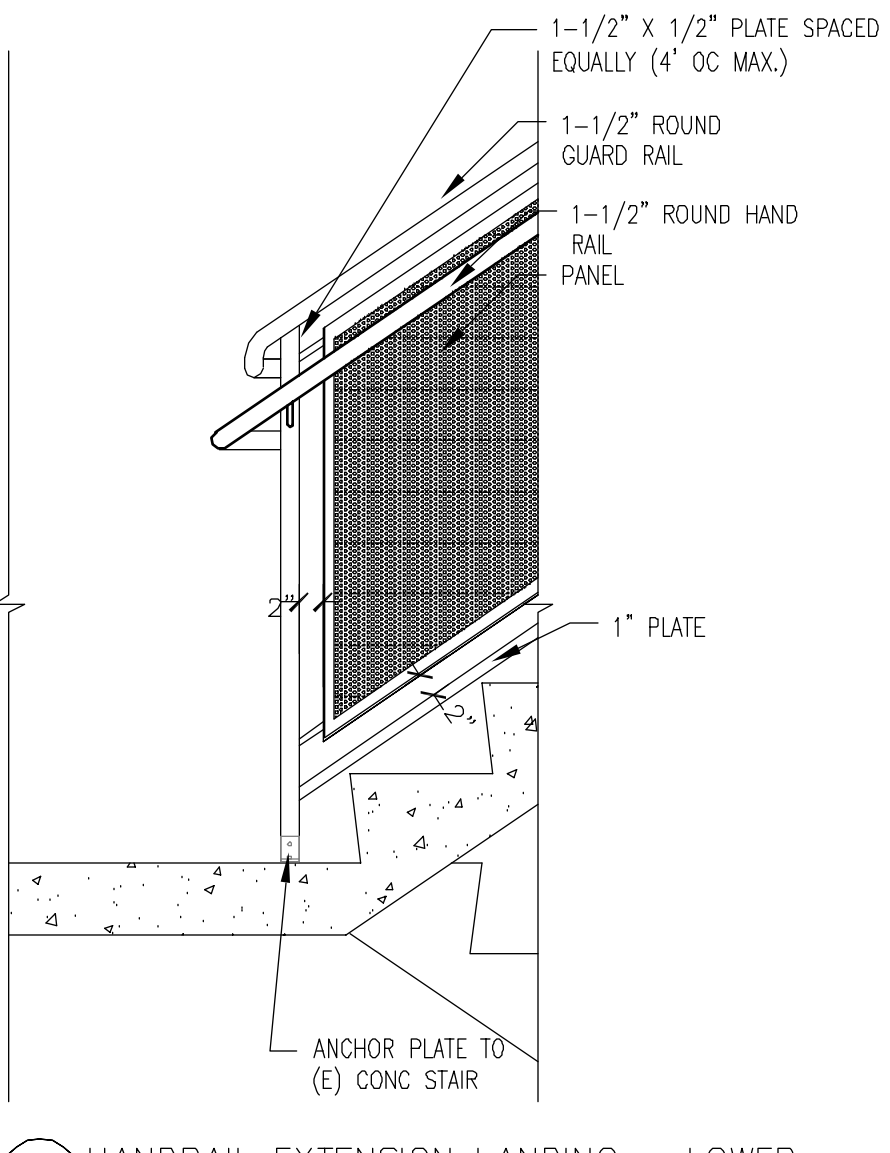
D9 HANDRAIL EXTENSION LANDING - WALL
 3/4" = 1'-0"



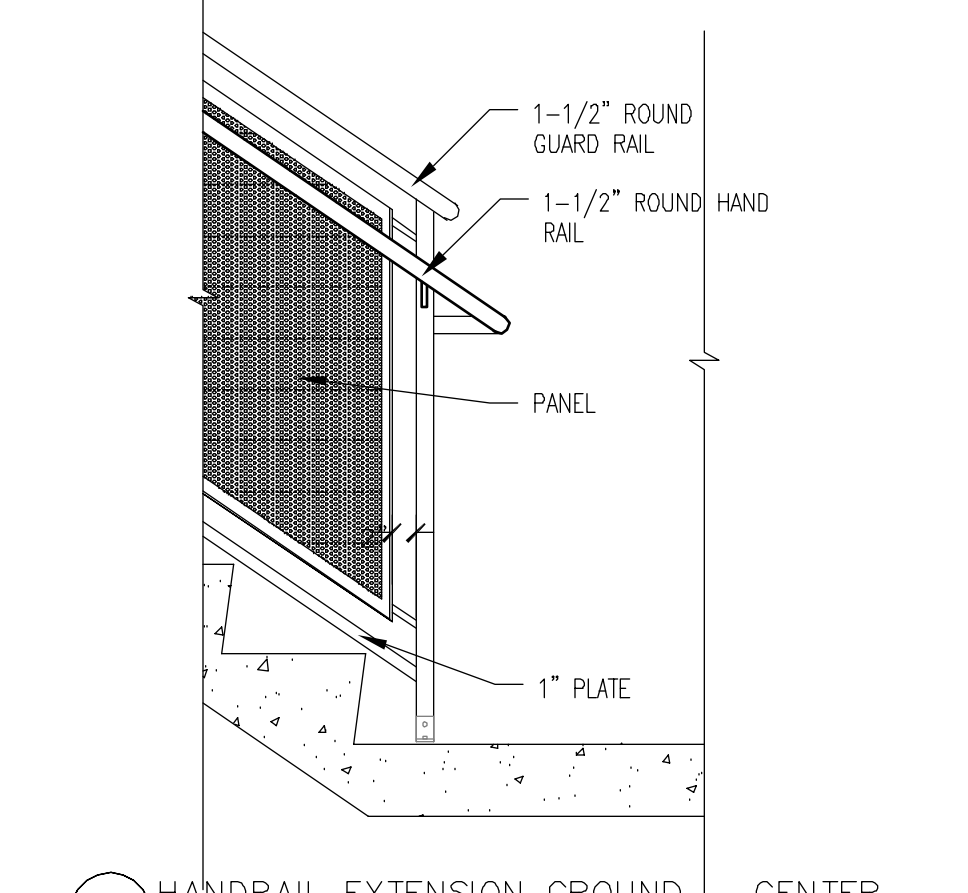
C7 HANDRAIL EXTENSION LANDING - CENTER 1
 3/4" = 1'-0"



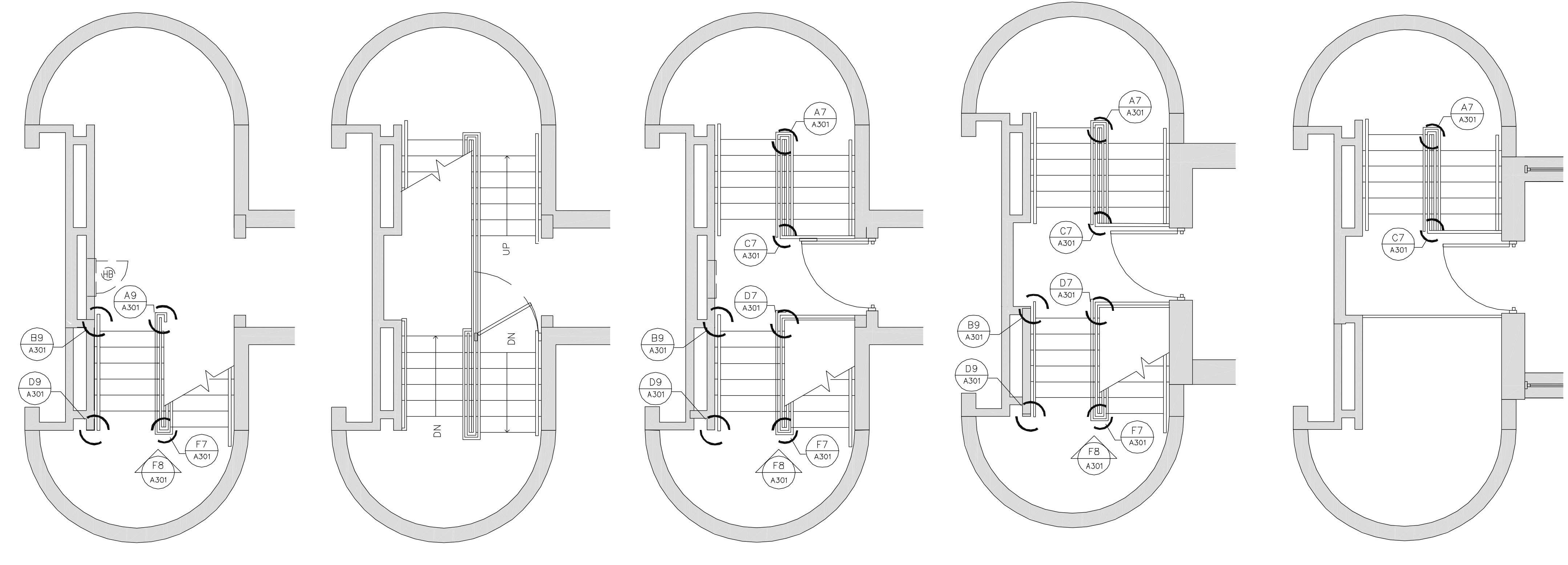
B9 HANDRAIL EXTENSION GROUND - WALL
 3/4" = 1'-0"



A7 HANDRAIL EXTENSION LANDING - LOWER
 3/4" = 1'-0"



A9 HANDRAIL EXTENSION GROUND - CENTER
 3/4" = 1'-0"



A1 ENLARGED STAIR PLAN - BASEMENT
 1/2" = 1'-0"

A2 ENLARGED STAIR PLAN - MID-LEVEL
 1/4" = 1'-0"

A3 ENLARGED STAIR PLAN - 1ST FLOOR
 1/4" = 1'-0"

A4 ENLARGED STAIR PLAN - 2ND FLOOR
 1/4" = 1'-0"

A5 ENLARGED STAIR PLAN - 3RD FLOOR
 1/4" = 1'-0"

2014 UNUM - HOI Interior Renovations
 PORTLAND, MAINE

REGISTERED ARCHITECT
 BRIAN
 BRYAN
 STATE OF MAINE

PDT JOB NO.
 13-096

DRAWN
 JRB

SCALE
 1/8" = 1'-0"

ISSUE: 2 Oct 2014
 PERMIT SET

TITLE
 STAIR SECTIONS
 AND DETAILS

SHEET

A301