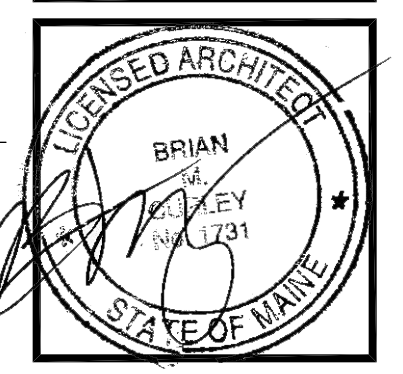


**2014 UNUM - HOI Interior Renovations**  
 PORTLAND, MAINE



PDT JOB NO.  
13-096

DRAWN  
JRB

SCALE  
1/8" = 1'-0"

ISSUE: 2 Oct 2014  
PERMIT SET

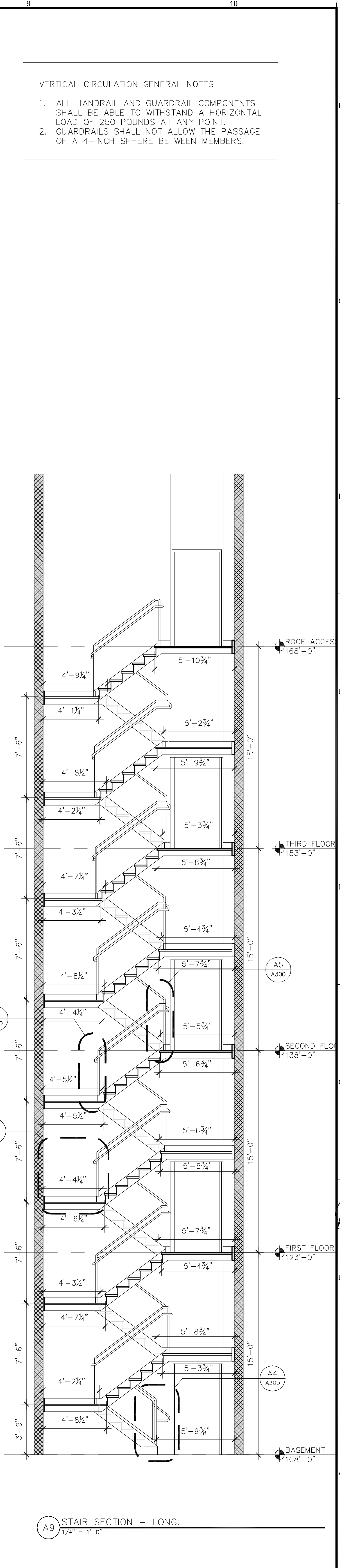
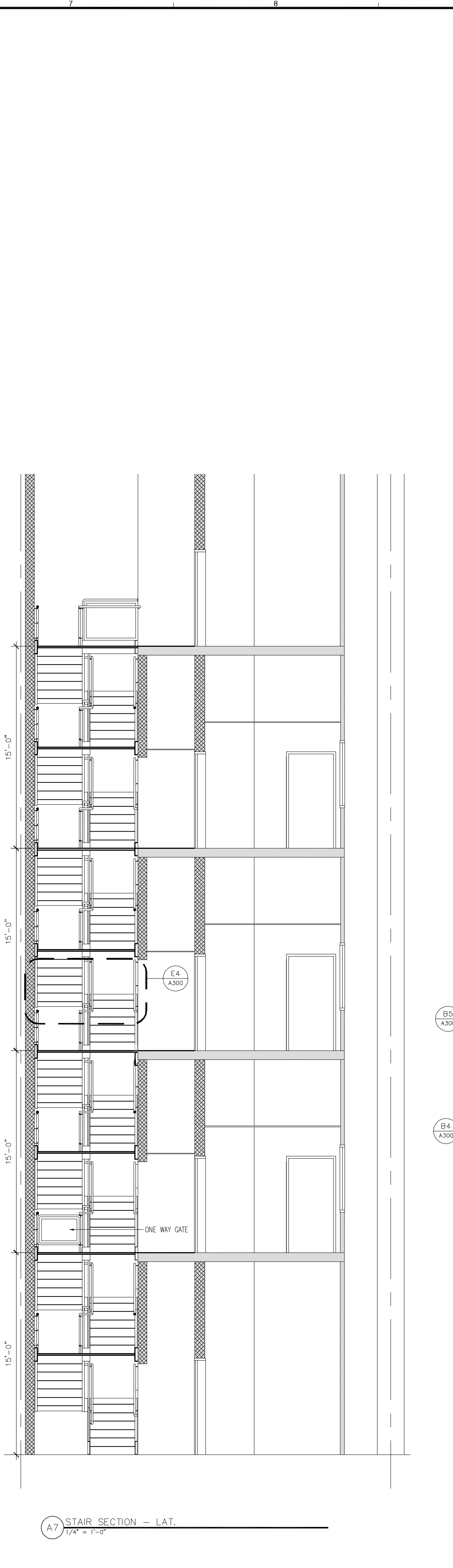
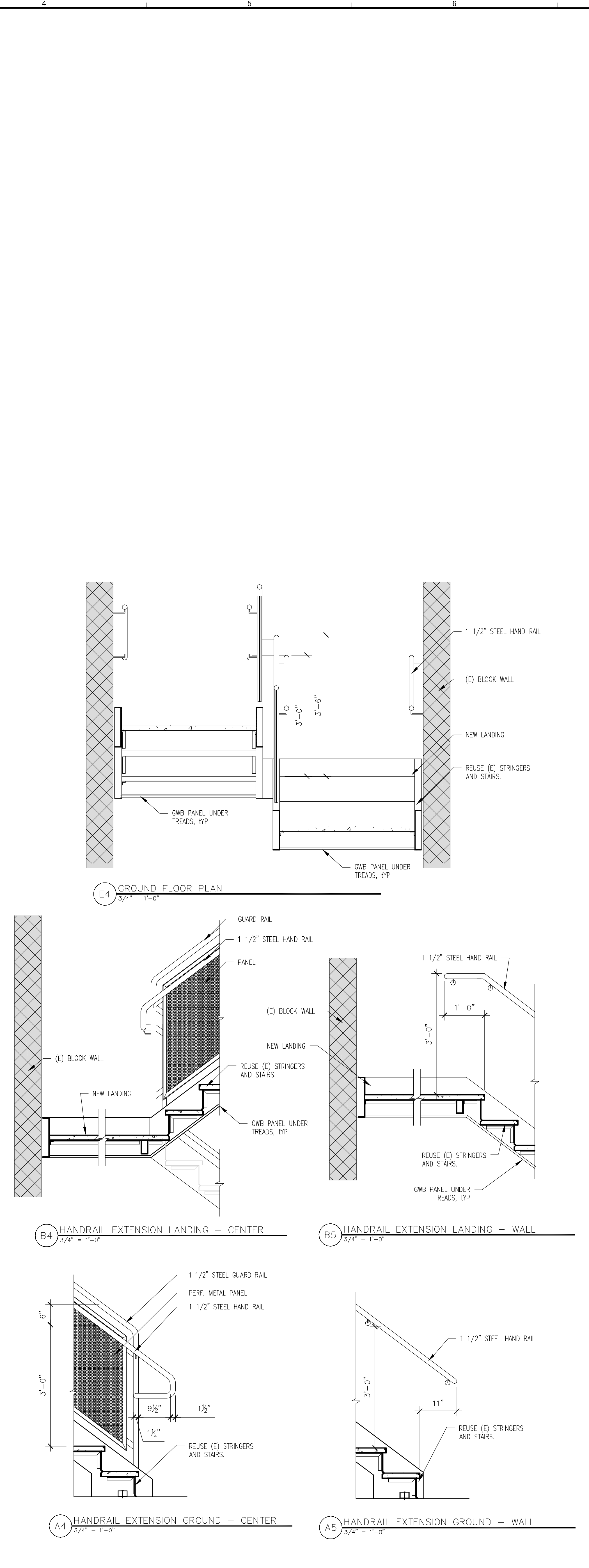
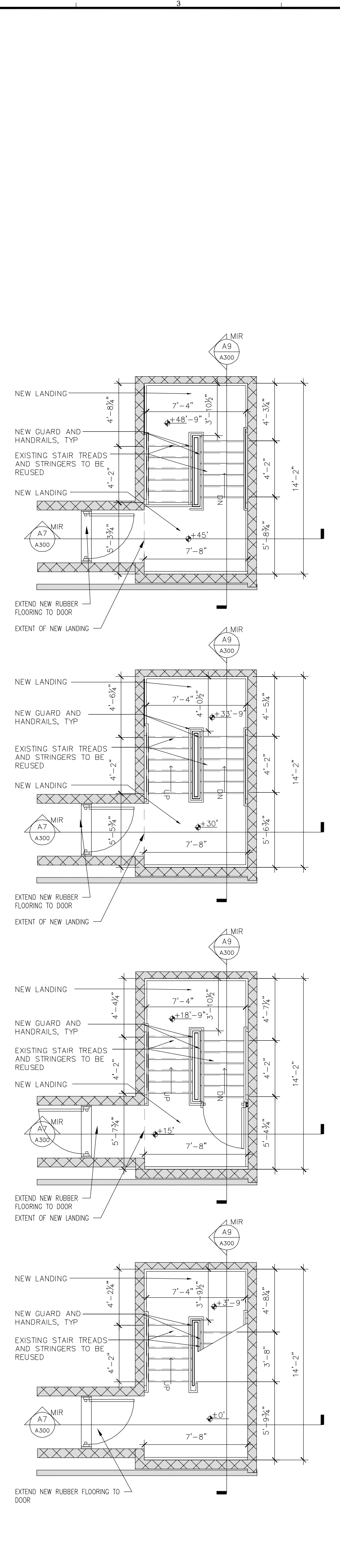
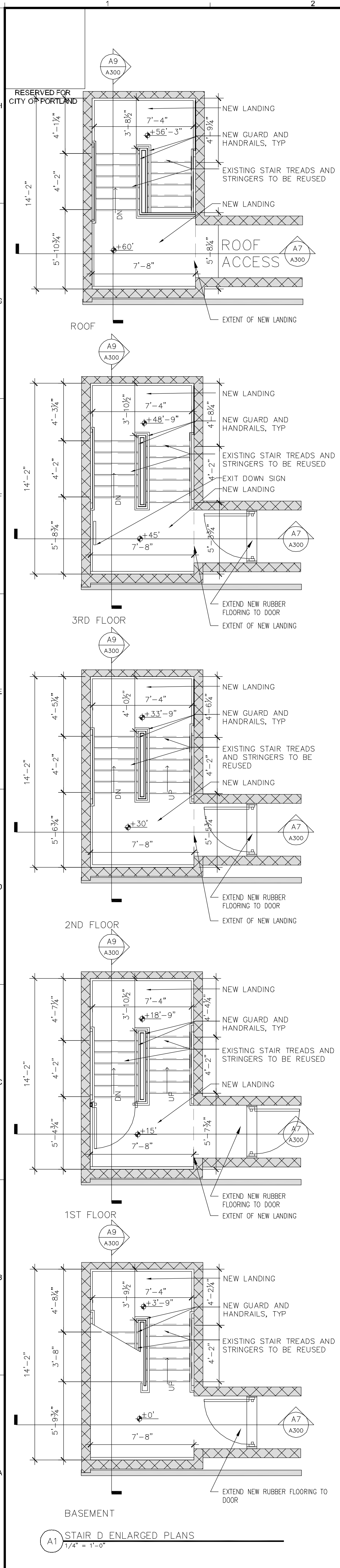
TITLE  
STAIR SECTIONS  
AND DETAILS

SHEET

A300

VERTICAL CIRCULATION GENERAL NOTES

1. ALL HANDRAIL AND GUARDRAIL COMPONENTS SHALL BE ABLE TO WITHSTAND A HORIZONTAL LOAD OF 250 POUNDS AT ANY POINT.
2. GUARDRAILS SHALL NOT ALLOW THE PASSAGE OF A 4-INCH SPHERE BETWEEN MEMBERS.



Wednesday, October 1, 2014 6:06:17 PM CHELSEA LIPHAM

H:\MASTER PROJ FILES\2014\10 WORKING FILES\02 ARCHITECTURAL\UNUM CAD\SHEETS\A300-A301 STAIRS.DWG