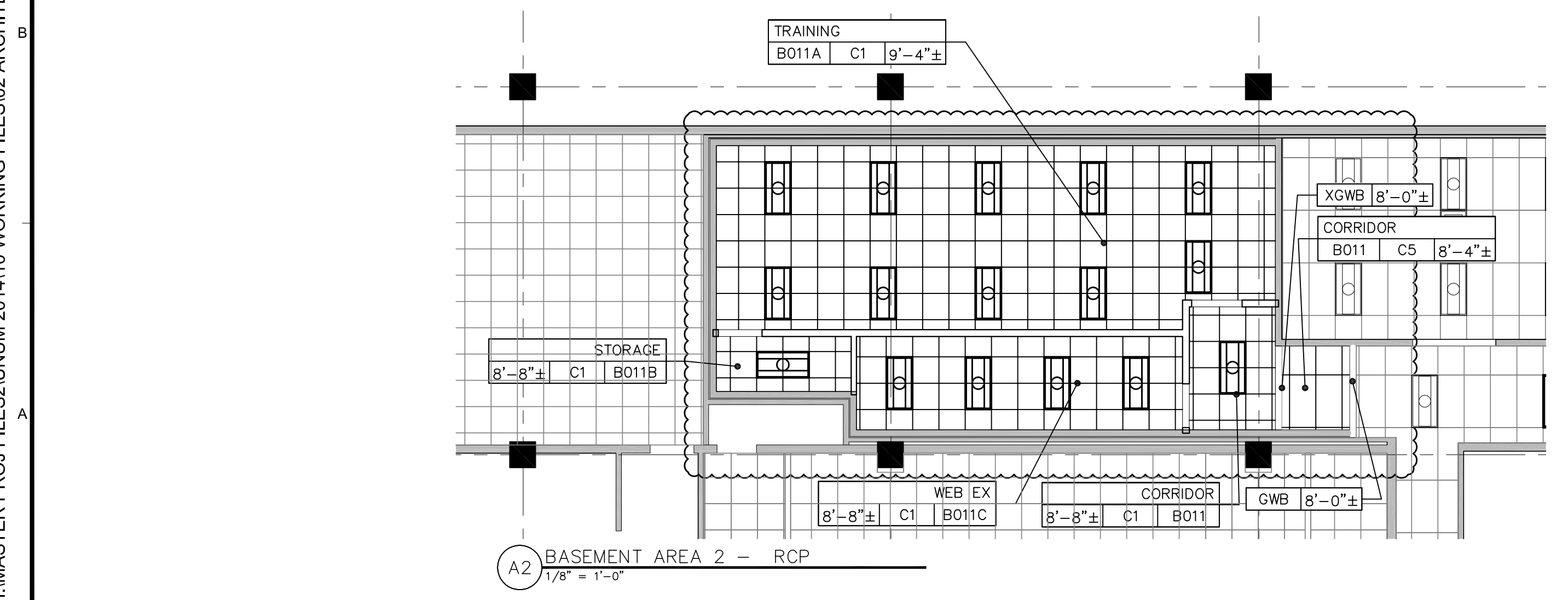
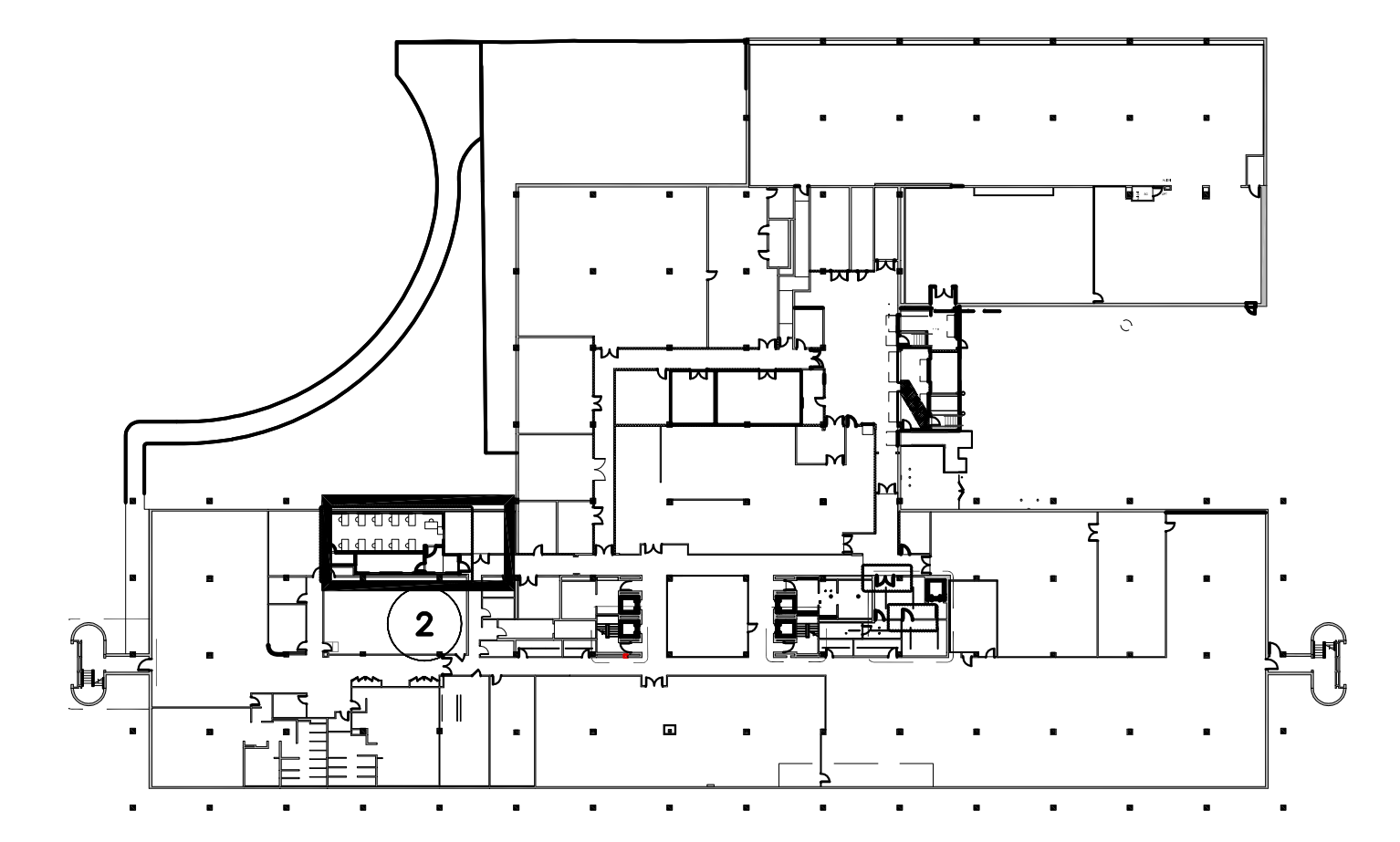


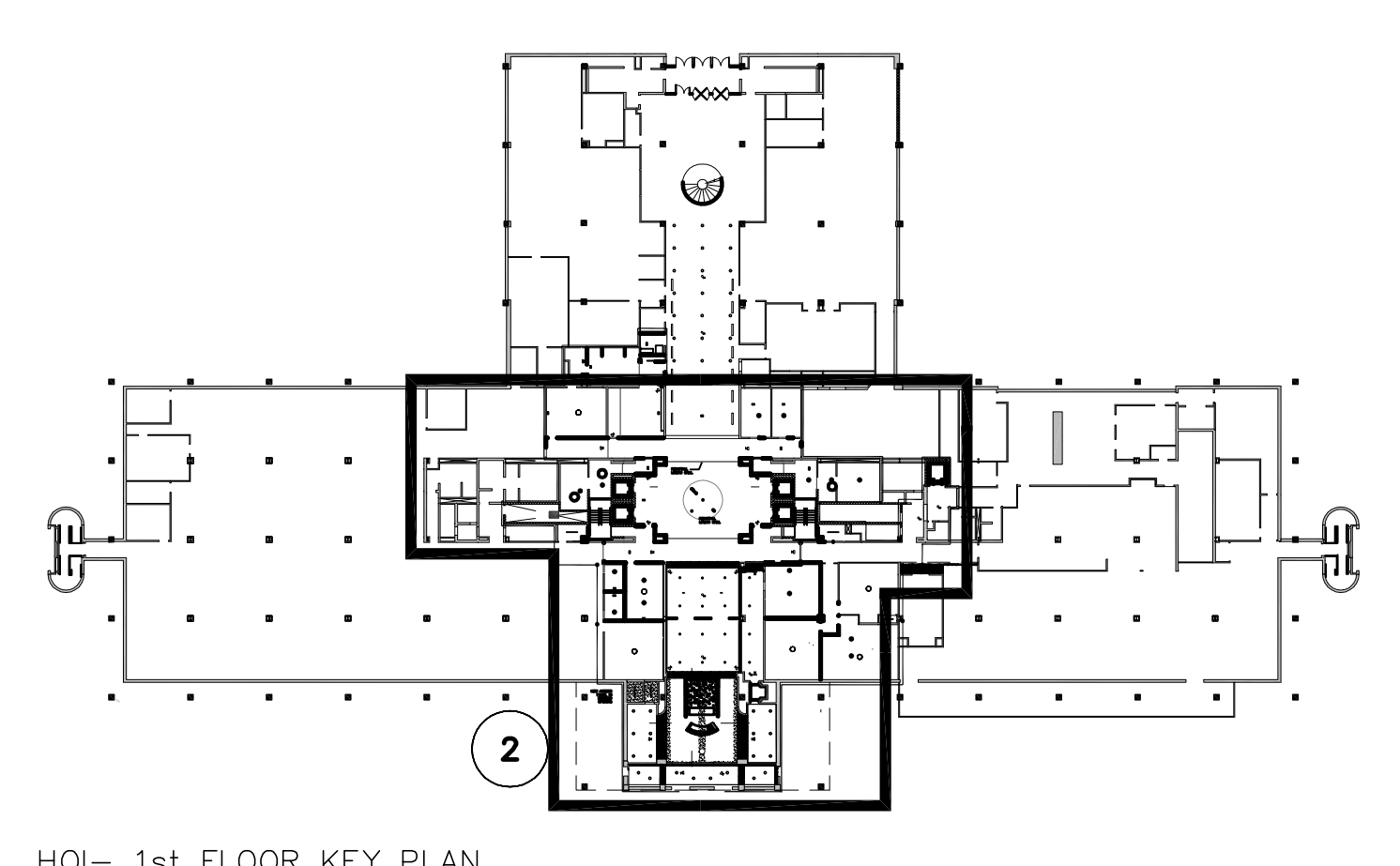
B2 1ST FLOOR AREA 2 - LOBBY AND SURROUNDINGS RCP
1/8" = 1'-0"



A2 BASEMENT AREA 2 - RCP
1/8" = 1'-0"



HOI- BASEMENT KEY PLAN
NTS



HOI- 1st FLOOR KEY PLAN
NTS

EXISTING CEILING TYPES:

- XC2 - EXISTING 2'x2' CEILING TILE
- XC5 - EXISTING 2'x4' CEILING TILE
- XGWB - EXISTING GWB SOFFIT
- EXP - EXPOSED STRUCTURE

EXISTING CEILING FIXTURES LEGEND:

- [Symbol] DIRECT INDIRECT FLUORESCENT LIGHT - INCLUDES NITE AND EMERGENCY LIGHTS, BOTH 2x2 & 2x4
- [Symbol] FLUORESCENT LIGHT TROFFER
- [Symbol] FLUORESCENT LIGHT - LENSED
- [Symbol] PLENUM RETURNS (SIZES VARY)
- [Symbol] LINEAR PENDANTS
- [Symbol] RECESSED CAN
- [Symbol] LINEAR FLUORESCENT STRIP LIGHT
- [Symbol] DIFFUSER
- [Symbol] SPEAKER
- [Symbol] SMOKE DETECTOR
- [Symbol] MIRROR (SALVAGE)

NEW CEILING TYPES:

- C1 NEW 2'x2' CEILING TILE
- C2 NEW 2'x2' CEILING TILE (MATCH EXISTING TILE AND GRID)
- C3 NEW 2'x6' PLANK
- C4 NEW 2'x5' PLANK
- C5 NEW 2'x2' CEILING TILE (MATCH EXISTING TILE AND GRID)
- GWB NEW GWB

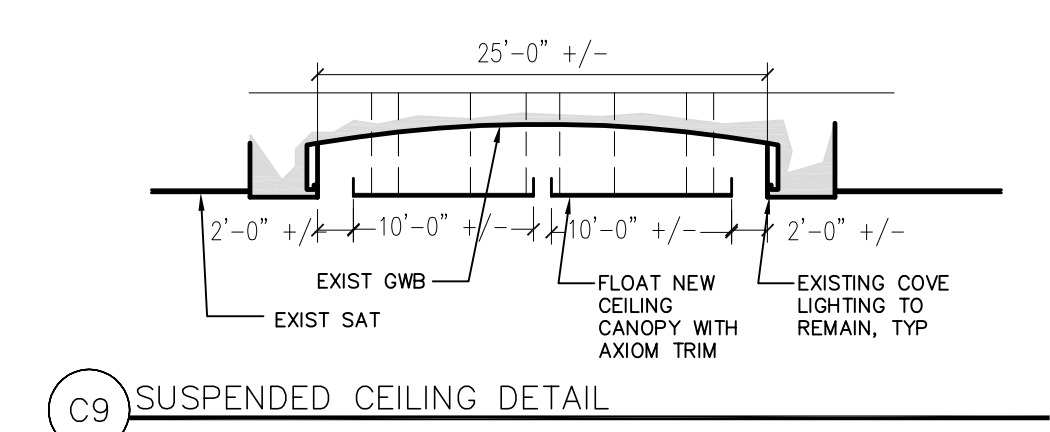
NEW CEILING FIXTURES LEGEND:

- [Symbol] NEW OR RELOCATED FLUORESCENT LIGHT (SEE ELECTRICAL)
- [Symbol] RELOCATED RECESSED LINEAR LIGHT (SEE ELECTRICAL)
- [Symbol] RELOCATED DIRECT/INDIRECT (SEE ELECTRICAL)
- [Symbol] NEW OR RELOCATED RECESSED CAN (SEE ELECTRICAL)
- [Symbol] NEW OR RELOCATED DIFFUSER (SEE MECHANICAL)
- [Symbol] CEILING MOUNTED SECURITY CAMERA - SEE ELECTRICAL DRAWINGS FOR TYPE AND POSITION
- [Symbol] NEW SPEAKER
- [Symbol] NEW OR RELOCATED SMOKE DETECTOR
- [Symbol] MIRROR (REINSTALLED)
- [Symbol] OCCUPANCY SENSOR
- [Symbol] CEILING MOUNTED STROBE/HORN

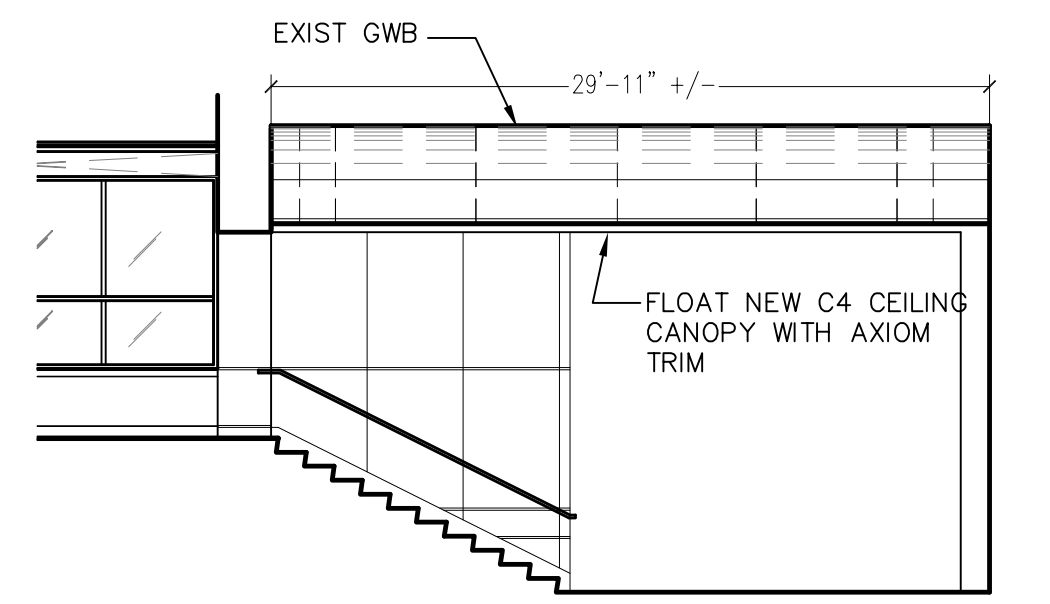
GENERAL CEILING NOTES:

- THIS CEILING PLAN IS DIAGRAMATIC IN NATURE AND DOES NOT SHOW EVERY FIXTURE. PLEASE REFER TO ELECTRICAL AND MECHANICAL DOCUMENTS FOR FIXTURE TYPES AND LOCATIONS. ALL WALL PENETRATIONS AND DEVICES SHALL BE COORDINATED PRIOR TO INSTALLATION.
- SEE MECH. DWGS. FOR RETURNS AND DIFFUSER LOCATIONS AND SIZES. SHOWN HERE FOR REFERENCE ONLY.
- SEE ELECT. DWGS. FOR LIGHT TYPES AND ADDITIONAL DEVICES.
- CENTER GRID LAYOUT IN ROOMS UNLESS OTHERWISE NOTED.
- ALL COMPONENTS MOUNTED IN OR BELOW SUSPENDED CEILING SHALL BE CENTERED IN THE CEILING TILE UNLESS OTHERWISE NOTED.
- ABATEMENT UNDER SEPARATE CONTRACT HAS PREVIOUSLY REMOVED CEILINGS INDICATED HERE AS NEW.
- REPAIR ALL CEILINGS DAMAGED OR MISSING DUE TO ABATEMENT WORK - ALL AREAS MAY NOT BE INDICATED. REVIEW CONDITIONS PRIOR TO START OF WORK TO CONFIRM.

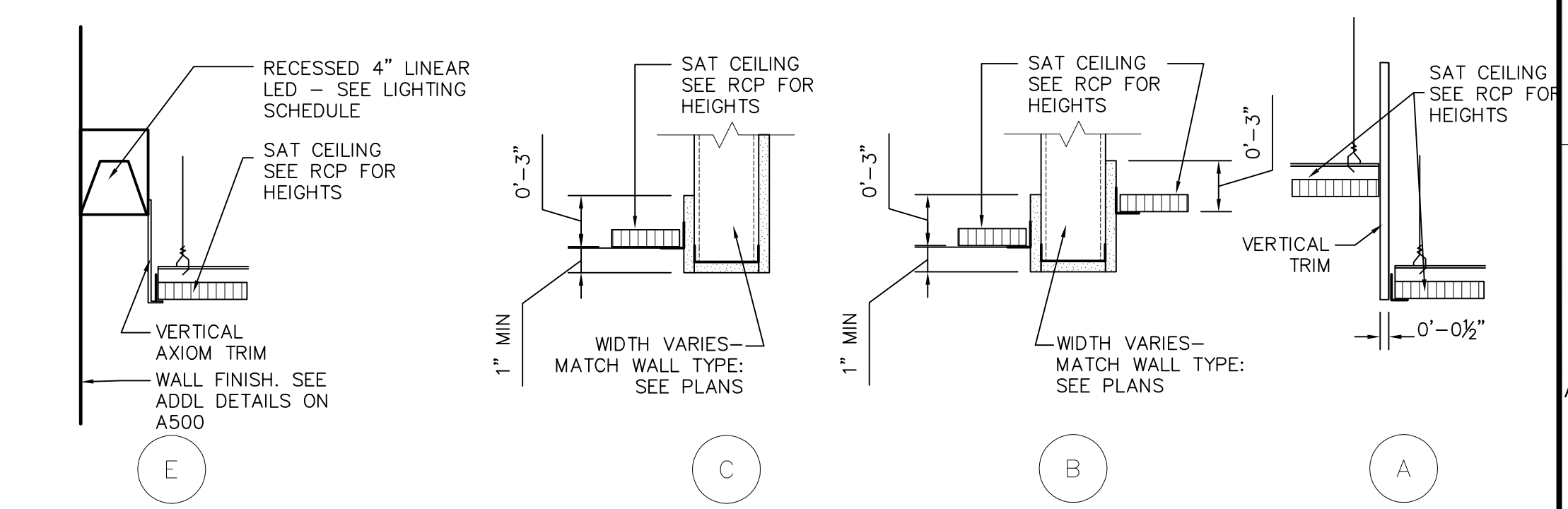
HOI-CEILING GENERAL NOTES AND LEGEND



C9 SUSPENDED CEILING DETAIL



B9 SUSPENDED CEILING DETAIL



HOI-TYPICAL CEILING DETAILS

PDT ARCHITECTS
49 DARTMOUTH STREET
PORTLAND, MAINE 04101
207-775-1099
www.pdtarch.com

Allied Engineering
Structural Mechanical
Electrical Commissioning

160 Veranda Street
Portland, Maine 04103
T: 207-231-2260
F: 207-231-2266
Web: www.allied-eng.com

Project No:
CAD File:
COPYRIGHT 2014
PDT Architects
Reuse or reproduction of the contents of this document is not permitted without the written permission of PDT Architects.

2014 UNUM - HOI Interior Renovations
PORTLAND, MAINE

REGISTERED ARCHITECT
BRIAN
MAYHEW
1231
STATE OF MAINE

PDT JOB NO.
13-096

DRAWN
JRB

SCALE
1/8" = 1'-0"

ISSUE: 2 Oct 2014
PERMIT SET

TITLE
BASEMENT/1ST FL
RCP

SHEET
A-113

Wednesday, October 8, 2014 11:30:02 AM CHELSEA LIPHAM

H:\MASTER PROJ FILES\UNUM 2014\10 WORKING FILES\02 ARCHITECTURAL\UNUM CAD\SHEETS\A113-A114 RCPs.DWG