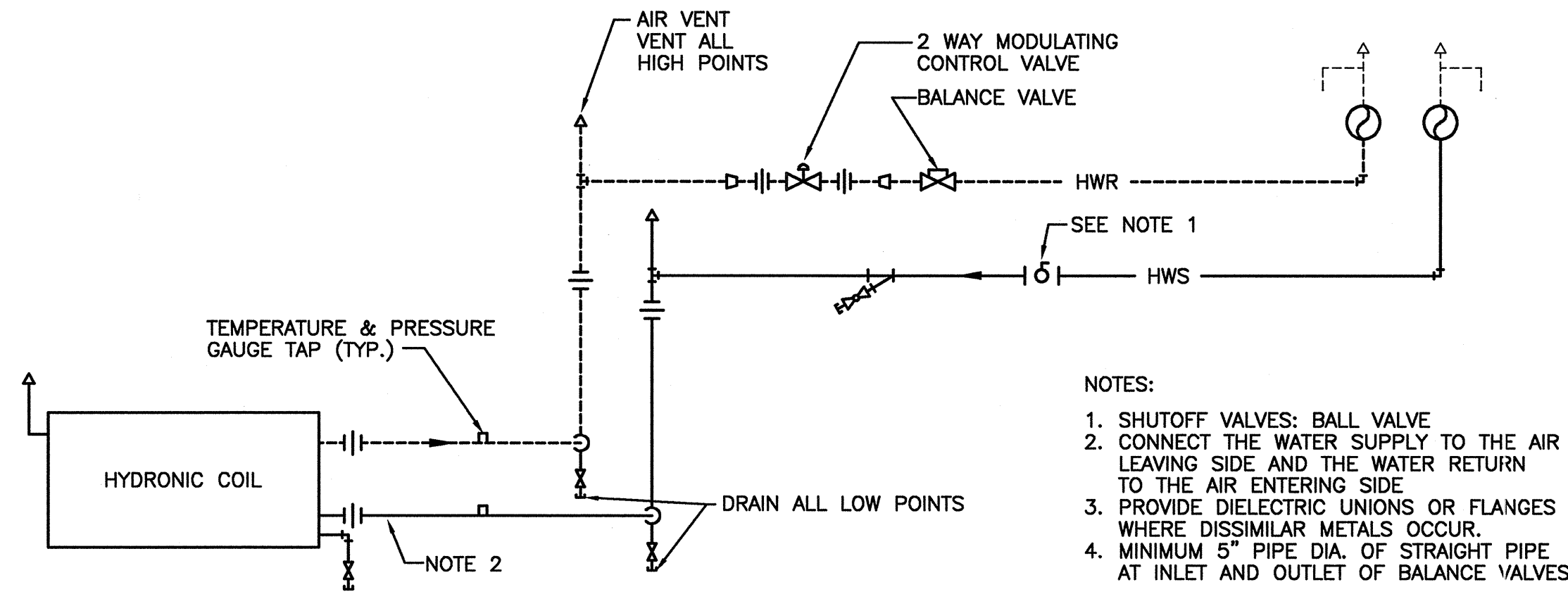
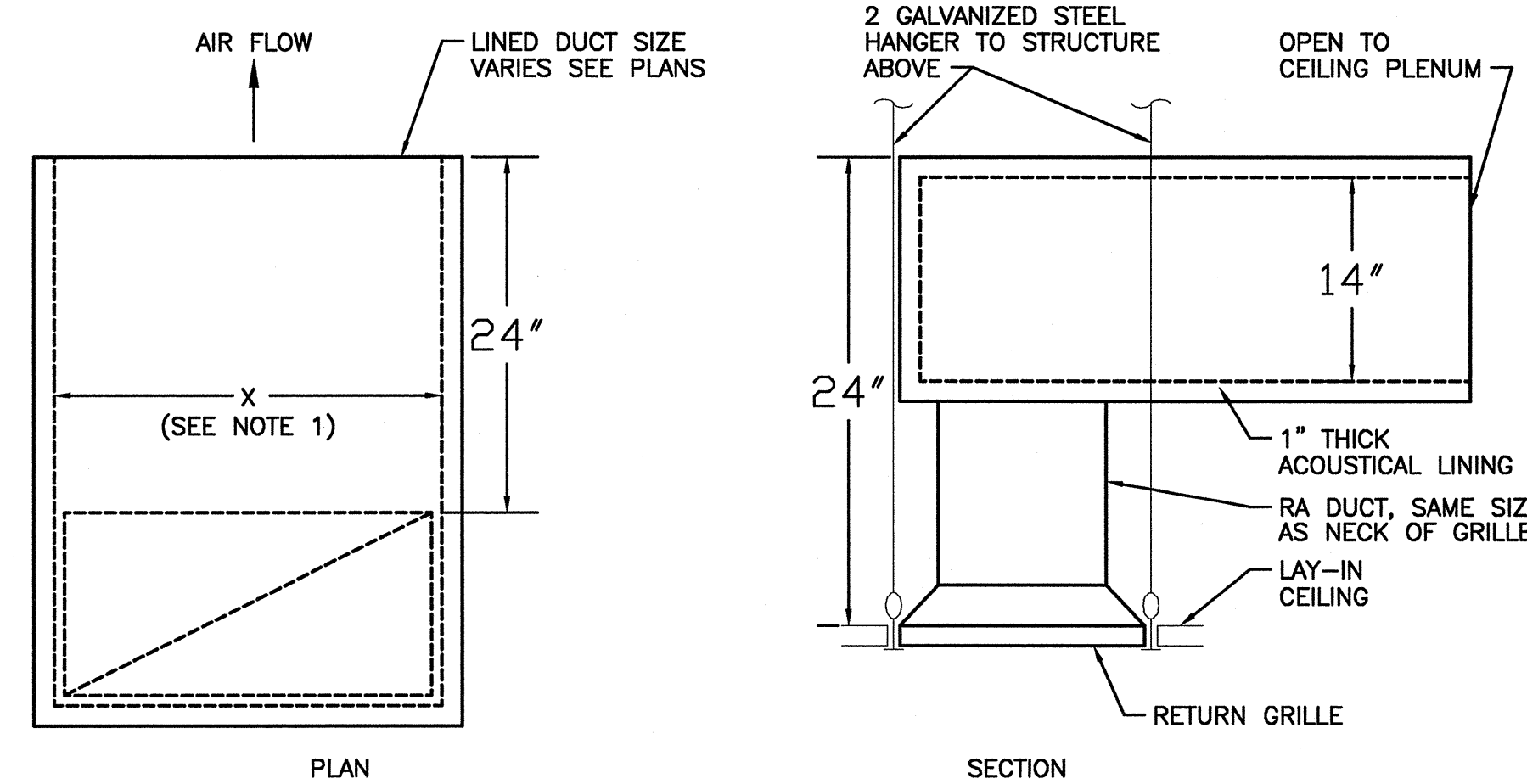


**NOTE:**  
1. SEE SHEET M-001 FOR LEGEND AND ABBREVIATIONS.



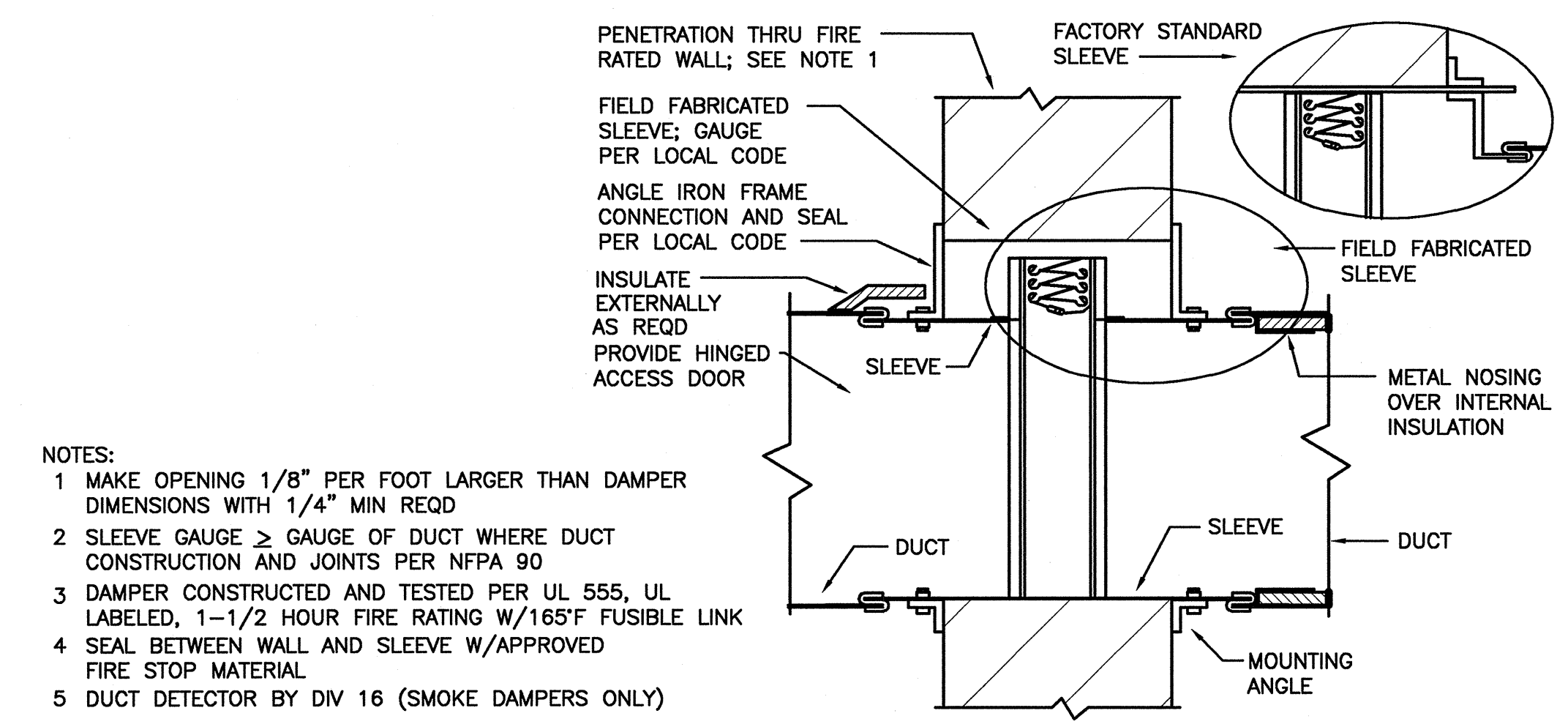
**J5 HEATING COIL, TWO-WAY VALVE (CHILLED WATER COIL SIMILAR)**

NOT TO SCALE



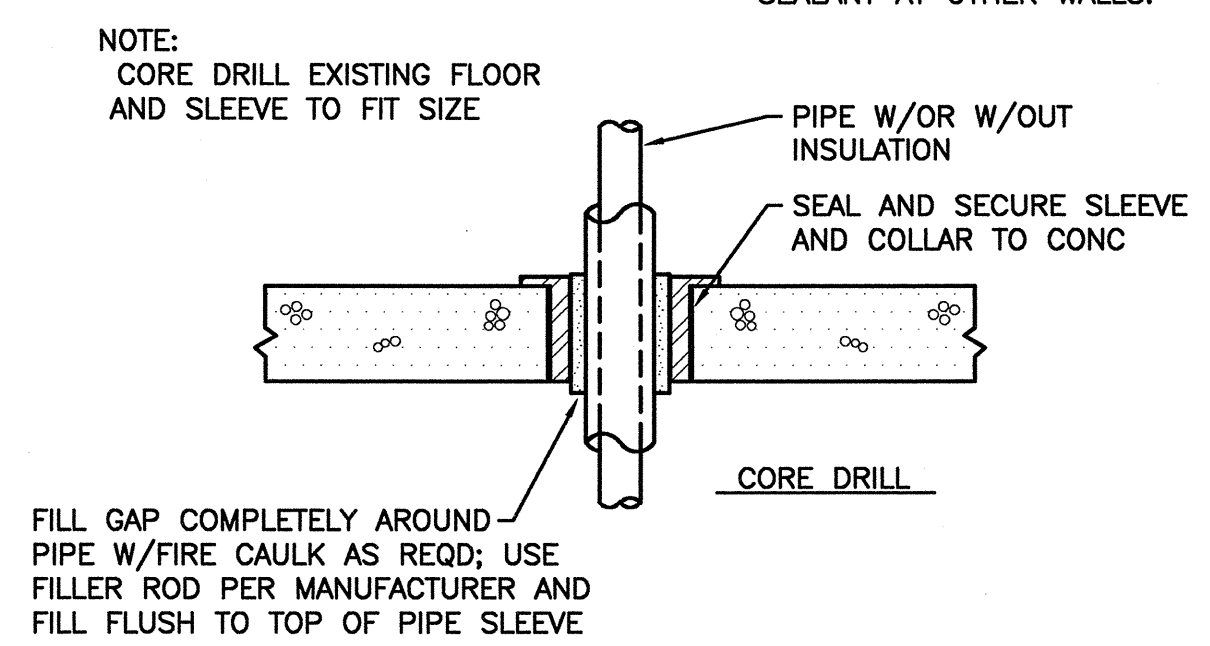
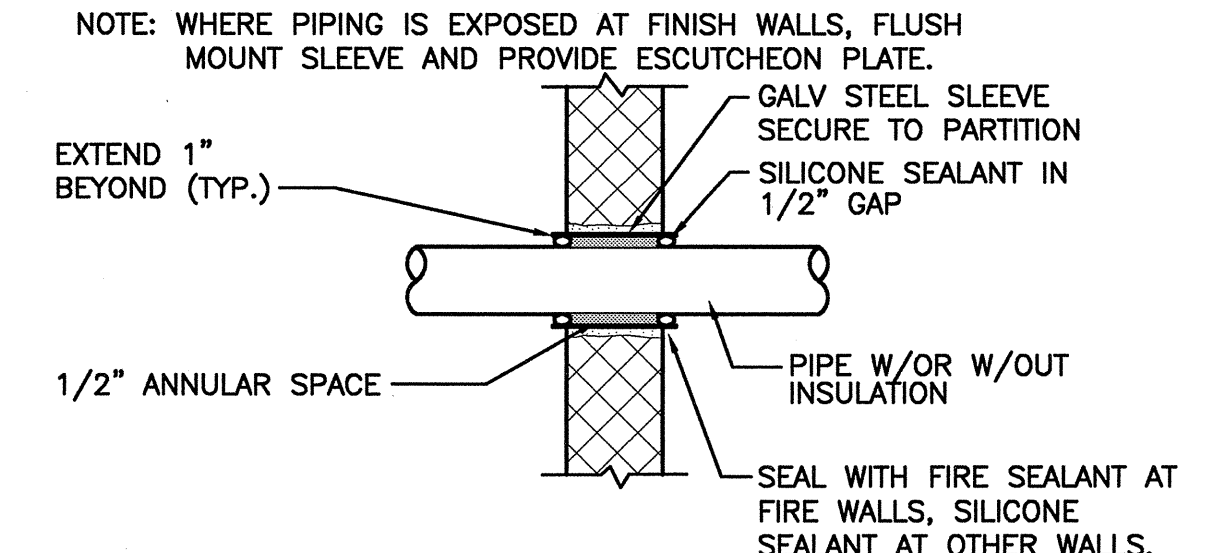
**E5 ACOUSTICAL RETURN DUCT DETAIL (R-2)**

NOT TO SCALE



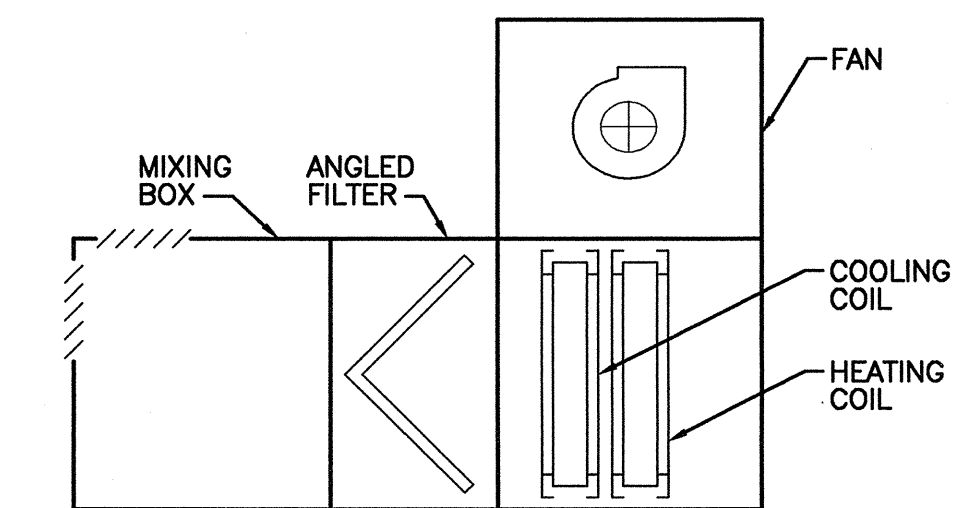
**A5 FIRE DAMPER**

NOT TO SCALE



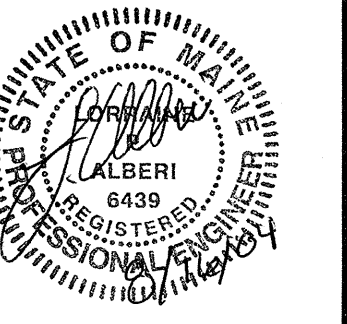
**C12 PIPE PENETRATION DETAILS**

NOT TO SCALE



**A12 AHU-1**

NTS



UNIMPROVIDENT CORPORATION  
HO-1 BEACON PHASE II  
PORTLAND, MAINE  
ISSUED FOR CONSTRUCTION  
8-16-2004

REV	DESCRIPTION	DATE
0	ISSUED FOR CONSTRUCTION	8-16-04

GRAPHIC SCALE:  
0" 1"  
SCALE: AS NOTED  
PROJECT MANAGER: JLH  
JC/DRAWN BY: CEB/CAH  
A/E OF RECORD: LPA  
CAD FILE: M-501-04054  
PROJECT NO: 04054-00  
DATE: 8-16-04  
SHEET TITLE:

**DETAILS**  
SHEET No.  
**M-501**  
© COPYRIGHT 2004 SMART INC