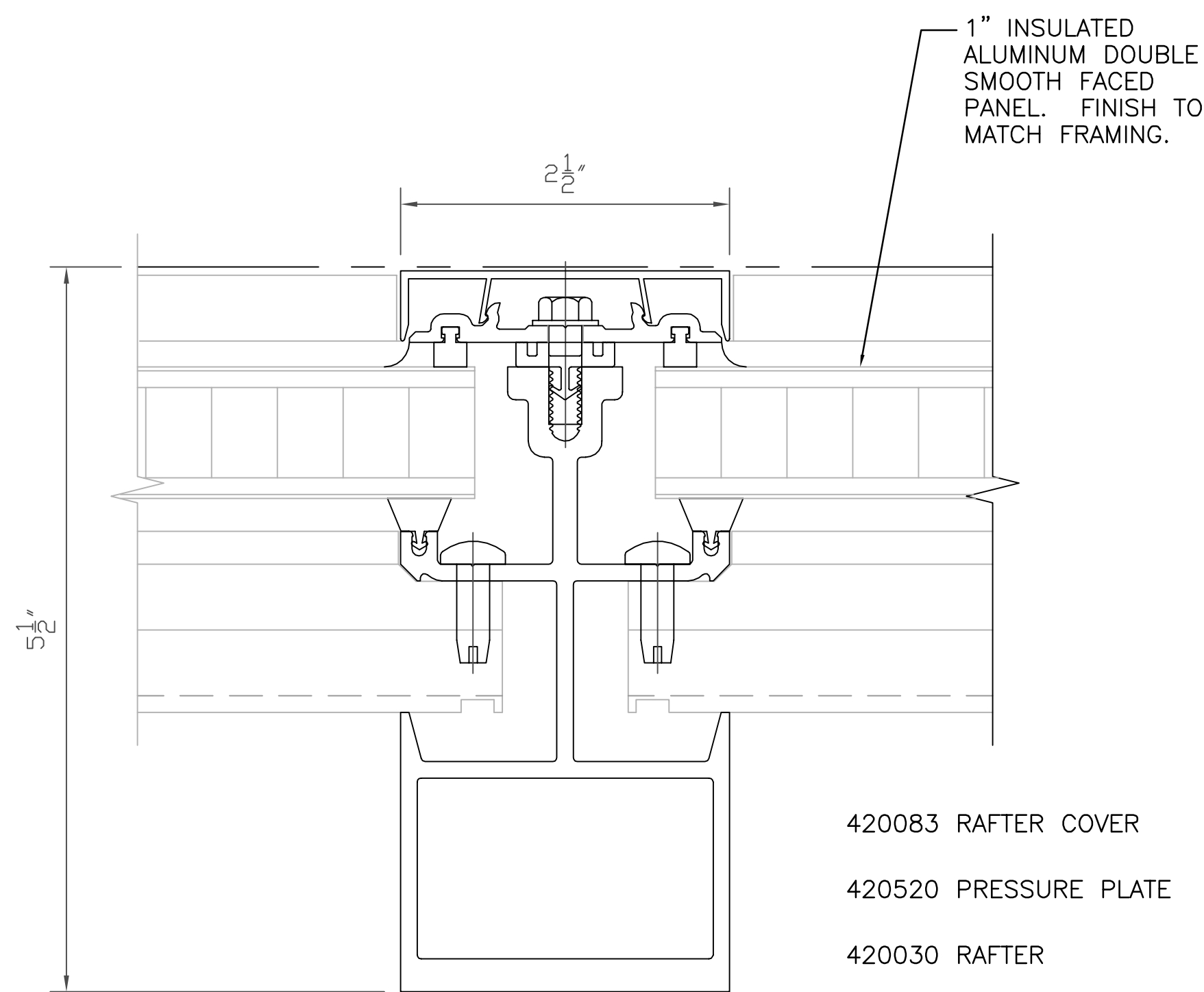
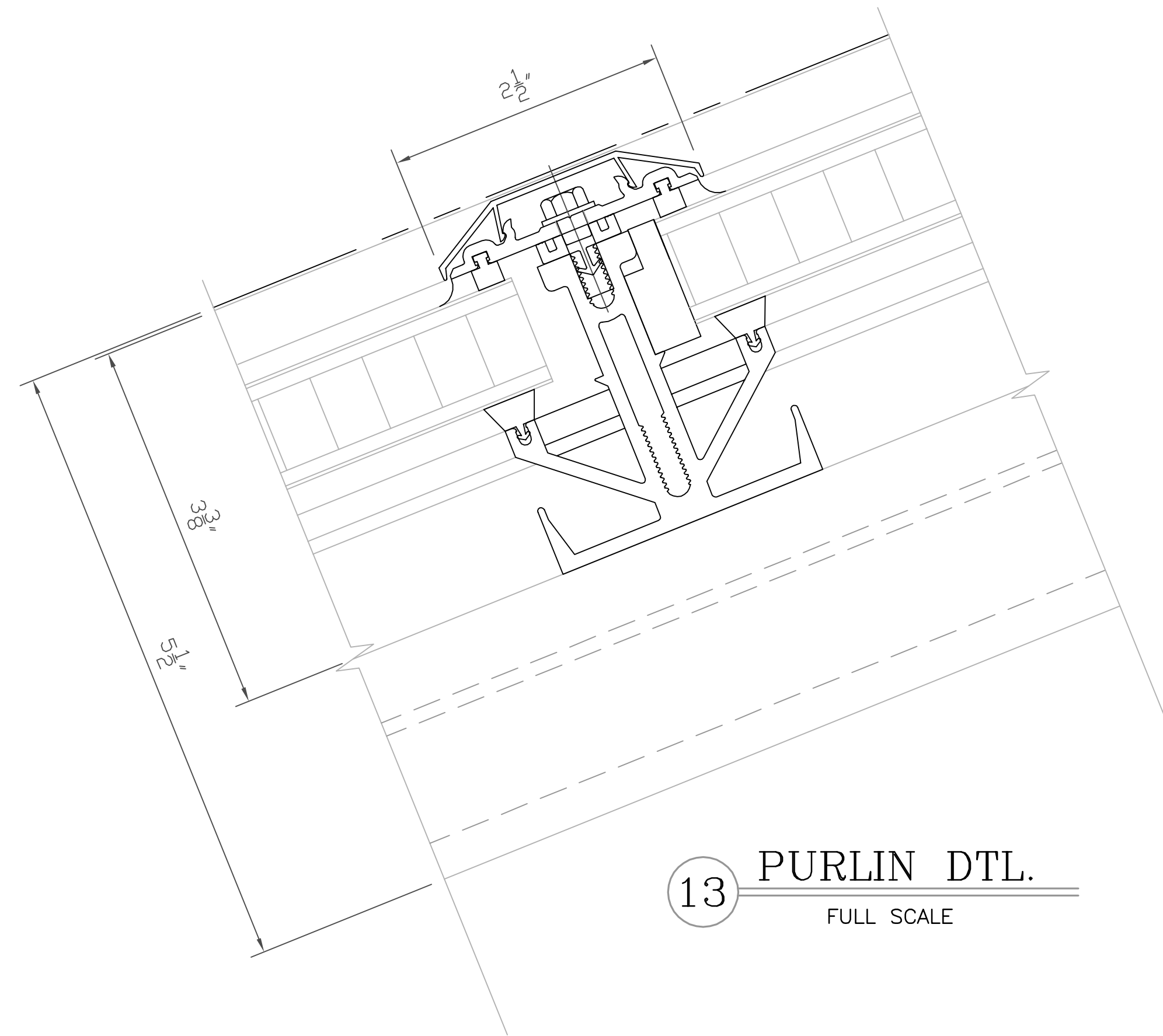


11 SLOPE JAMB DTL.
FULL SCALE

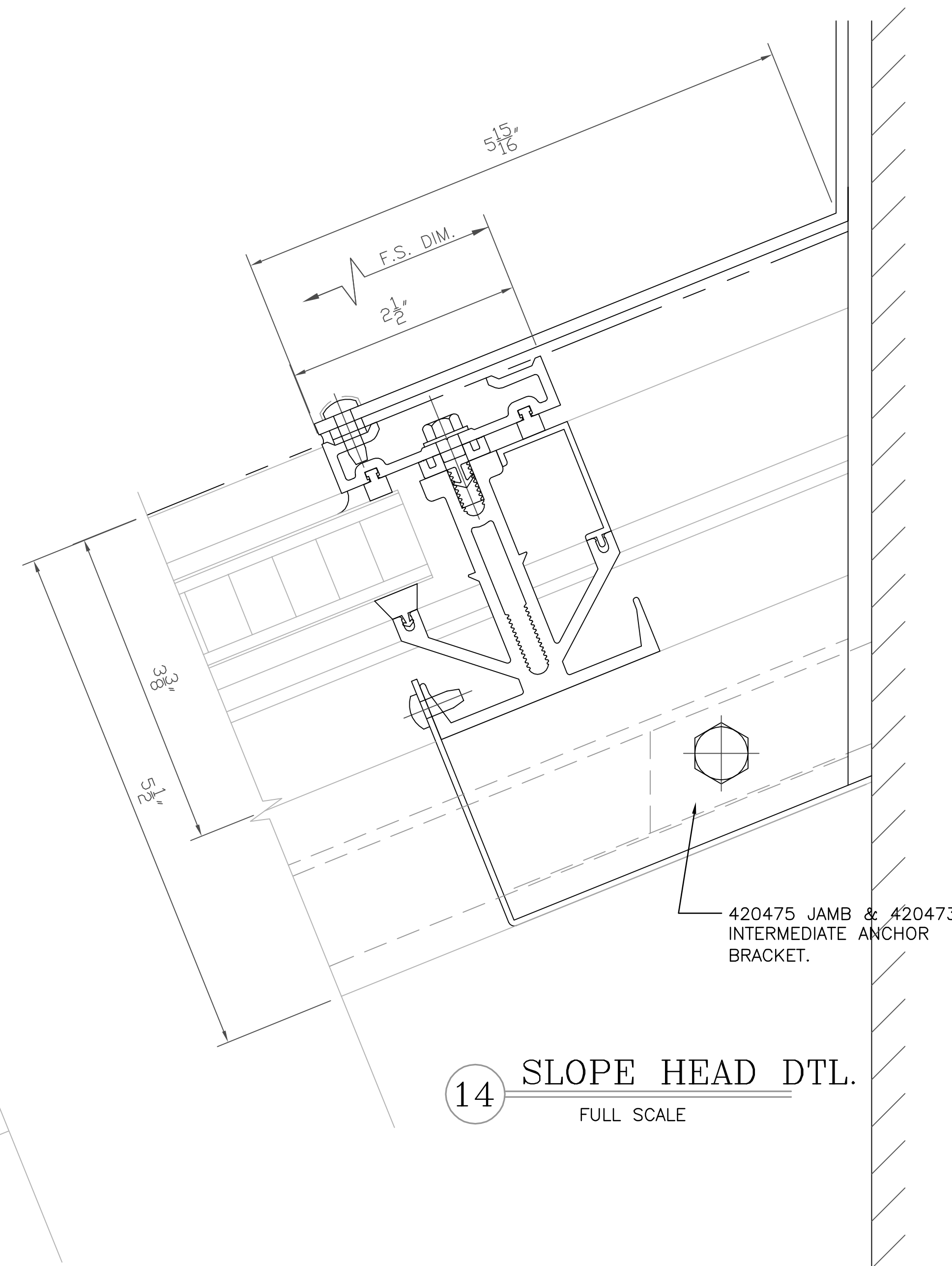


12 RAFTER DTL.
FULL SCALE

- 420082 PURLIN COVER
- 420520 PRESSURE PLATE
- 420002 PURLIN



13 PURLIN DTL.
FULL SCALE



14 SLOPE HEAD DTL.
FULL SCALE

420475 JAMB & 420473 INTERMEDIATE ANCHOR BRACKET.

PG PORTLAND GLASS
261 BATH ROAD
BRUNSWICK, ME 04011
PHONE: 207-729-9971
FAX: 207-729-5975

PG Portland Glass.
A Glass Doctor Company

LAST REVISED: 8/29/17

JOB NAME: TIME WARNER

ABBREVIATIONS:

M.O.- MASONRY OPENING
F.O.- FINISHED OPENING
D.O.- DOOR OPENING
S.O.- STEEL OPENING
A.F.F.- ABOVE FINISHED FLOOR
DIM.- DIMENSION
C- CENTER LINE

F.S.- FRAME SIZE
W.S.- WINDOW SIZE
REQ'D- REQUIRED
CLR.- CLEAR
B.O.S.- BOTTOM OF STEEL
T.O.S.- TOP OF STEEL
NTS - NOT TO SCALE

SYMBOLS:

ELEVATION NUMBER
SHEET NUMBER

DETAIL NUMBER
SHEET NUMBER

REVISIONS:

NO.	DATE:	DESCRIPTION:	NO.	DATE:	DESCRIPTION:
△			△		
△			△		
△			△		
△			△		
△			△		

JOB NAME: TIME WARNER

ARCHITECT:

CONTRACTOR:

DATE:
8/29/17

SCALE:
AS NOTED

DRAWN BY:
R.L. HUNTLEY

SHEET NUMBER

4 OF 5