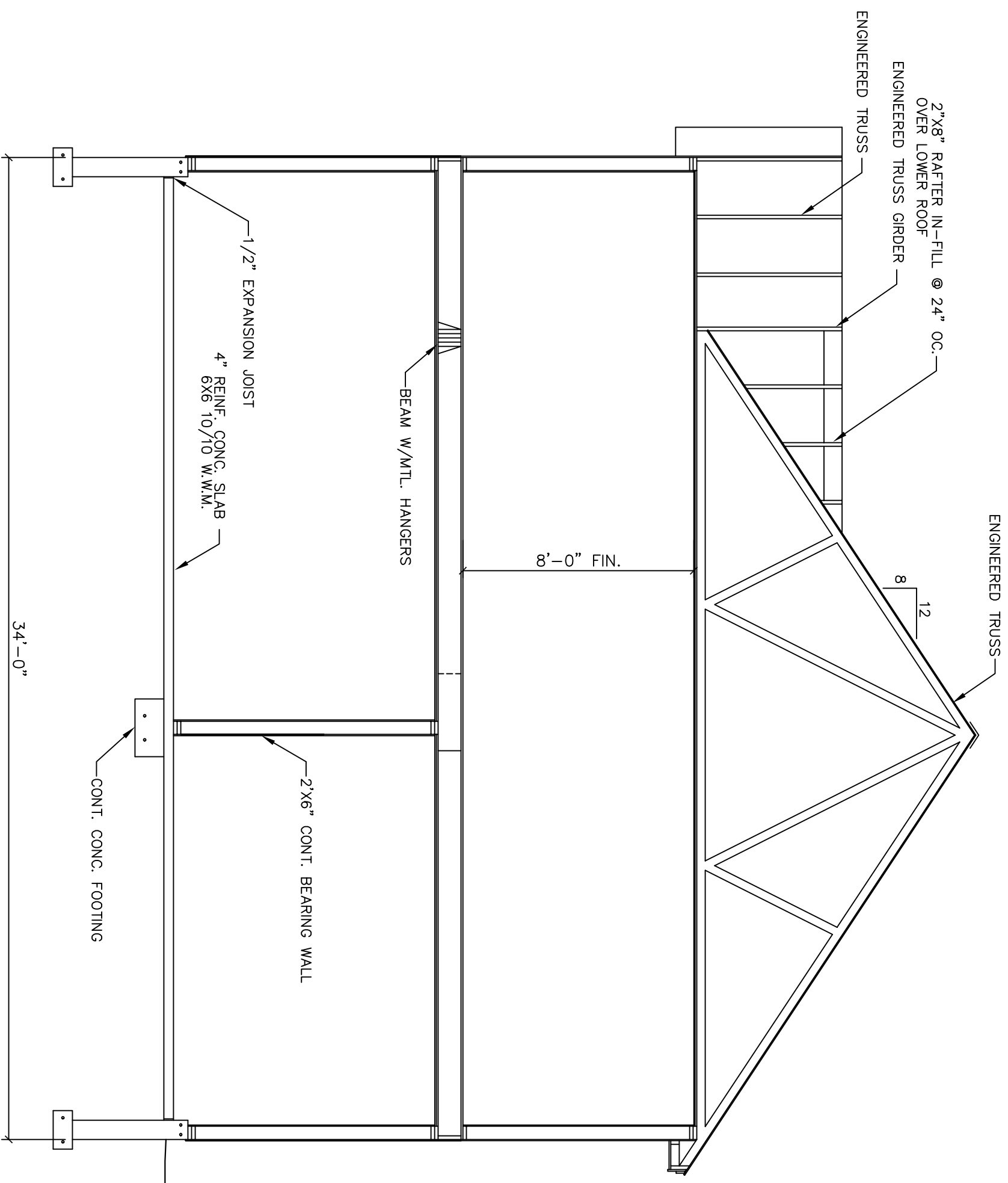
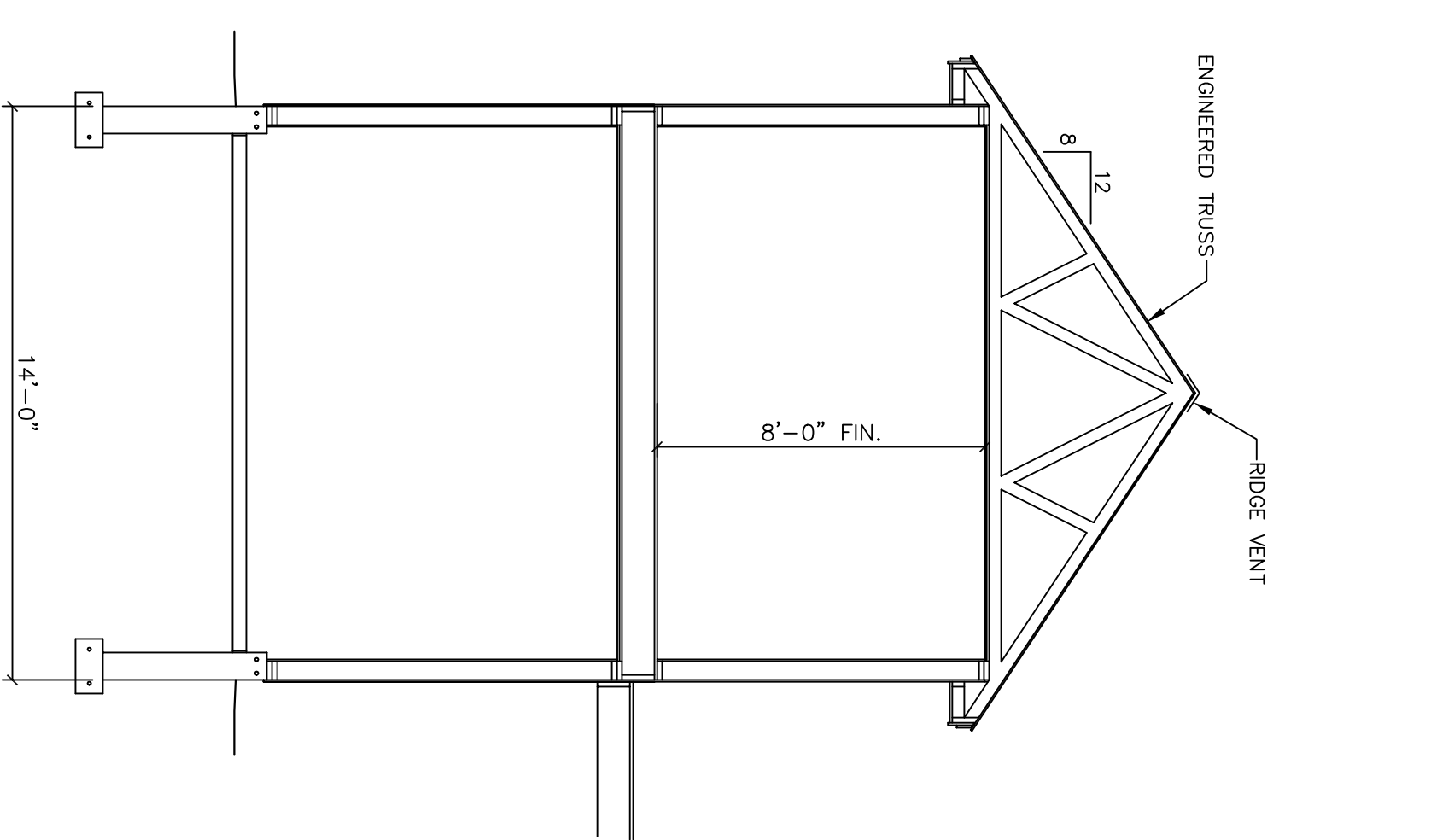


ALL DRAWINGS, PLANS, SKETCHES ETC. ARE PROVIDED TO OUR CLIENTS BASED UPON INFORMATION PROVIDED BY THE CLIENT AND DRAWN IN ACCORDANCE WITH COMMON BUILDING PRACTICES. NONE OF THE EMPLOYEES OF MORIN DRAFTING ARE REGISTERED ARCHITECTS, STRUCTURAL ENGINEERS OR LAND SURVEYORS. CODES SHALL BE REVIEWED AND APPROVED BY APPROPRIATE REGISTERED PROFESSIONALS, IF NOT, SHALL BE RESPONSIBILITY OF CONTRACTOR OR OWNER. ALL NOTING, SPECIFICATION AND DIMENSIONS SHALL BE BROUGHT TO THE ATTENTION OF MORIN DRAFTING BEFORE WORK BEGINS. ALL OMISSIONS SHALL BE BROUGHT TO THE ATTENTION OF MORIN DRAFTING. IF PLANS ARE NOT VERIFIED BY CLIENT AND/OR CONTRACTOR BEFORE CONSTRUCTION BEGINS MORIN DRAFTING SHALL BE HELD HARMLESS. IN ALL EVENTS DAMAGES SHALL BE LIMITED COST OF THE PLANS. MORIN DRAFTING ASSUMES NO LIABILITY FOR CONSTRUCTION DEFECTS, CHANGES AND/OR REVISIONS TO PLANS.



3 SECTION
A4 SCALE: 1/4"=1'-0"



4 SECTION
A4 SCALE: 1/4"=1'-0"

STANDARD MATERIAL LIST (UNLESS OTHERWISE NOTED)

- FLOOR (WOOD FRAMED)-
 JOISTS: 2"x10" @ 16" OC
 SHEATHING: 3/4" ADVANTECH (GLUED AND SCREWED OR NAILED)
 UNDERLAYMENT: AS RECD. SUITABLE WITH FINISH FLOOR MANUF.
 INSULATE R19 MIN. @ PERIMETER BOX SILLS FILL VOID BETWEEN ALL JOISTS
- WALLS-
 STUDS: 2"x6" @ 16" OC
 SHEATHING: 1/2" OSB
 AIR BARRIER: TYVEK OR EQUIVALENT
 INSULATION: 6 1/2" KRAFT FACED FIBERGLASS BATT INSULATION
 FINISH: 1/2" GYPSUM BOARD
 VAPOR BARRIER: 6 MIL POLY
 FINISH (GARAGE): 5/8" TYPE "X" GYPSUM BOARD PER CODE
 INSULATION WALLS & CEILING OPTIONAL
- CEILING-
 STRAPPING: 1"x3"x8" GYPSUM BOARD
 FINISH (GARAGE): 5/8" TYPE "X" GYPSUM BOARD PER CODE
 VAPOR BARRIER: 6 MIL POLY @ EXTERIOR EXPOSURE ONLY
 INSULATION: (1) LAYER 6" KRAFT FACED FIBERGLASS BATT INSULATION @ INTERIOR SURFACE
 (1) LAYER 6" UNFACED FIBERGLASS BATT INSULATION @ EXT. EXPOSED SURFACE
 1" THERMAX INSUL. @ INTERIOR SLOPES WHERE FIBERGLASS IS LESS THAN 12"
- ROOFS-
 TRUSSES: ENGINEERED & MANUFACTURED ROOF TRUSS
 20 YEAR ASPHALT SHINGLES
 3/4" ADVANTECH (GLUED AND SCREWED OR NAILED)
 ICE WATER SHIELD ALL VALLEYS, 4" @ ROOF EDGE, ENTIRE SURFACE W/PITCHES UNDER 5/12
 STEPPED METAL FLASHING @ ALL CHIMNEYS
 ALL ROOFS SHALL HAVE PROPER VENTILATION WITH PROPER VENTS, RIDGE VENTS AND SOFFIT VENTS.
- SOFFIT/RAKE TRIM-
 1"x3"x8" GYPSUM BOARD
 1"x3"x8" GYPSUM BOARD
 SOFFIT: 1"x STOCK

MORIN DRAFTING GORHAM, ME. 893-2462	
TREELINE DEVELOPMENT	
19 Tide Mill Road, Portland, Maine	
SECTION	
DRAWN: J MORIN	A7
SCALE: 1/4"=1'-0"	
DATE: 05-17-08	
PLAN NO:	