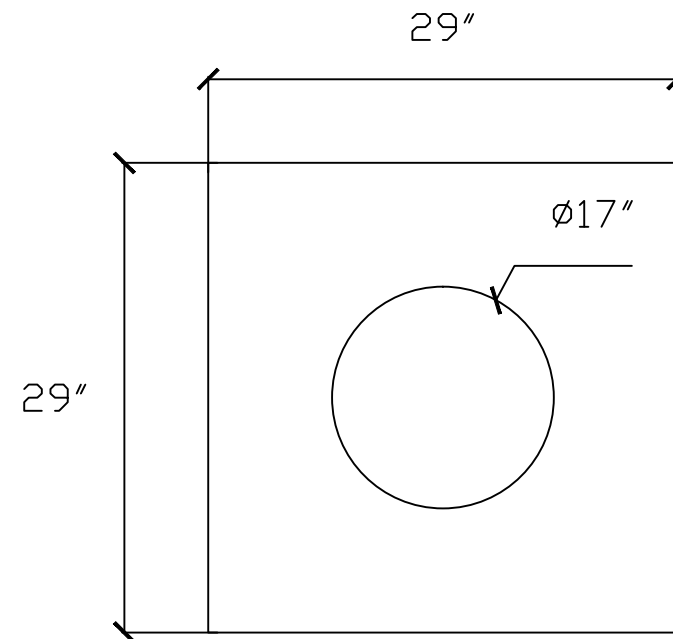


MIN. ROOF OPENING

C-1 SECTION VIEW - FLAT FLASHING TYPE VENT
PG 3 SCALE: N.T.S



IF USING A CURB STRUCTURE, PLEASE PROVIDE
OUTSIDE CURB DIMENSIONS

C-2 PLAN VIEW - FLAT FLASHING VENT BASE
PG 3 SCALE: N.T.S

IF A CURB IS SPECIFIED:
VENT TYPE DETAILS
PLEASE PROVIDE:
OUTER CURB DIMENSIONS (AS BUILT): _____"x_____"
ACTUAL HEIGHT OF CURB ABOVE ROOF: _____"
DESIRED VENT HEIGHT ABOVE CURB STRUCTURE: _____"
(CURB STRUCTURE BY OTHERS)

APPROVED: _____ DATE: _____

U.S. CHUTES
I-800-US-CHUTES (872-4883)

607 BANTAM ROAD
BANTAM, CT. 06750

PROJECT: EMBASSY SUITES		JOB#44353	
ADDRESS: PORTLAND, ME.			
ARCHITECT:			
CONTRACTOR: KTB HOSPITALITY			
AGENT: HOUSE	PROD. NO:	FABRICATION DATE:	
RELEASE			
FOR APPROVAL	FILE COPY	RE-SUBMITTED	
FOR FABRICATION	AS BUILT		
DATE: 08-17-12		DRAWN BY: GMW	DATE:
BY:		SHEET: 3 OF 3	SCALE: AS NOTED