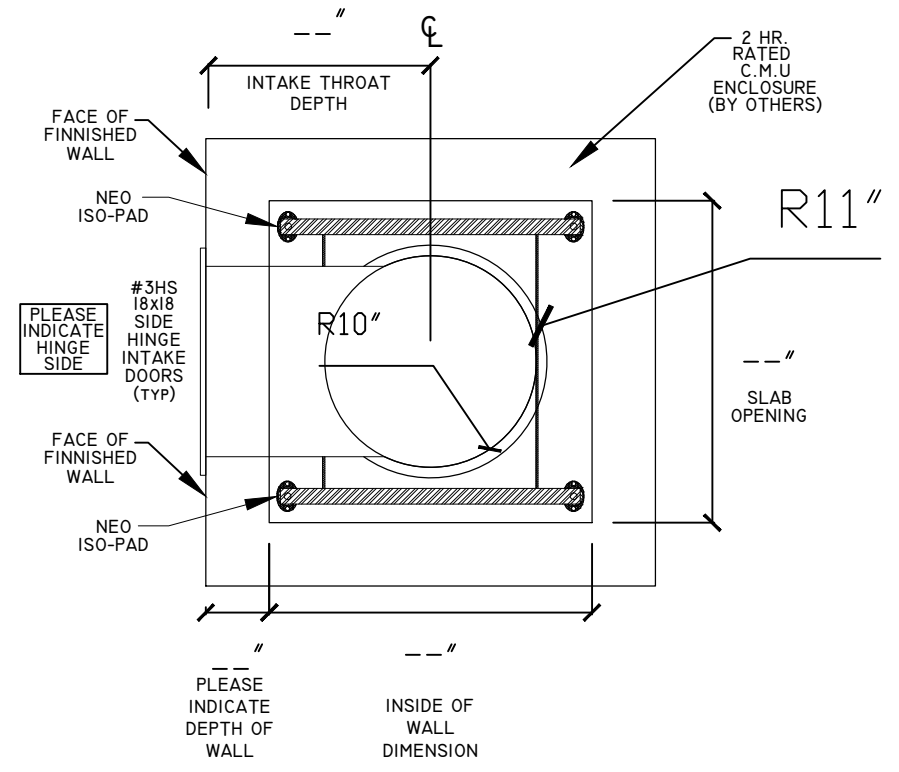
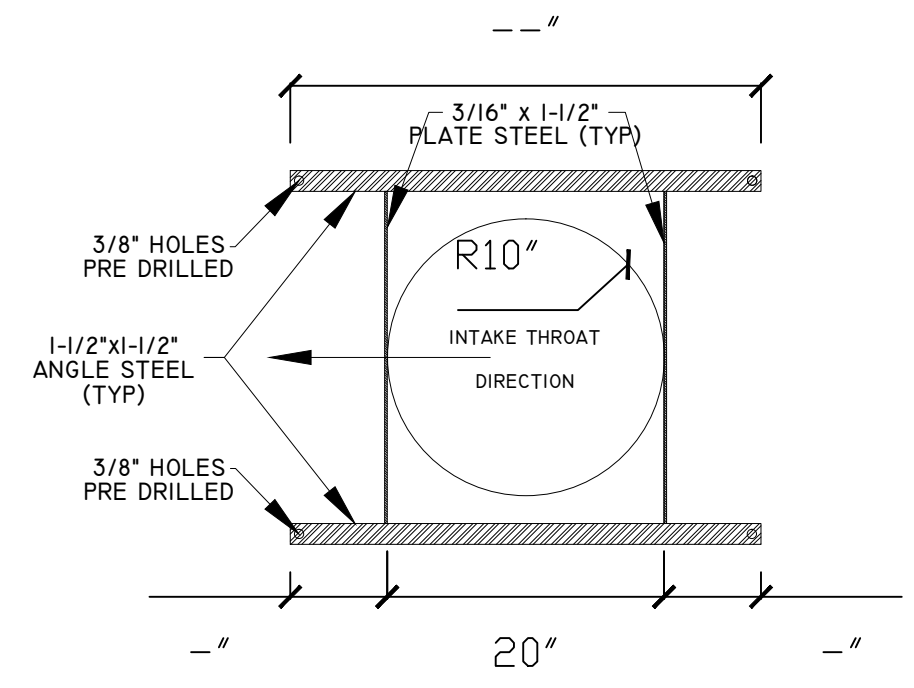


PLEASE PROVIDE:
 1. SLAB OPENING DIMENSIONS
 2. WALL DEPTH, MEASURED FROM THE FRONT OF THE SLAB OPENING TO FACE OF FINISHED WALL AT INTAKE POINT.



B-1 PLAN VIEW- INTAKE & SUPPORT DETAIL COMBINED
 PG 2 SCALE: N.T.S



B-2 PLAN VIEW- SUPPORT GRID DETAIL
 PG 2 SCALE: N.T.S

INTAKE & SUPPORT DETAILS

U.S. CHUTES
 1-800-US-CHUTES (872-4883)

607 BANTAM ROAD
 BANTAM, CT. 06750

PROJECT: EMBASSY SUITES		JOB#44353	
ADDRESS: PORTLAND, ME.			
ARCHITECT:			
CONTRACTOR: KTB HOSPITALITY			
AGENT: HOUSE	PROD. NO:	FABRICATION DATE:	
RELEASE			
FOR APPROVAL	FILE COPY	RE-SUBMITTED	
FOR FABRICATION	AS BUILT		
DATE:	DRAWN BY: GMW	DATE:10-16-12	
BY:	SHEET: 2 OF 3	SCALE:AS NOTED	

A:\US-CHUTES-2010\XX.dwg

APPROVED: _____ DATE: _____