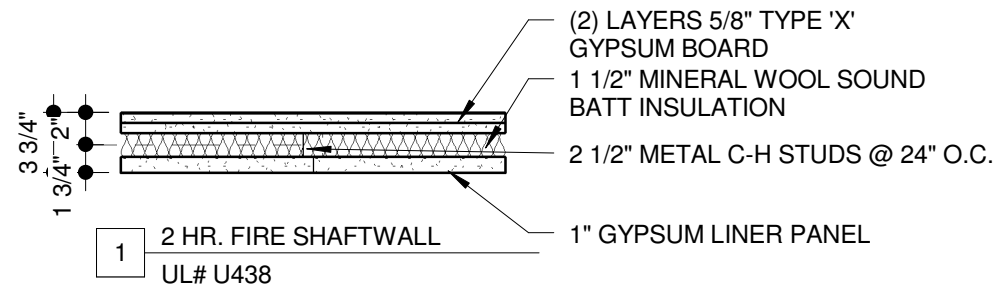


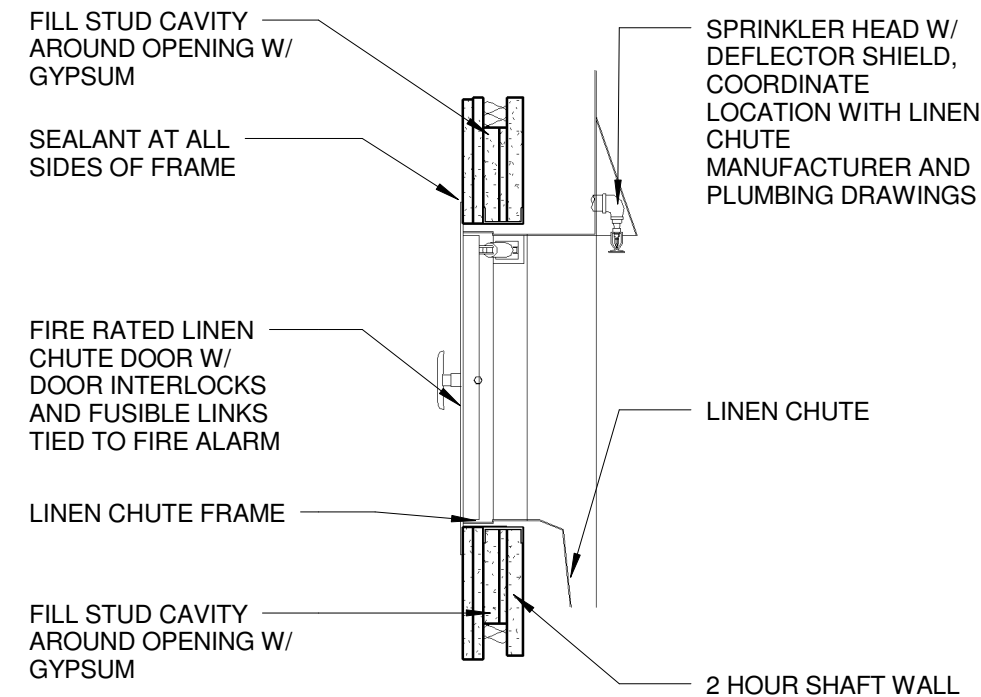
B1 LINEN CHUTE PLAN
1/2" = 1'-0"



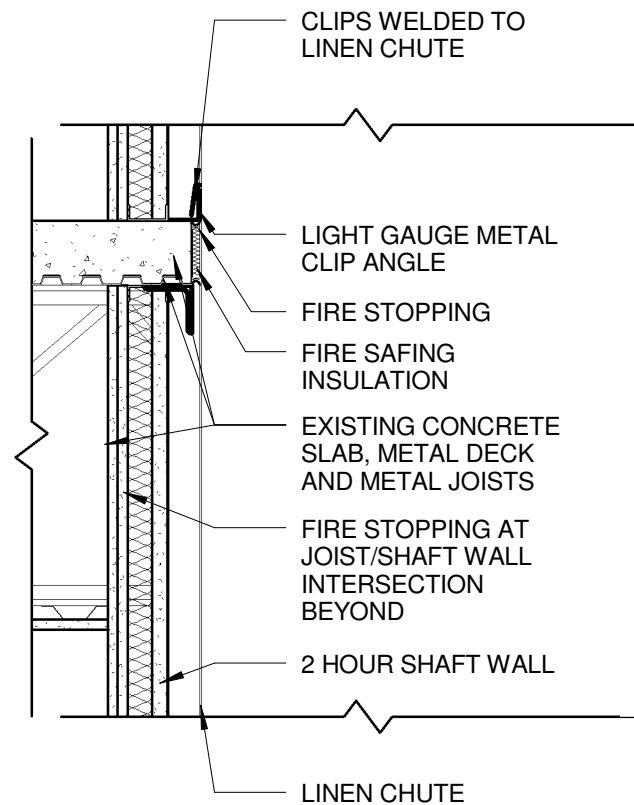
B2 SHAFT WALL DTL.
1" = 1'-0"

THE FIRE RATING DETAILS DEPICTED PROVIDE EQUIVALENT FACILITATION OF RATINGS. CONCURRENCE OF AUTHORITIES HAVING JURISDICTION IS REQUIRED.

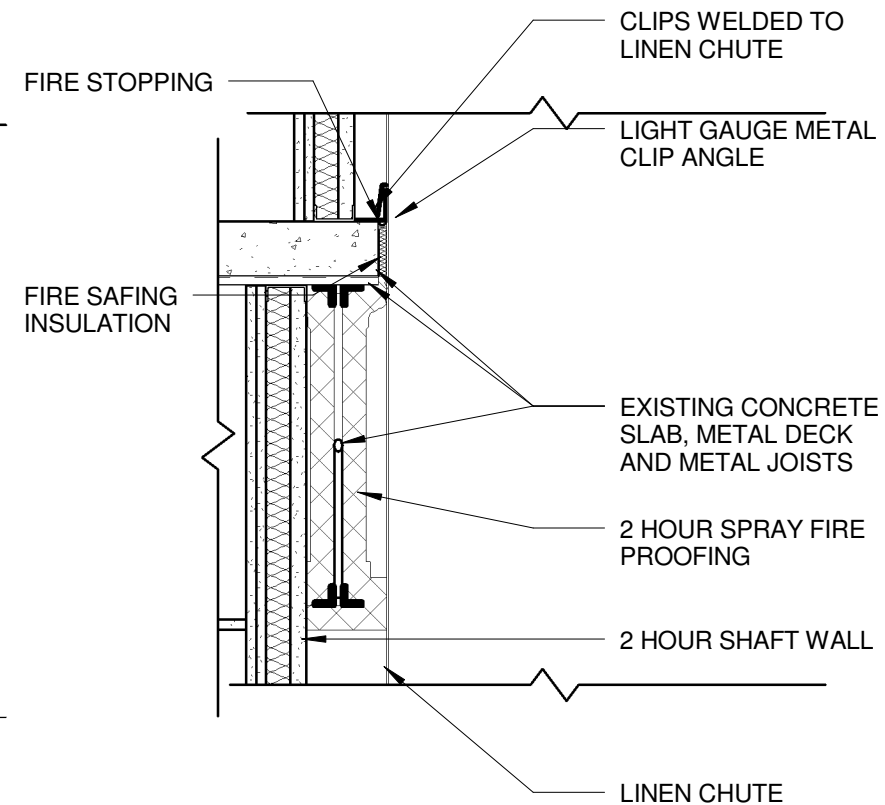
REFER TO SHOP DRAWINGS BY US CHUTES FOR REMAINDER OF INFORMATION



A1 LINEN CHUTE DOOR DTL.
1" = 1'-0"



A2 DETAIL
1" = 1'-0"



A3 DETAIL
1" = 1'-0"

Project:
EMBASSY SUITES
1050 Westbrook Street
Portland, Maine, 04102

Project Owner:
KTB Hospitality, LLC
1050 Westbrook St.
Portland, Maine 04102

Architect:
BMA
Architectural Group
Professional Corporation
Architects ■ Designers ■ Planners
12 Middle Street
Amherst, New Hampshire 03031
TEL 603 673 1991 FAX 603 672 1385
www.bmaworld.com

BMA COPYRIGHT:
These plans are copyrighted and are subject to copyright protection as an "architectural work" under Sec. 102 of the Copyright Act, 17 U.S.O. as amended December 1990 and known as Architectural Works Copyright Protection Act of 1990. The protection includes but is not limited to the overall form as well as the arrangement and composition of spaces and elements of the design. Under such protection, unauthorized use of these plans, work or home represented, can legally result in the cessation of construction or buildings being seized and/or monetary compensation to BMA Architectural Group, P.C.

SEAL

NOT APPROVED FOR CONSTRUCTION
Job Number: 2910
Drawn By: MSP
Checked By: RKB
Phase: PROGRESS

Drawing Title:
LINEN CHUTE DETAILS

SHEET NUMBER:
A-101
DATE: 08 January 2013