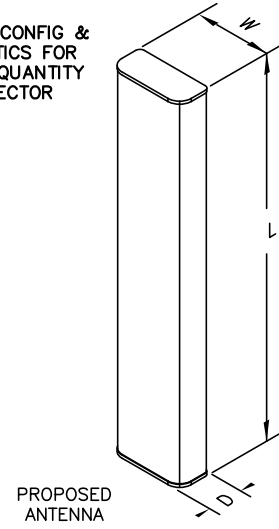


NOTES:

1. REFER TO RF CONFIG & SECTOR SCHEMATICS FOR MODEL, TYPE & QUANTITY REQUIRED PER SECTOR



PROPOSED ANTENNA

TECHNOLOGY	POSITION	ANTENNA MODEL	L	W	D
UMTS/GSM	1	7770	55.0"	11.0"	5.0"
LTE 2C	2	HPA-65R-BUU-H8	92.4"	14.8"	7.4"
LTE (ALPHA & BETA)	3	P54-17-XLH-RR	55.2"	11.8"	6.0"
LTE (GAMMA)	3	AM-X-CD-16-65-00T-RET	72.0"	11.8"	5.9"
UMTS/GSM	4	7770	55.0"	11.0"	5.0"

NOTE:

SEE RFDS FOR RRH FREQUENCY AND MODEL NUMBER

PROPOSED RRH REFER TO THE FINAL RFDS AND CHART FOR QUANTITY, MODEL AND DIMENSIONS

	L	W	D
RRUS - 11	19.7"	17.0"	7.2"
LTE - A2	16.4"	15.2"	3.4"

PROPOSED A2 REFER TO THE FINAL RFDS AND CHART FOR QUANTITY, MODEL AND DIMENSIONS

NOTE: MOUNT PER MANUFACTURER'S SPECIFICATIONS.

RRH DETAIL

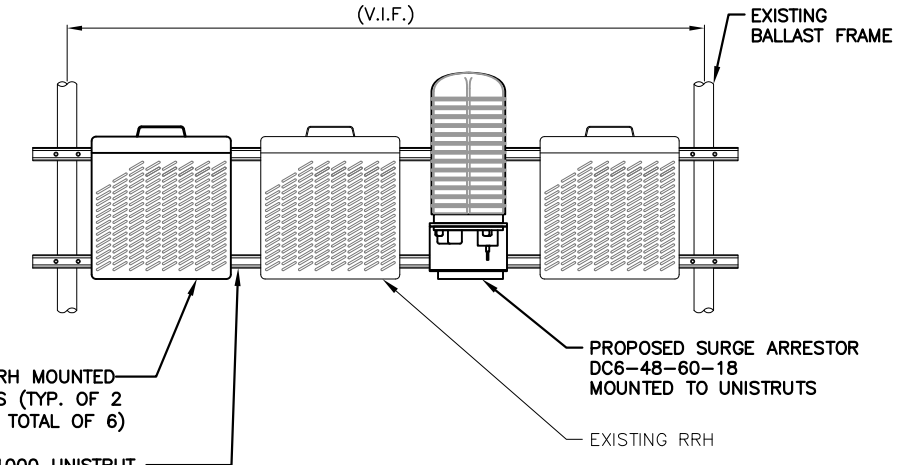
SCALE: N.T.S.

NOTE:

REFER TO STRUCTURAL ANALYSIS BY: HUDSON DESIGN GROUP, LLC DATED: APRIL 8, 2015 FOR THE CAPACITY OF THE EXISTING STRUCTURES TO SUPPORT THE PROPOSED EQUIPMENT.

NOTE:

REFER TO THE FINAL RF DATA SHEET FOR FINAL ANTENNA CONFIGURATION.



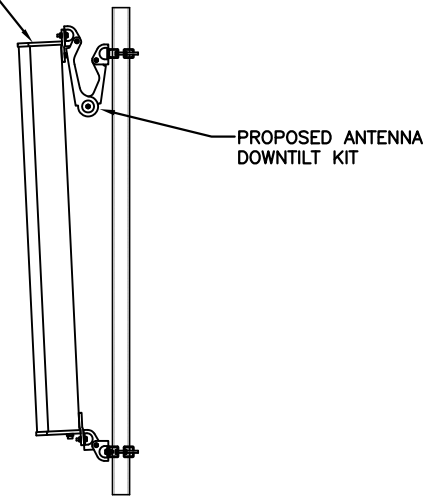
PROPOSED RRH & SURGE ARRESTOR MOUNTING DETAIL

SCALE: N.T.S.

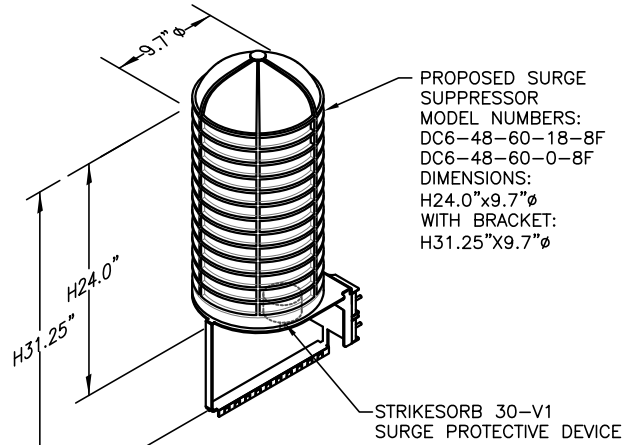
ANTENNA DETAIL

SCALE: N.T.S.

PROPOSED LTE ANTENNA (TYP. OF 1 PER SECTOR, TOTAL OF 3)



PROPOSED ANTENNA DOWNTILT KIT



PROPOSED SURGE SUPPRESSOR MODEL NUMBERS: DC6-48-60-18-8F DC6-48-60-0-8F DIMENSIONS: H24.0"x9.7"φ WITH BRACKET: H31.25"x9.7"φ

STRIKESORB 30-V1 SURGE PROTECTIVE DEVICE

NOTE: MOUNT PER MANUFACTURER'S SPECIFICATIONS.

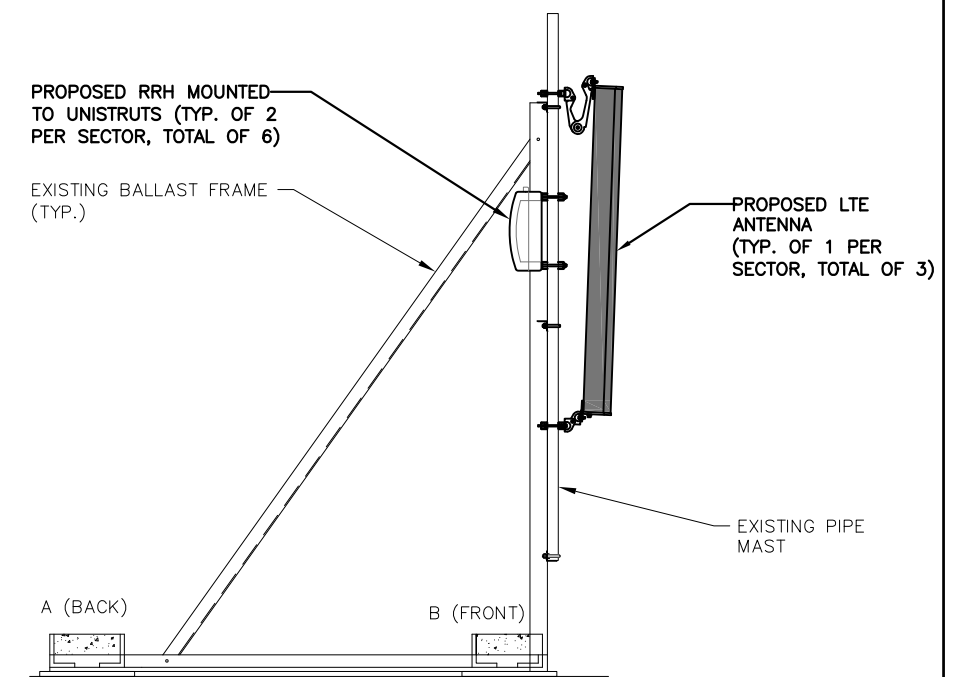
ALPHA & BETA MINIMUM BALLAST REQUIREMENTS		
SIDE	A (BACK)	B (FRONT)
BALLAST REQUIRED	848 lbs.	273 lbs.
TOTAL BALLAST WEIGHT	1121 lbs.	

GAMMA MINIMUM BALLAST REQUIREMENTS		
SIDE	A (BACK)	B (FRONT)
BALLAST REQUIRED	781 lbs.	227 lbs.
TOTAL BALLAST WEIGHT	1008 lbs.	

PROPOSED RRH MOUNTED TO UNISTRUTS (TYP. OF 2 PER SECTOR, TOTAL OF 6)

EXISTING BALLAST FRAME (TYP.)

PROPOSED LTE ANTENNA (TYP. OF 1 PER SECTOR, TOTAL OF 3)



PROPOSED ANTENNA & RRH MOUNTING DETAIL ON BALLAST FRAME

SCALE: N.T.S.

PROPOSED LTE ANTENNA DETAIL

SCALE: N.T.S.

SURGE ARRESTOR DETAIL

SCALE: N.T.S.



1600 OSGOOD STREET
BUILDING 20 NORTH, SUITE 3090
N. ANDOVER, MA 01845
TEL: (978) 557-5553
FAX: (978) 336-5586



27 NORTHWESTERN DR.
SALEM, NH 03079

SITE NUMBER: ME5023
SITE NAME: BRADLEY'S CORNER

1050 WESTBROOK ST.
PORTLAND, ME 04102
CUMBERLAND COUNTY



550 COCHITUATE ROAD
FRAMINGHAM, MA 01701

1		04/09/15	ISSUED FOR CONSTRUCTION	AT	DPH	AT&T	AT&T DETAILS (LTE-3C)
A		03/27/15	ISSUED FOR REVIEW	MR	AT	DPH	
NO.	DATE	REVISIONS		BY	CHK	APP	
SCALE:		AS SHOWN		DESIGNED BY:	AT	DRAWN BY:	MR
JOB NUMBER		5023.01		DRAWING NUMBER		A-4	
REV		1					