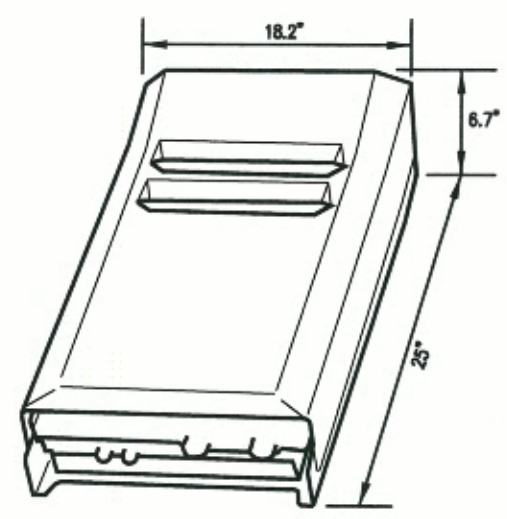
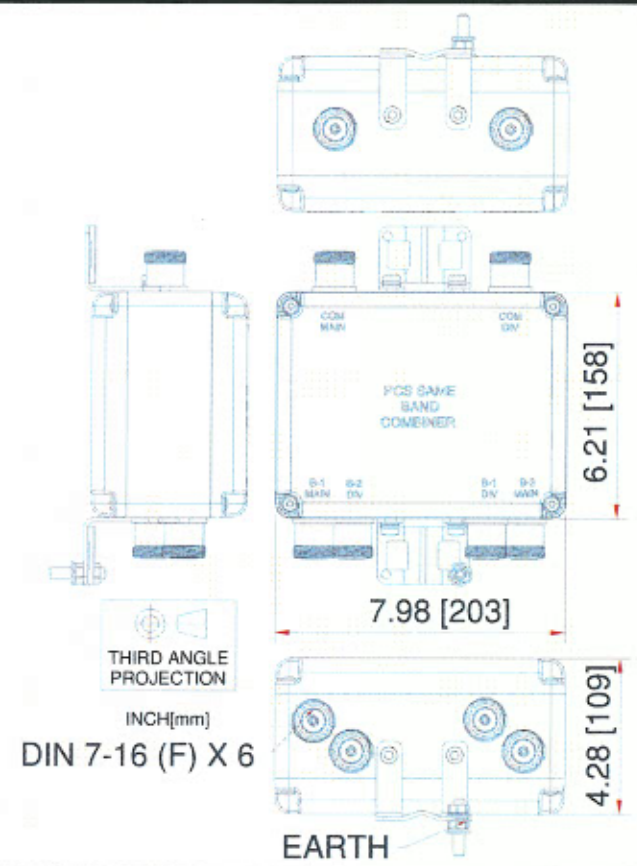


TYPICAL CAC-A32214090 DETAIL
SCALE: N.T.S.



TYPICAL RRUS DETAIL
SCALE: N.T.S.



TYPICAL DBC0081F1VX-1COMBINDER DETAIL
SCALE: N.T.S.

PLANS PREPARED FOR:

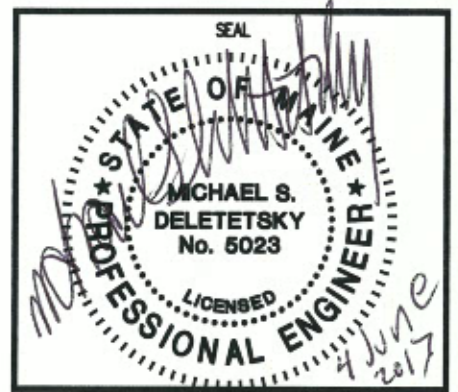
 10 Corporate Drive, Suite 210, Bedford, NH 03110

PROJECT INFORMATION
853326 - PORTLAND JETPORT
 1050 WESTBROOK STREET
 PORTLAND, ME NE 04102
 (CUMBERLAND COUNTY)

PLANS PREPARED BY:

 511 Congress Street Suite 200, Portland ME 04101
 P: (207) 775-5401 F: (207) 772-4782 www.amec.com

PROJECT COORDINATION & MANAGEMENT:
KJK Wireless, LLC
 127 Ridge Road, Nashua, NH 03062
 Phone: (603) 888-8974



REV	DATE	ISSUED FOR
1	6/4/13	ISSUED FOR CONSTRUCTION

PROJECT NO: 3618138235

DRAWN BY: CBM

RELEASED BY: MSD

SHEET TITLE
PROPOSED EQUIPMENT DETAILS

SHEET NUMBER	REVISION:
C-2	0