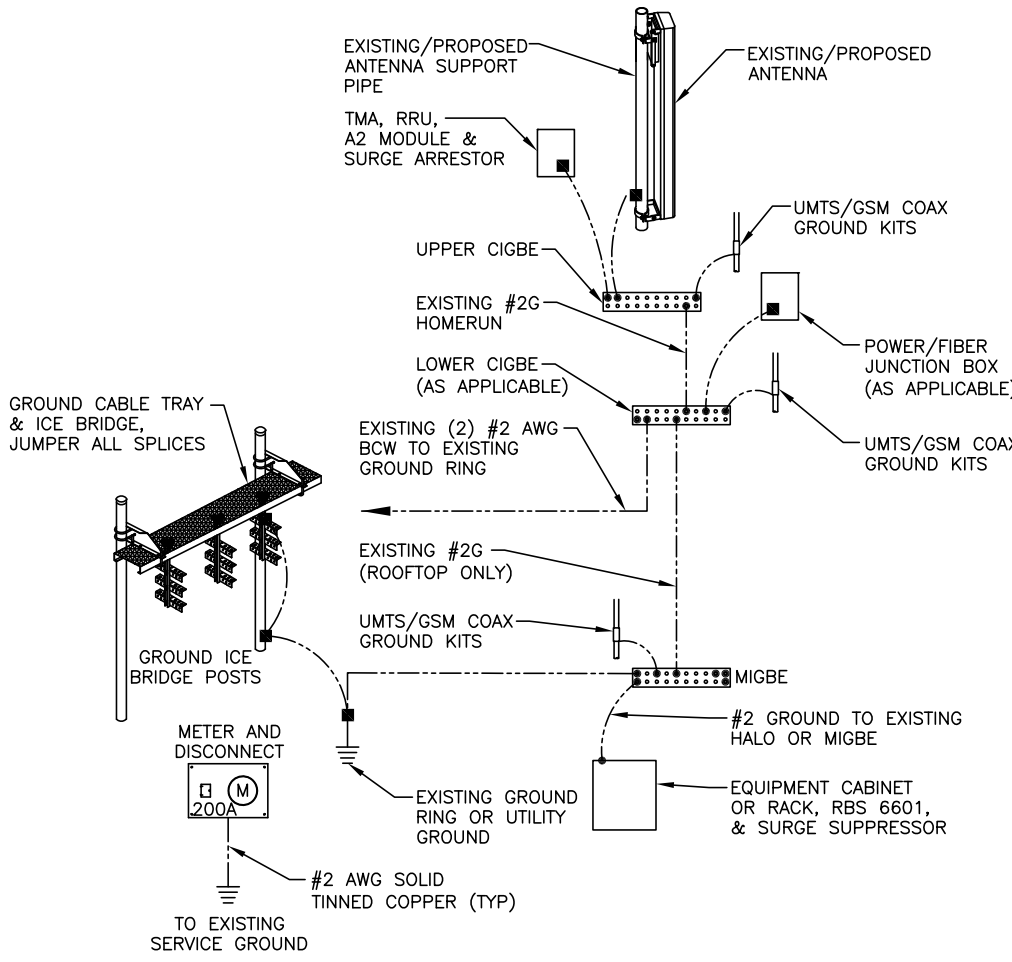


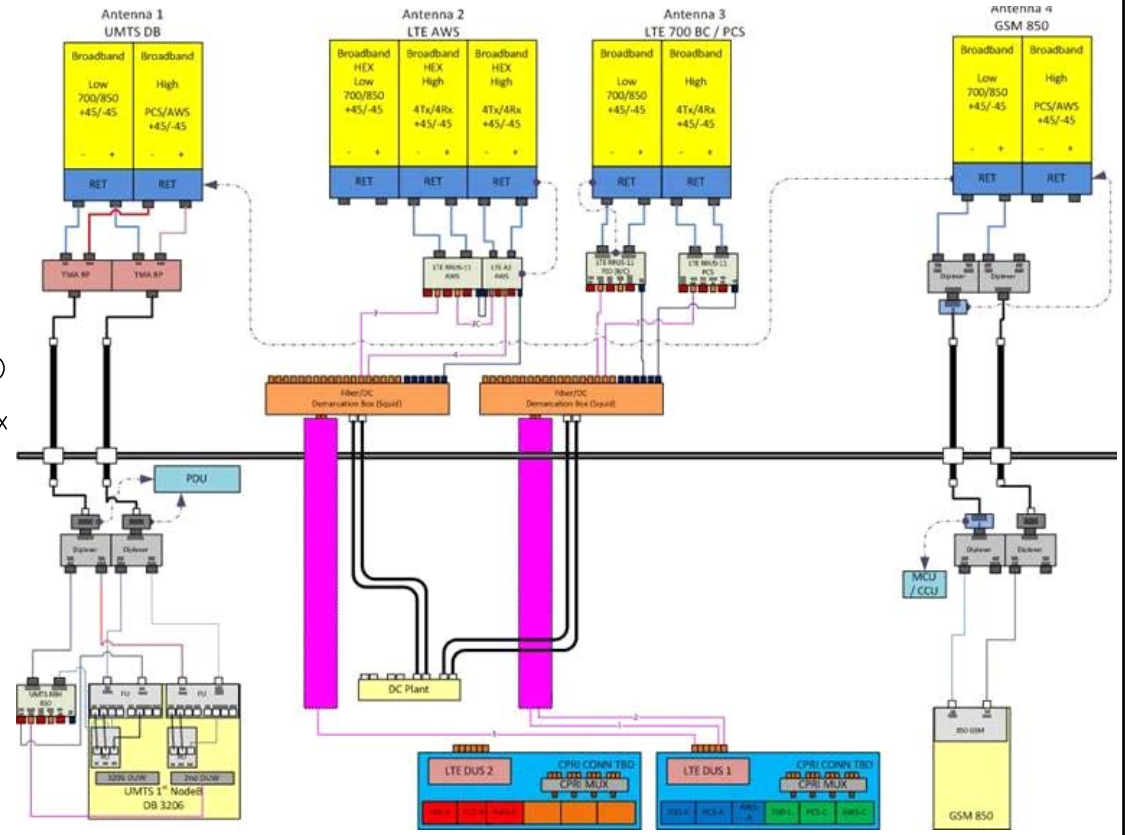
GROUND WIRE TO GROUND BAR CONNECTION DETAIL

1
—
N.T.S.



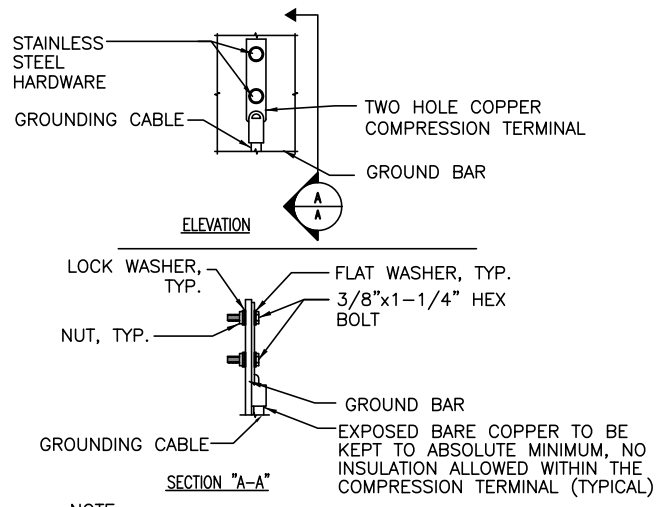
GROUNDING RISER DIAGRAM

2
—
N.T.S.



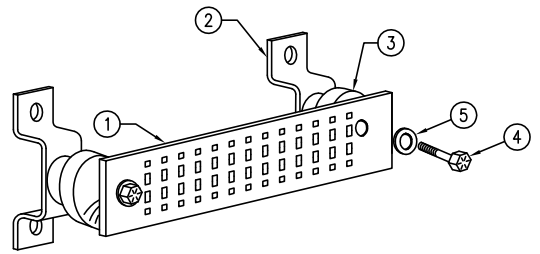
PLUMBING DIAGRAM

3
—
N.T.S.



TYPICAL GROUND BAR CONNECTION DETAIL

4
—
N.T.S.



GROUND BAR - DETAIL

5
—
N.T.S.

EACH GROUND CONDUCTOR TERMINATING ON ANY GROUND BAR SHALL HAVE AN IDENTIFICATION TAG ATTACHED AT EACH END THAT WILL IDENTIFY ITS ORIGIN AND DESTINATION.

SECTION "P" - SURGE PRODUCERS

- CABLE ENTRY PORTS (HATCH PLATES) (#2)
- GENERATOR FRAMEWORK (IF AVAILABLE) (#2)
- TELCO GROUND BAR
- COMMERCIAL POWER COMMON NEUTRAL/GROUND BOND (#2)
- +24V POWER SUPPLY RETURN BAR (#2)
- 48V POWER SUPPLY RETURN BAR (#2)
- RECTIFIER FRAMES.

SECTION "A" - SURGE ABSORBERS

- INTERIOR GROUND RING (#2)
- EXTERNAL EARTH GROUND FIELD (BURIED GROUND RING) (#2)
- METALLIC COLD WATER PIPE (IF AVAILABLE) (#2)
- BUILDING STEEL (IF AVAILABLE) (#2)

Hudson Design Group LLC
1600 OSGOOD STREET
BUILDING 20 NORTH, SUITE 3090
N. ANDOVER, MA 01845
TEL: (978) 557-5553
FAX: (978) 336-5586

SAI
27 NORTHWESTERN DR.
SALEM, NH 03079

SITE NUMBER: ME5023
SITE NAME: BRADLEY'S CORNER
1050 WESTBROOK ST.
PORTLAND, ME 04102
CUMBERLAND COUNTY

at&t
550 COCHITUATE ROAD
FRAMINGHAM, MA 01701

AT&T
PLUMBING DIAGRAM & DETAILS (LTE-3C)
JOB NUMBER: 5023.01
DRAWING NUMBER: G-1
REV: 1

NO.	DATE	REVISIONS	BY	CHK	APP'D
1	04/09/15	ISSUED FOR CONSTRUCTION	MR. AT	DPH	
A	03/27/15	ISSUED FOR REVIEW	MR. AT	DPH	

SCALE: AS SHOWN
DESIGNED BY: AT
DRAWN BY: MR