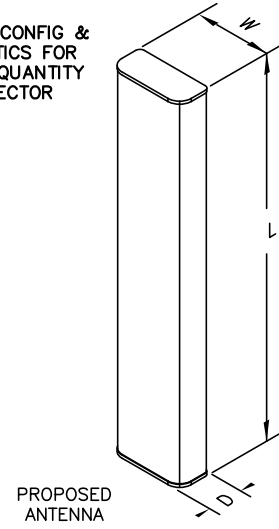


**NOTES:**

1. REFER TO RF CONFIG & SECTOR SCHEMATICS FOR MODEL, TYPE & QUANTITY REQUIRED PER SECTOR



PROPOSED ANTENNA

TECHNOLOGY	POSITION	ANTENNA MODEL	L	W	D
UMTS/GSM	1	7770	55.0"	11.0"	5.0"
LTE 2C	2	HPA-65R-BUU-H8	92.4"	14.8"	7.4"
LTE (ALPHA & BETA)	3	P54-17-XLH-RR	55.2"	11.8"	6.0"
LTE (GAMMA)	3	AM-X-CD-16-65-00T-RET	72.0"	11.8"	5.9"
UMTS/GSM	4	7770	55.0"	11.0"	5.0"

**NOTE:**

SEE RFDS FOR RRH FREQUENCY AND MODEL NUMBER

PROPOSED RRH REFER TO THE FINAL RFDS AND CHART FOR QUANTITY, MODEL AND DIMENSIONS

	L	W	D
RRUS - 11	19.7"	17.0"	7.2"
LTE - A2	16.4"	15.2"	3.4"

PROPOSED A2 REFER TO THE FINAL RFDS AND CHART FOR QUANTITY, MODEL AND DIMENSIONS

NOTE: MOUNT PER MANUFACTURER'S SPECIFICATIONS.

**RRH DETAIL**

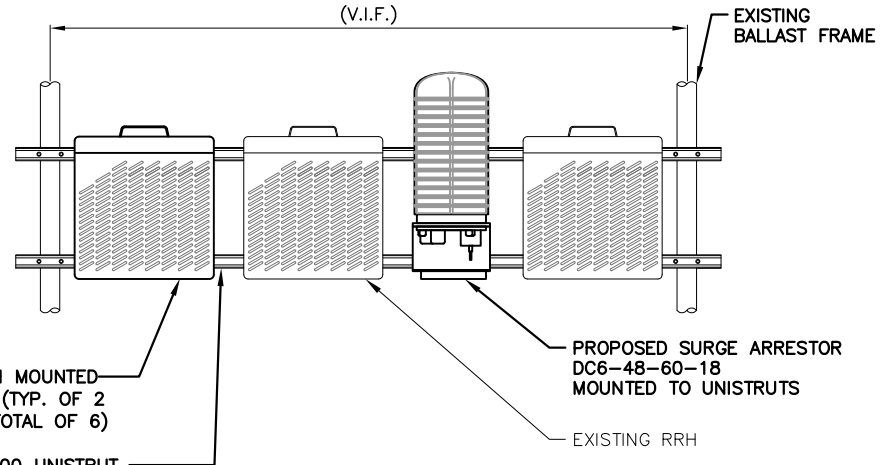
SCALE: N.T.S.

**NOTE:**

REFER TO STRUCTURAL ANALYSIS BY: HUDSON DESIGN GROUP, LLC DATED: APRIL 8, 2015 FOR THE CAPACITY OF THE EXISTING STRUCTURES TO SUPPORT THE PROPOSED EQUIPMENT.

**NOTE:**

REFER TO THE FINAL RF DATA SHEET FOR FINAL ANTENNA CONFIGURATION.



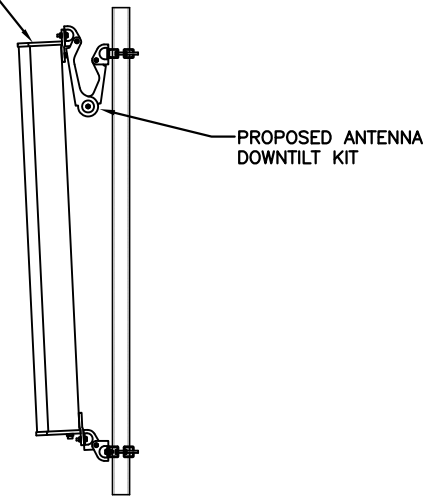
**PROPOSED RRH & SURGE ARRESTOR MOUNTING DETAIL**

SCALE: N.T.S.

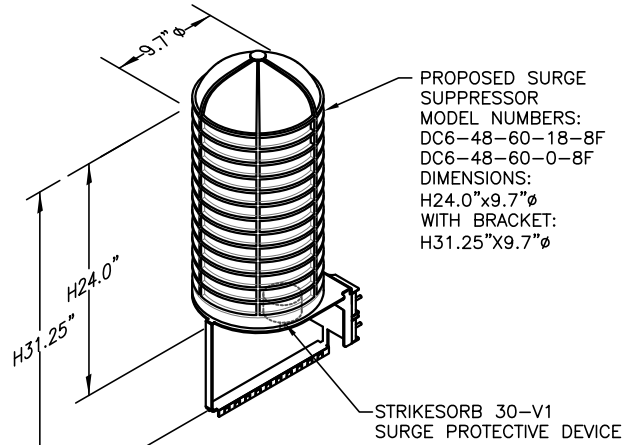
**ANTENNA DETAIL**

SCALE: N.T.S.

PROPOSED LTE ANTENNA (TYP. OF 1 PER SECTOR, TOTAL OF 3)



PROPOSED ANTENNA DOWNTILT KIT



NOTE: MOUNT PER MANUFACTURER'S SPECIFICATIONS.

**ALPHA & BETA MINIMUM BALLAST REQUIREMENTS**

SIDE	A (BACK)	B (FRONT)
BALLAST REQUIRED	848 lbs.	273 lbs.
TOTAL BALLAST WEIGHT	1121 lbs.	

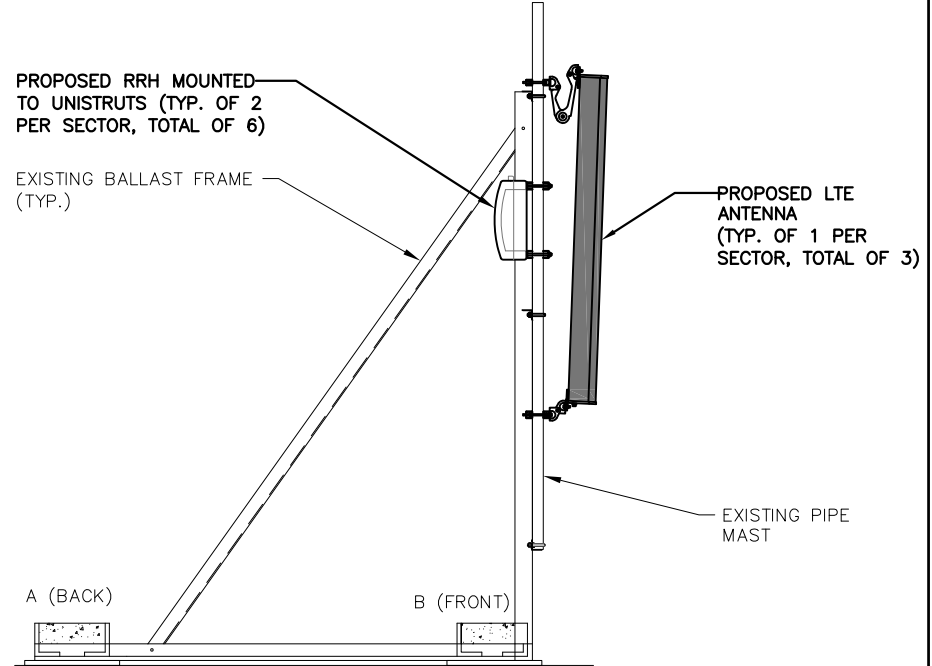
**GAMMA MINIMUM BALLAST REQUIREMENTS**

SIDE	A (BACK)	B (FRONT)
BALLAST REQUIRED	781 lbs.	227 lbs.
TOTAL BALLAST WEIGHT	1008 lbs.	

PROPOSED RRH MOUNTED TO UNISTRUTS (TYP. OF 2 PER SECTOR, TOTAL OF 6)

EXISTING BALLAST FRAME (TYP.)

PROPOSED LTE ANTENNA (TYP. OF 1 PER SECTOR, TOTAL OF 3)



**PROPOSED LTE ANTENNA DETAIL**

SCALE: N.T.S.

**SURGE ARRESTOR DETAIL**

SCALE: N.T.S.

**PROPOSED ANTENNA & RRH MOUNTING DETAIL ON BALLAST FRAME**

SCALE: N.T.S.

**Hudson Design Group, LLC**  
 1600 OSGOOD STREET  
 BUILDING 20 NORTH, SUITE 3090  
 N. ANDOVER, MA 01845  
 TEL: (978) 557-5553  
 FAX: (978) 336-5586

**SAI**

27 NORTHWESTERN DR.  
 SALEM, NH 03079

SITE NUMBER: ME5023  
 SITE NAME: BRADLEY'S CORNER

1050 WESTBROOK ST.  
 PORTLAND, ME 04102  
 CUMBERLAND COUNTY

**at&t**  
 550 COCHITUATE ROAD  
 FRAMINGHAM, MA 01701

1 04/09/15 ISSUED FOR CONSTRUCTION		BY: AT		CHK: MR		APP: PH		AT&T	
A 03/27/15 ISSUED FOR REVIEW		BY: AT		CHK: MR		APP: PH		DETAILS (LTE-3C)	
NO.	DATE	REVISIONS	BY	CHK	APP	JOB NUMBER	DRAWING NUMBER	REV	
						5023.01	A-4	1	