

U.S. Cellular

The way people talk around here.™

SITE NAME: EMBASSY SUITES
SITE NO. 853326

SECTOR: 1 (ALPHA)

SECTOR: 2 (BETA)

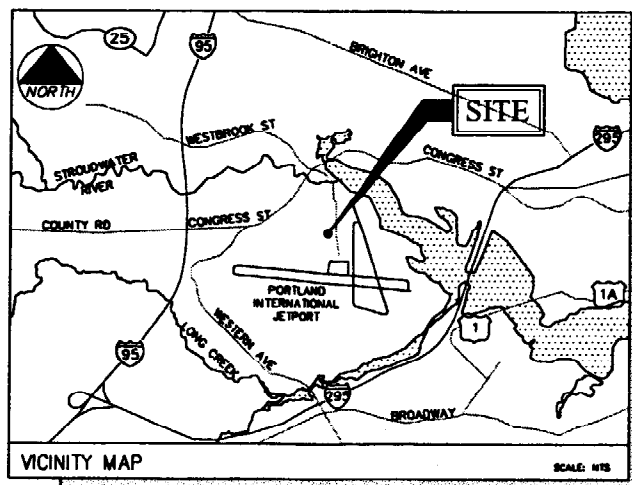
SECTOR: 3 (GAMMA)

LATITUDE: 43° 39' 04.78" (N)
LONGITUDE: 70° 18' 37.12" (W)

43° 39' 02.77" (N)
70° 18' 37.70" (W)

43° 39' 04.34" (N)
70° 18' 37.31" (W)

SITE NUMBER:	853326
SITE NAME:	EMBASSY SUITES
TOWER TYPE:	ROOFTOP ANTENNA FRAME
SITE ADDRESS:	1050 WESTBROOK ST PORTLAND, ME 04102
PROPERTY OWNER:	P.J.H. ASSOCIATES LLC 1050 WESTBROOK ST PORTLAND, ME 04102
MAP & LOT:	210A/A-5
APPLICANT:	U.S. CELLULAR c/o LLC 482 CONGRESS STREET, SUITE 502 PORTLAND, MAINE 04101
PROJECT SUMMARY	



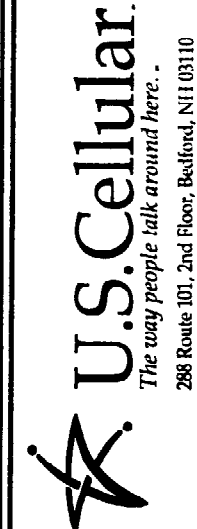
DIRECTIONS
FROM PORTLAND INTERNATIONAL JETPORT: FROM AIRPORT LEAVING TERMINAL, TAKE EXIT FOR AIRPORT. GO STRAIGHT FOR 1/10 MILE. EMBASSY SUITES ON THE LEFT.

SHEET NO.	DESCRIPTION	DATE	REV. NO.
T-1	TITLE SHEET	09/15/03	0
C-1	PLOT PLAN	09/15/03	0
C-2	SITE PLAN	09/15/03	0
E-1	ELECTRICAL DETAILS	09/15/03	0
S-1	STRUCTURAL DETAILS	09/15/03	0
G-1	GENERAL NOTES	09/15/03	0
SHEET INDEX			

BUILDING REQUIREMENTS:
BUILDING IS UNMANNED AND NOT FOR HUMAN HABITATION. HANDICAPPED ACCESS REQUIREMENTS NOT REQUIRED.

PLUMBING REQUIREMENTS:
FACILITY HAS NO PLUMBING.

STATE OF MAINE
MICHAEL S. DELETETSKY
No. 5023
9 OCT 03



RF. _____
SWZN _____
CONST. _____
USCC _____
PM. _____

CEST Associates, Inc.
343 Eastern Road - South Portland, ME 04106
Tel: (207) 761-1770
Fax: (207) 774-1246
CEST PROJ. NO.: 390.30.01

SITE NAME: EMBASSY SUITES
SITE NUMBER: 853326
ADDRESS: 1050 WESTBROOK ST
DRAWING TITLE: TITLE SHEET

REVISIONS		
NO.	DESCRIPTION	DATE

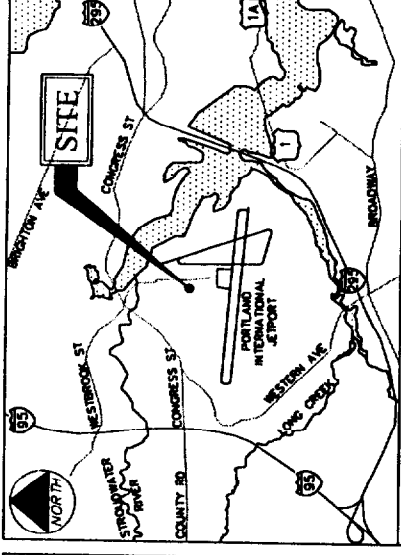
DESIGNED BY: JRW DATE: 09/15/03
DRAWN BY: BJB SCALE: AS NOTED
CHECKED BY: MSD PROJECT NO.: 390.30.01
DRAWING NO.:



CEST Associates, Inc.
145 Central Road, Suite 100, Portland, ME 04102
TEL: (207) 761-1720
FAX: (207) 774-1248
CEST PROJ. NO: 390.30.01

DATE	
NO. DESCRIPTION	
REVISIONS	
DATE	

DATE	09/15/03
BY	JRW
DATE	
BY	
DATE	
BY	
DATE	
BY	
DATE	
BY	



VICINITY MAP
SCALE: 1/8" = 100'

GENERAL NOTES

- DATES OF FIELD SURVEY: SEPTEMBER, 2003
- SITE NAME: EMBASSY SUITES
- SITE NUMBER: 853326
- SITE ADDRESS: 1050 WESTBROOK ST, PORTLAND, ME 04102, CUMBERLAND COUNTY
- OWNER: P.J.H ASSOCIATES LLC, 1050 WESTBROOK ST, PORTLAND, ME 04102, CUMBERLAND COUNTY
- APPLICANT: U.S. CELLULAR c/o LCC, 482 CONGRESS STREET, SUITE 502, PORTLAND, MAINE 04101
- JURISDICTION: PORTLAND, MAINE
- ZONING DISTRICT: AIRPORT BUSINESS (AB)
- TAX IDENTIFICATION: MAP 210A BLOCK A LOT 5
- DEED BOOK/PAGE: 12165/50
- VERTICAL DATUM: NATIONAL GEODETIC VERTICAL DATUM OF 1929. (MEAN SEA LEVEL).
- HORIZONTAL DATUM: NORTH AMERICAN DATUM OF 1983 (NAD83)
- CENTER OF PROPOSED SECTOR:
 - SECTOR 1 (ALPHA)
 - LATITUDE: 43° 39' 04.78" N (NAD 83)
 - LONGITUDE: 70° 18' 37.12" W (NAD 83)
 - RAD CENTER EL: 148.0'±
 - SECTOR 2 (BETA)
 - LATITUDE: 43° 39' 02.77" N (NAD 83)
 - LONGITUDE: 70° 18' 37.70" W (NAD 83)
 - RAD CENTER EL: 148.0'±
 - SECTOR 3 (GAMMA)
 - LATITUDE: 43° 39' 04.34" N (NAD 83)
 - LONGITUDE: 70° 18' 37.31" W (NAD 83)
 - RAD CENTER EL: 148.0'±
- BEARINGS ARE BASED ON MAINE STATE GRID COORDINATE SYSTEM, WEST ZONE. (NAD83).
- ALL UNDERGROUND UTILITY INFORMATION PRESENTED HEREON WAS DETERMINED FROM SURFACE EVIDENCE AND PLANS OF RECORD. ALL UNDERGROUND UTILITIES SHOULD BE LOCATED IN THE FIELD PRIOR TO COMMENCEMENT OF ALL SITE WORK. CALL DISSAFE (1888) 344-7233 A MINIMUM OF 72 HOURS PRIOR TO PLANNED ACTIVITY.
- PROPERTY IS LOCATED IN FLOOD ZONE "C" AS SHOWN ON FLOOD INSURANCE RATE MAP IN THE CITY OF PORTLAND, MAINE, CUMBERLAND COUNTY PANEL 12 OF 17, COMMUNITY PANEL NUMBER 230051-00128 EFFECTIVE DATE JULY 17, 1988. ZONE C IS DEFINED AS AN AREA OF MINIMAL FLOODING.

FAA CERTIFICATION - 1A

I HEREBY CERTIFY THAT THE LATITUDE, LONGITUDE, AND ELEVATIONS PRESENTED HEREON MEETS THE REQUIREMENTS OF THE FAA WITH THE FOLLOWING ACCURACIES:
 +/- THREE (3) FEET VERTICALLY
 +/- FIFTEEN (15) FEET HORIZONTALLY
 JEROME B. WATTS
 LICENSED LAND SURVEYOR #1245
 10/9/03
 DWE

THIS DRAWING WAS CREATED FOR A FULL SIZE OF 22"x34". IT HAS BEEN REDUCED 50% FOR SUBMISSION PURPOSES. EQUIPMENT INSTALLATION SHALL MEET ALL LOCAL, STATE AND FEDERAL REQUIREMENTS FOR EQUIPMENT EMISSIONS.

LIST OF ABUTTERS

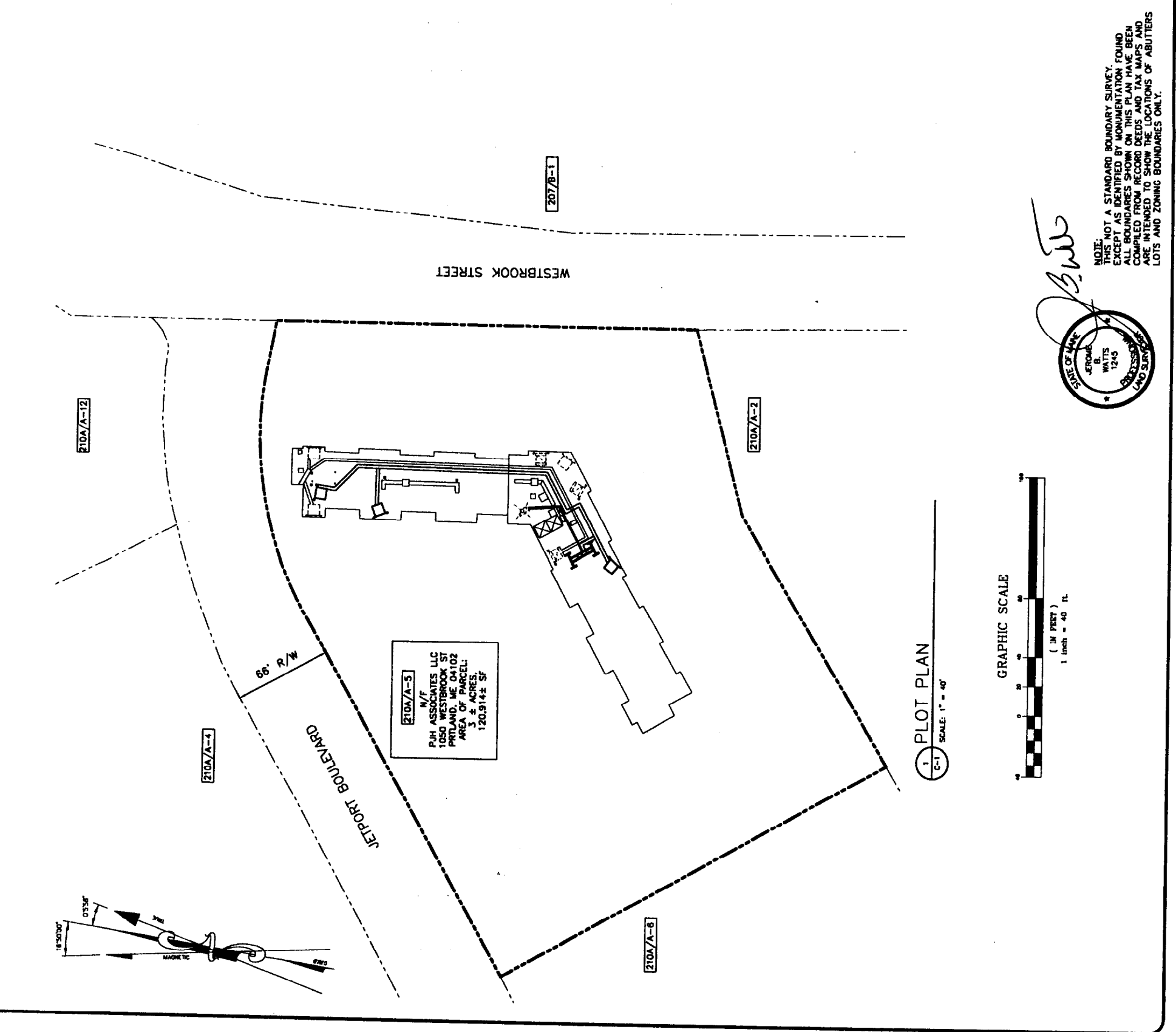
MAP/LOT	RECORD OWNER	ADDRESS
207/B-1	NORTHEAST AIR	987 WESTBROOK ST, PORTLAND, ME 04102
210A/A-2	TOYE AIRPORT PARK LLC	PO BOX 248, CAPE ELIZABETH, ME 04107
210A/A-12	TOYE REALTY HOLDINGS	PO BOX 248, CAPE ELIZABETH, ME 04107
210A/A-4		
210A/A-6		

ZONING INFORMATION

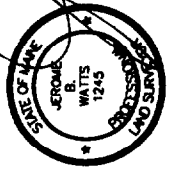
ZONING DISTRICT:	AIRPORT BUSINESS (AB)
MINIMUM STREET FRONTAGE:	50 FEET
FRONT YARD SETBACK:	20 FEET
REAR YARD SETBACK:	20 FEET
MINIMUM LOT SIZE:	20,000 SF

LEGEND

○	PROPERTY LINE
●	IRON PIPE FOUND (AS NOTED)
○	5/8 REBAR SET
○	UTILITY POLE
○	GRANITE MONUMENT FOUND
○	ZONING BOUNDARY LINE



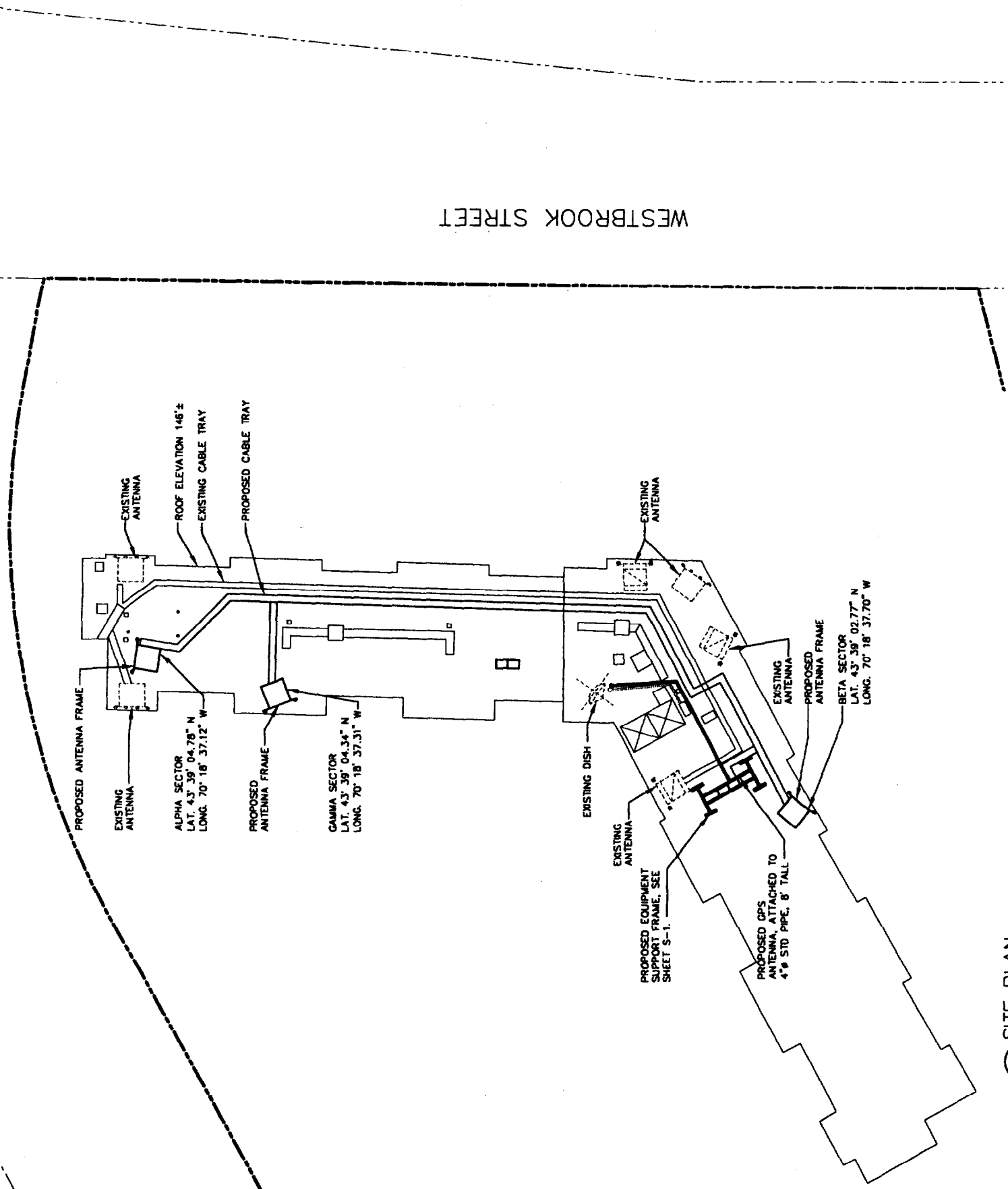
NOTE: THIS IS NOT A STANDARD BOUNDARY SURVEY. EXCEPT AS IDENTIFIED BY MONUMENTATION FOUND ON THIS PLAN, ALL MONUMENTS FOUND ON THIS PLAN HAVE BEEN COMPARED TO RECORD DEEDS AND TAX MAPS AND ARE INTENDED TO SHOW THE LOCATIONS OF ABUTTERS LOTS AND ZONING BOUNDARIES ONLY.



LEGEND

---	PROPERTY LINE
- - - -	ADJUTING PROPERTY LINE
○	IRON PIN FOUND (AS NOTED)
○	UTILITY POLE
---	EXISTING CONTOUR
---	STONE WALL
---	EXISTING TREE LINE

Michael J. Lubby
90203
STATE OF MAINE
MICHAEL J. LUBBY
REGISTERED PROFESSIONAL ENGINEER
No. 5017

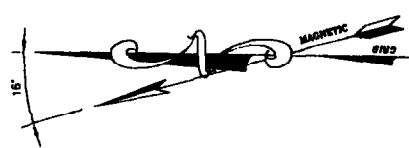
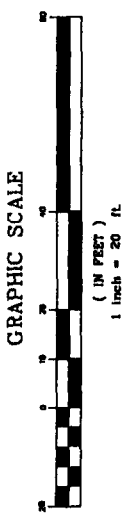


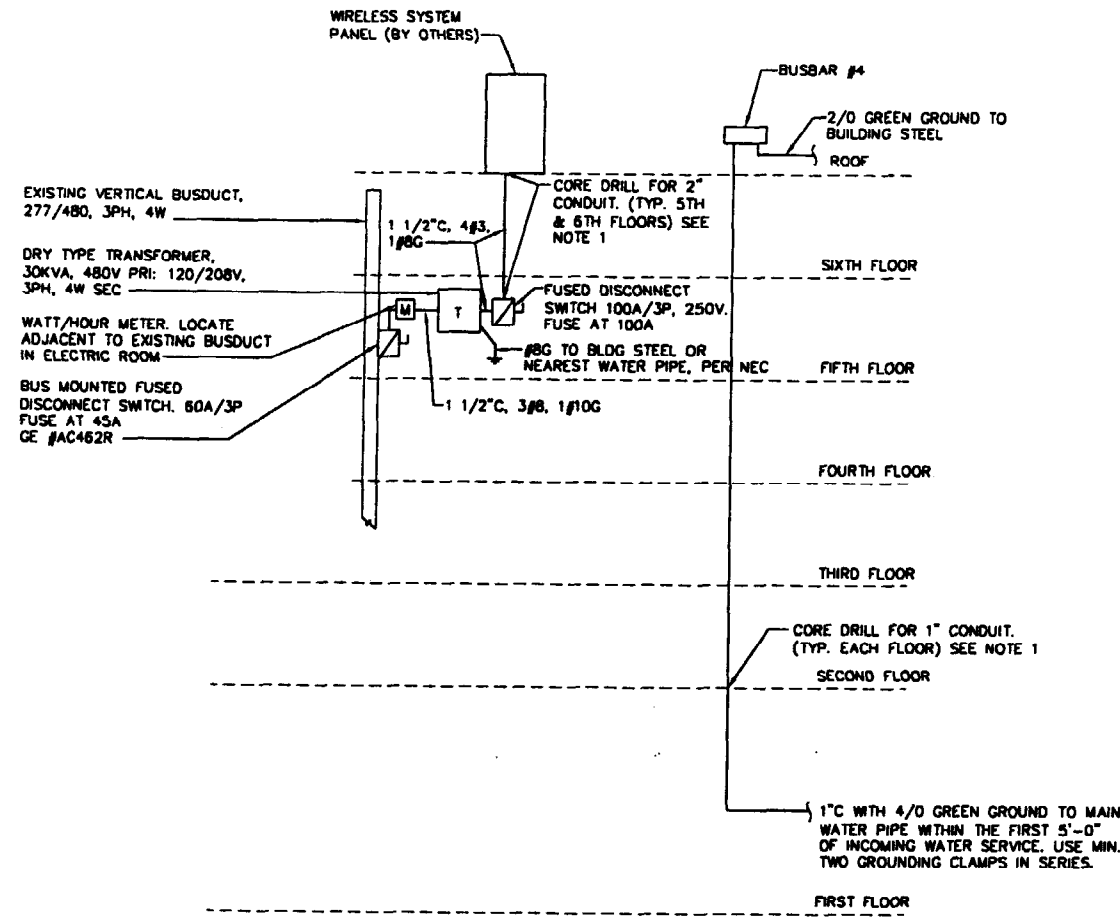
WESTBROOK STREET

ANTENNA SCHEDULE

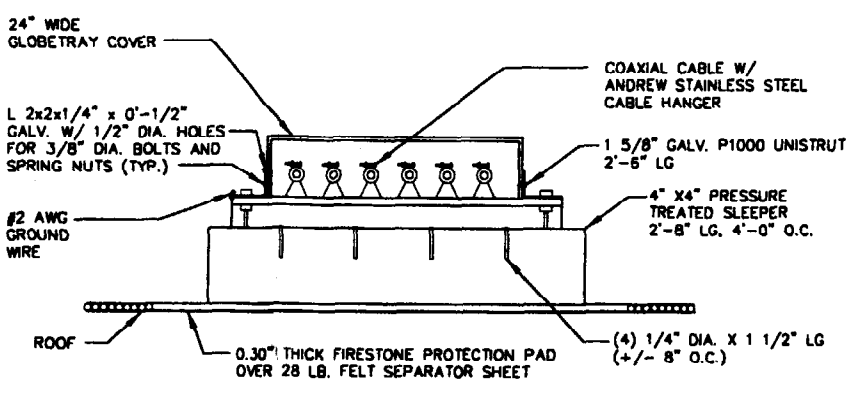
SECTOR	ANTENNA TYPE	AZIMUTH	DOWNTILT	CABLE LENGTH	RX/TX	COAX	COLOR CODE
ALPHA	FV65-17-02_P	0°	2°	250'	RX (A)	1-5/8"	(1) RED
BETA	FV65-17-02_P	120°	0°	35'	RX (B)	1-5/8"	(1) WHITE
GAMMA	FV65-17-02_P	240°	0°	225'	RX (G)	1-5/8"	(1) BLUE

1 SITE PLAN
SCALE: 1" = 20'



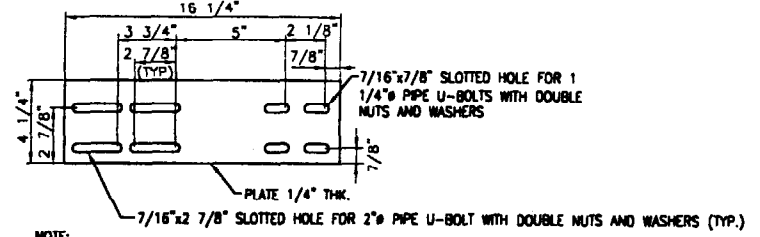


1 POWER RISER DIAGRAM
SCALE: N.T.S.



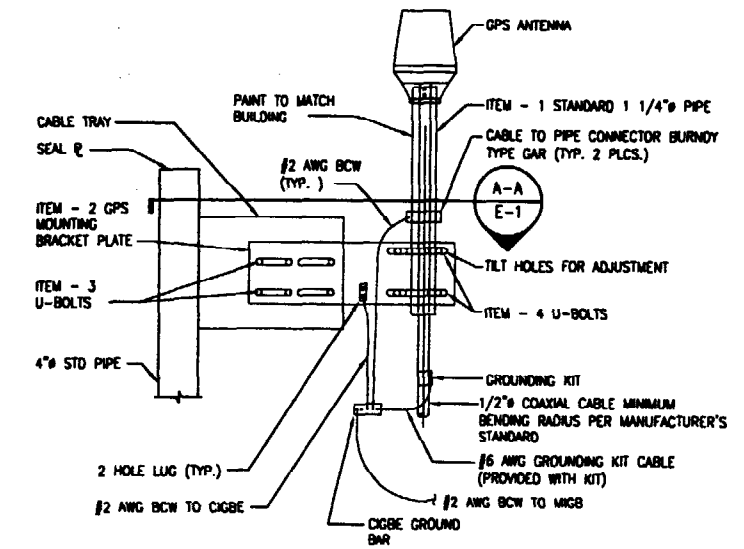
3 COAX CABLE TRAY ROOFTOP SLEEPER
SCALE: N.T.S.

BILL OF MATERIALS		
ITEM	DESCRIPTION	QUANTITY (EACH)
1	1 1/4" DIA. SCH. 40 x 48" LG. GALV. PIPE (A-53)	1
2	PLATE 1/4" x 4 1/4" x 18 1/4" LG. GALV. (A-36)	1
3	STANDARD U-BOLT FOR 2" DIA. PIPE W/ DOUBLE HEX NUTS AND WASHER GALV.	2
4	STANDARD U-BOLT FOR 2" DIA. PIPE W/ DOUBLE HEX NUTS AND WASHER, GALV. (SEE NOTE 2)	2
5	PLATE 3/8"x8"x12" LG. GALV. (A-36)	2



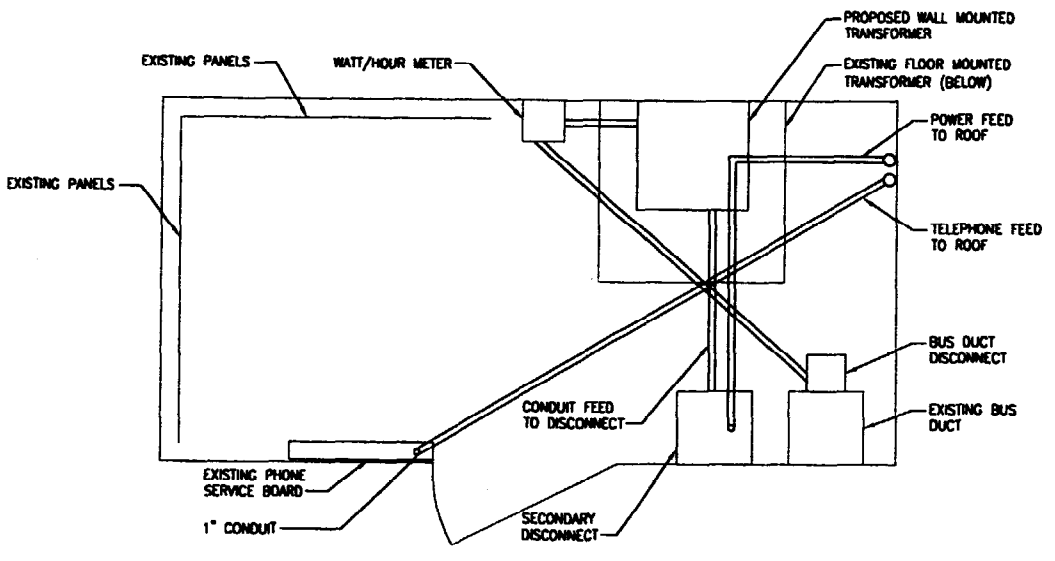
NOTE:
OVERSIZE U-BOLT PROVIDED TO ALLOW 2
± TLT/ADJUSTMENT TO ACHIEVE TOLERANCE.

4 GPS ANTENNA MOUNTING BRACKET PLATE - ITEM 2
SCALE: N.T.S.

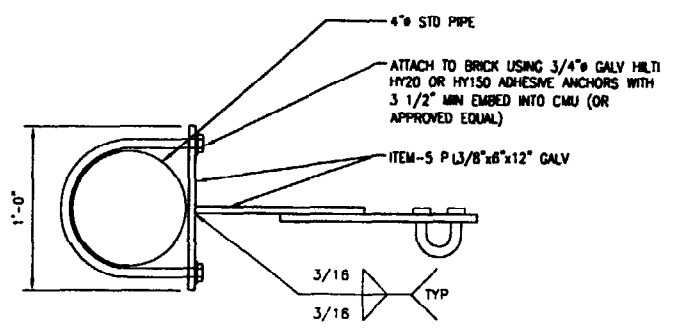


5 GPS ANTENNA MOUNTING BRACKET
SCALE: N.T.S.

NOTE:
1. THE GPS ANTENNA MOUNT IS DESIGNED TO FASTEN TO A STANDARD 1 1/4" DIAMETER, SCHEDULE 40, GALVANIZED STEEL OR STAINLESS STEEL PIPE. THE PIPE MUST NOT BE THREADED AT THE ANTENNA MOUNT END. THE PIPE SHALL BE CUT TO THE REQUIRED LENGTH (MINIMUM OF 18 INCHES) USING A HAND OR ROTARY PIPE CUTTER TO ASSURE A SMOOTH AND PERPENDICULAR CUT. A HACK SAW SHALL NOT BE USED. THE CUT PIPE END SHALL BE DEBURRED AND SMOOTH IN ORDER TO SEAL AGAINST THE NEOPRENE GASKET ATTACHED TO THE ANTENNA MOUNT.
2. THE MOUNTING PLATE SHALL BE FABRICATED AS SHOWN AND ATTACHED TO THE APPROPRIATE SUPPORT STRUCTURE USING U-BOLTS. THE SUPPORT PIPE SHALL THEN BE ATTACHED TO THE MOUNTING PLATE USING THE OVERSIZE U-BOLTS PROVIDED TO ALLOW ADJUSTMENT. IT IS CRITICAL THAT THE GPS ANTENNA IS MOUNTED SUCH THAT IT IS WITHIN 2 DEGREES OF VERTICAL AND THE BASE OF THE ANTENNA IS WITHIN 2 DEGREES OF LEVEL.



2 ELECTRIC & TELEPHONE ROOM
SCALE: N.T.S.



A-A SECTION
SCALE: N.T.S.

U.S. Cellular
The way people talk around here.
288 Route 101, 2nd Floor, Bedford, NH 03110

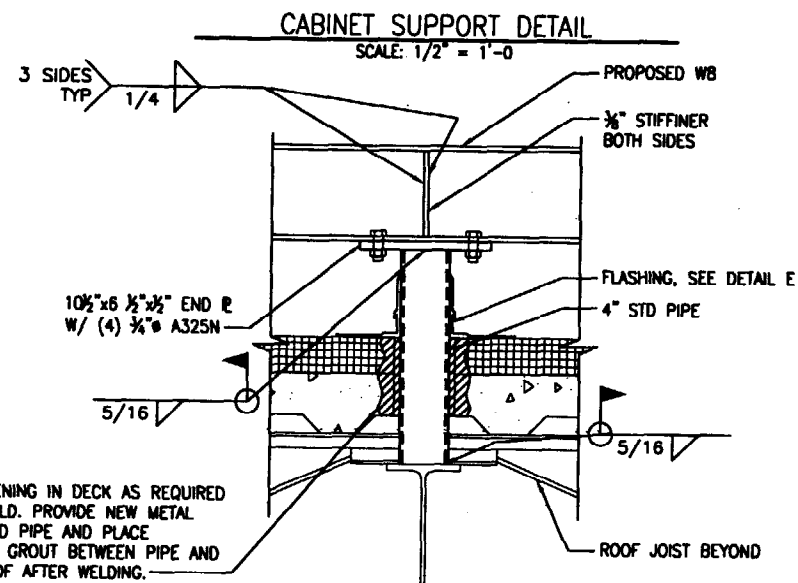
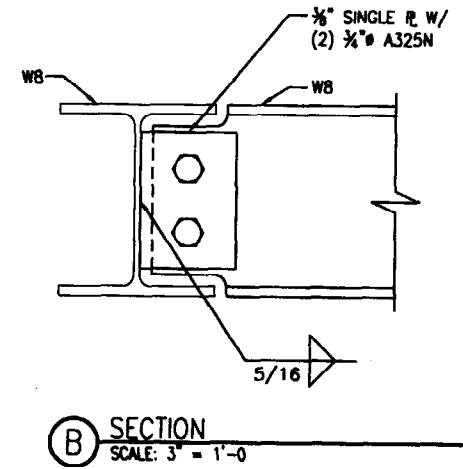
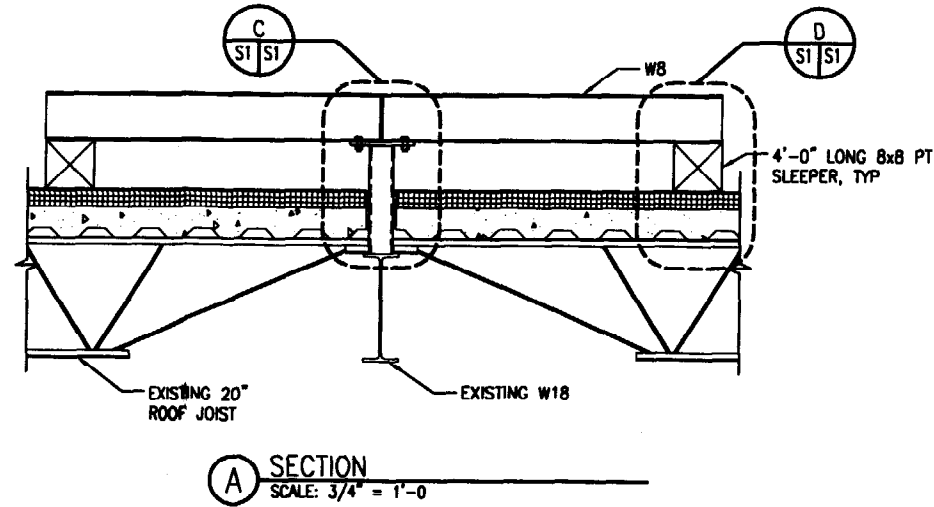
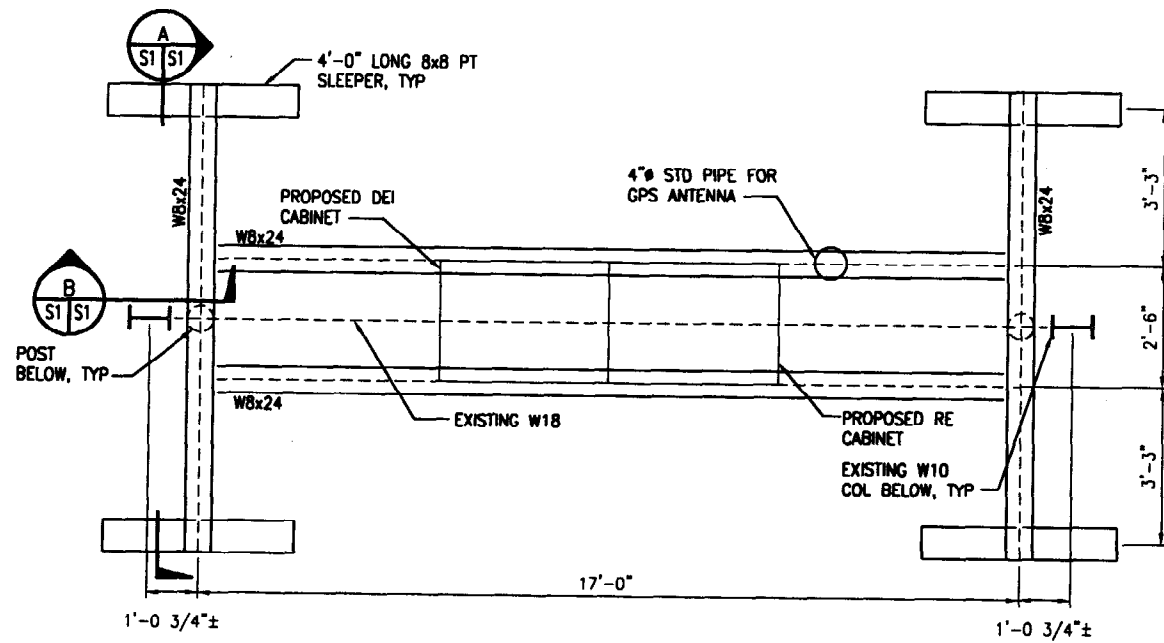
OSBY Associates, Inc.
340 Corporate Blvd. - South Portland, ME 04106
Telephone: (207) 761-1770
Fax: (207) 774-1246
OEST PROJ. NO.: 390.30.01

DATE: 09/15/03
SITE NAME: EMBASSY SUITES
SITE NUMBER: 853326
ADDRESS: 1050 WESTBROOK ST
DRAWING TITLE: ELECTRICAL DETAILS

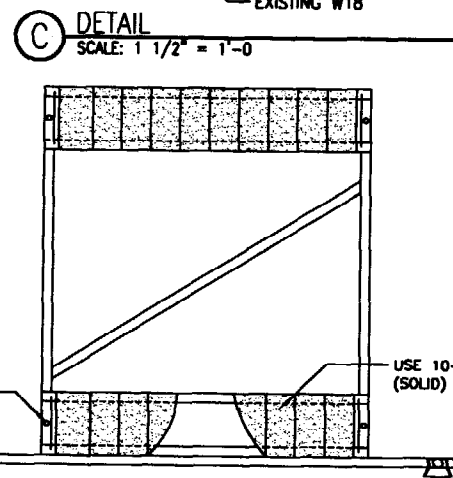
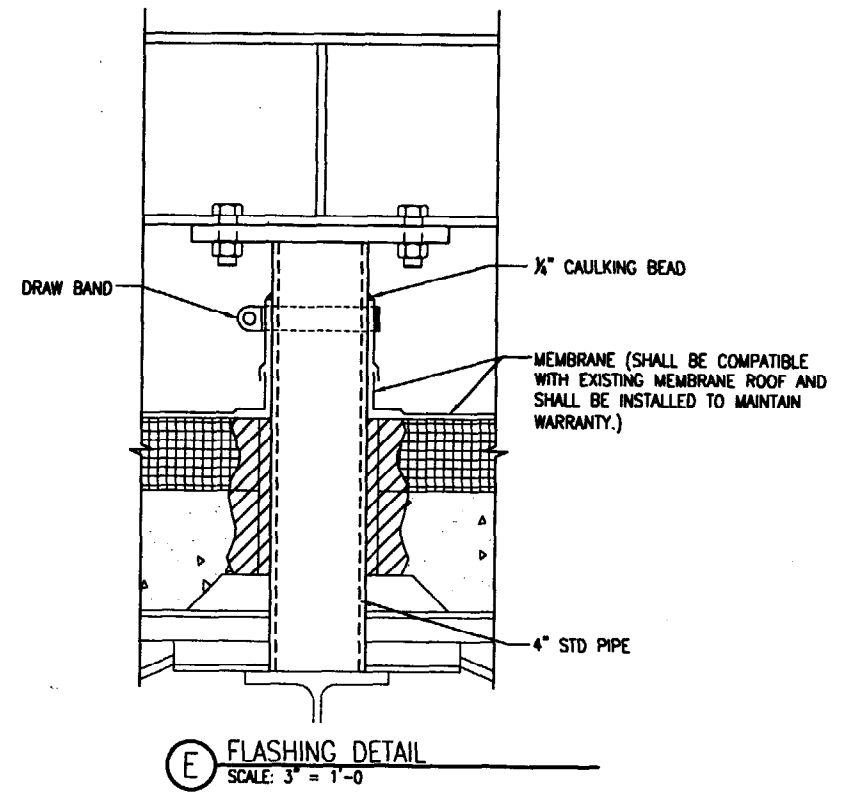
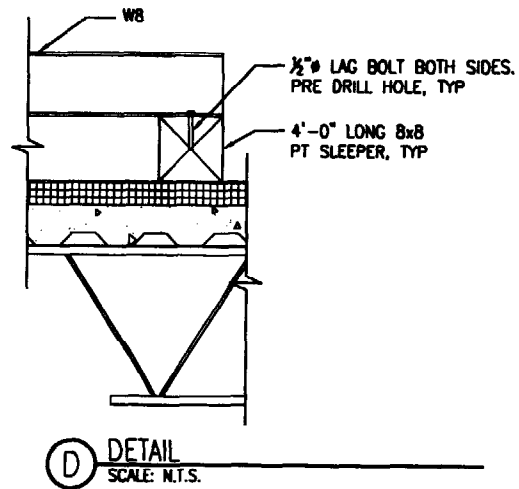
REVISIONS		
NO.	DESCRIPTION	DATE
0	FOR CONSTRUCTION	09/15/03

DESIGNED BY: MSD DATE: 09/15/03
DRAWN BY: BJB SCALE: AS NOTED
CHECKED BY: MSD PROJECT NO.: 390.30.01
DRAWING NO.:

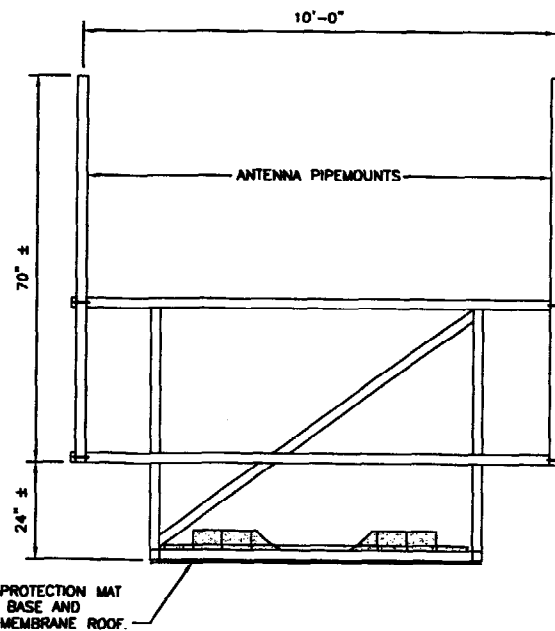
E-1



PROVIDE OPENING IN DECK AS REQUIRED TO MAKE WELD. PROVIDE NEW METAL DECK AROUND PIPE AND PLACE NON-SHRINK GROUT BETWEEN PIPE AND EXISTING ROOF AFTER WELDING.



F ANTENNA MOUNTING RACK
SCALE: N.T.S.



G ANTENNA MOUNTING RACK ELEV.
SCALE: N.T.S.

CEST Associates, Inc.
342 Granite Road • South Portland, ME 04086
Tel: (207) 781-1770
Fax: (207) 774-1246
CEST PROJ. NO.: 390.30.01

SITE NAME: EMBASSY SUITES
SITE NUMBER: 853326
ADDRESS: 1050 WESTBROOK ST
DRAWING TITLE: STRUCTURAL DETAILS

REVISIONS		
NO.	DESCRIPTION	DATE
0	FOR CONSTRUCTION	7/18/03

DESIGNED BY: MSD DATE: 09/15/03
DRAWN BY: BJB SCALE: AS NOTED
CHECKED BY: MSD PROJECT NO.: 390.30.01
DRAWING NO.:

STATE OF MAINE
MICHAEL S. DELETTIS
REGISTERED PROFESSIONAL ENGINEER
No. 5028
90203

GENERAL

- COORDINATE THE STRUCTURAL WORK WITH THE ARCHITECTURAL, CIVIL, MECHANICAL, ELECTRICAL AND PIPING WORKS.
- VERIFY ALL DIMENSIONS IN THE FIELD. DURING ERECTION AND CONSTRUCTION PHASES, PROVIDE TEMPORARY BRACING OF ALL STRUCTURAL COMPONENTS AND ASSEMBLAGES. NOTIFY GUEST OF ALL FIELD CHANGES OR DIMENSION DISCREPANCIES PRIOR TO FABRICATION OR ERECTION.

CODES

- ALL DESIGN AND CONSTRUCTION SHALL CONFORM TO THE REQUIREMENTS OF THE IBC 2000.
- ADDITIONAL REFERENCED STANDARDS:

- AMERICAN INSTITUTE OF STEEL CONSTRUCTION (AISC) MANUAL OF STEEL CONSTRUCTION - ALLOWABLE STRESS DESIGN 1989, 9TH EDITION
- METAL BUILDING MANUFACTURES ASSOCIATION (MBMA) 1988 LOW RISE BUILDING SYSTEMS MANUAL
- AMERICAN CONCRETE INSTITUTE ACI 318-95 BUILDING CODE REQUIREMENTS FOR REINFORCED CONCRETE
- AMERICAN IRON AND STEEL INSTITUTE (ANSI) SPECIFICATION FOR THE DESIGN OF COLD-FORMED STEEL STRUCTURAL MEMBERS
- AMERICAN SOCIETY OF CIVIL ENGINEERS ASCE 7-98 MINIMUM DESIGN LOADS FOR BUILDINGS AND OTHER STRUCTURES

- ALL APPLICABLE FEDERAL DEPARTMENT OF LABOR OCCUPATIONAL SAFETY AND HEALTH ACT (OSHA) AND THE AMERICANS WITH DISABILITIES ACT (ADA).

CONCRETE AND REINFORCING STEEL

- ALL TOPSOIL AND ORGANIC MATERIAL SHALL BE REMOVED FROM BENEATH FOUNDATION AREAS.
- SUBGRADE BELOW FOUNDATIONS SHALL BE COMPACTED TO AT LEAST 95% OF MAXIMUM DENSITY FROM ASTM D698 (STANDARD PROCTOR).
- CONCRETE WORK SHALL CONFORM TO ALL REQUIREMENTS OF ACI 301 AND ACI 318. CONCRETE STRENGTHS SHALL BE VERIFIED BY STANDARD 28-DAY CYLINDER TESTS, UNLESS AN ALTERNATE CONCRETE MIX DESIGN IS APPROVED. CONCRETE MIXES SHALL BE AS FOLLOWS:
 - CONCRETE SHALL HAVE 4000 PSI MINIMUM 28 DAY COMPRESSIVE STRENGTH.
 - MAXIMUM AGGREGATE SIZE SHALL BE 3/4" (ASTM C33/487).
 - CEMENT SHALL BE ASTM C150 TYPE I OR TYPE II
 - ALL STRUCTURAL CONCRETE SHALL BE AIR ENTRAINED (5.5 +/- 1.5%).
 - SLUMP SHALL BE 2" TO 4".
- REINFORCING STEEL SHALL HAVE MINIMUM COVER PROTECTION AS FOLLOWS:
 - CONCRETE CAST AGAINST AND PERMANENTLY EXPOSED TO EARTH: 3"
 - CONCRETE EXPOSED TO EARTH OR WEATHER: 2"
 - CONCRETE NOT EXPOSED TO WEATHER OR IN CONTACT WITH GROUND:
 - SLABS: 1 1/2"
 - WALLS, JOISTS - #11 BAR AND SMALLER: 3/4"
 - BEAMS, COLUMNS: 1 1/2"
 - PRIMARY REINFORCEMENT, TIES, STIRRUPS, SPIRALS: 1 1/2"

STRUCTURAL AND MISCELLANEOUS STEEL

- STRUCTURAL STEEL DESIGN, FABRICATION AND ERECTION SHALL BE IN ACCORDANCE WITH AISC SPECIFICATION FOR STRUCTURAL STEEL BUILDINGS - ALLOWABLE STRESS DESIGN, JUNE 1, 1989 (9TH EDITION).
- HIGH STRENGTH BOLTS SHALL BE IN ACCORDANCE WITH AISC - SPECIFICATION FOR STRUCTURAL JOINTS USING ASTM A325 OR 490 BOLTS, NOVEMBER 13, 1985.
- WELDING SHALL BE IN ACCORDANCE WITH AWS D1.1 USE AWS PREQUALIFIED JOINT DETAILS.
- STRUCTURAL STEEL MATERIALS SHALL CONFORM TO THE FOLLOWING:
 - CONNECTION MATERIAL EMBEDDED ITEMS, HOT ROLLED
 - STRUCTURAL SHAPES, BASE PLATES AND MS. STEEL: ASTM A36
 - STRUCTURAL TUBES ASTM A500 GRADE B
 - STEEL PIPE ASTM A53, GRADE B
 - STRUCTURAL BOLTS ASTM A325-W U.N.O.
 - ANCHOR BOLTS ASTM A307 OR ASTM A36
 - THREADED RODS ASTM A36 OR ASTM A307
 - WELDING ELECTRODES E70XX

GROUNDING NOTES:

- ALL DETAILS ARE SHOWN DIAGRAMMATICALLY. ACTUAL GROUNDING INSTALLATION AND CONSTRUCTION MAY VARY DUE TO SITE SPECIFIC CONDITIONS.
- ALL GROUND WIRE SHALL BE BARE THINNED COPPER #2 AWG UNLESS OTHERWISE NOTED.
- ALL GROUND WIRES SHALL PROVIDE A STRAIGHT, DOWNWARD PATH TO GROUND WITH GRADUAL BENDS AS REQUIRED. GROUND WIRES SHALL NOT BE LOOPED OR SHARPLY BENT.
- ELECTRICAL CONTRACTOR SHALL COORDINATE CONNECTIONS TO EXISTING GROUND RINGS WITH SITE CONSTRUCTION MANAGER.
- ANTENNA GROUND KITS SHALL BE FURNISHED BY US CELLULAR AND INSTALLED BY CONTRACTOR.
- GROUND SYSTEM SHALL BE TESTED AND SHALL HAVE A RESISTANCE OF 5 OHMS OR LESS.

GENERAL CONSTRUCTION DETAILS

THE EQUIPMENT ANTICIPATED TO BE USED FOR THE CONSTRUCTION INCLUDES THE FOLLOWING: BACKHOES, BULLDOZERS, LOADERS, TRUCKS, CRANES, COMPACTORS, AND GRADERS. THE FOLLOWING MEASURES WILL BE UNDERTAKEN TO PROVIDE MAXIMUM PROTECTION TO THE SOIL, WATER, AND ADJUTING LANDS:

- PRIOR TO GRUBBING OR ANY EARTHMOVING OPERATION, SLATION FENCE WILL BE INSTALLED ACROSS THE SLOPE ON THE CONTOUR AT THE DOWNHILL LIMIT OF THE WORK AS PROTECTION AGAINST CONSTRUCTION RELATED EROSION.
 - STONE CHECK DAMS WILL BE INSTALLED IN THE DRAINAGE SWALES TO PREVENT EROSION PRIOR TO THE STABILIZATION OF THE CHANNELS. EROSION CONTROL MESH WILL ALSO BE INSTALLED IN ALL DITCH TO BE REVEGETATED.
 - PERMANENT SOIL EROSION CONTROL MEASURES FOR ALL SLOPES, CHANNELS, DITCHES, OR DISTURBED LAND AREA WILL BE COMPLETED WITHIN FIFTEEN CALENDAR DAYS AFTER FINAL GRADING HAS BEEN COMPLETED. WHEN IT IS NOT POSSIBLE TO COMPLETE EROSION CONTROL MEASURES WITHIN FIFTEEN CALENDAR DAYS OF EXPOSURE OF SOIL, ALL DISTURBED AREAS WILL BE MULCHED FOR EROSION CONTROL UPON COMPLETION OF ROUGH GRADING.
- ## COAXIAL-CABLE BRIDGE NOTES
- ALL BRIDGE KITS SHALL BE INSTALLED AS PER THE MANUFACTURERS RECOMMENDATIONS.
 - STRUCTURAL STEEL SHALL BE ASTM A36. PIPE SHALL BE ASTM A53, GRADE B (SEAMLESS)
 - EXTERIOR STEEL SHALL BE HOT-DIP GALVANIZED, AFTER FABRICATION AND WELDING TO ASTM A123. HARDWARE SHALL BE EITHER A325 STEEL GALVANIZED TO ASTM A153, OR 18-8 STAINLESS.
 - SIZE, NUMBER AND POSITION OF COAXIAL CABLES MAY VARY.
 - POSITION BRIDGE ASSEMBLY SO THAT COAXIAL CABLES INTERSECT AT LADDER CENTERLINE. HEIGHT ABOVE GROUND MAY VARY ACCORDING TO SITE LAYOUT.
 - FOUNDATION SHALL BE 18" DIA. SMOOTH TUBE 60" DEEP BELOW GRADE AND 6" ABOVE GRADE FILLED WITH 4000 PSI CONCRETE WITH 3/4" MAXIMUM AGGREGATE.

The way people talk around here.

U.S. Cellular



288 Route 101, 2nd Floor, Bedford, NH 03110

CEST Associates, Inc.
243 Green Road, South Portland, ME 04106
engineers architects interior designers
TEL: (207) 761-1770
FAX: (207) 774-1248
CEST PROJ. NO: 390.30.01

EMBASSY SUITES
SITE NUMBER: 853326
ADDRESS: 1050 WESTBROOK ST
DRAWING TITLE: GENERAL NOTES

NO.	DESCRIPTION	DATE

DATE: 09/15/03
DRAWN BY: JRW
CHECKED BY: BJB
DESIGNED BY: MSD
PROJECT NO: 390.30.01
DRAWING NO: G-1

STATE OF MAINE PROFESSIONAL ENGINEER
MICHAEL S. WILSON
DELIVERED TO: [Signature]
9 OCT 03