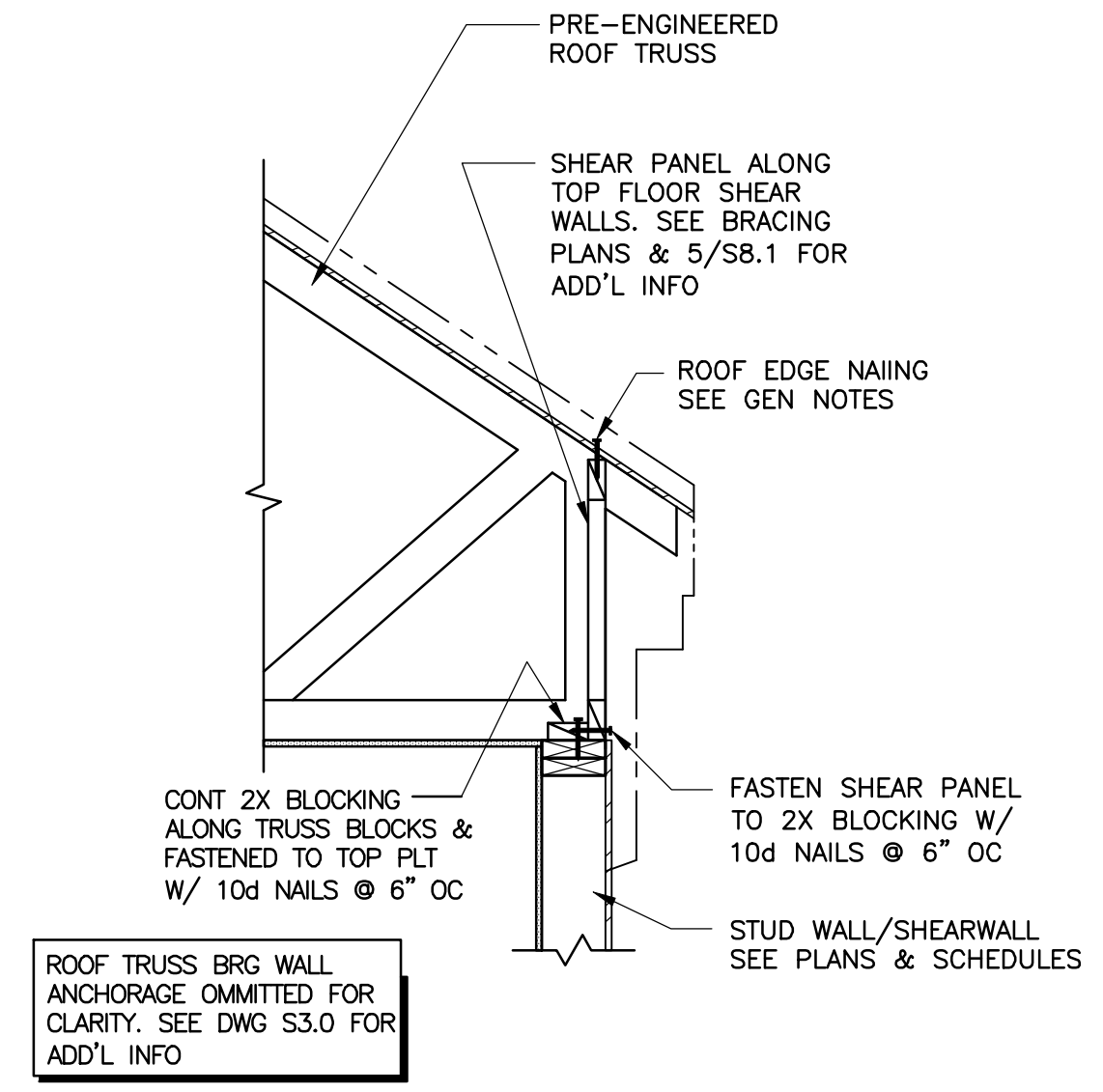
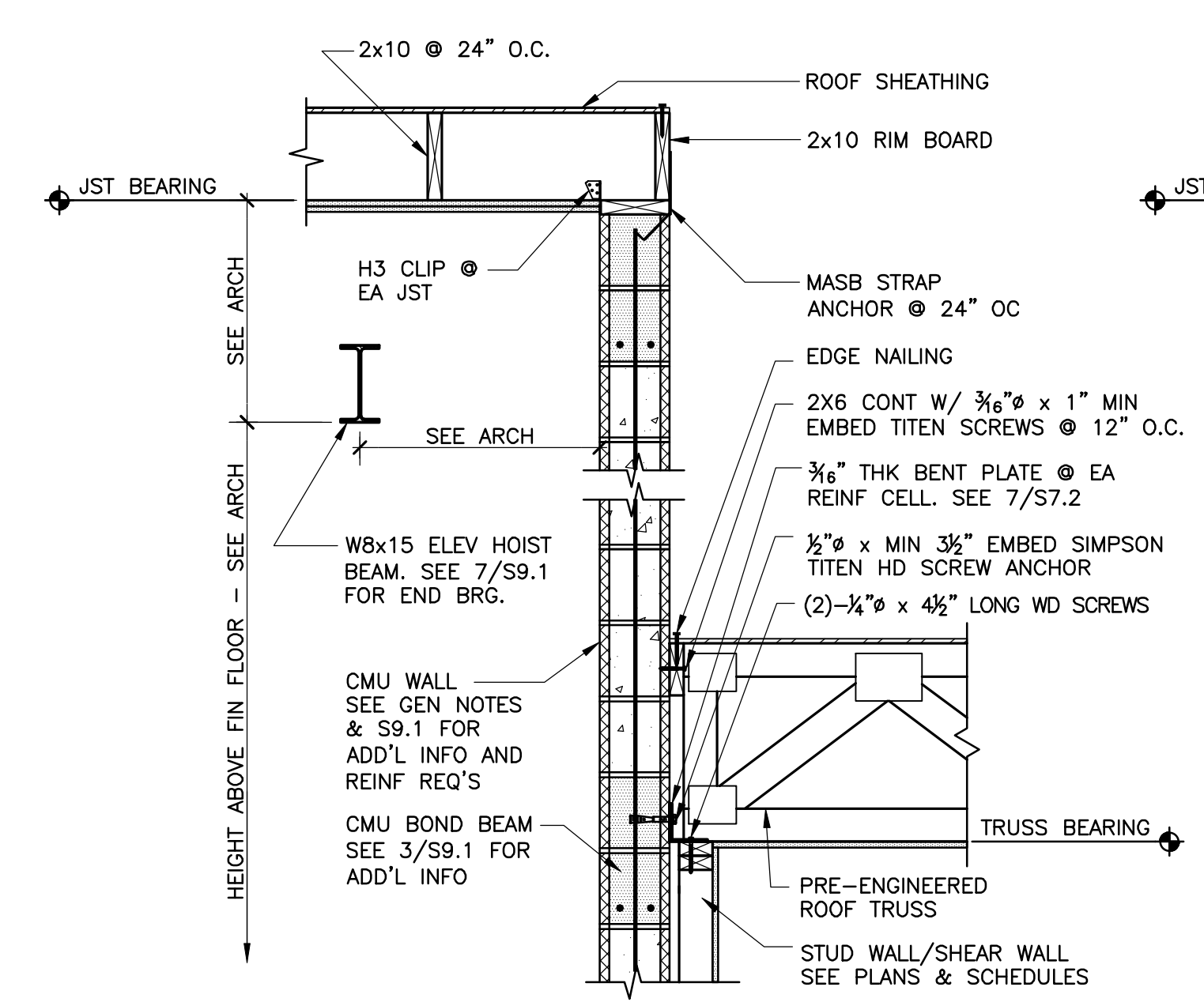


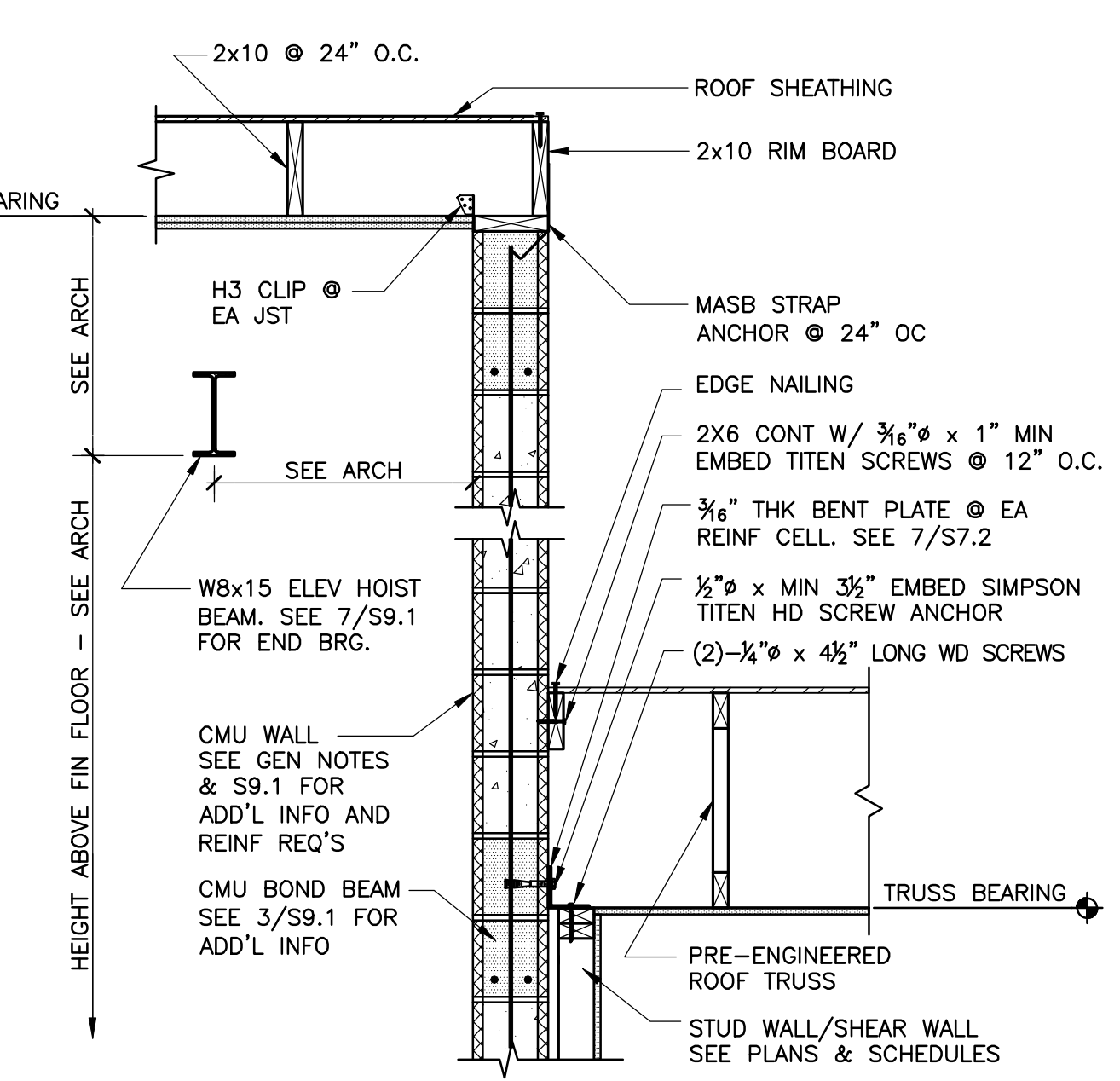
1 ROOF TRUSS @ INTERIOR SHEARWALL
S8.1 SCALE: 3/4" = 1'-0"



2 ROOF TRUSS BRG @ EXT WALL
S8.1 SCALE: 3/4" = 1'-0"

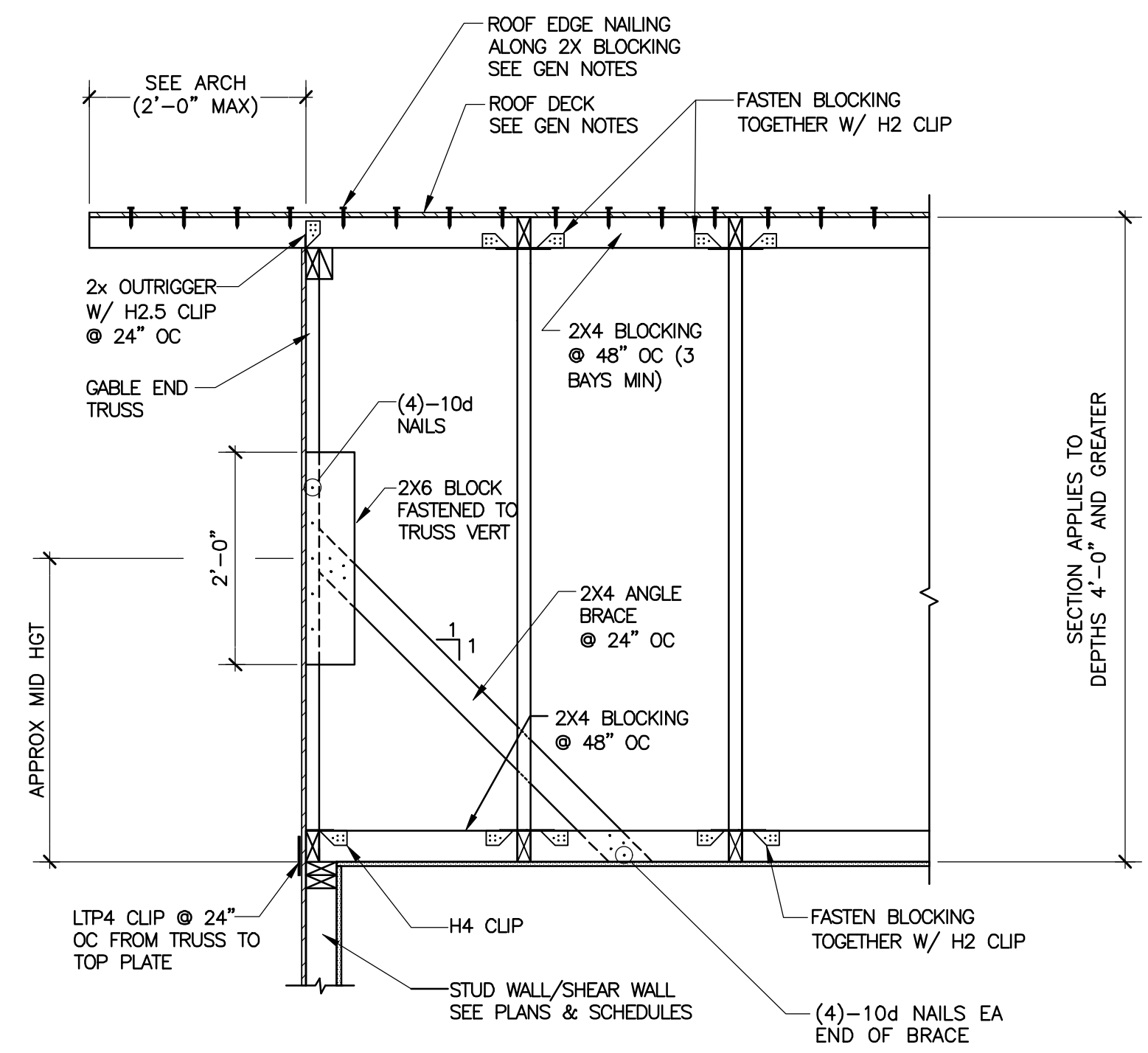


A PERPENDICULAR TRUSS CONDITION

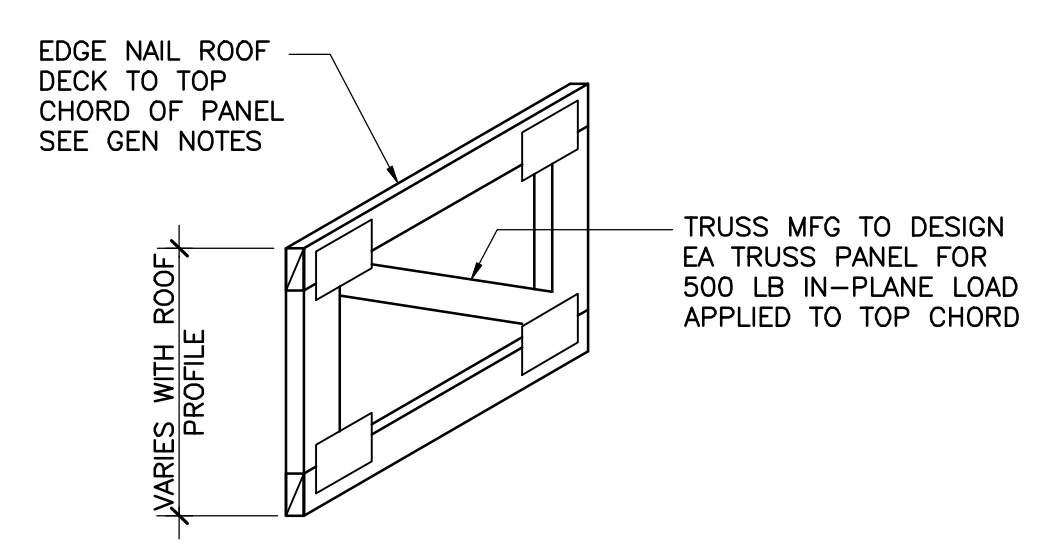


B PARALLEL TRUSS CONDITION

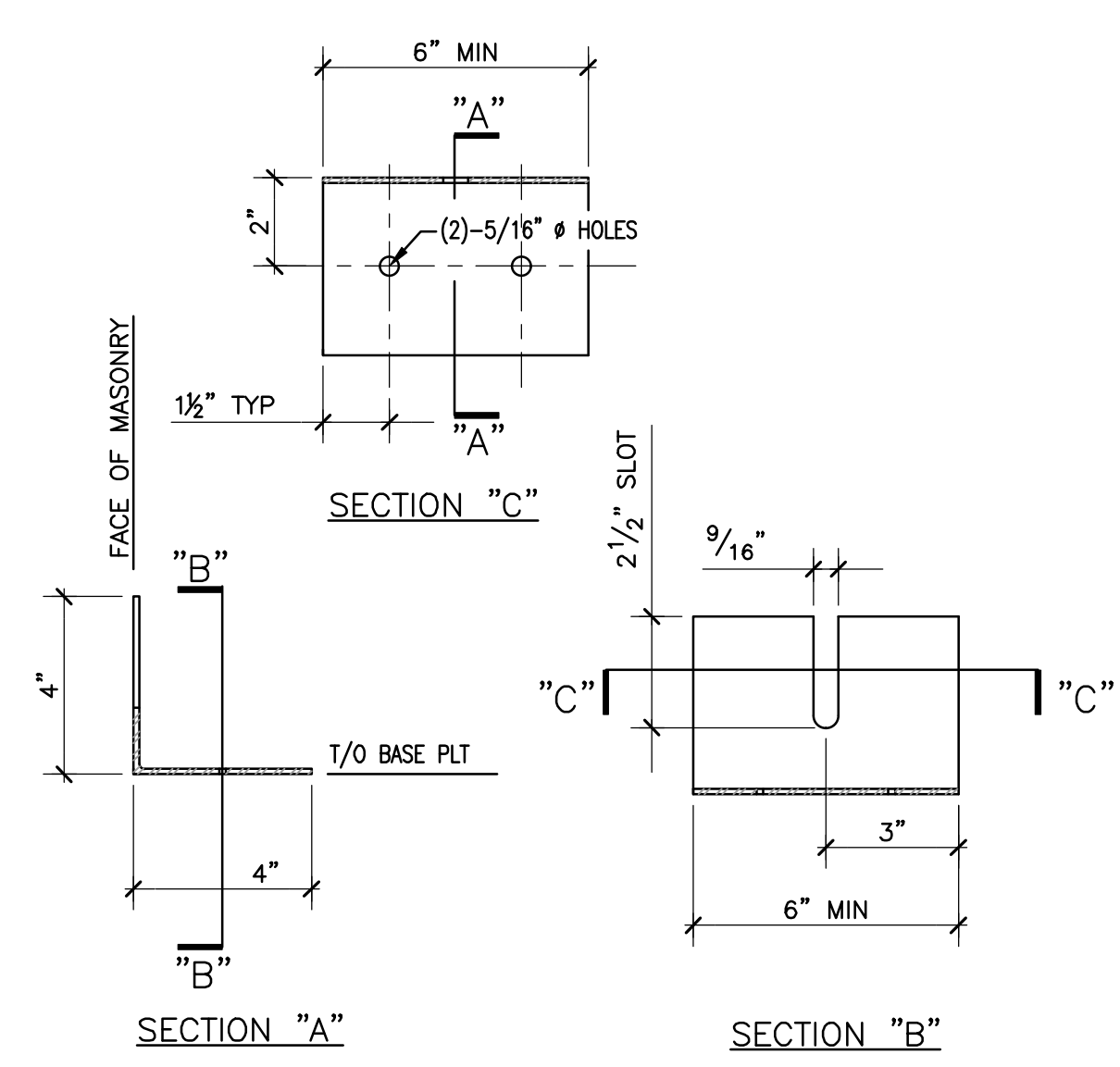
3 TYPICAL SECTION @ ELEVATOR SHAFT
S8.1 SCALE: 3/4" = 1'-0"



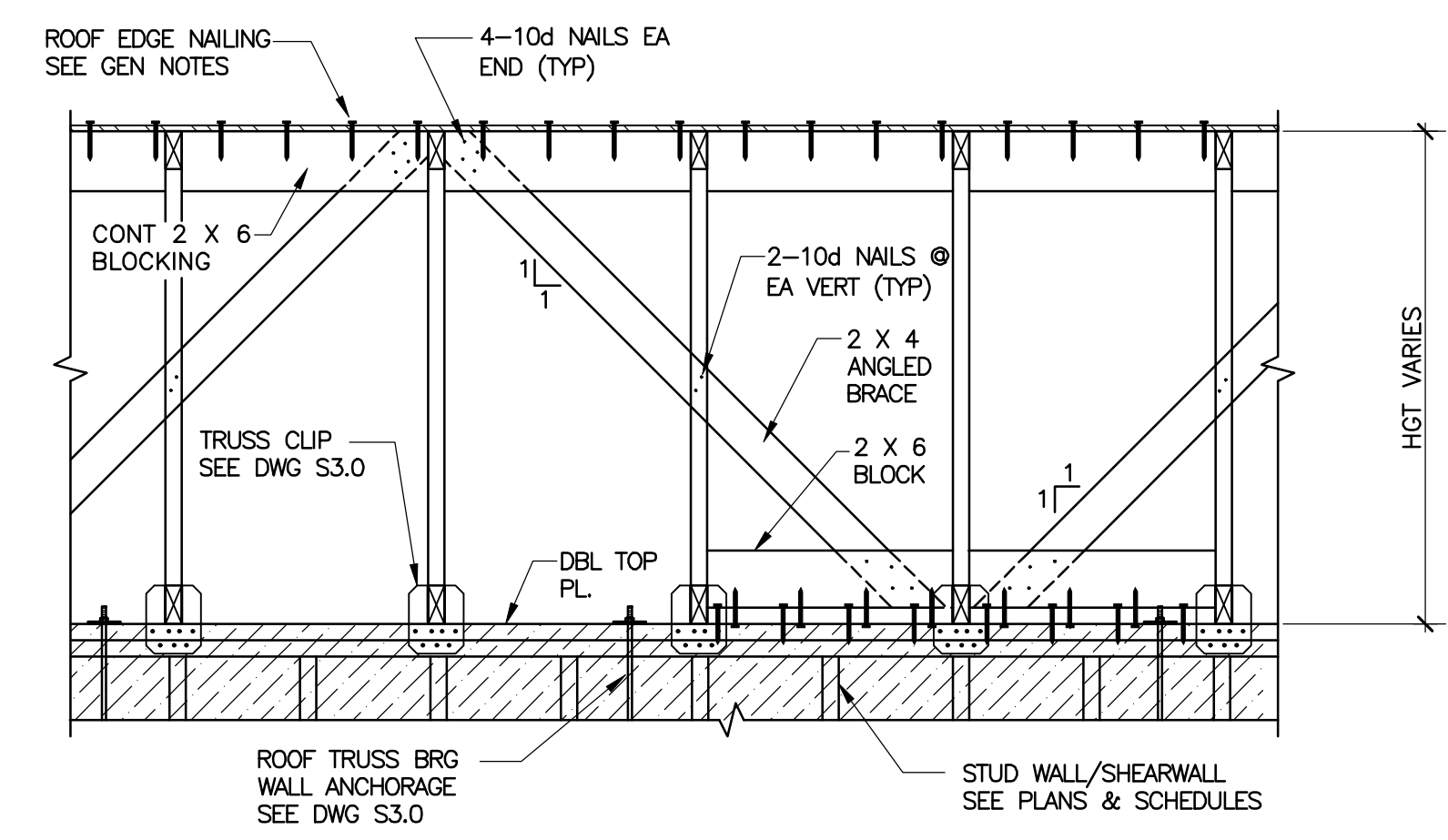
5 TYP SECTION @ GABLE END TRUSS
S8.1 SCALE: 3/4" = 1'-0"



6 TYP ROOF TRUSS SHEAR PANEL
S8.1 SCALE: 3/4" = 1'-0"



7 BENT PLATE DETAIL
S8.1 N.T.S.



8 ELEVATION ALONG CORRIDOR WALL
S8.1 SCALE: 3/4" = 1'-0"