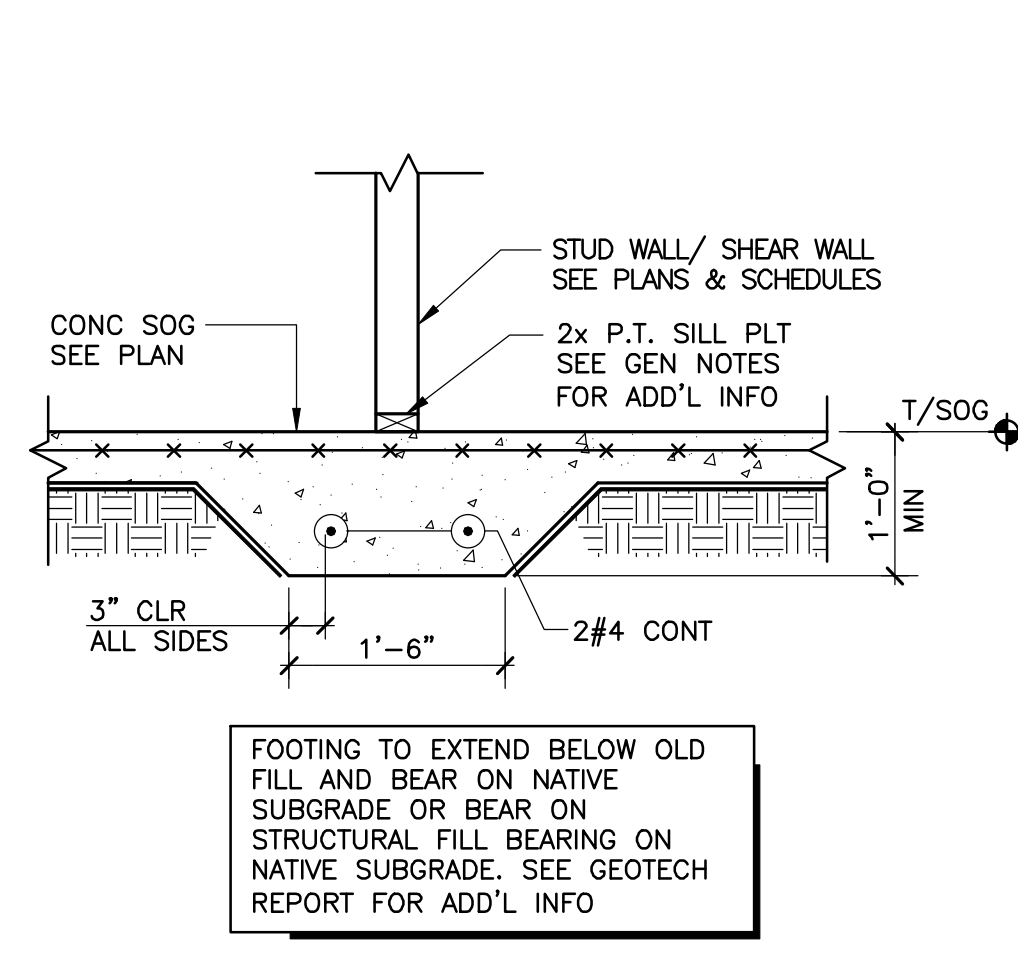
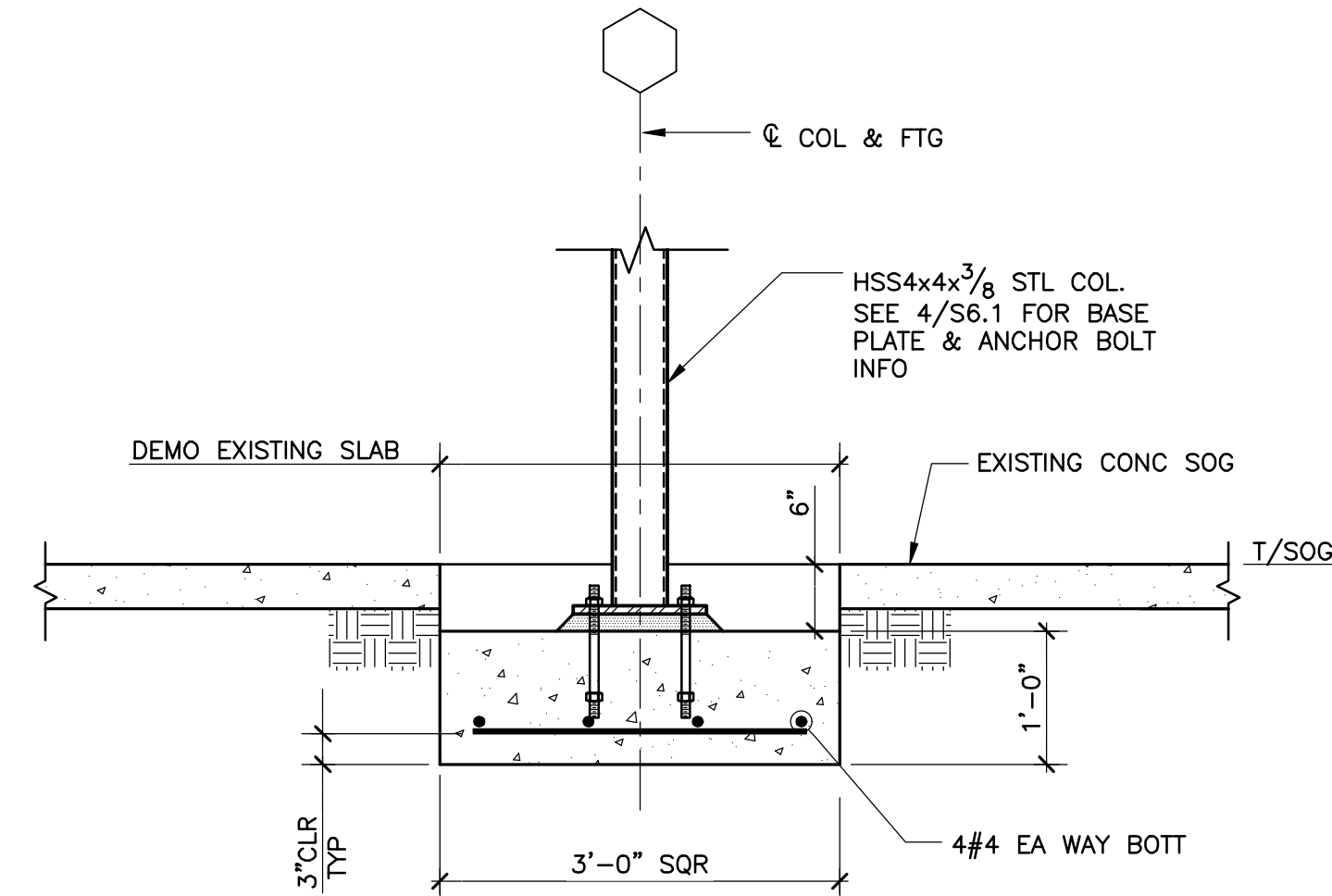


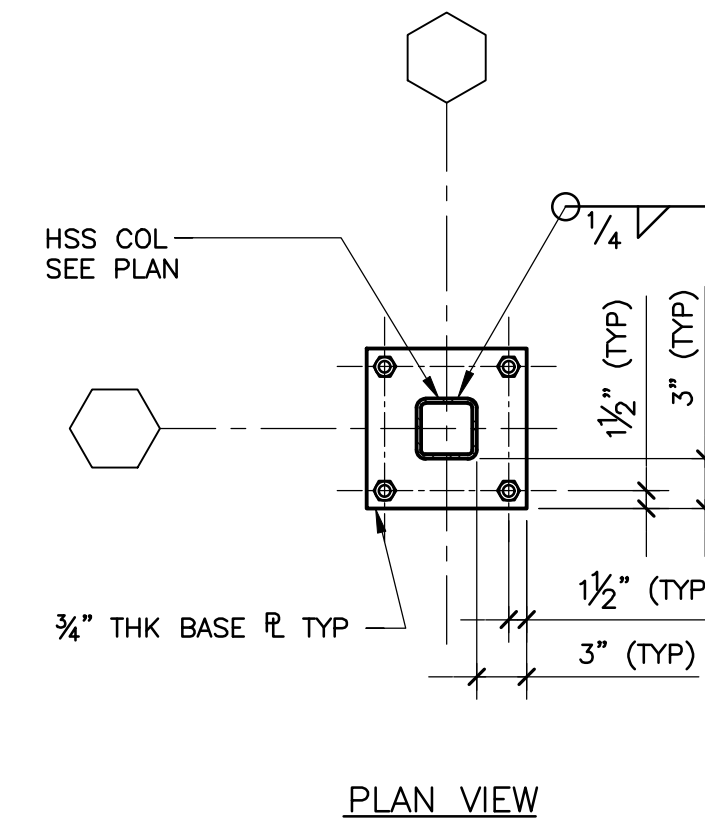
1 TYP CONC SOG JOINT DETAILS
S6.1 SCALE: NTS



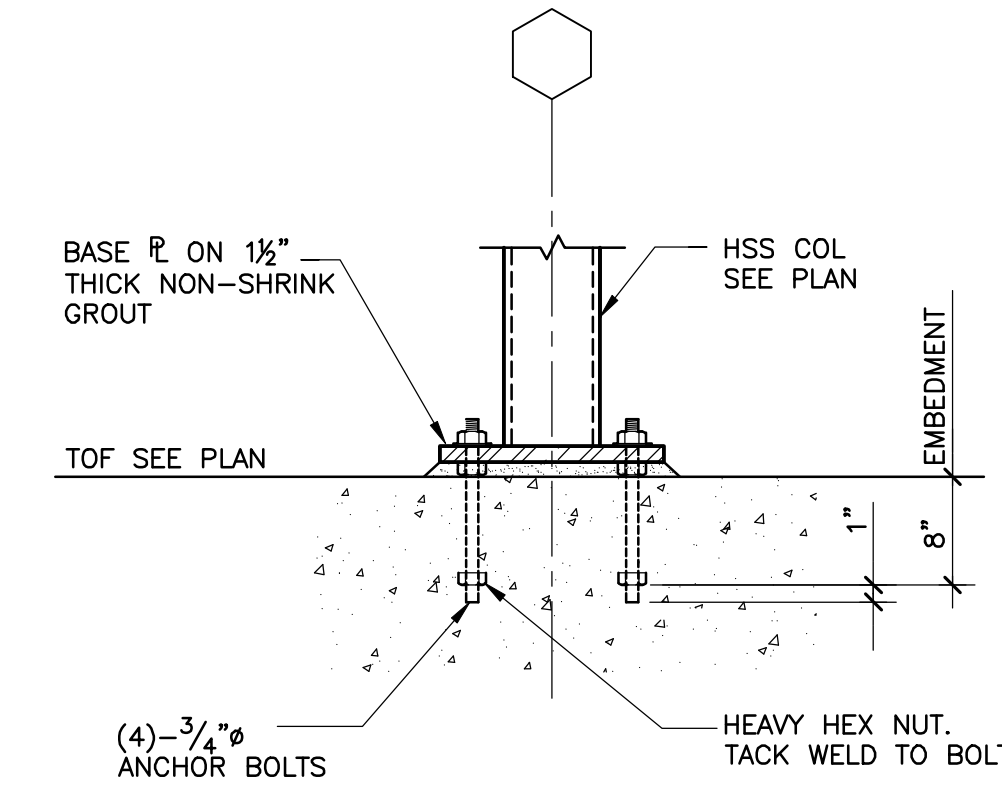
2 TYP THICKENED SLAB DETAIL @ INTERIOR BEARING WALLS
S6.1 SCALE: 3/4" = 1'-0"



3 INTERIOR COLUMN FOOTING @ EXISTING INTERIOR SLAB
S6.1 SCALE: 3/4" = 1'-0"

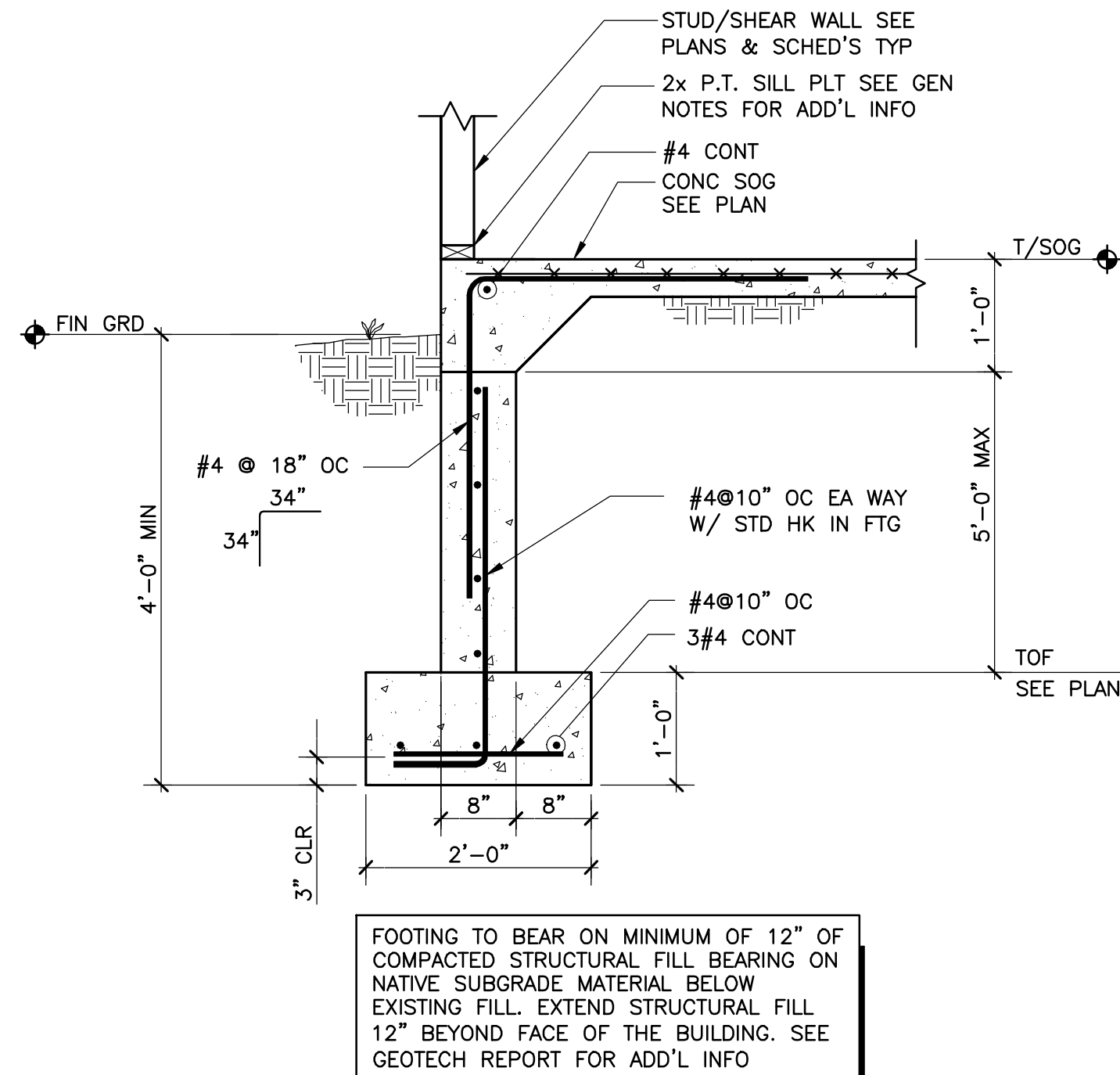


PLAN VIEW

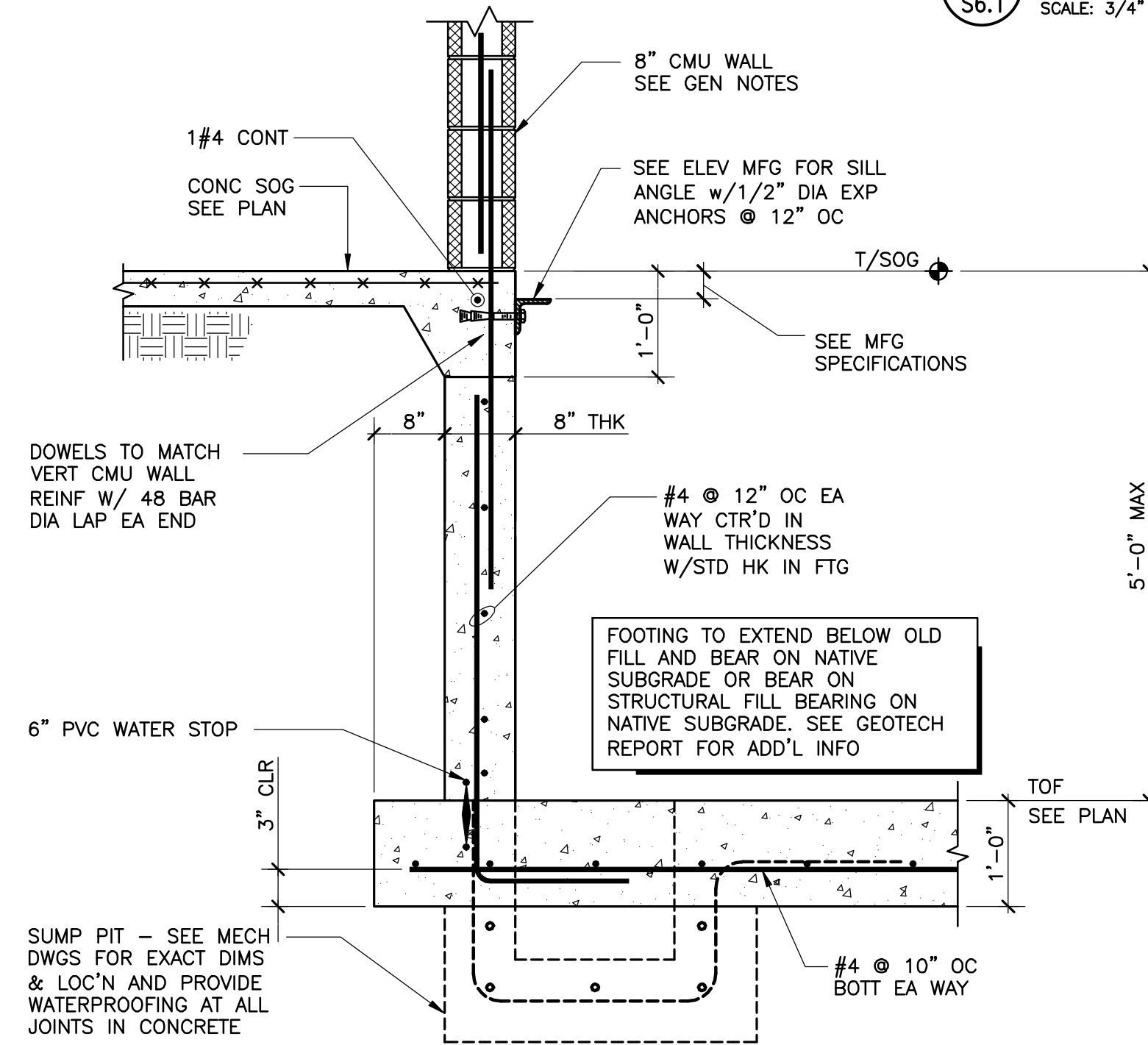


SECTION AT BASE PLATE

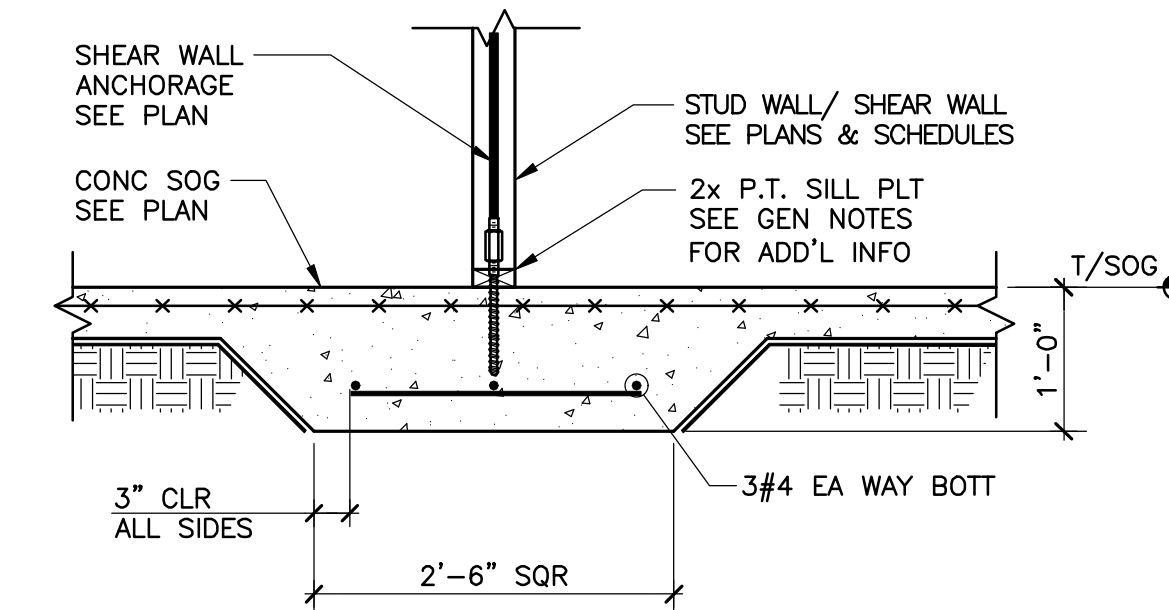
4 TYP BASE PLATE SECTIONS & DETAILS
S6.1 SCALE: 3/4" = 1'-0"



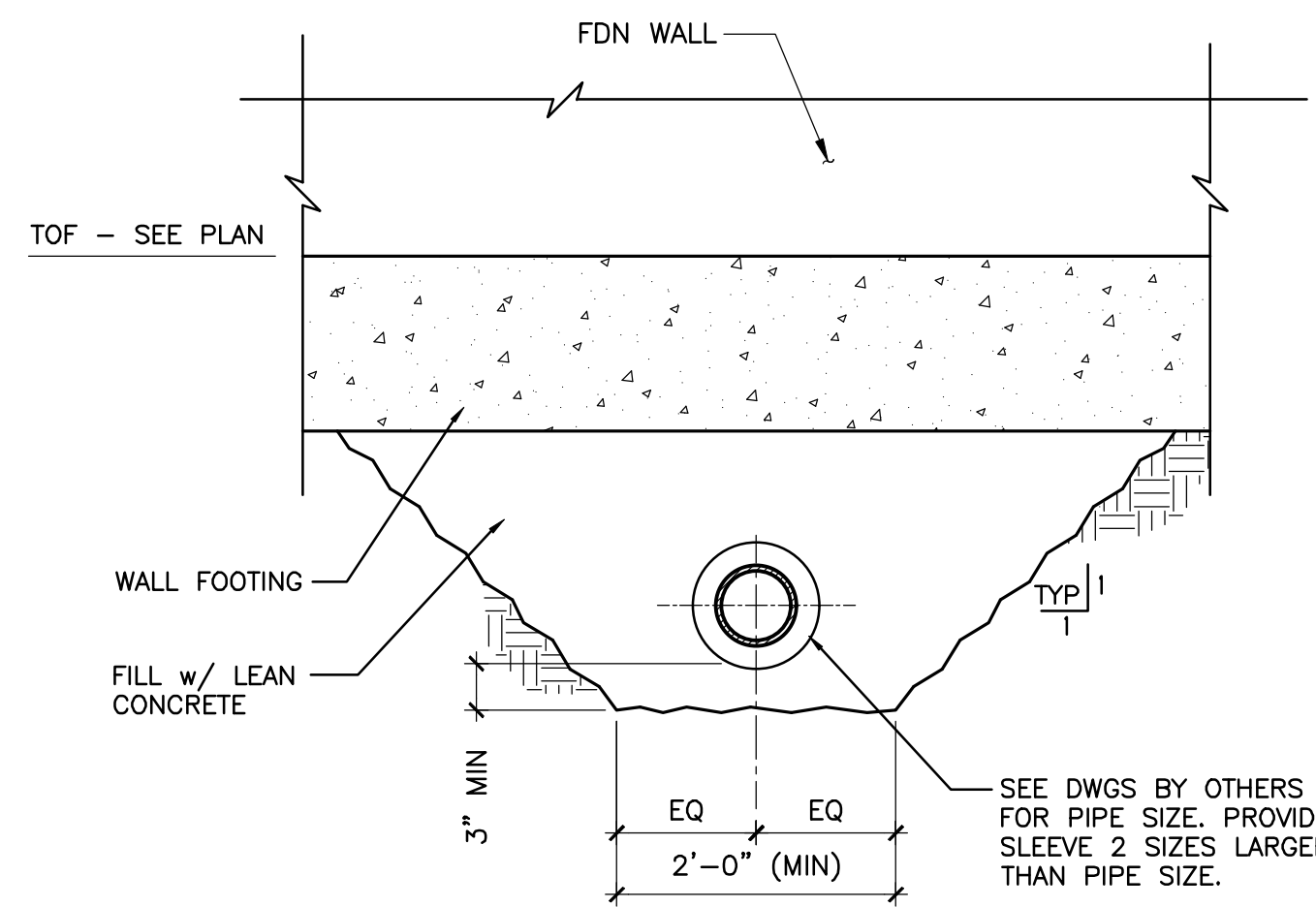
5 SECTION AT EXT STEM WALL
S6.1 SCALE: 3/4" = 1'-0"



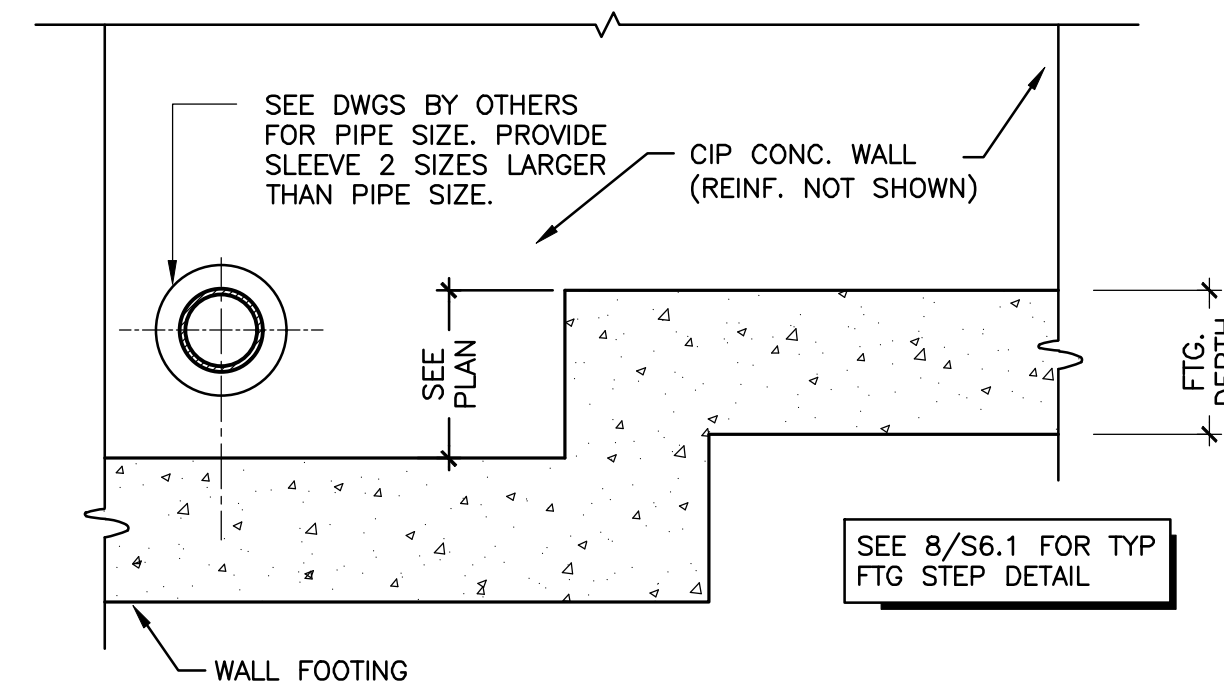
6 SECTION @ ELEVATOR PIT
S6.1 SCALE: 3/4" = 1'-0"



8 TYP THICKENED SLAB DETAIL @ INTERIOR SHEAR WALL ANCHORAGE
S6.1 SCALE: 3/4" = 1'-0"



7 TYP DETAILS @ PIPE BELOW WALL FTG & THRU FOUNDATION WALL
S6.1 SCALE: 3/4" = 1'-0"



PIPE THRU FOUNDATION WALL