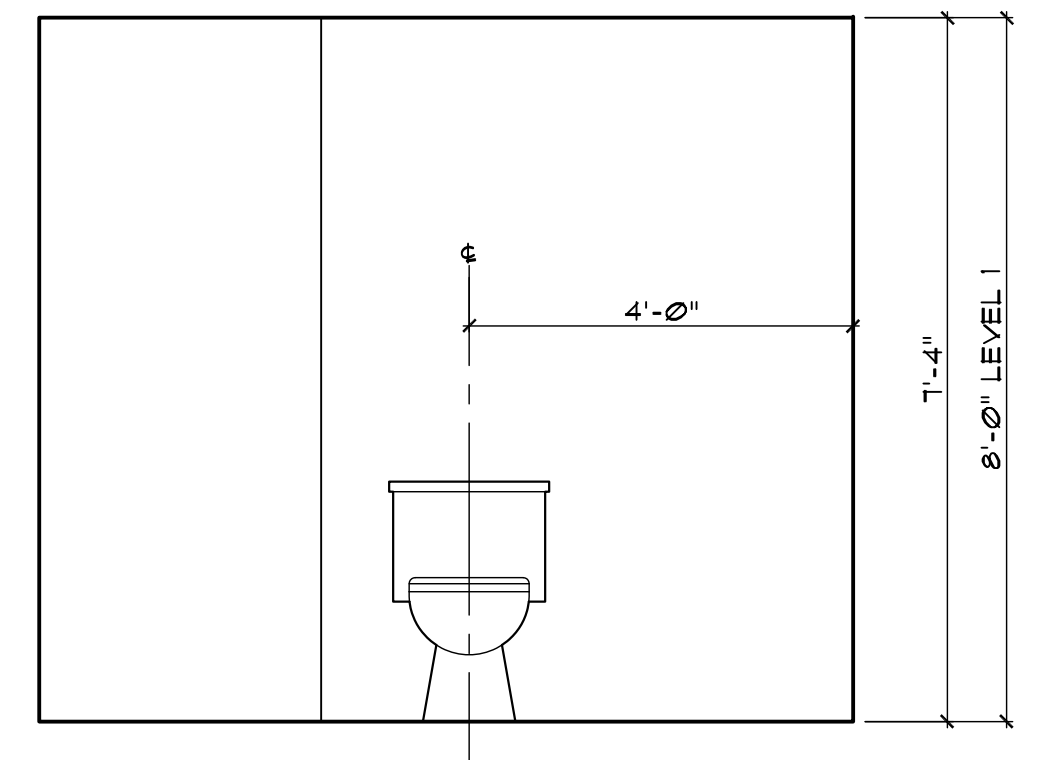
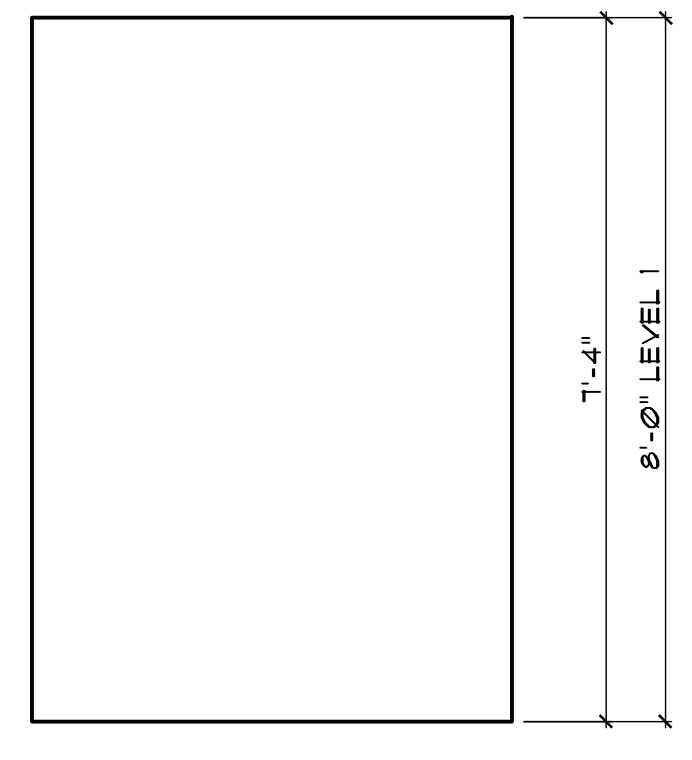


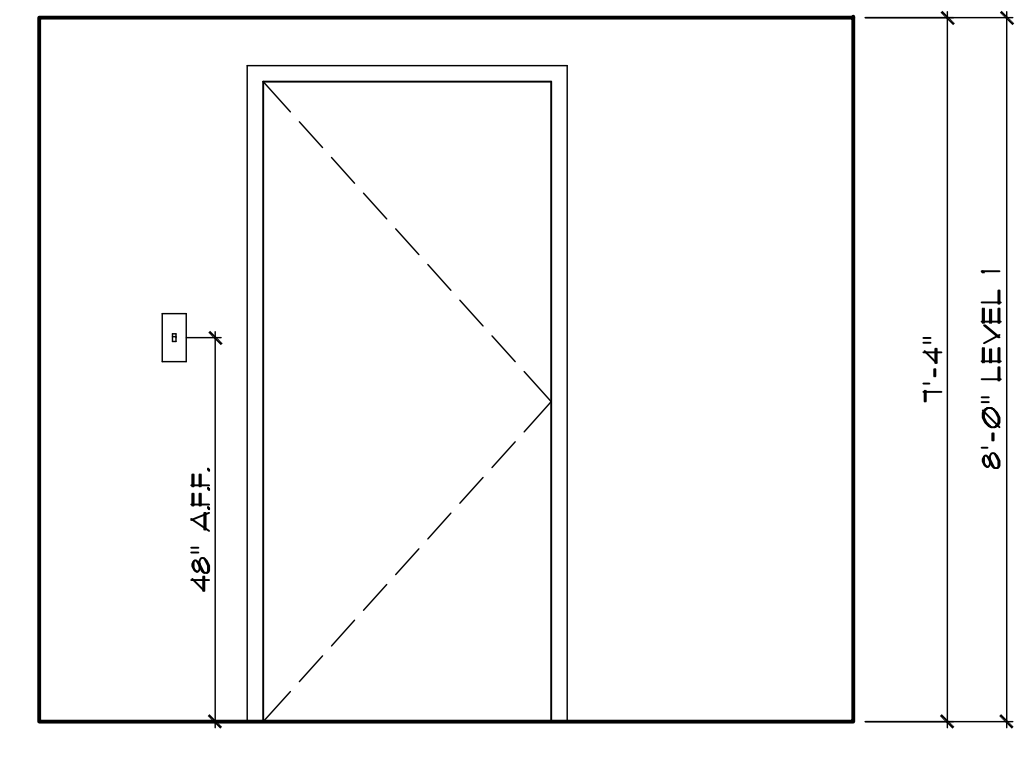
1 TYPICAL GUEST BATH
SCALE: 1/2"=1'-0"



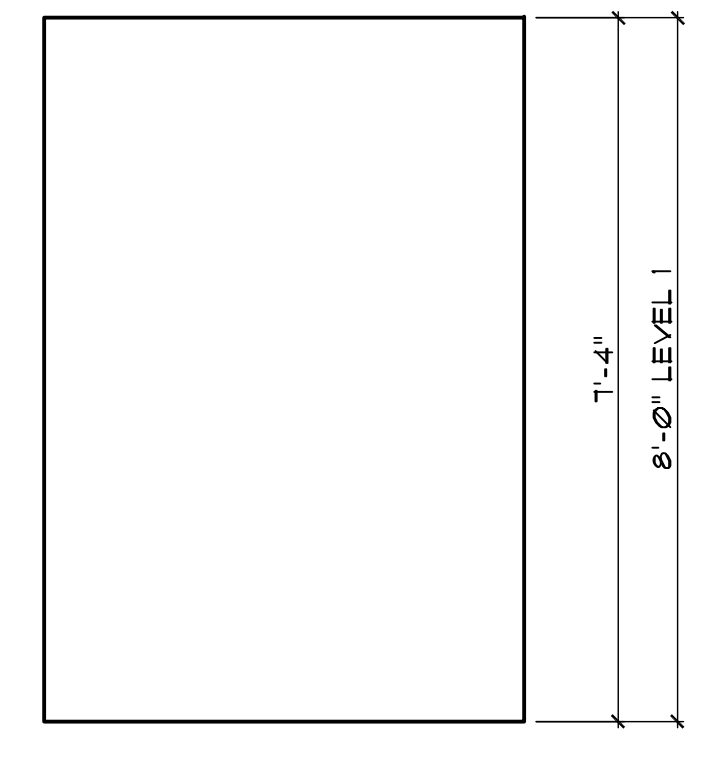
4 ELEVATION
SCALE: 1/2"=1'-0"



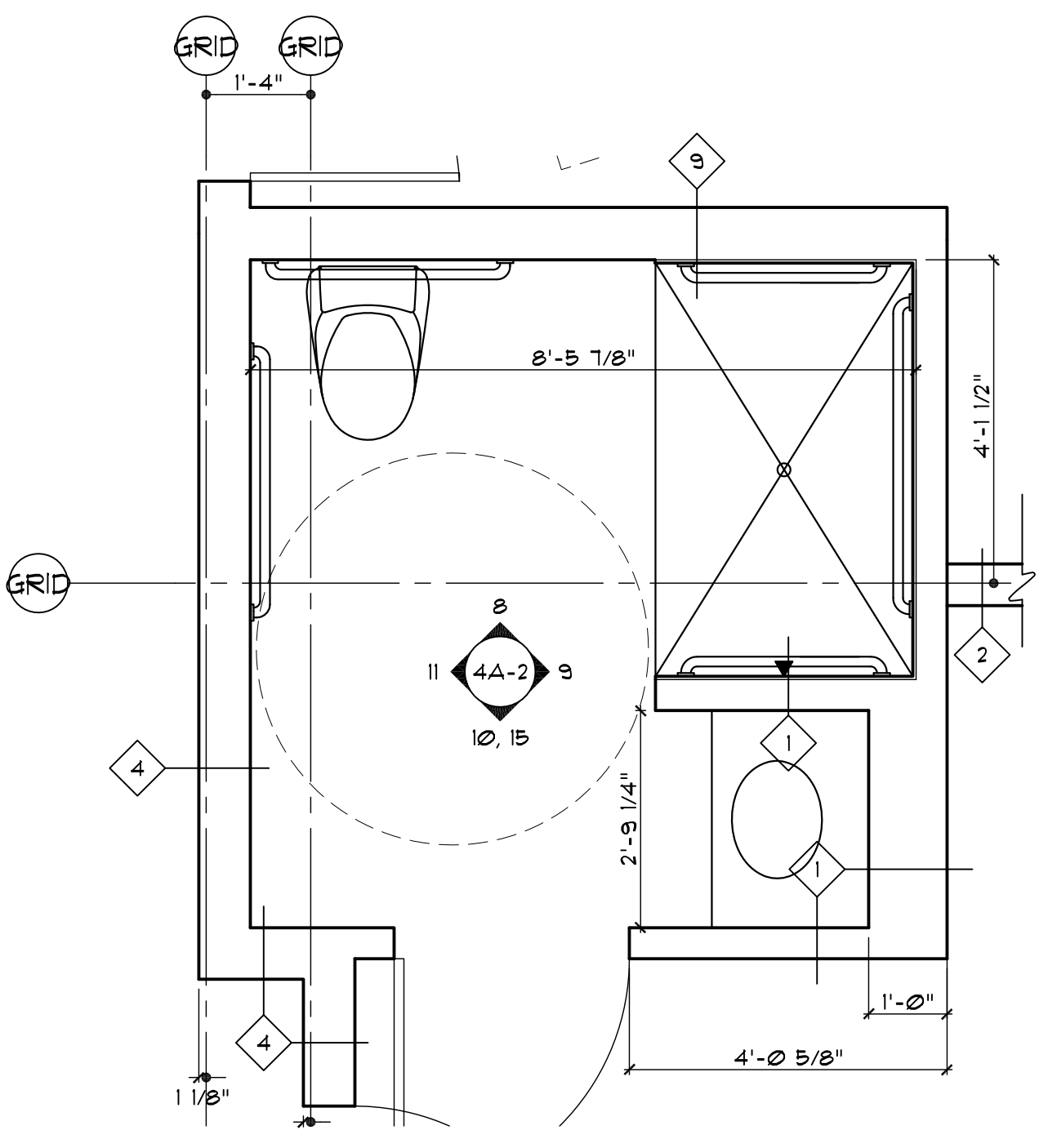
5 ELEVATION
SCALE: 1/2"=1'-0"



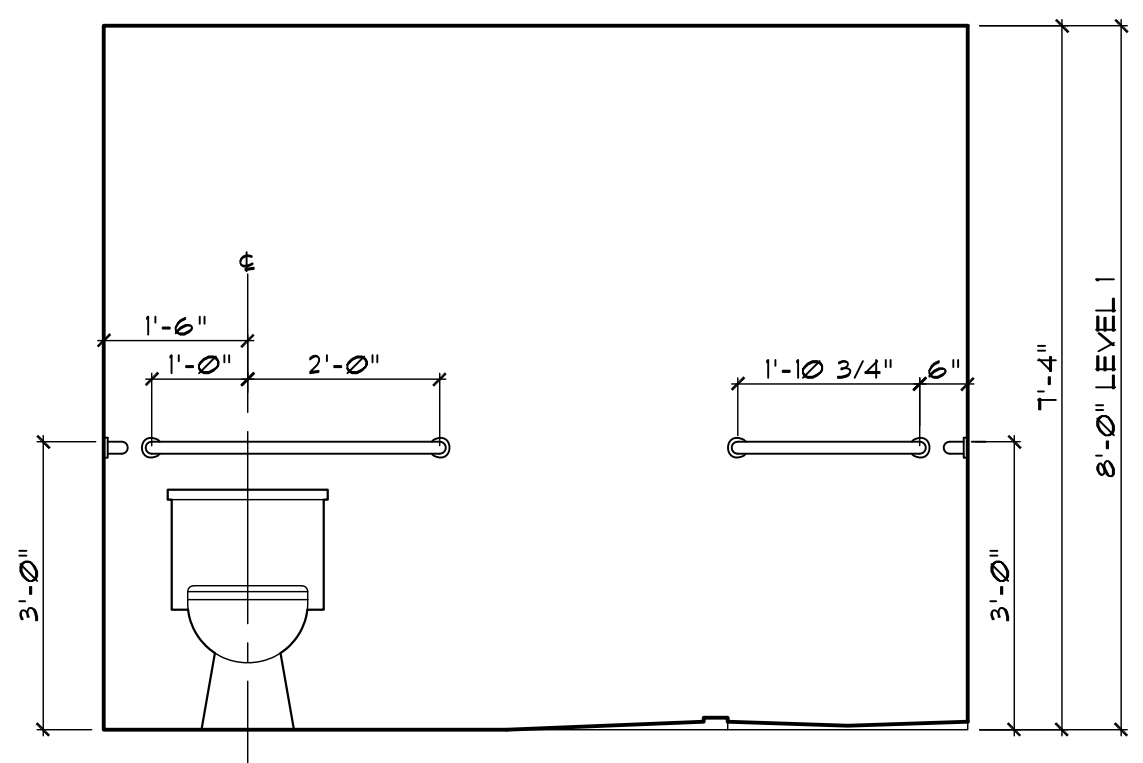
6 ELEVATION
SCALE: 1/2"=1'-0"



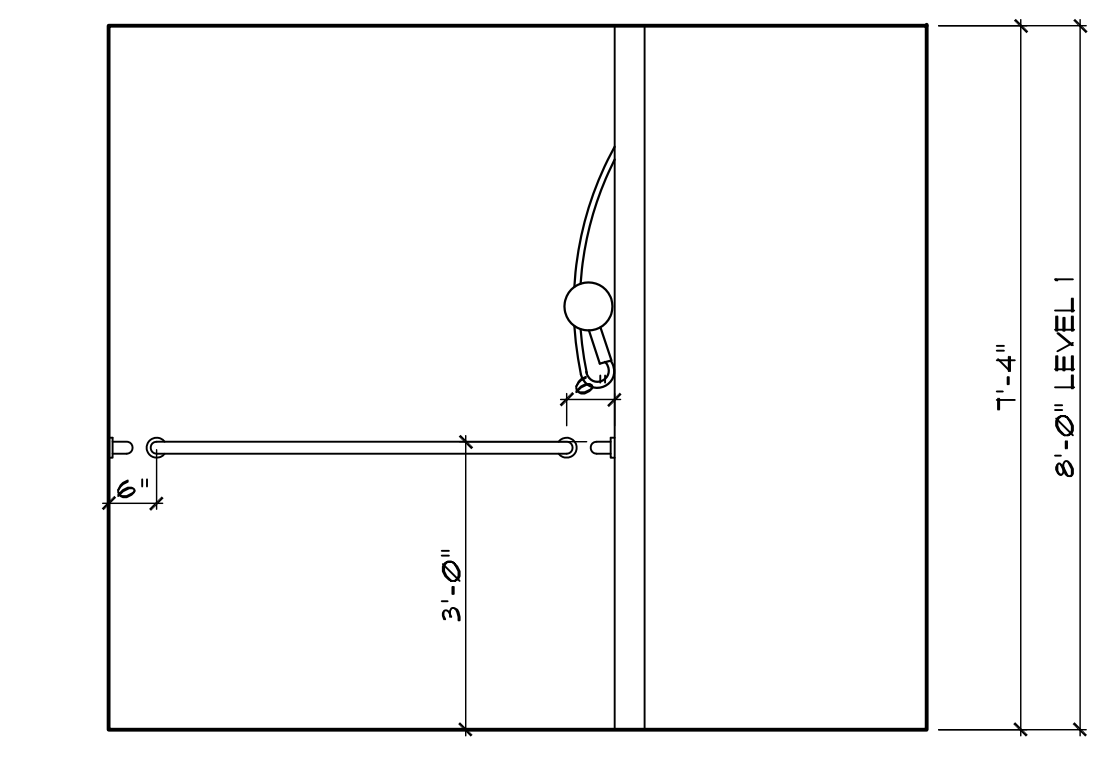
7 ELEVATION
SCALE: 1/2"=1'-0"



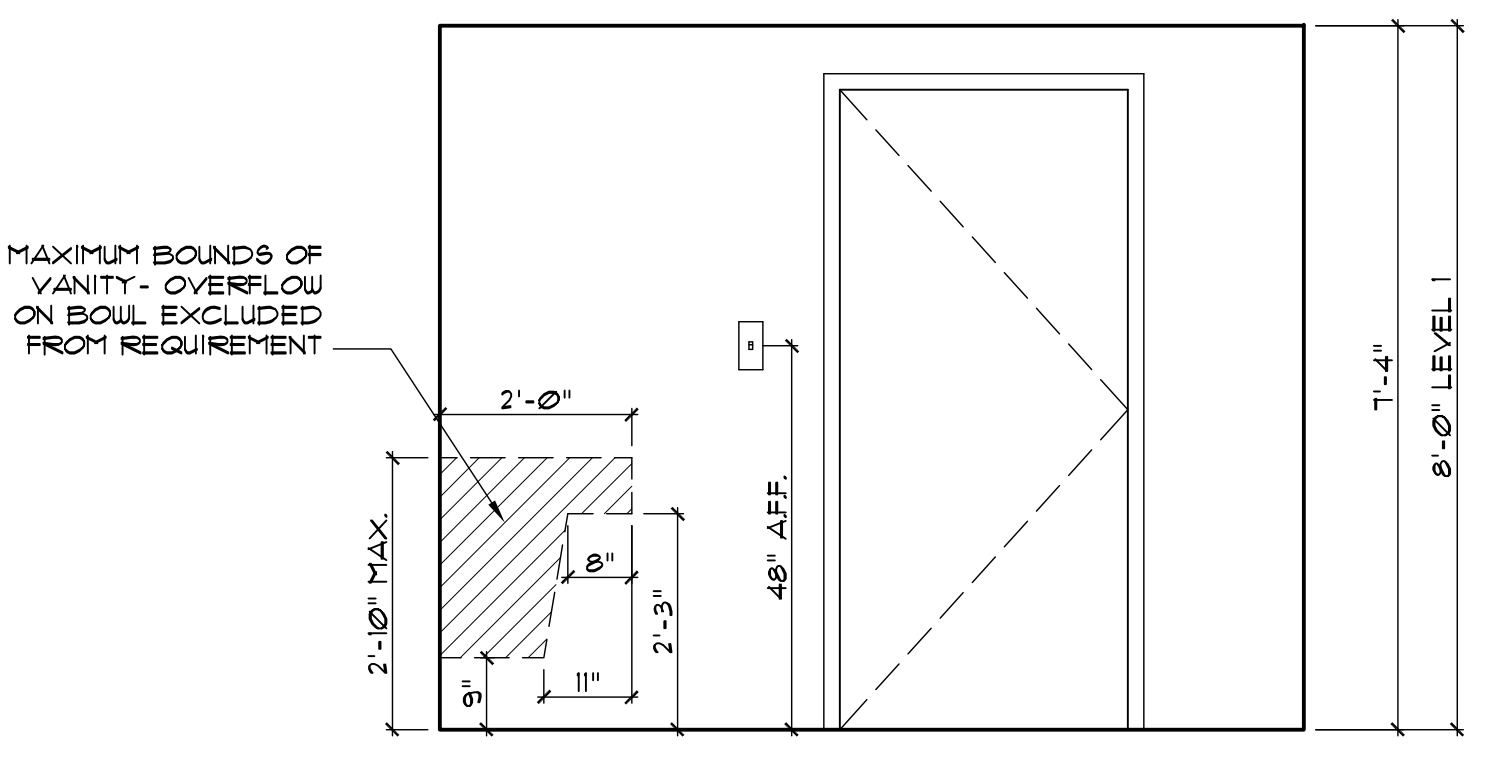
2 ADA GUEST SHOWER
SCALE: 1/2"=1'-0"



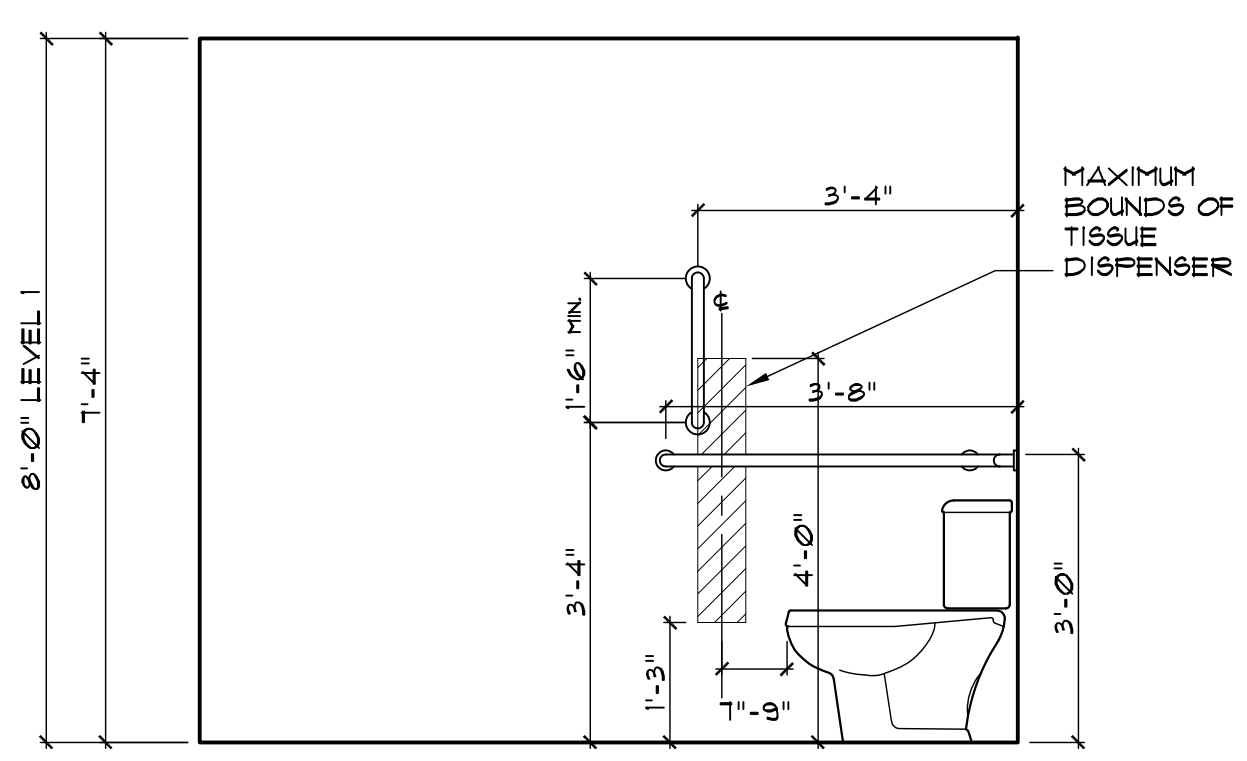
8 ELEVATION
SCALE: 1/2"=1'-0"



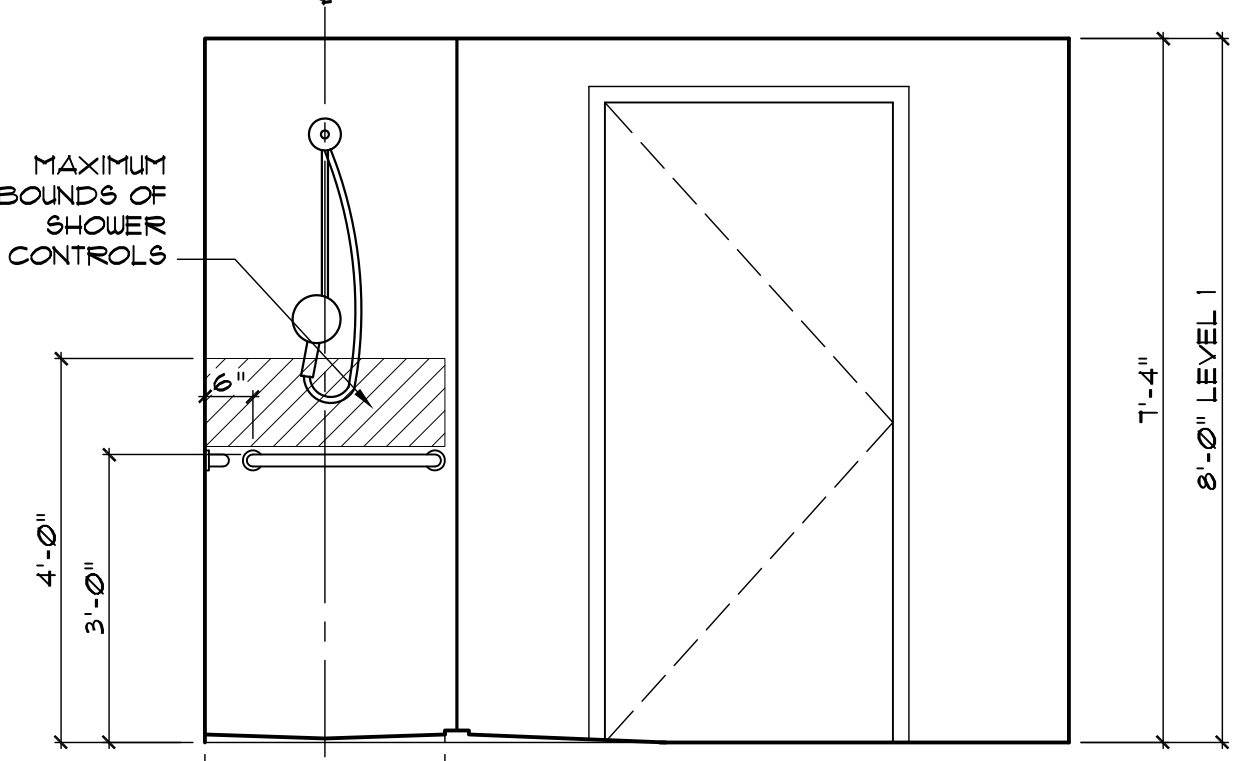
9 ELEVATION
SCALE: 1/2"=1'-0"



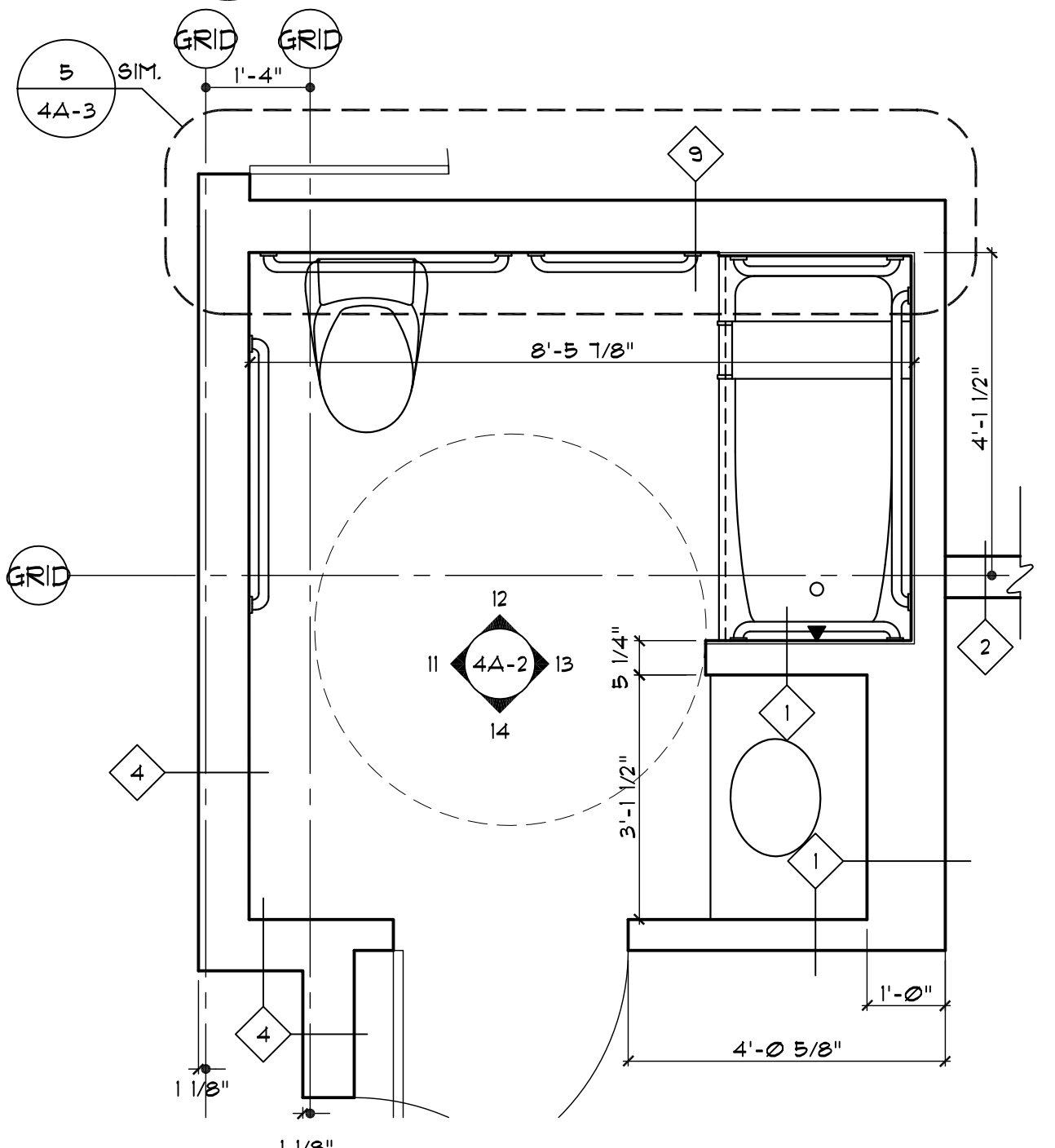
10 ELEVATION
SCALE: 1/2"=1'-0"



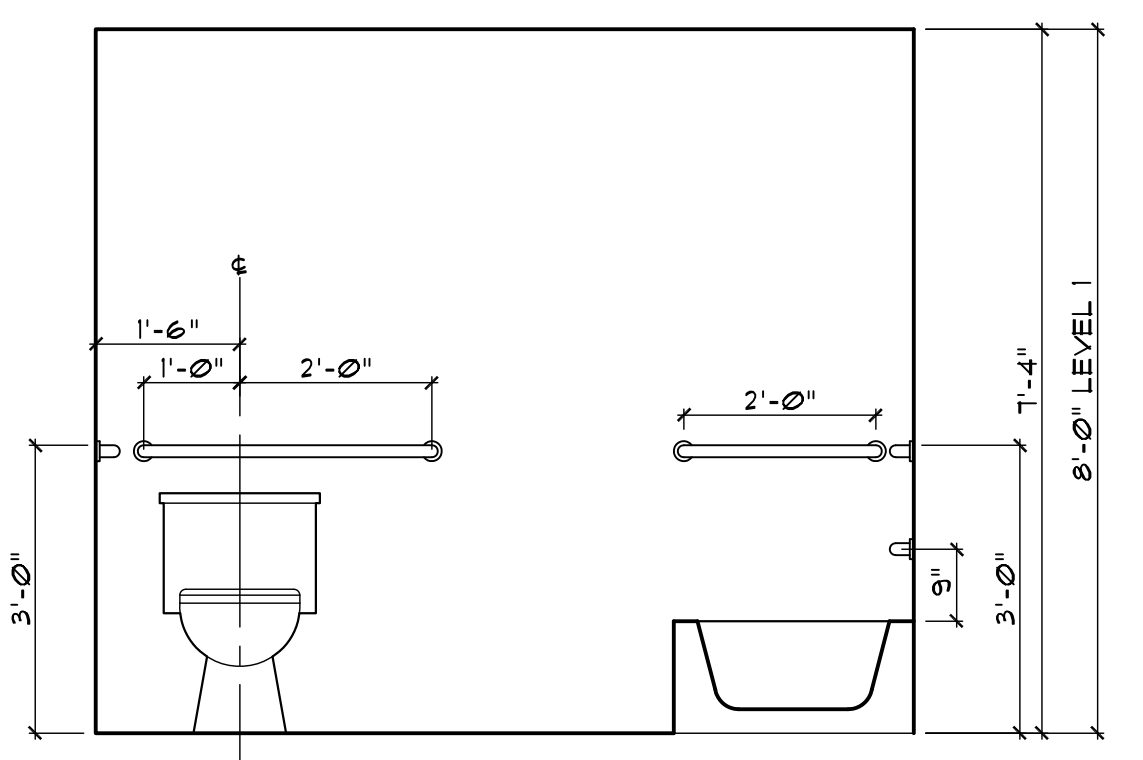
11 ELEVATION
SCALE: 1/2"=1'-0"



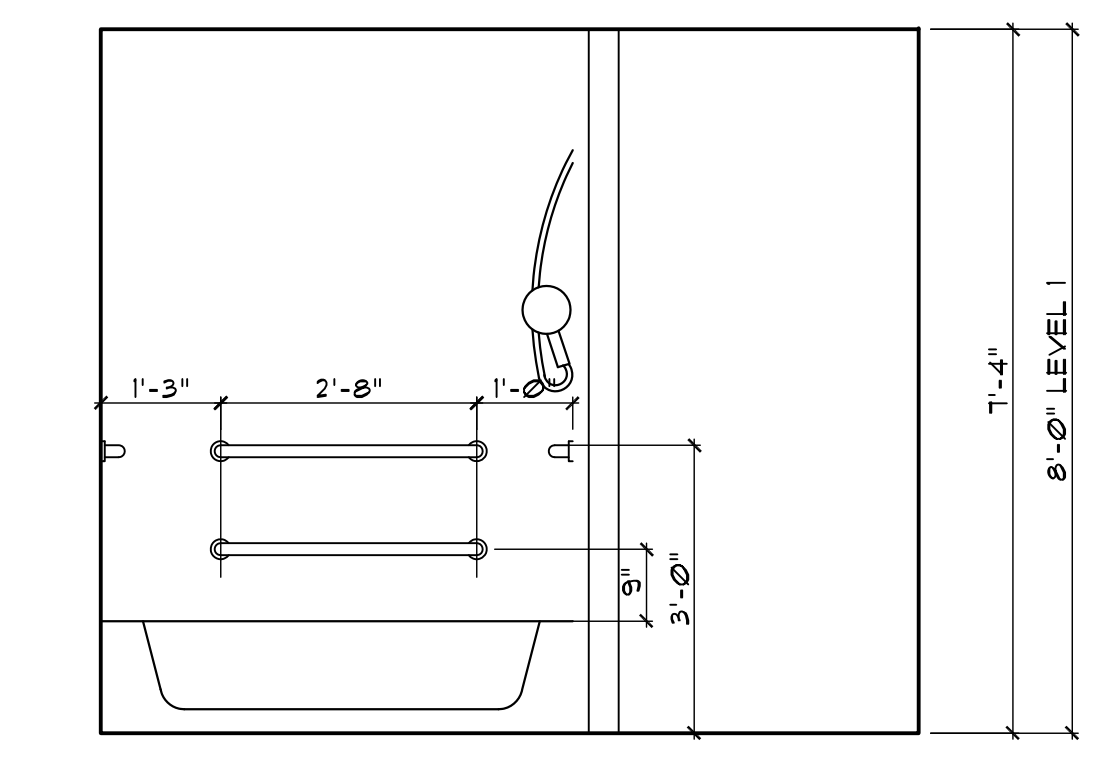
15 ELEVATION
SCALE: 1/2"=1'-0"



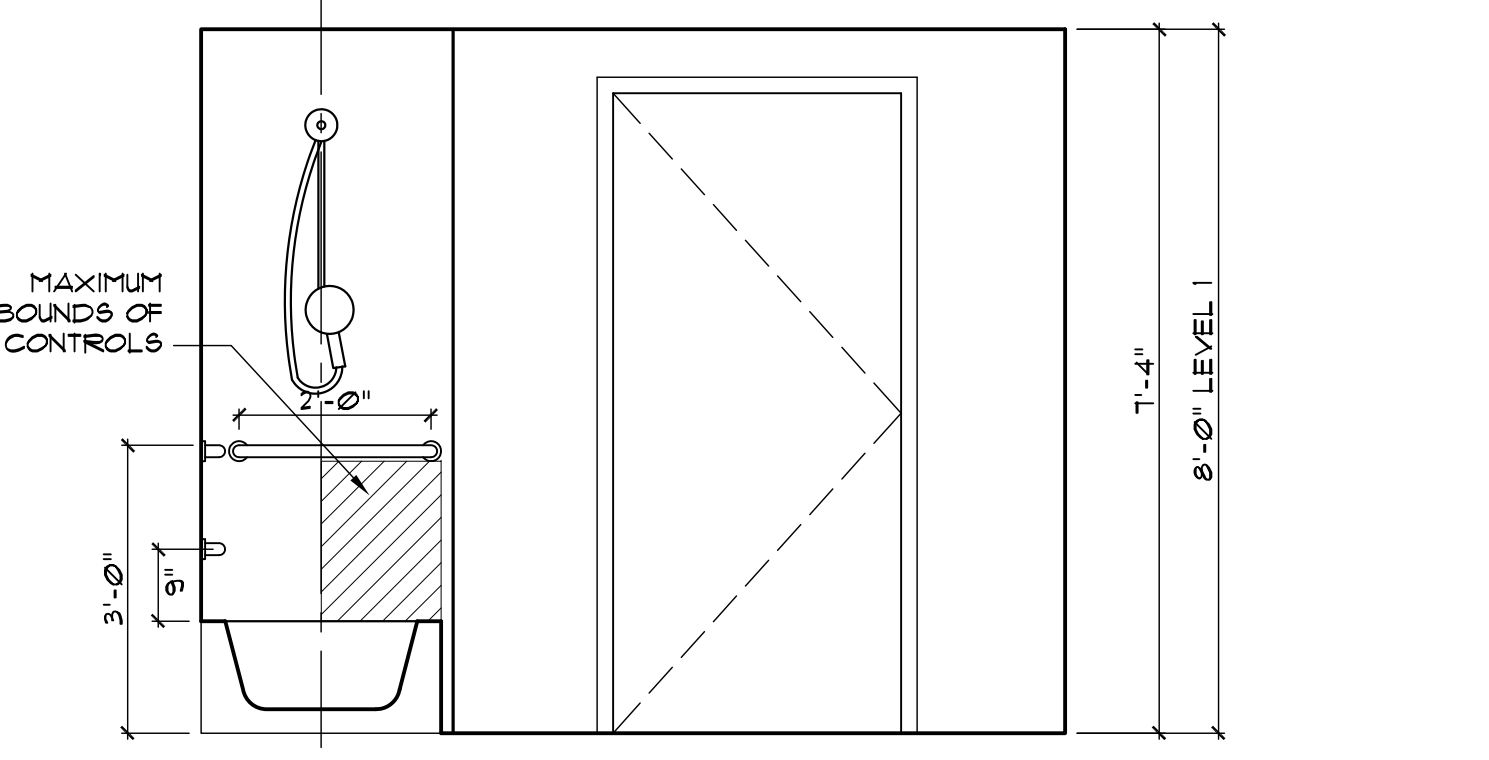
3 ADA GUEST BATH
SCALE: 1/2"=1'-0"



12 ELEVATION
SCALE: 1/2"=1'-0"



13 ELEVATION
SCALE: 1/2"=1'-0"



14 ELEVATION
SCALE: 1/2"=1'-0"

PROJECT
PORTLAND HILTON GARDEN INN ADDITION

LOCATION
PORTLAND
145 JETPORT BLVD
PORTLAND, MAINE 04102

ARCHITECT
hc
hogan campis architecture
1425 DUTCH VALLEY PL STUDIO B ATLANTA GA 30324
404 685 8868 V 404 685 8878 F WWW.HCARCH.NET

STAMP
LICENSED ARCHITECT
THOMAS J. HOGAN JR.
ARC3864
STATE OF MAINE

ISSUED FOR: DATE:

REVIEW JULY 20, 2012

PRICING JULY 20, 2012

PERMITTING JAN 30, 2013

CONSTRUCTION

REVISIONS

THIS DRAWING IS THE PROPERTY OF HC ARCHITECTURE, INC. AND IS NOT TO BE REPRODUCED OR COPIED IN WHOLE OR IN PART. IT IS ONLY TO BE USED FOR THE PROJECT SPECIFICALLY IDENTIFIED HEREIN AND IS NOT TO BE USED ON ANY OTHER PROJECT. IT IS TO BE RETURNED UPON REQUEST. SCALES AS STATED HEREIN ARE VALID ON THE ORIGINAL DRAWING. THE DIMENSIONS OF WHICH ARE 30x42 INCHES.

JOB NO.
0479.000

DRAWING TITLE
ENLARGED BATHROOM PLANS AND ELEVATIONS

SHEET NO.
4A-2

© 2011 hc architecture, inc.