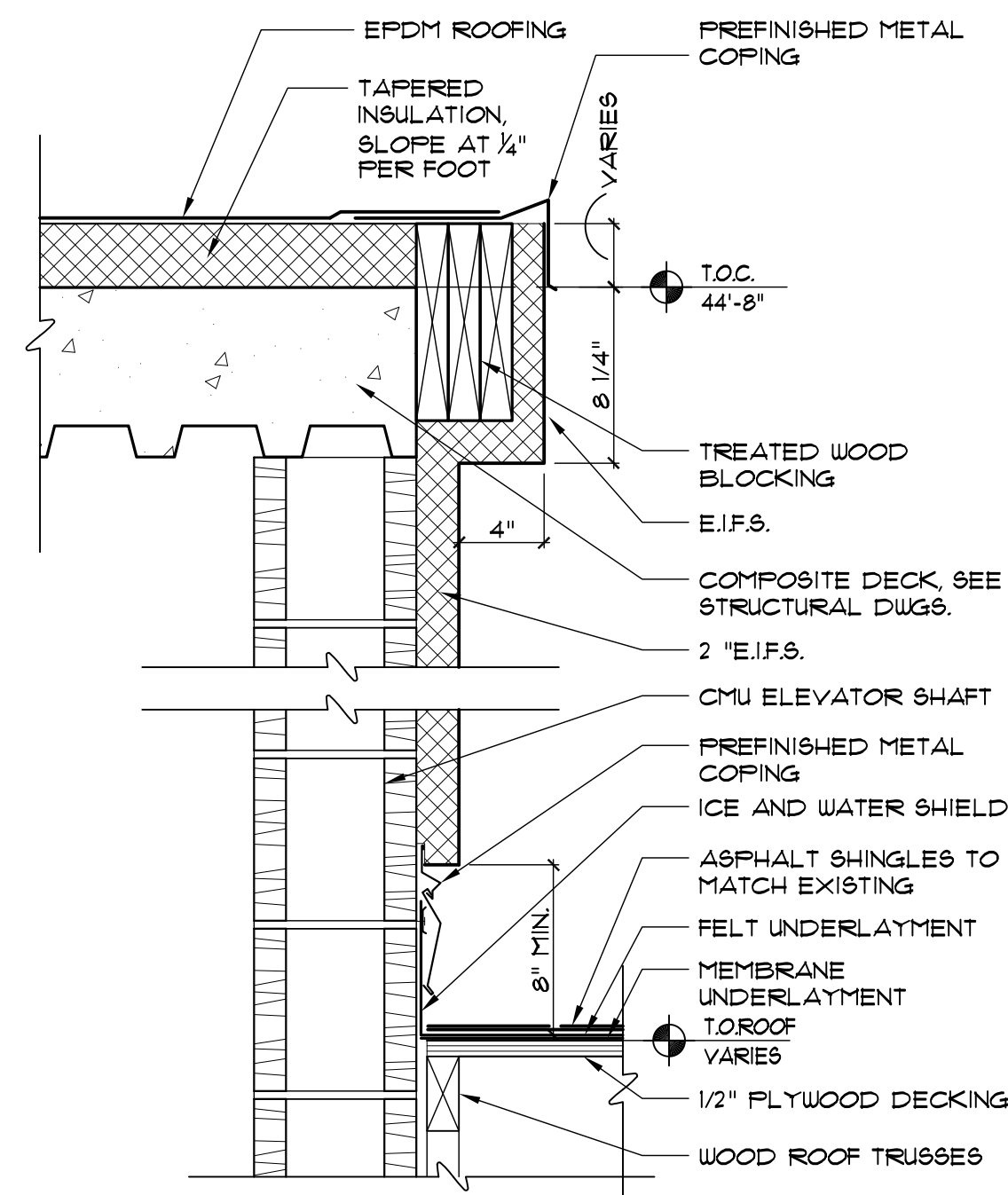
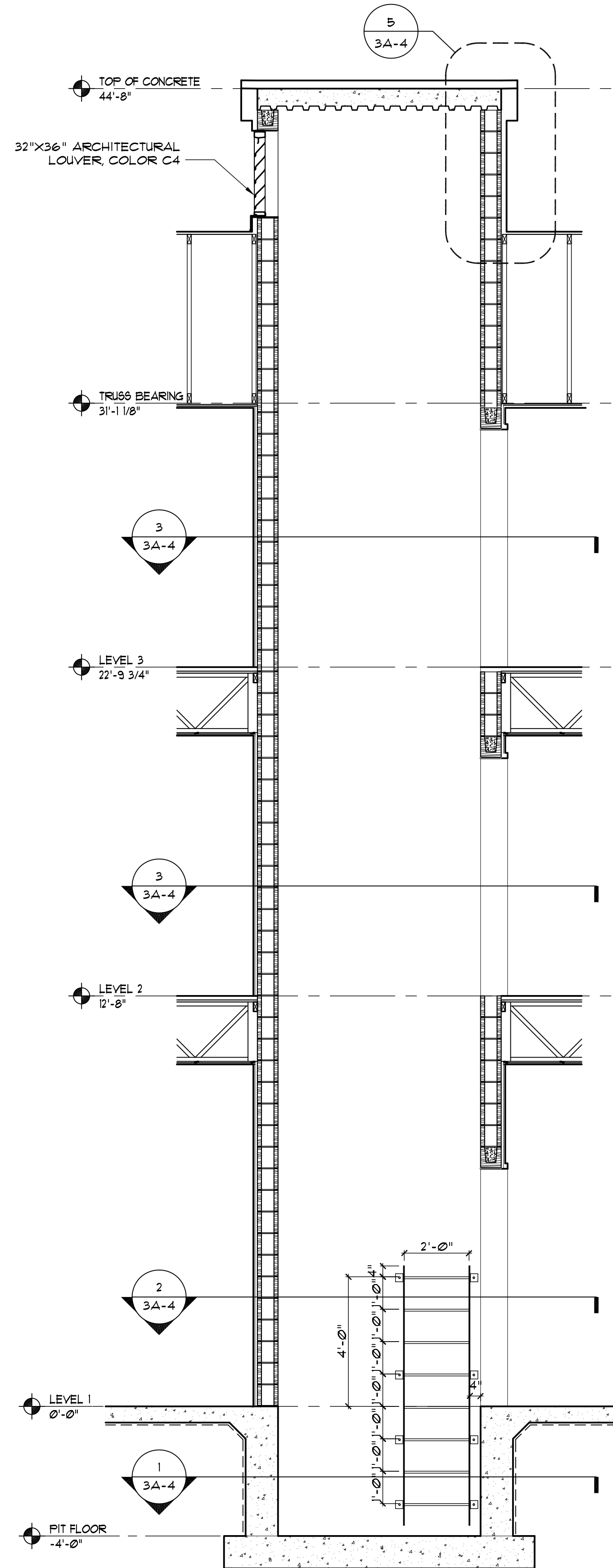


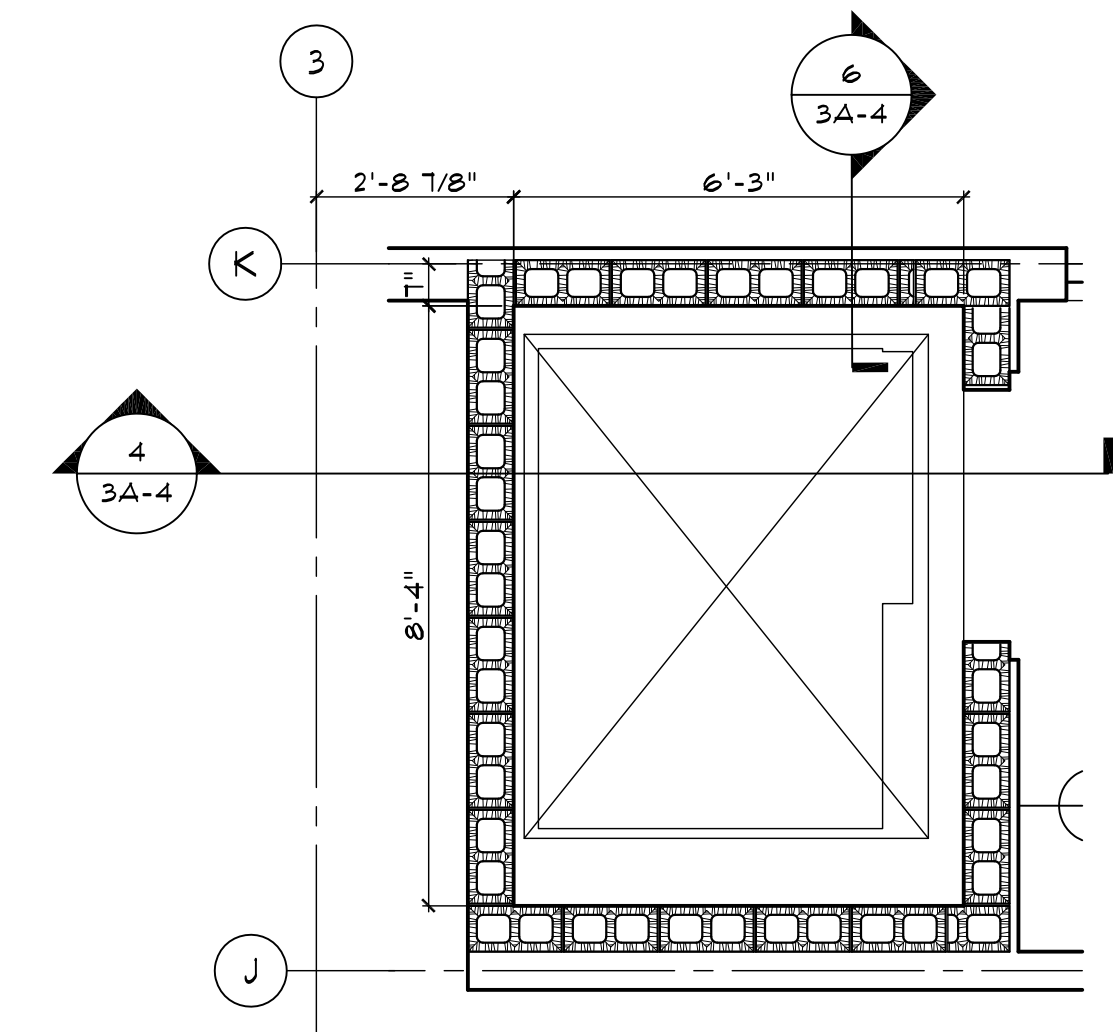
6 SECTION DETAIL
SCALE: 1 1/2"=1'-0"



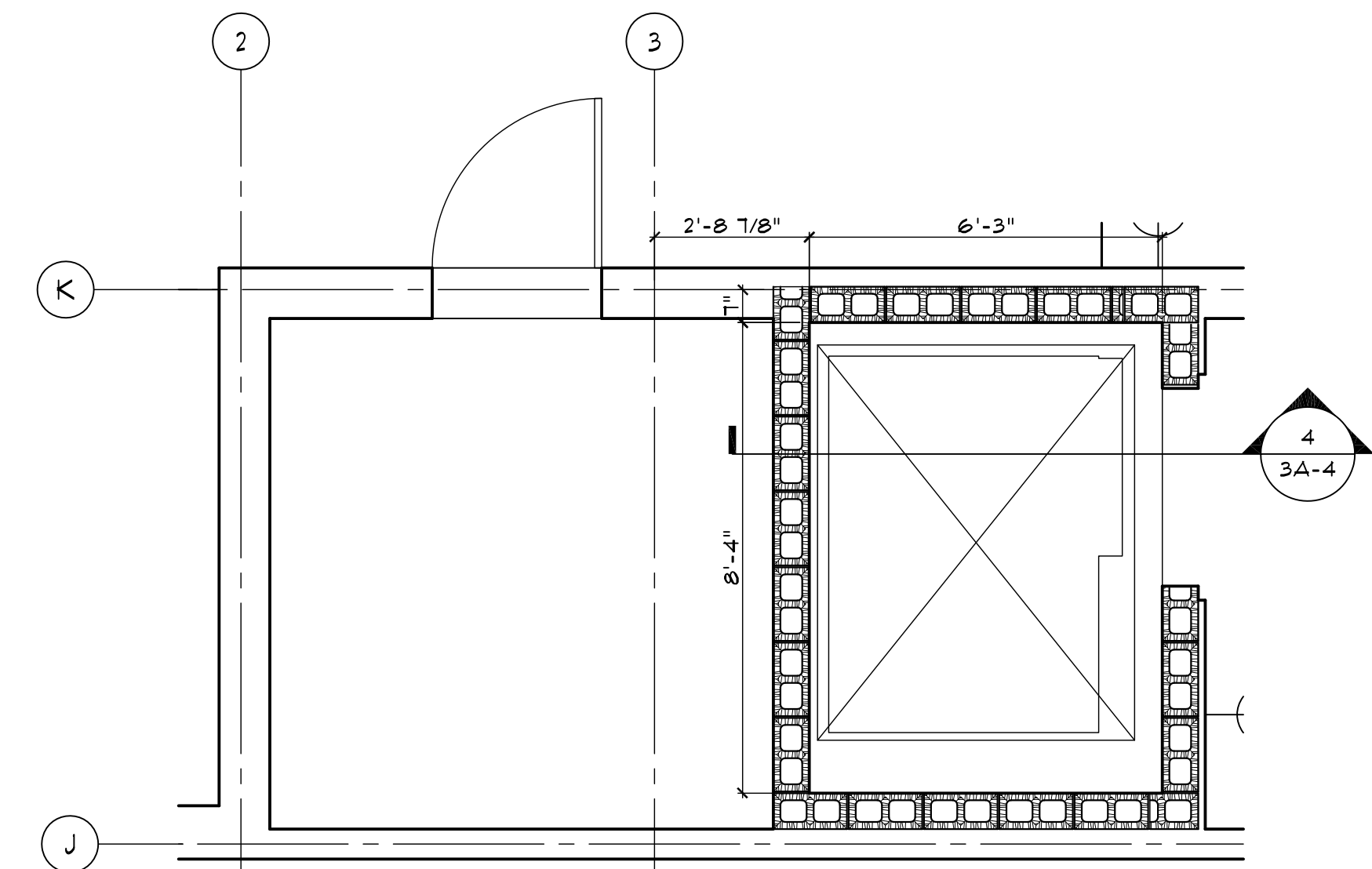
5 SECTION DETAIL
SCALE: 1 1/2"=1'-0"



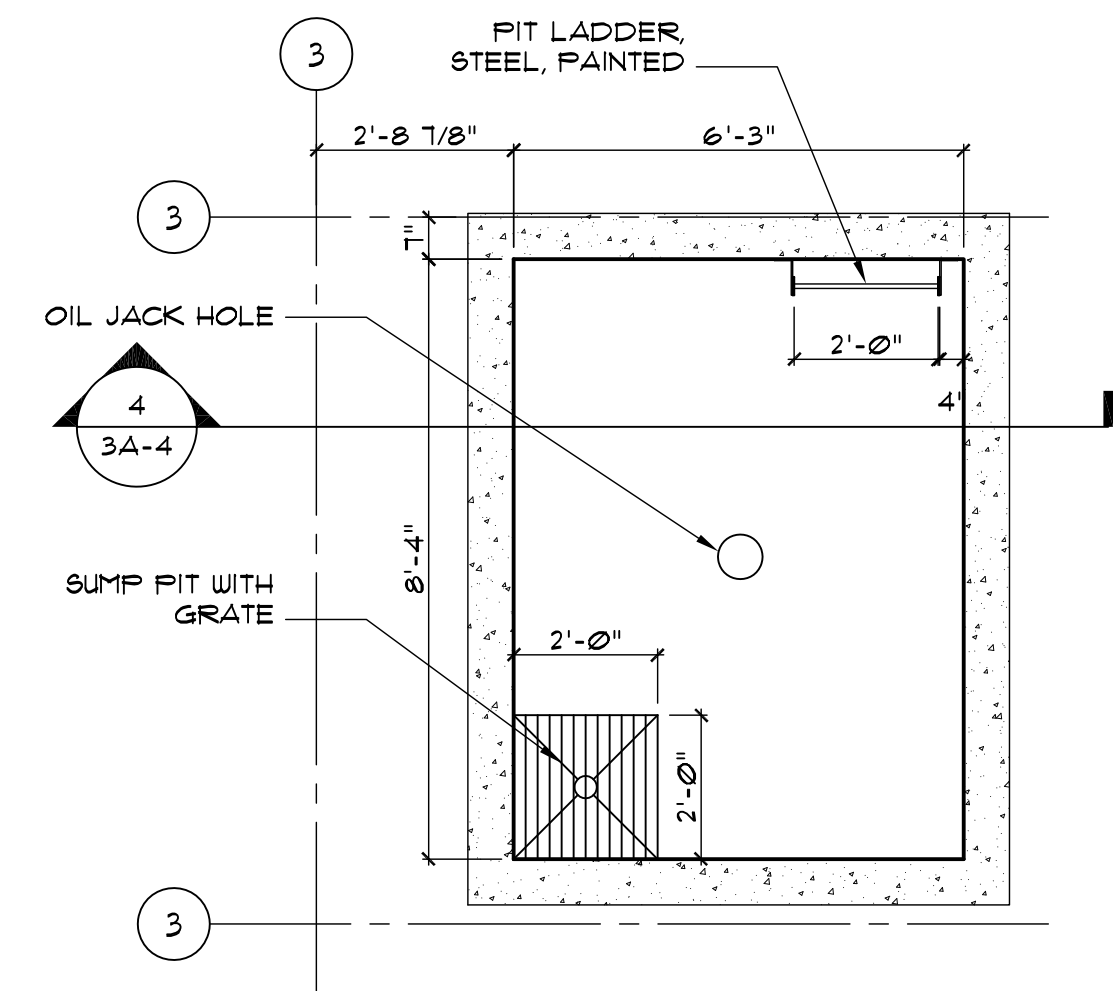
4 ELEVATOR SECTION
SCALE: 3/8"=1'-0"



3 LEVEL 2/3 ELEVATOR PLAN
SCALE: 3/8"=1'-0"



2 LEVEL 1 ELEVATOR PLAN
SCALE: 3/8"=1'-0"



1 ELEVATOR PIT PLAN
SCALE: 3/8"=1'-0"

PROJECT

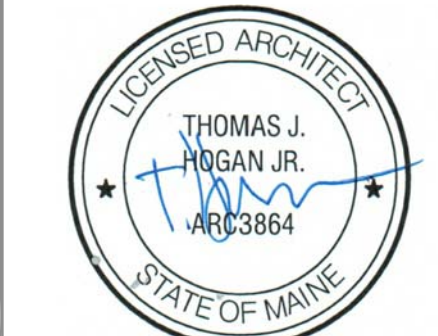
**PORTLAND
HILTON GARDEN
INN ADDITION**

LOCATION

PORTLAND
145 JETPORT BLVD
PORTLAND, MAINE 04102

ARCHITECT

hc
hogan campis architecture
1425 DUTCH VALLEY PL STUDIO B ATLANTA GA 30324
404 685 8868 V 404 685 8878 F WWW.HCARCH.NET



STAMP

ISSUED FOR: DATE:

REVIEW JULY 20, 2012
PRICING JULY 20, 2012
PERMITTING JAN 30, 2013
CONSTRUCTION

REVISIONS

THIS DRAWING IS THE PROPERTY OF HC ARCHITECTURE, INC. AND IS NOT TO BE REPRODUCED OR COPIED IN WHOLE OR IN PART. IT IS ONLY TO BE USED FOR THE PROJECT SPECIFICALLY IDENTIFIED HEREIN AND IS NOT TO BE USED ON ANY OTHER PROJECT. IT IS TO BE RETURNED UPON REQUEST. SCALES AS STATED HEREIN ARE VALID ON THE ORIGINAL DRAWING. THE DIMENSIONS OF WHICH ARE 30x42 INCHES.

JOB NO.

0479.000

DRAWING TITLE

**ELEVATOR
PLANS AND
DETAILS**

SHEET NO.

3A-4