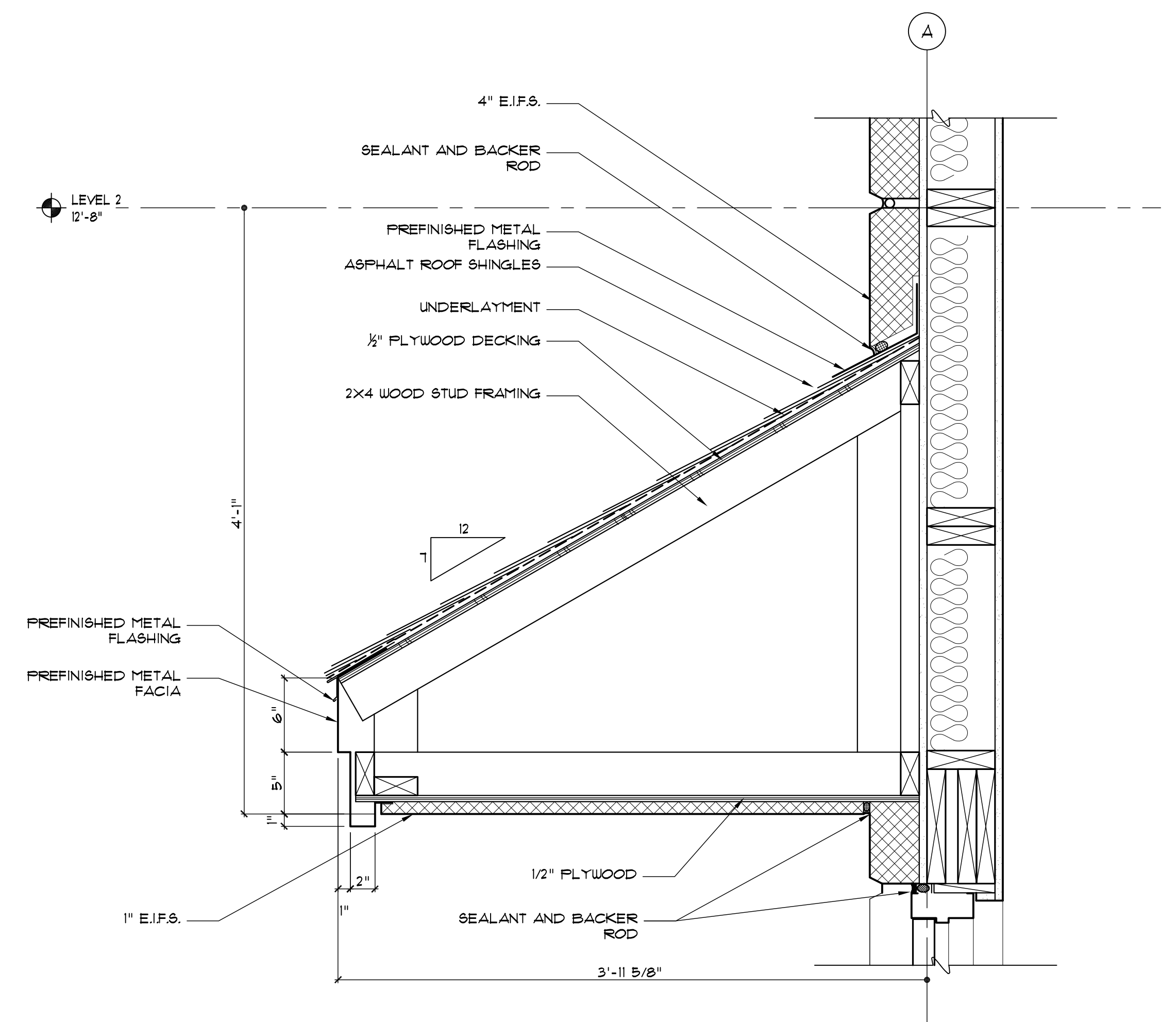
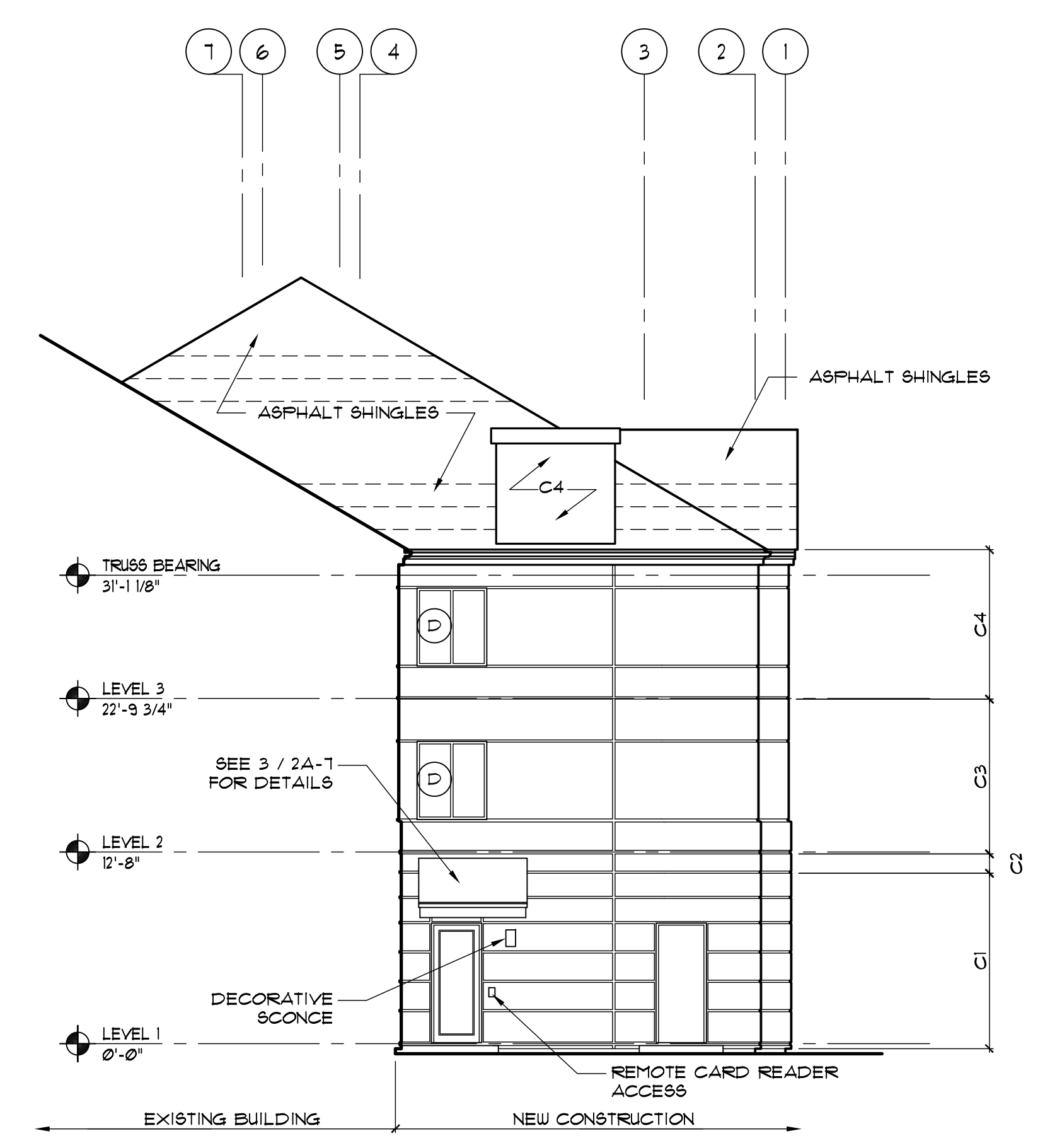


THIS DRAWING IS THE PROPERTY OF HC ARCHITECTURE, INC. AND IS NOT TO BE REPRODUCED OR COPIED IN WHOLE OR IN PART. IT IS ONLY TO BE USED FOR THE PROJECT SPECIFICALLY IDENTIFIED HEREIN AND IS NOT TO BE USED ON ANY OTHER PROJECT. IT IS TO BE RETURNED UPON REQUEST. SCALES AS STATED HEREIN ARE VALID ON THE ORIGINAL DRAWING. THE DIMENSIONS OF WHICH ARE 30x42 INCHES.



3 AWNING SECTION
SCALE 1 1/2"=1'-0"

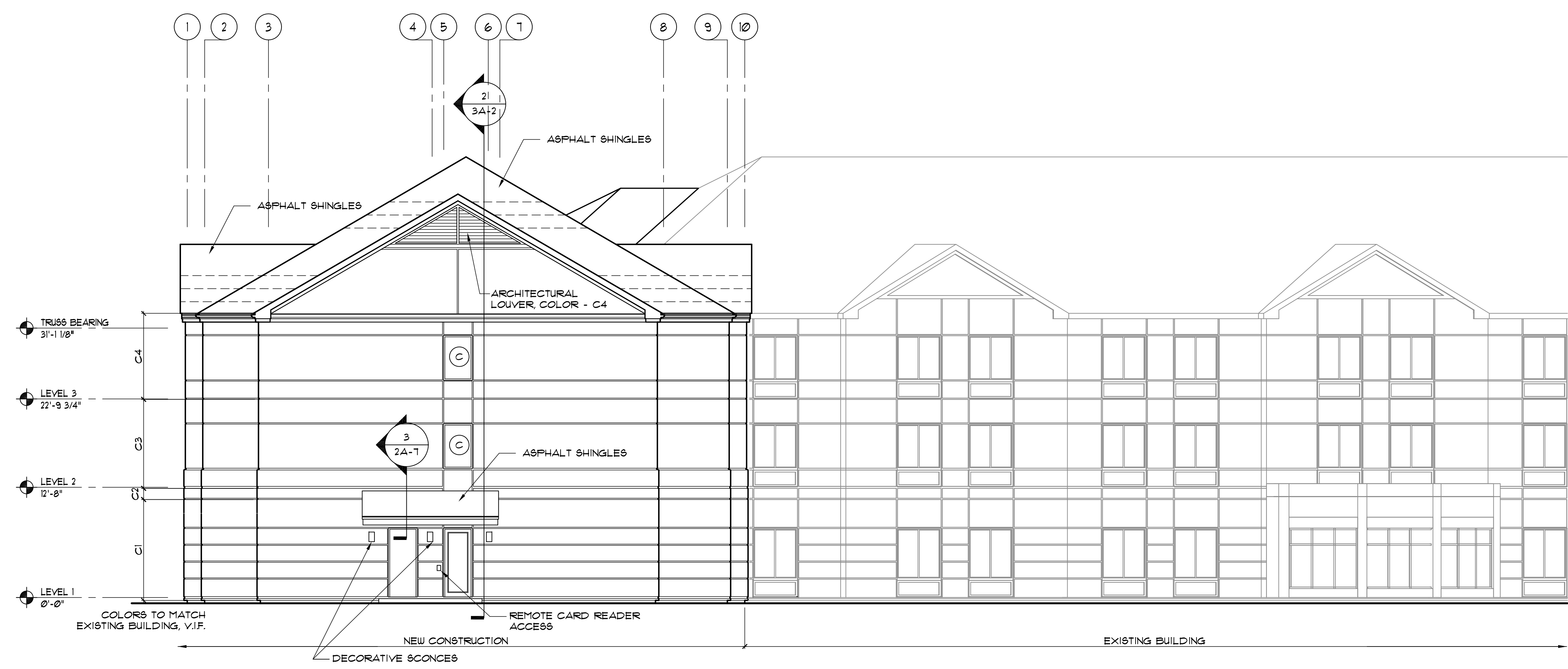


1 NORTH ELEVATION
SCALE 1/8"=1'-0"

EIF.S. COLOR SCHEDULE	
C1 = VAN DYKE	#310
C2 = SPECTRUM BROWN	#542
C3 = WHISPER	#319A
C4 = CHINA WHITE	#310

COLORS ARE REFERENCED FROM "DRYVIT" STANDARD COLORS. COLORS TO MATCH EXISTING BUILDING V.I.F.

ALL FLUSH DOOR AND MISCELLANEOUS MECHANICAL LOUVERS ARE TO BE PAINTED TO MATCH SURROUNDING EIF.S.



2 SOUTH ELEVATION
SCALE 1/8"=1'-0"