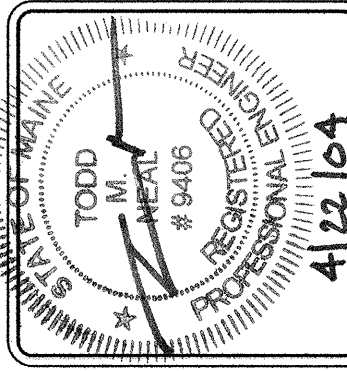
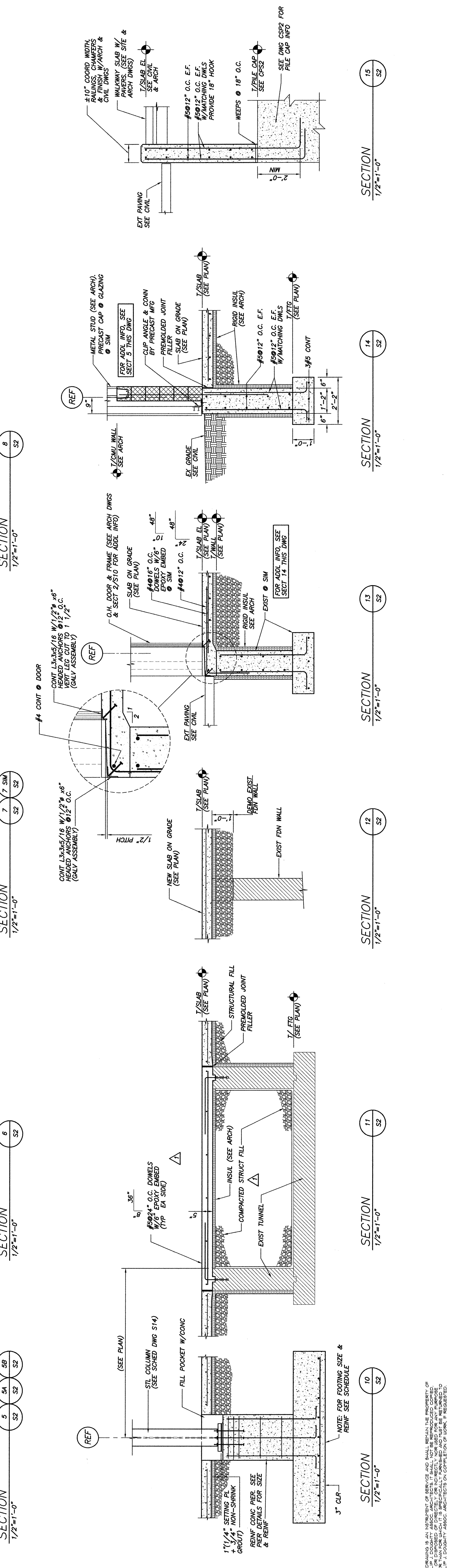
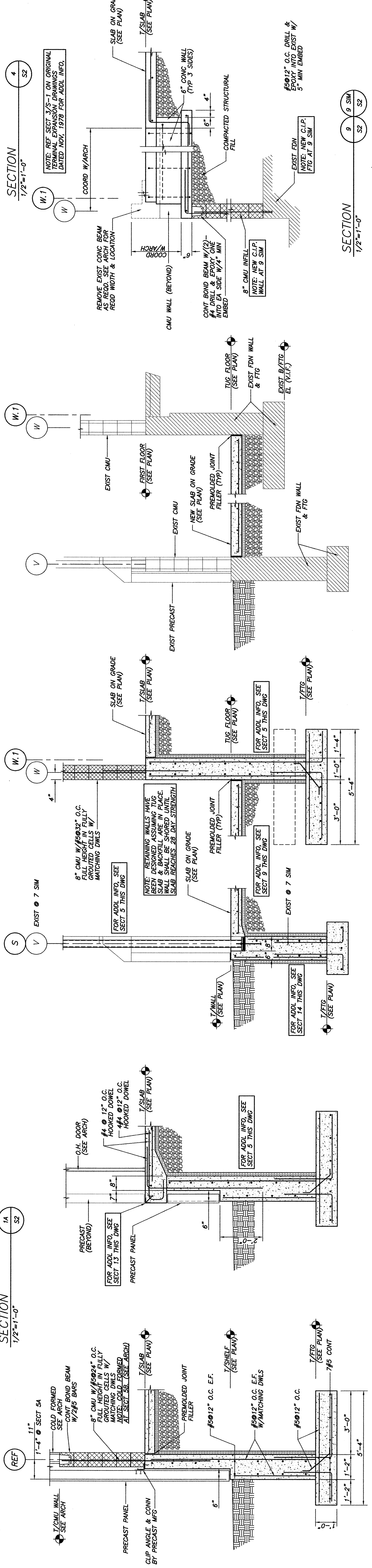
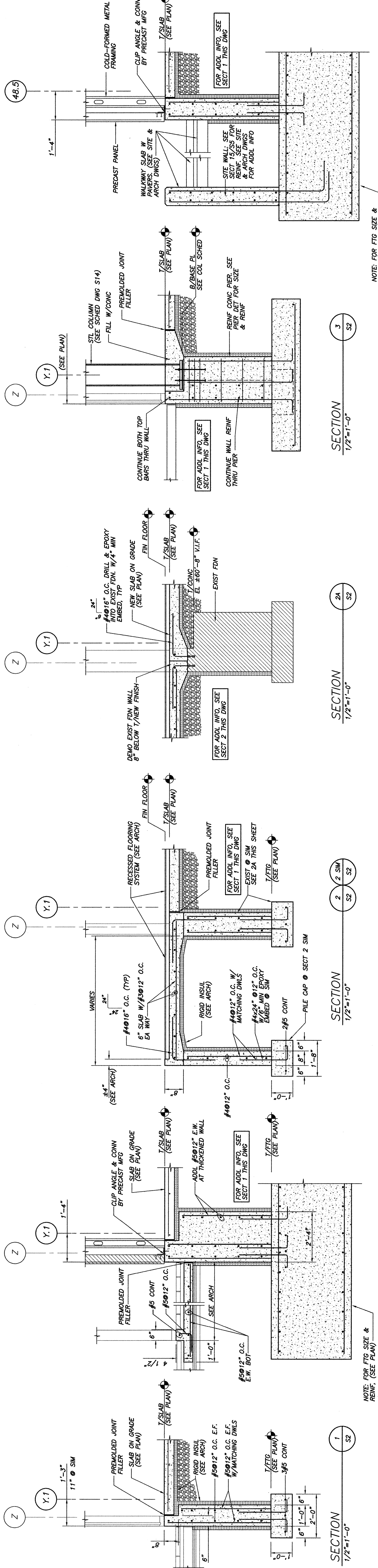
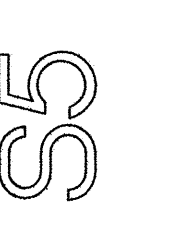


REVISION	DATE	DESCRIPTION	BY	CHKD	APPV
1	4/22/04	CONFORMED DRAWINGS ISSUED FOR CONSTRUCTION	APP	TNN	APP
2	3/6/04		APP	TNN	APP
3	FEB 28, 2004		APP	TNN	APP



PHILLIP J. DOUGHTY ASSOC., ARCHITECTS
302 U.S. ROUTE ONE, FALMOUTH, MAINE 04105 • 207.781.5346

DATE:	SCALE:	DRAWING NO.:	SHEET NO.:
FEB 29, 2004	1/2" = 1'-0"	206	9



THIS DRAWING IS AN INSTRUMENT OF SERVICE AND SHALL REMAIN THE PROPERTY OF PHILLIP J. DOUGHTY ASSOCIATES, ARCHITECTS. IT IS TO BE USED ONLY FOR THE PROJECT AND SITE SPECIFICALLY IDENTIFIED HEREON. IT IS NOT TO BE REPRODUCED, COPIED, OR TRANSMITTED IN ANY FORM OR BY ANY MEANS, ELECTRONIC OR MECHANICAL, INCLUDING PHOTOCOPYING, RECORDING, OR BY ANY INFORMATION STORAGE AND RETRIEVAL SYSTEM, WITHOUT THE WRITTEN PERMISSION OF PHILLIP J. DOUGHTY ASSOCIATES, ARCHITECTS. IN WITNESS WHEREOF, I HAVE HEREON SET MY HAND AND SEAL AT PORTLAND, MAINE, ON FEBRUARY 29, 2004.