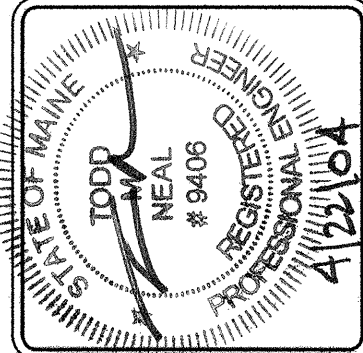


BECKER
Structural engineers, inc.
75 York Street
Portland, ME 04101-4701
Tel: 207-879-1838
Fax: 207-879-1822
www.beckerstructural.com

PHILLIP J. DOUGHTY ASSOC. ARCHITECTS
362 U.S. ROUTE ONE, FALMOUTH, MAINE 04105 • 207.781.5348

| REVISION | DESCRIPTION | DRAWN | CHECKED | APPROVED | DATE |
|----------|---|-------|---------|----------|-------------|
| 1 | CONCRETE DRAWINGS ISSUED FOR CONSTRUCTION | APP | TRN | TRN | 4/23/04 |
| 2 | REV SUBMITTAL | APP | TRN | TRN | FEB 23 2004 |



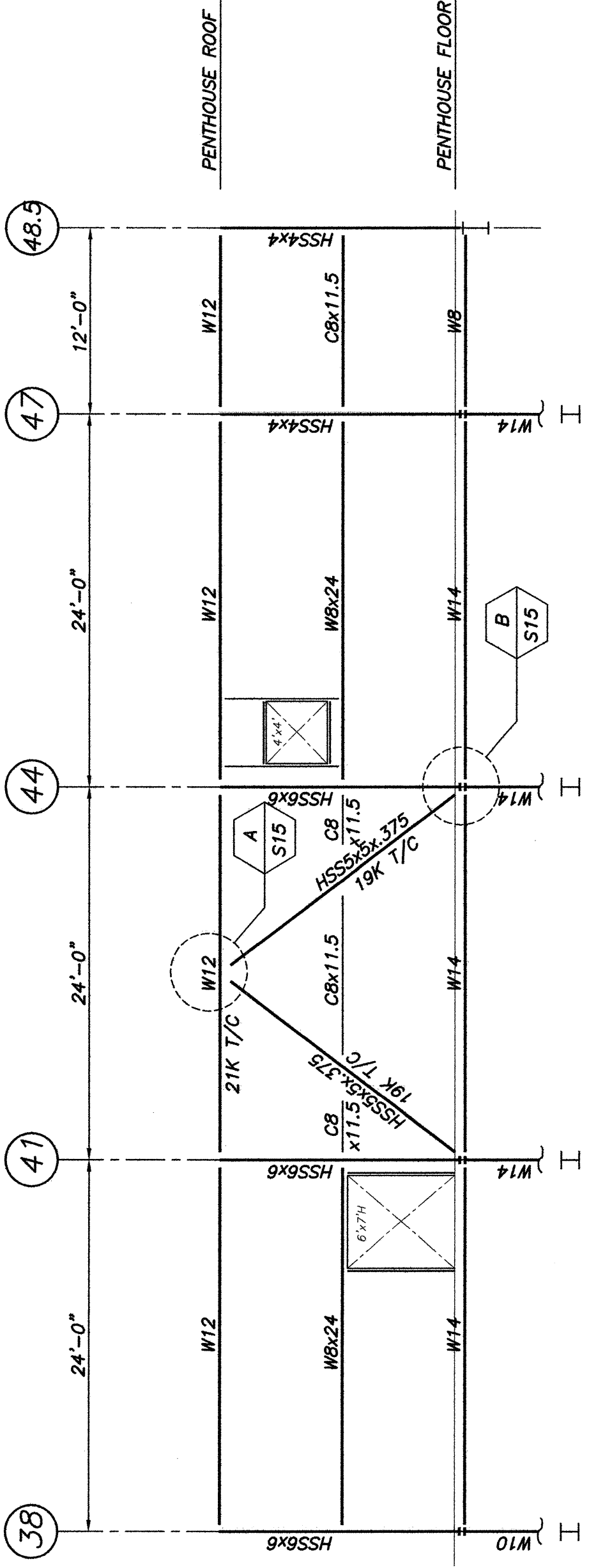
PHILLIP J. DOUGHTY ASSOC. ARCHITECTS
362 U.S. ROUTE ONE, FALMOUTH, MAINE 04105 • 207.781.5348

ADDITIONS AND ALTERATIONS
EASTERLY EXPANSION OF BAGGAGE CLAIM FACILITY
PORTLAND INTERNATIONAL AIRPORT, PORTLAND, MAINE
BRACING ELEVATIONS & DETAILS

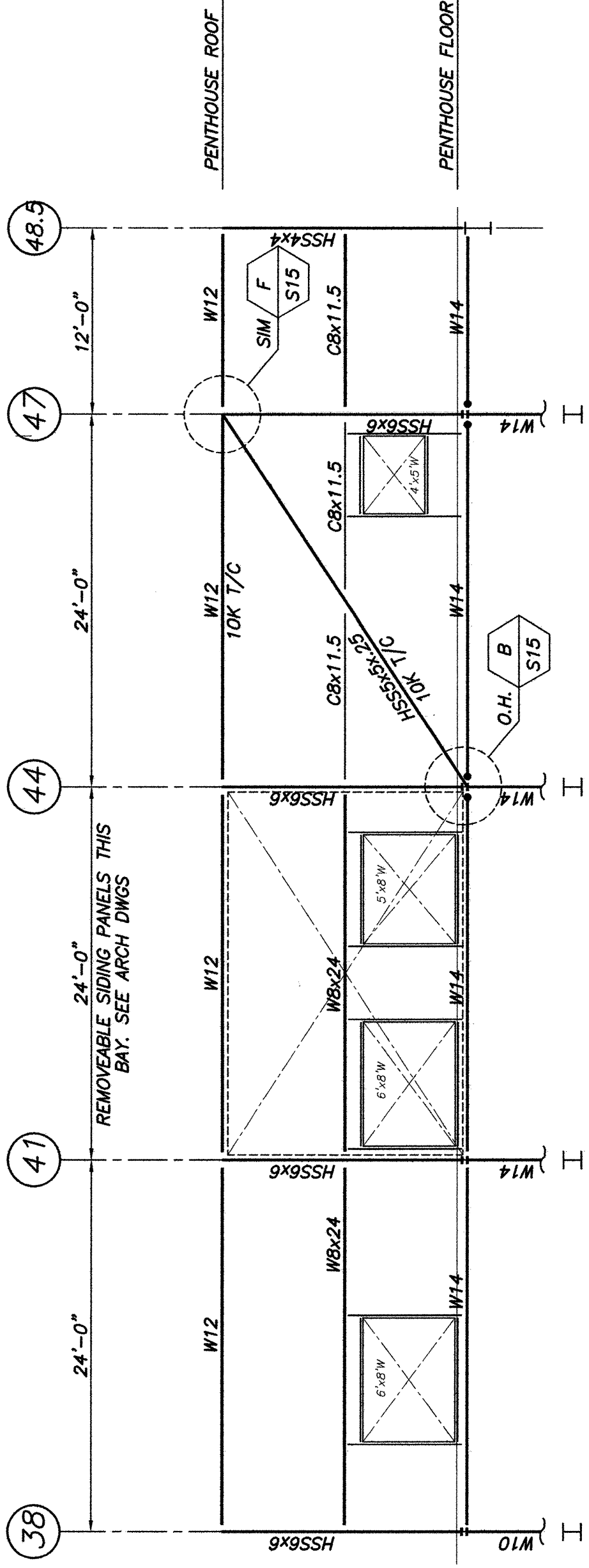
SCALE: NOTED
DATE: FEB 23 2004
DESIGNER: JPD
CHECKED: JPD
APPROVED: JPD

SHEET NO. 806
PLOT

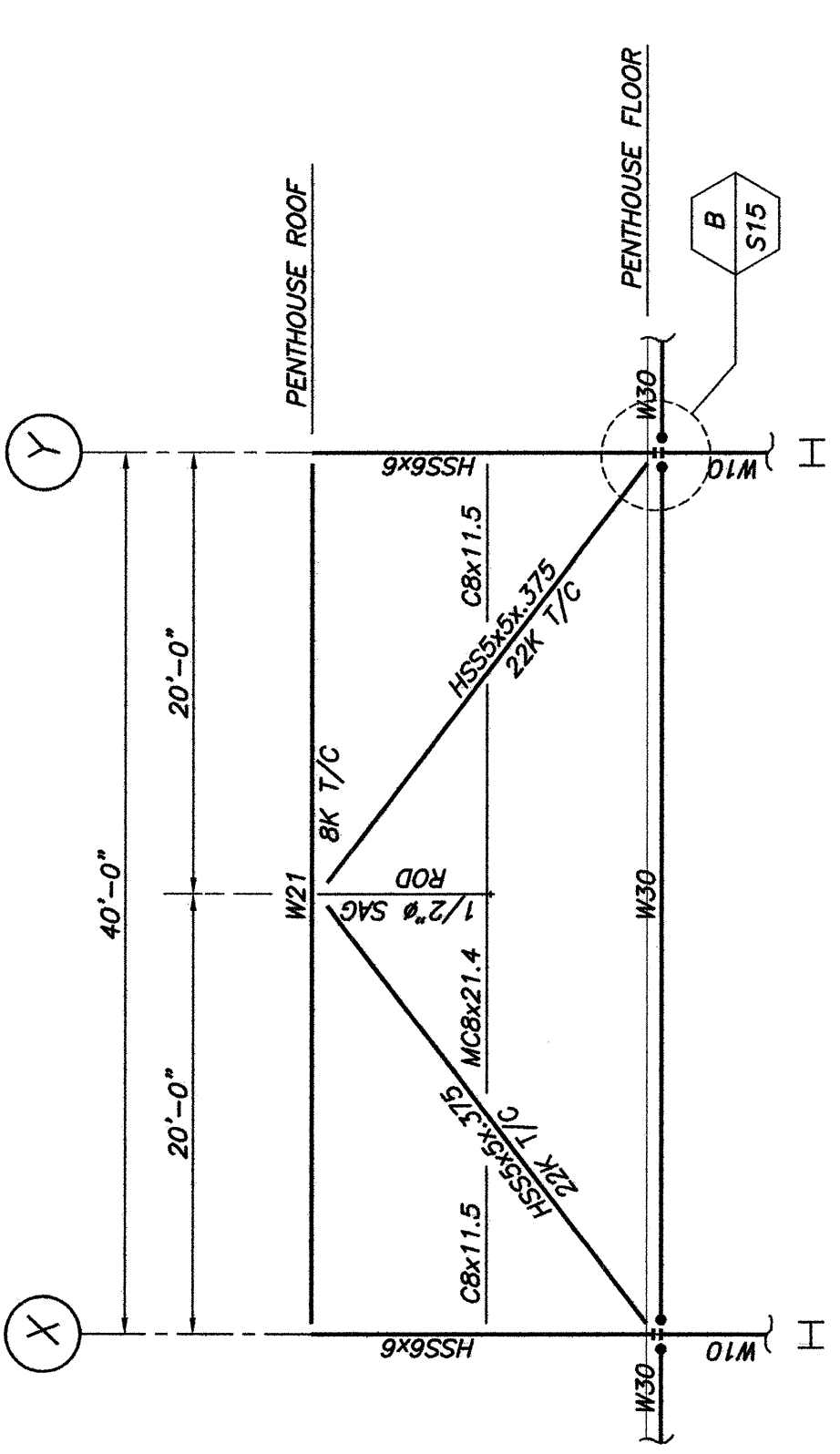
813



BF-3 AT X LINE



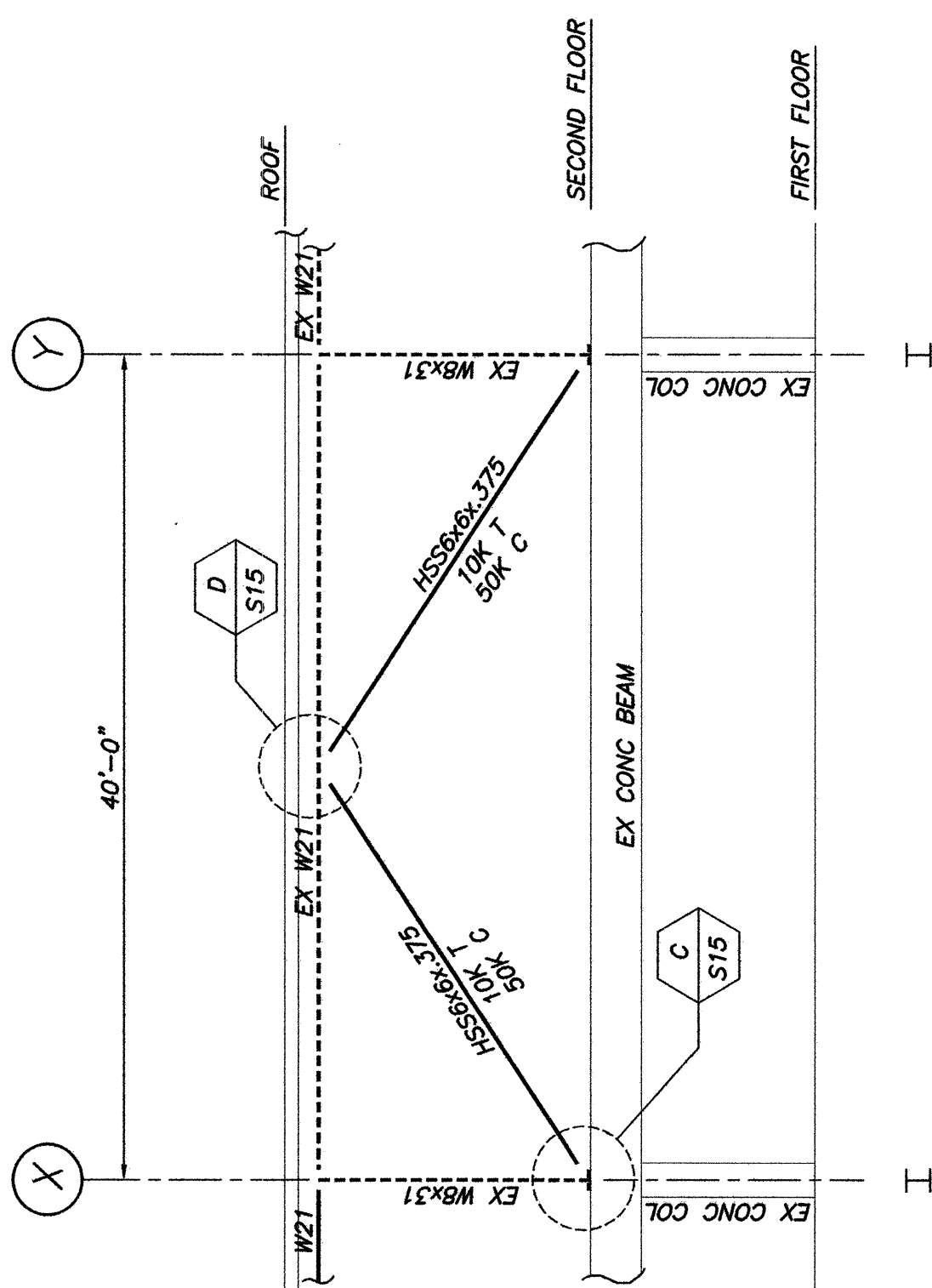
BF-4 AT Y LINE



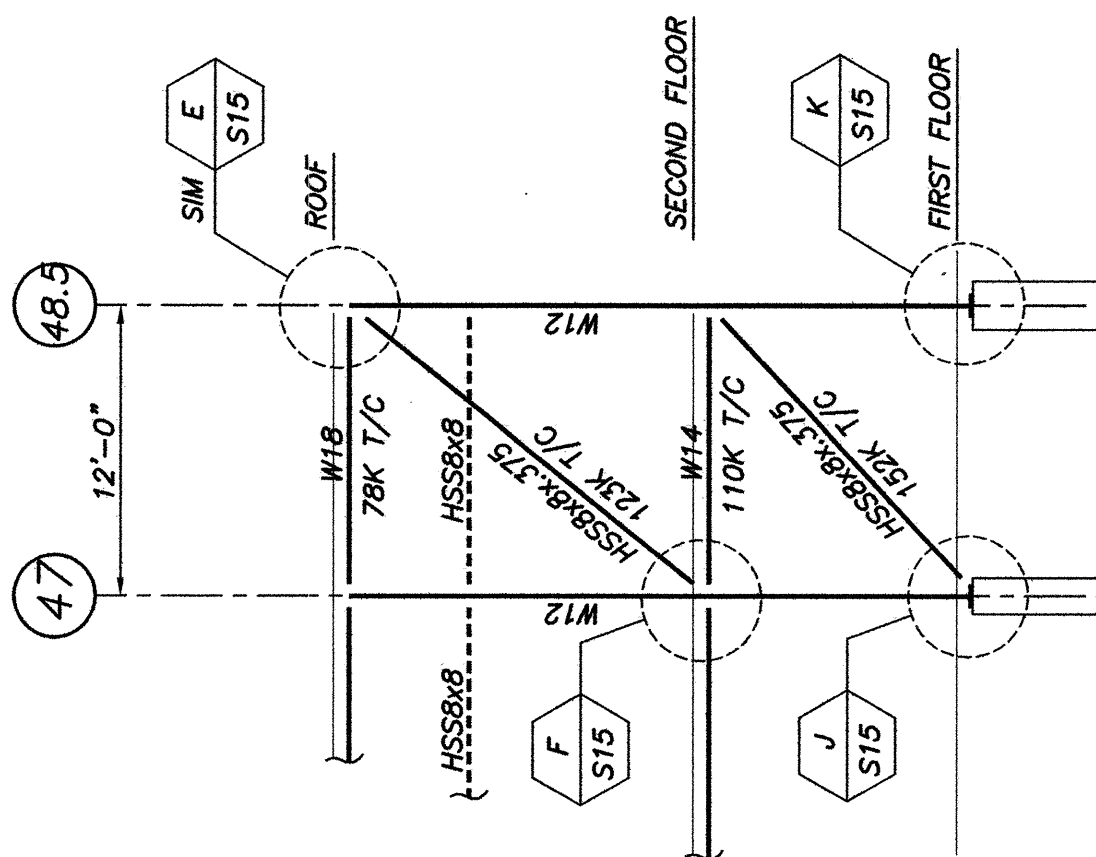
BF-2 AT 38 LINE

BRACING ELEVATIONS
1/8"=1'-0"

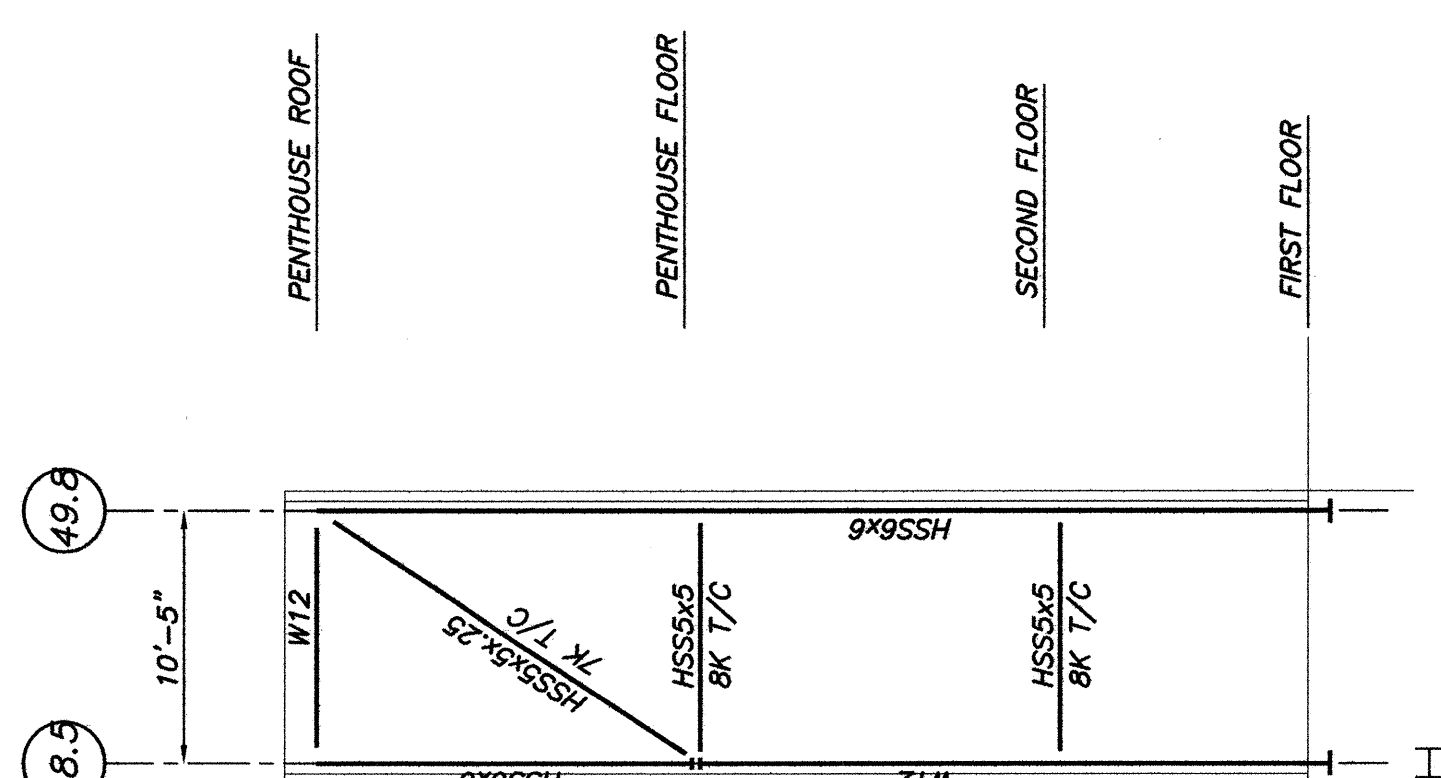
- 1. T/C INDICATES TENSION OR COMPRESSION FORCE
- 2. C.C. SHALL COORD FINAL LOUVER SIZES & LOCATIONS W/ARCH & MECH.



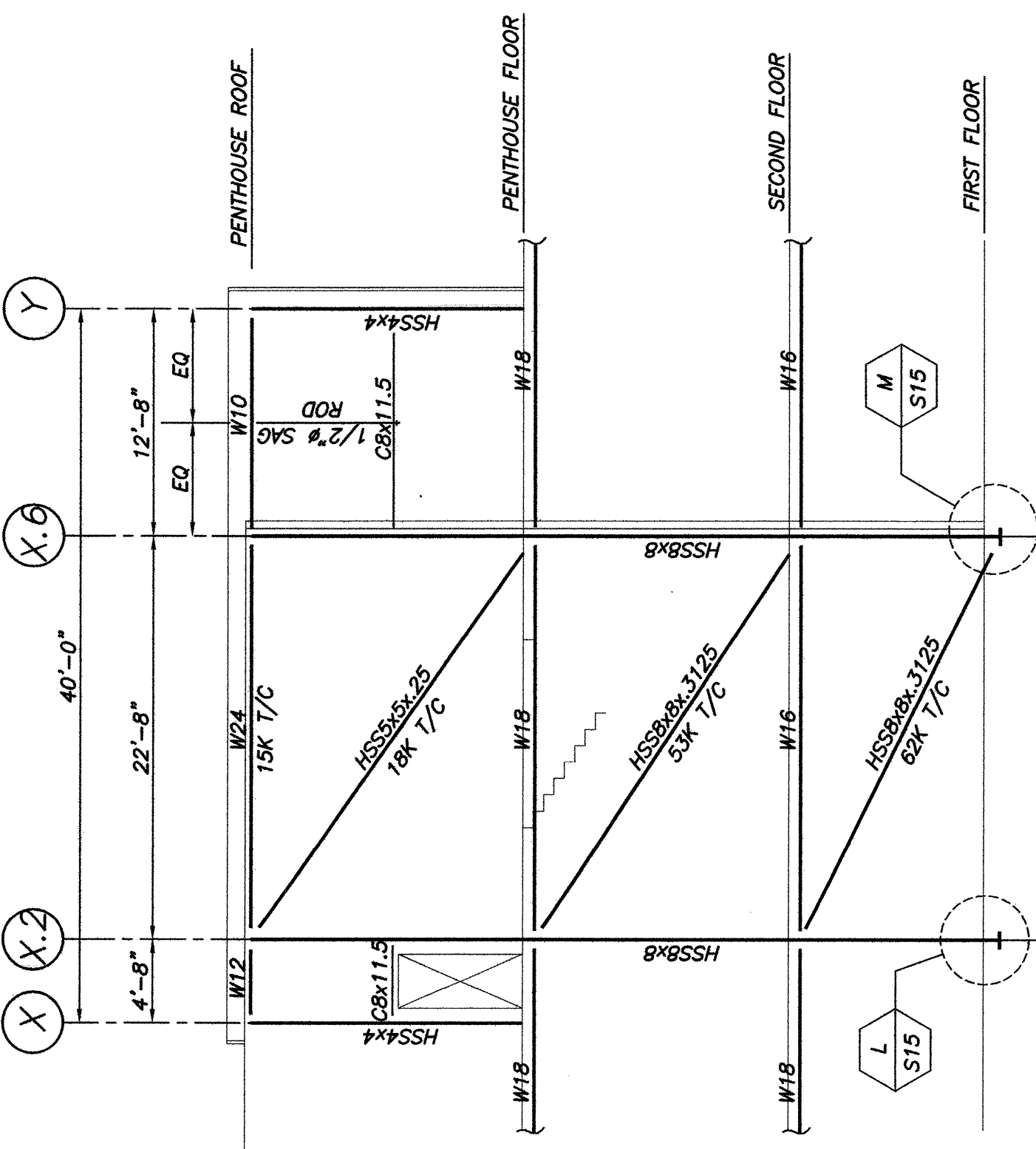
BF-7 AT 29 LINE



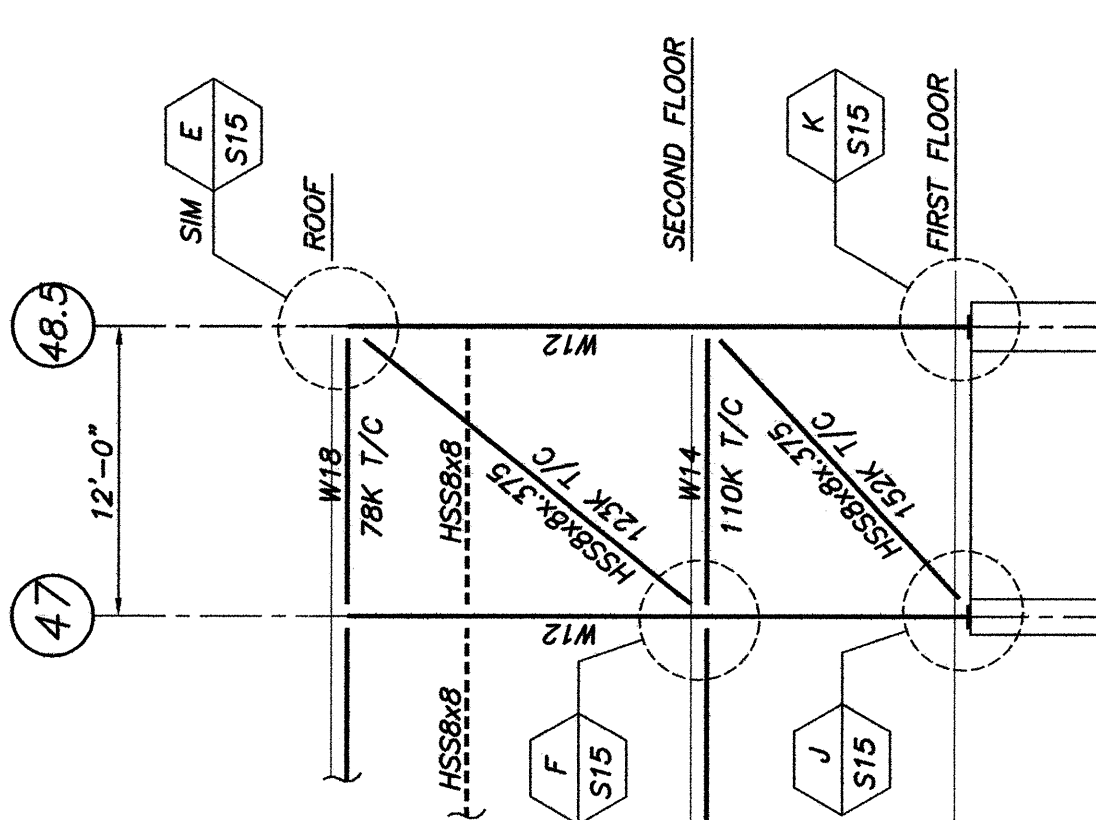
BF-6 AT W.1 LINE



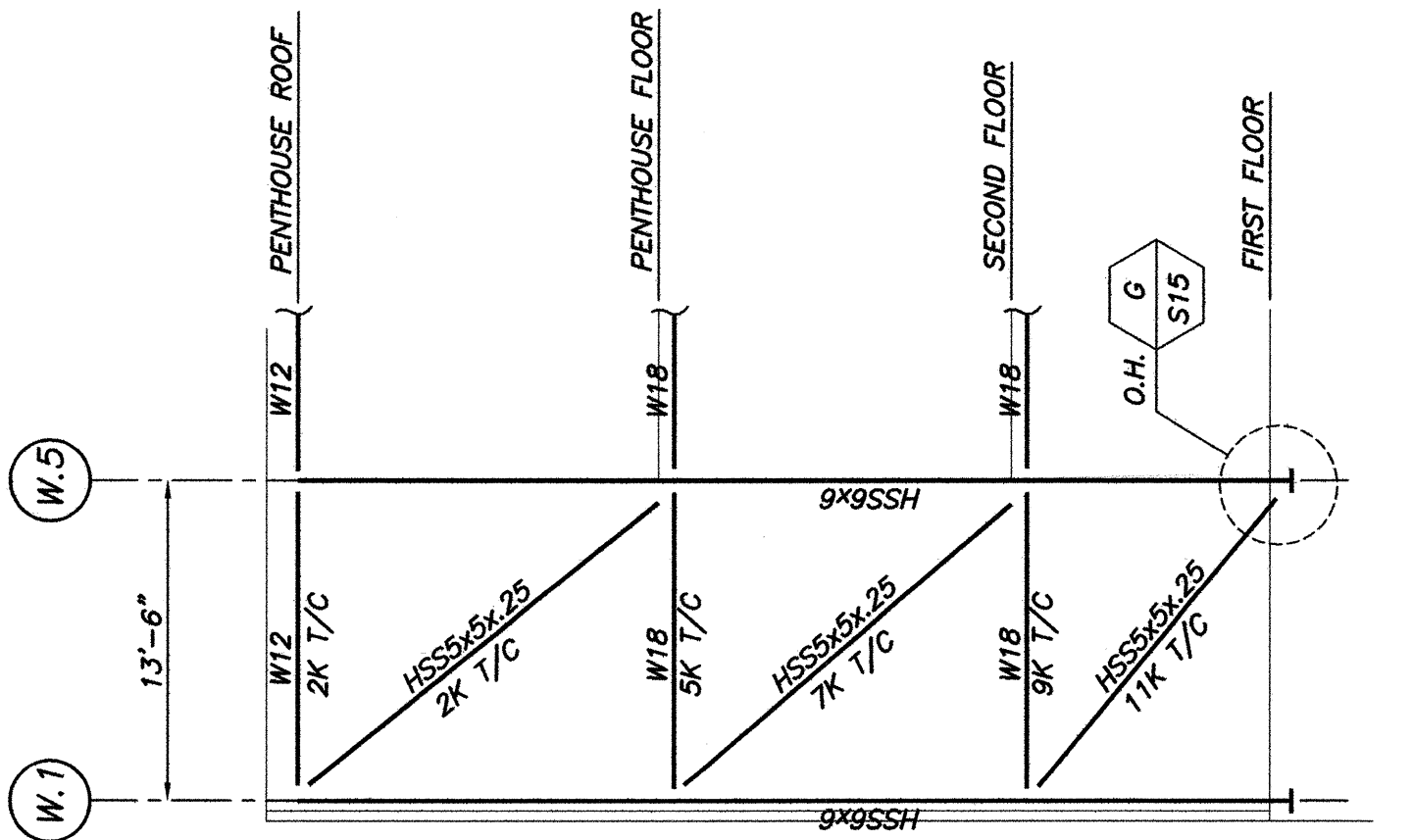
BF-10 AT W.1 LINE



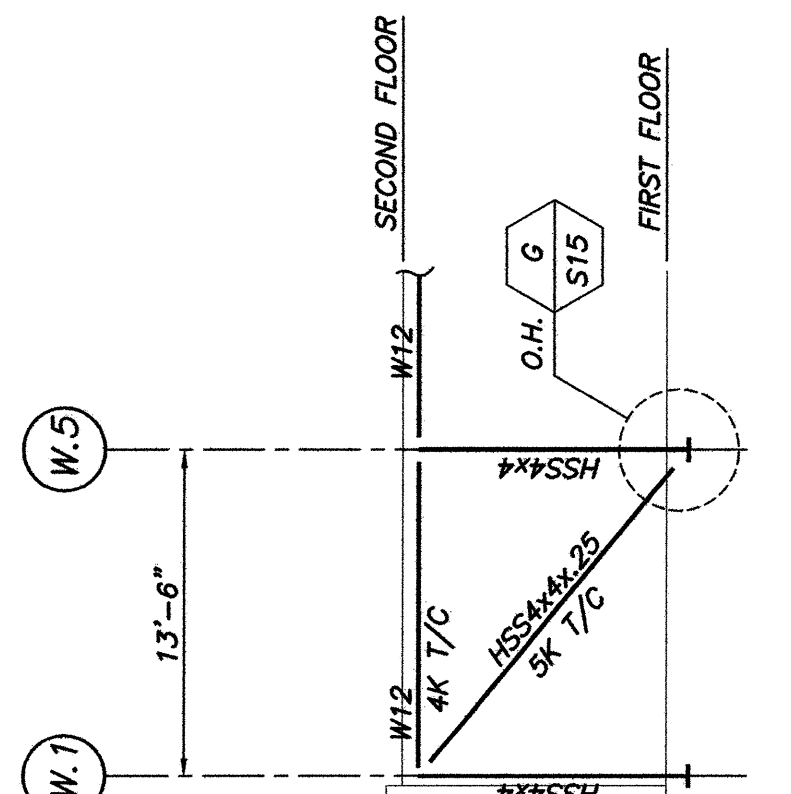
BF-1 AT 48.5 LINE



BF-5 AT Y.1 LINE



BF-9 AT 49.8 LINE



BF-8 AT 51.9 LINE