

REVISION	DATE	APPROVED	DESCRIPTION
1	4/22/04	APR 04	CONCRETE DRAWINGS ISSUED FOR CONSTRUCTION
2	FEB 29 2004	APR 04	END SUBMITTAL

PHILIP J. DOUGHTY ASSOC., ARCHITECTS
362 U.S. ROUTE ONE, FAIMOUTH, MAINE 04105 • 207.781.9346

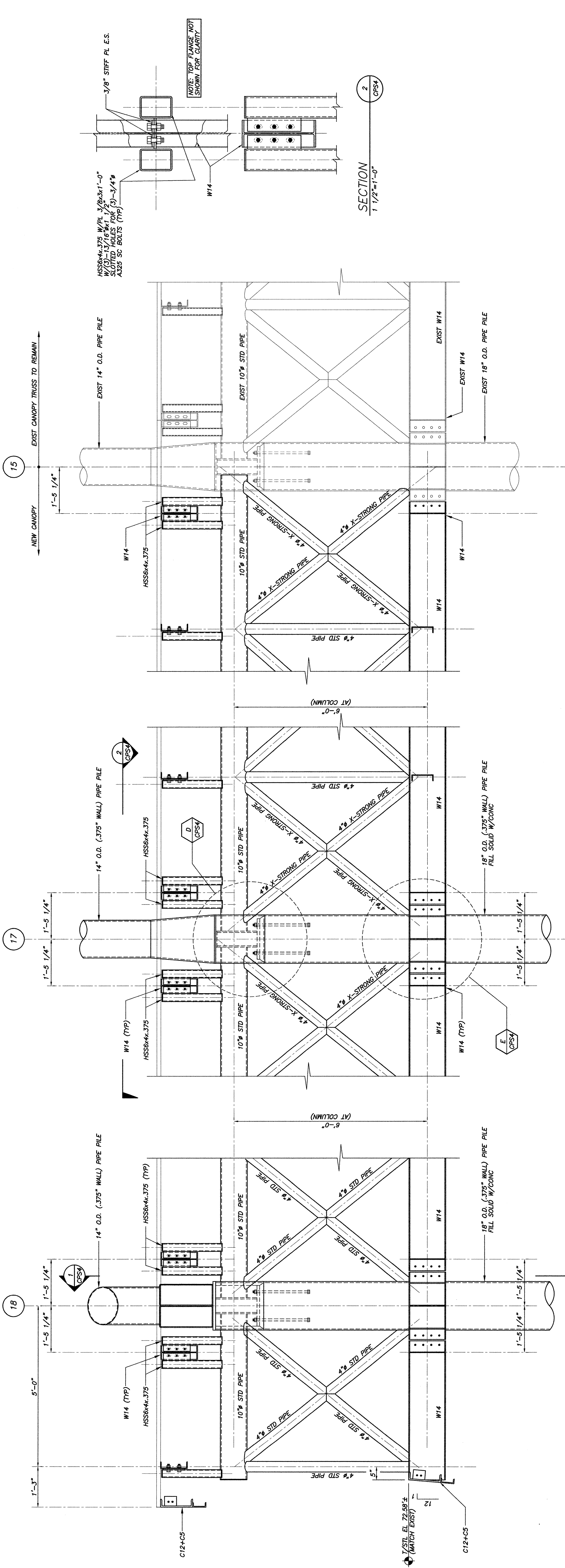
APPROVED: _____
CHECKED: _____
DESIGNED BY: _____
DATE: FEB 29 2004

SCALE: 1/8" = 1'-0"

PORTLAND INTERNATIONAL BAGGAGE CLAIM FACILITY
ADDITONS AND ALTERATIONS
CANOPY FRAMING SECTIONS AND DETAILS

SHEET NO. _____
DATE: _____
SCALE: _____

CPS4



SECTION 1 1'-2" = 1'-0" CPS4

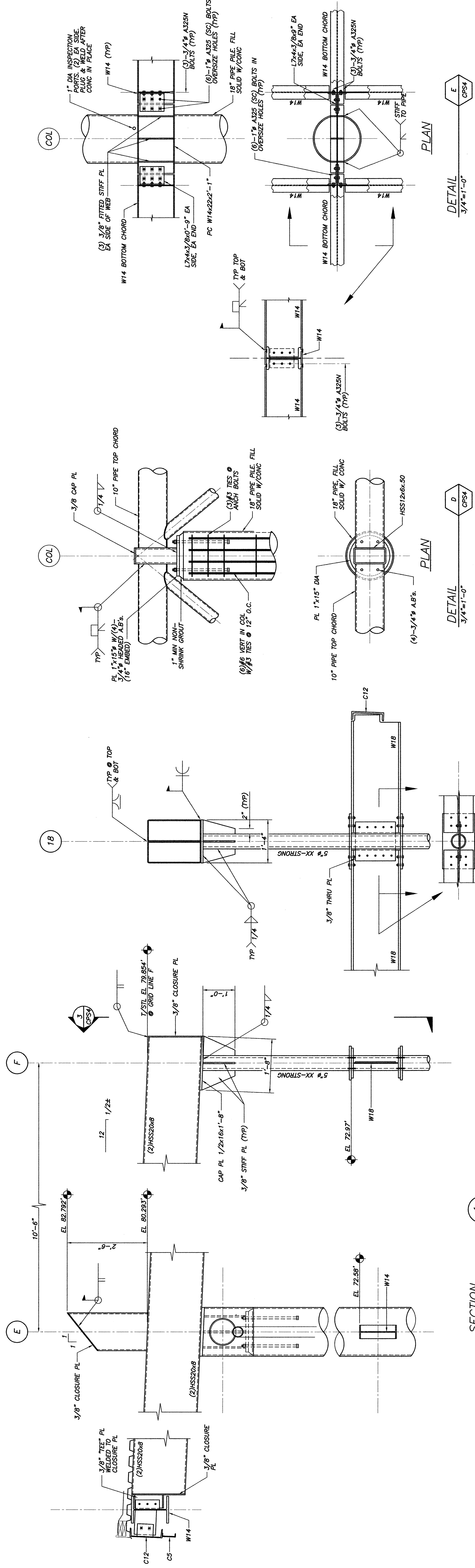
SECTION 2 1'-2" = 1'-0" CPS4

SECTION 3 3/4" = 1'-0" CPS4

SECTION 15 3/4" = 1'-0" CPS4

SECTION 17 3/4" = 1'-0" CPS4

SECTION 18 3/4" = 1'-0" CPS4



DETAIL A 3/4" = 1'-0" CPS4

DETAIL B 3/4" = 1'-0" CPS4

DETAIL C 3/4" = 1'-0" CPS4

DETAIL D 3/4" = 1'-0" CPS4

DETAIL E 3/4" = 1'-0" CPS4

THIS DRAWING IS AN INSTRUMENT OF SERVICE AND SHALL REMAIN THE PROPERTY OF PHILIP J. DOUGHTY ASSOCIATES, ARCHITECTS. IT IS TO BE USED ONLY FOR THE PROJECT AND SITE OR LOCATIONS SPECIFICALLY IDENTIFIED HEREON. NO PART OF THIS DRAWING IS TO BE REPRODUCED OR TRANSMITTED IN ANY FORM OR BY ANY MEANS, ELECTRONIC OR MECHANICAL, WITHOUT THE WRITTEN PERMISSION OF PHILIP J. DOUGHTY ASSOCIATES, ARCHITECTS. A COMPLETE LIST OF LICENSED ARCHITECTS IS AVAILABLE UPON REQUEST.