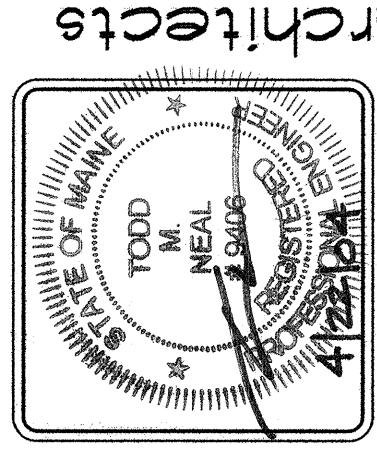


THIS DOCUMENT IS AN INSTRUMENT OF SERVICE AND SHALL REMAIN THE PROPERTY OF PHILLIP J. DOUGHTY ASSOCIATES, INC. IT IS TO BE USED ONLY FOR THE PROJECT AND SITE SPECIFICALLY IDENTIFIED HEREIN. IT IS NOT TO BE REPRODUCED, COPIED, OR TRANSMITTED IN ANY FORM OR BY ANY MEANS, WITHOUT THE WRITTEN PERMISSION OF PHILLIP J. DOUGHTY ASSOCIATES, INC. AGREEMENT ON COMPLETION OF WORK, IF REQUIRED.

CPS6

SHEET NO.
DATE
SCALE: 1/8"=1'-0"

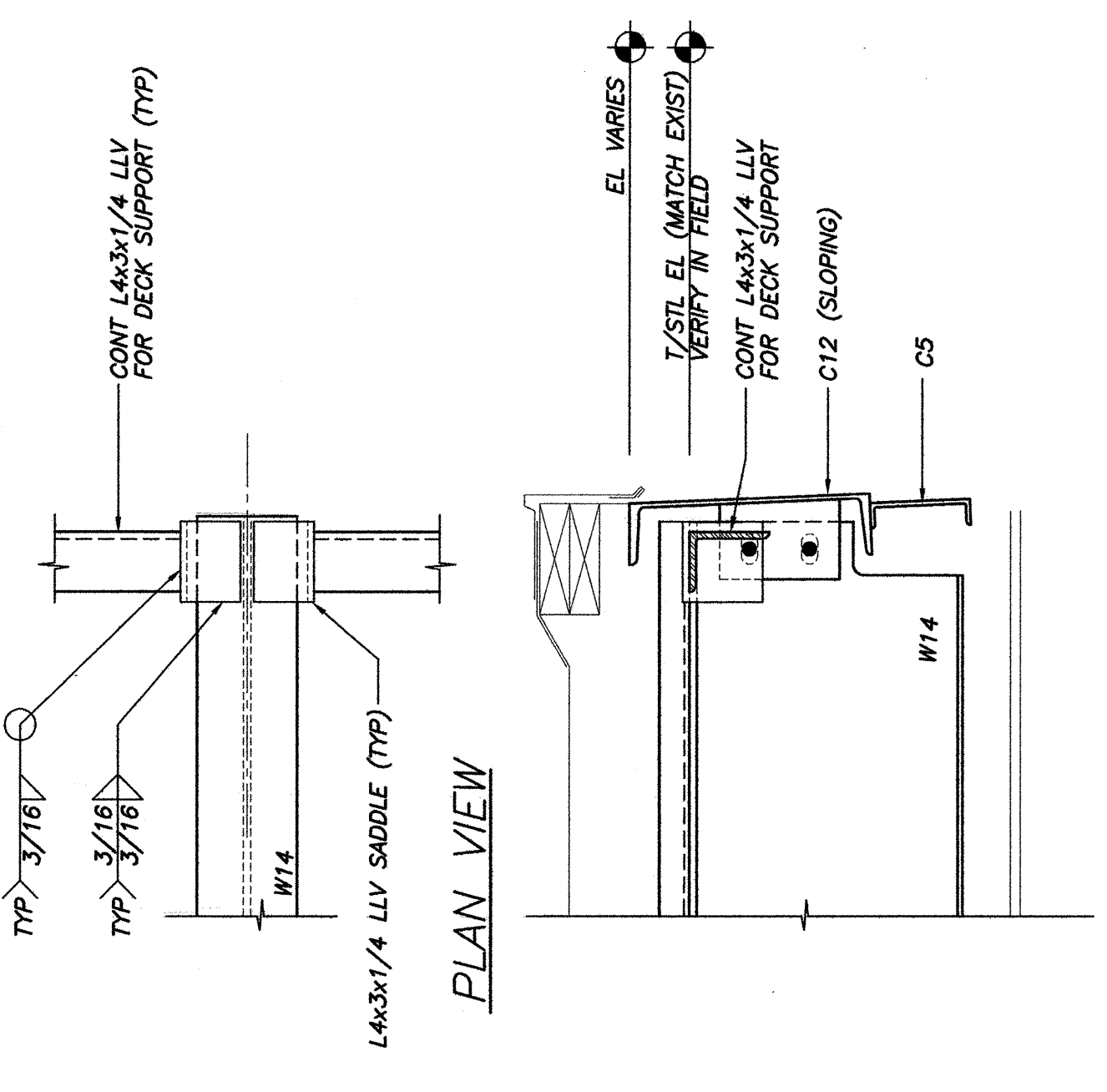
ADDITIONS AND ALTERATIONS
EASTERN EXPANSION OF BAGGAGE CLAIM FACILITY
PORTLAND INTERNATIONAL JETPORT, PORTLAND, MAINE
DESIGNED BY: JMD
DATE: FEB 29 2004
DRAWN BY: JMD
CHECKED BY: JMD
APPROVED BY: JMD
CANOPY FRAMING SECTIONS AND DETAILS



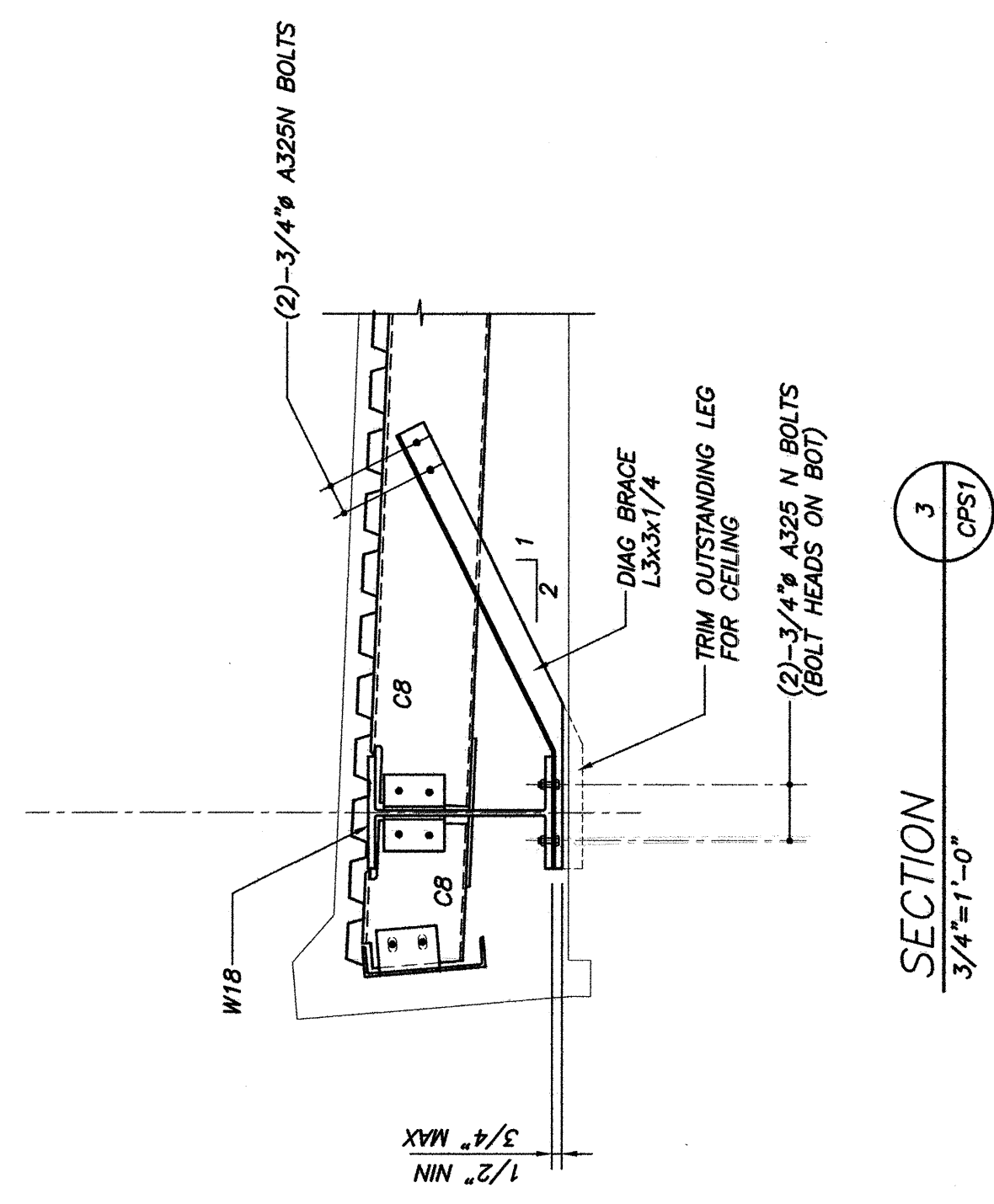
Phillip J. Doughty Assoc. Architects
362 U.S. Route One, Falmouth, Maine 04105 • 207.781.5346

REVISION	DATE	DESCRIPTION	DRAWN	CHECKED	APPROVED
1	4/22/04	CONCRETE DRAINAGE RAISED FOR CONSTRUCTION	JMD	JMD	JMD
2	FEB 29 2004		JMD	JMD	JMD

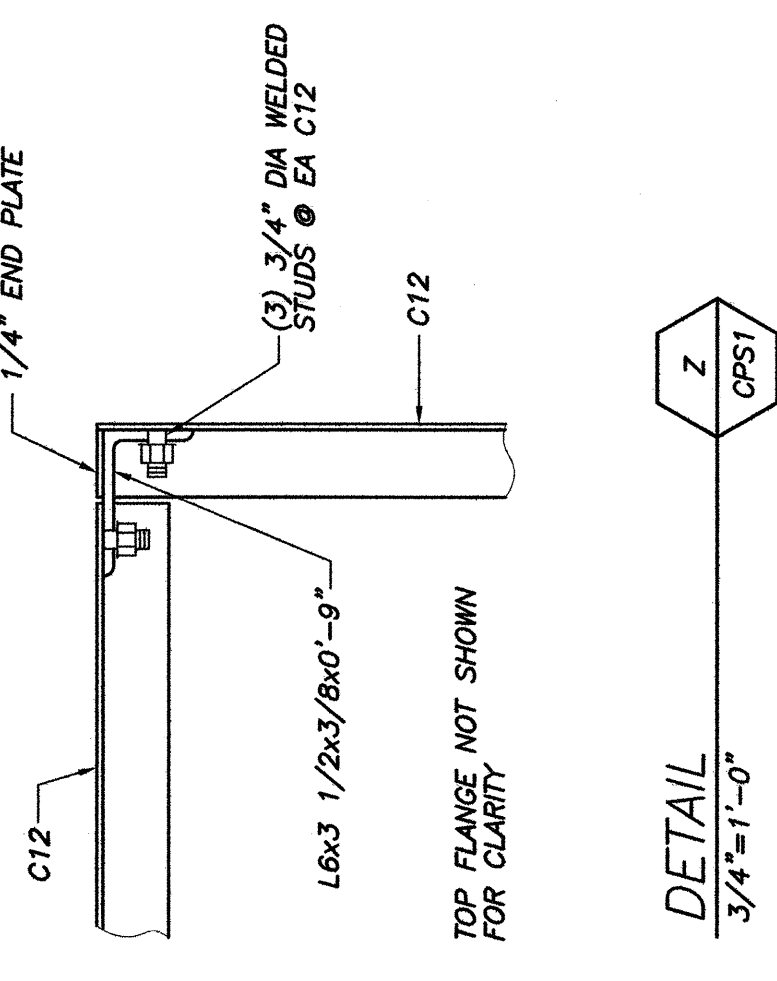
BECKER
Structural Engineers, Inc.
75 York Street
Portland, ME 04101-4701
Tel: 207-879-1838
Fax: 207-879-1822
www.beckerstructural.com
info@beckerstructural.com



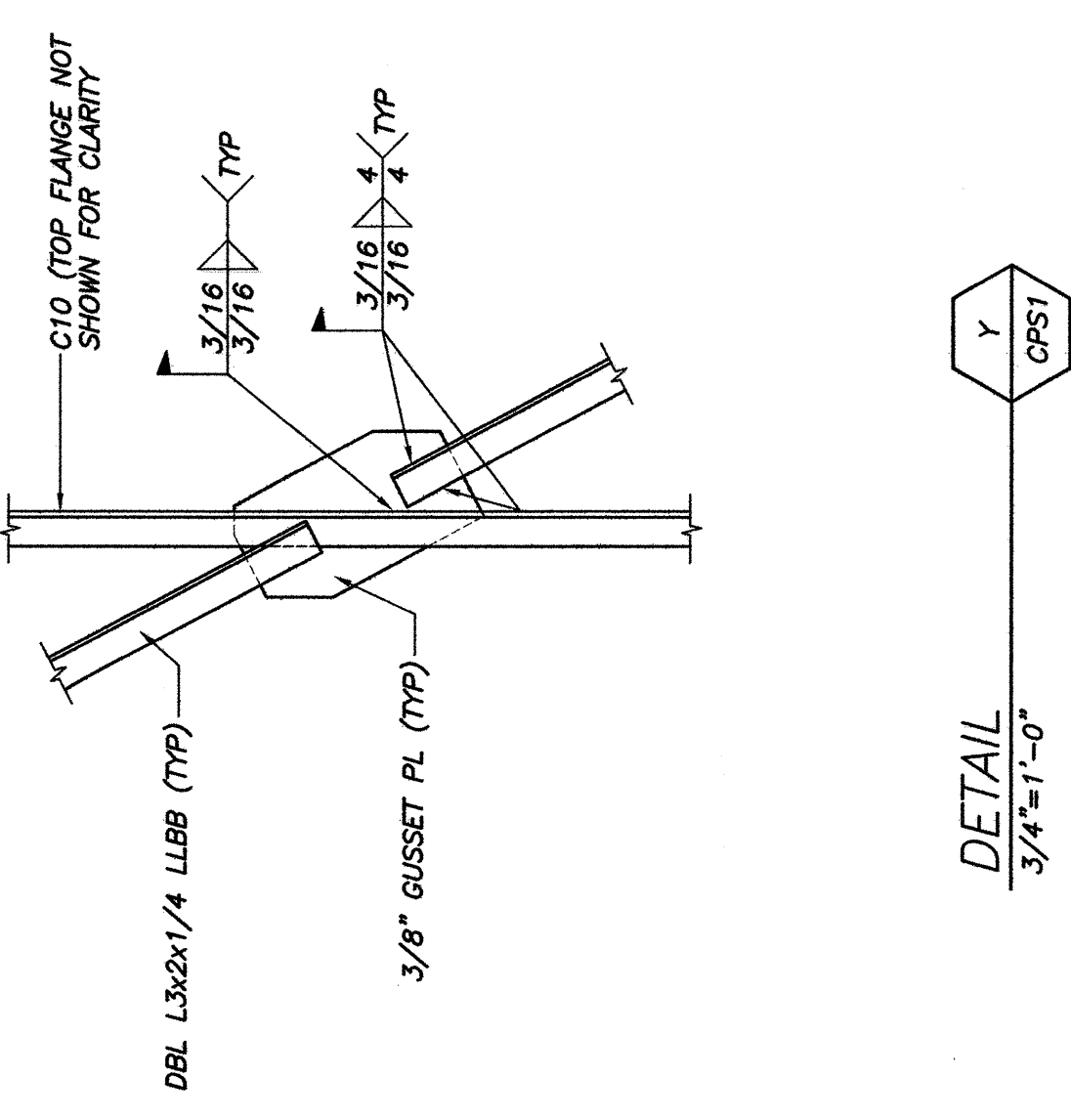
SECTION 4
1/2"=1'-0"



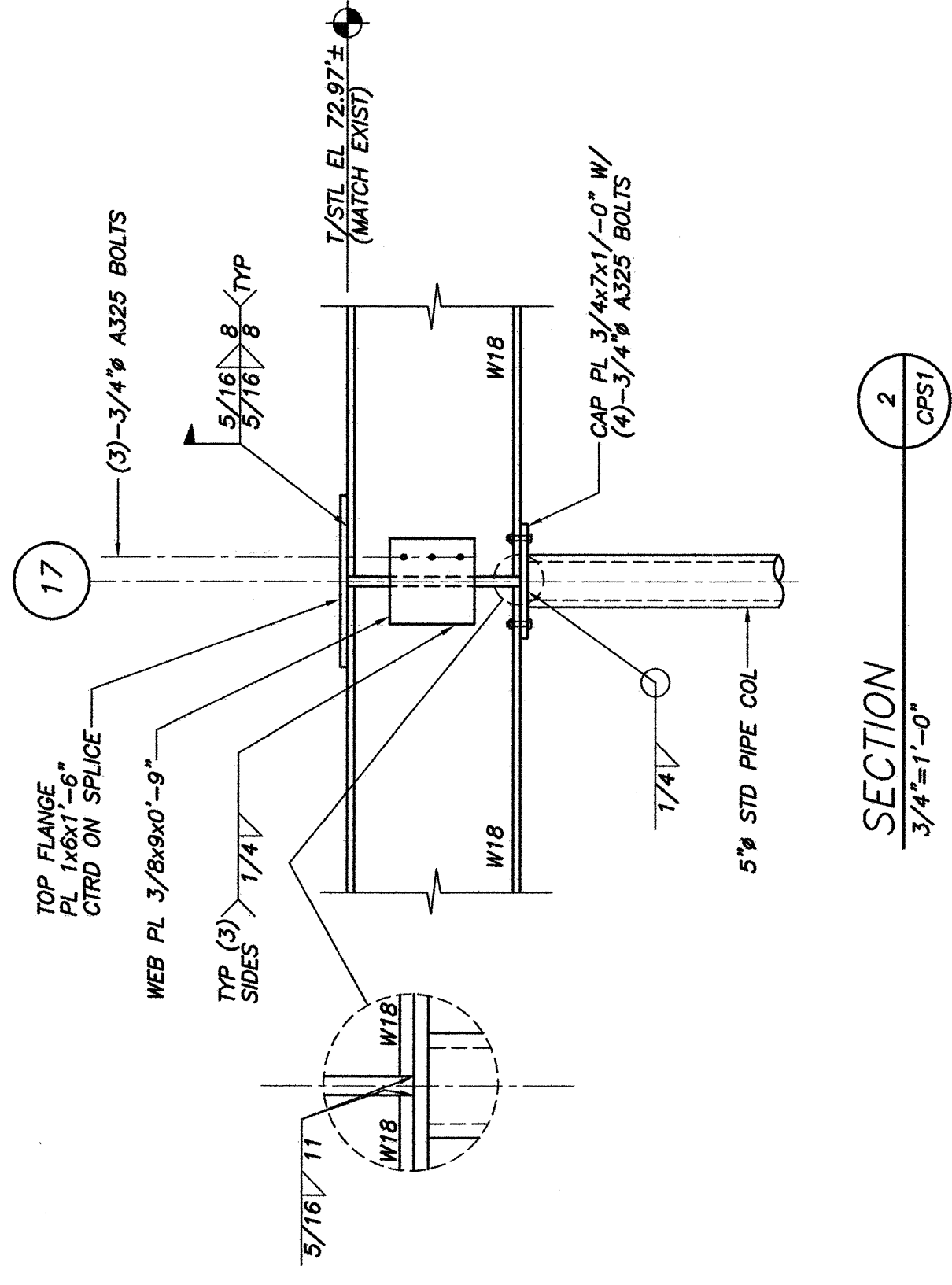
SECTION 3
3/4"=1'-0"



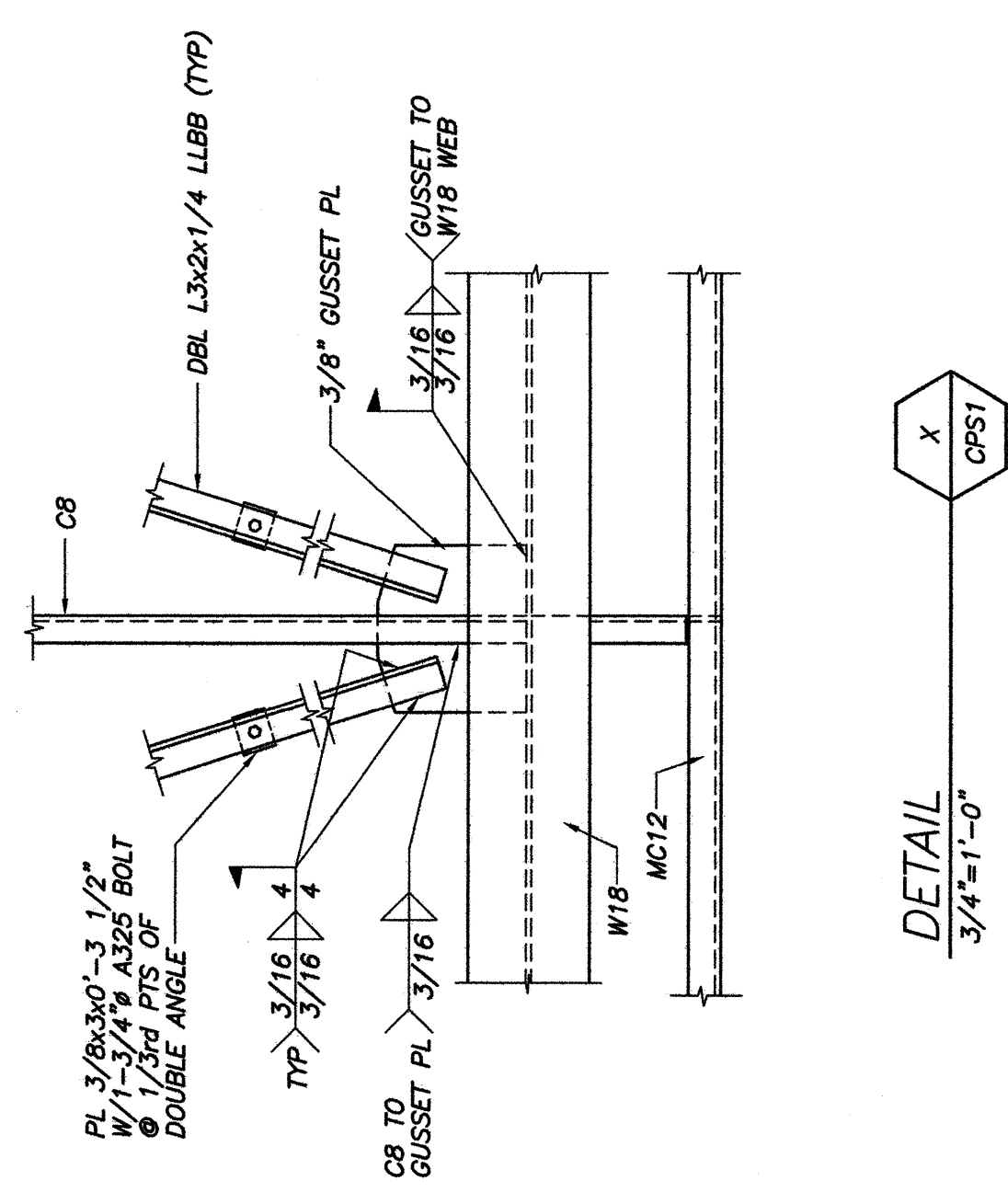
DETAIL Z
3/4"=1'-0"



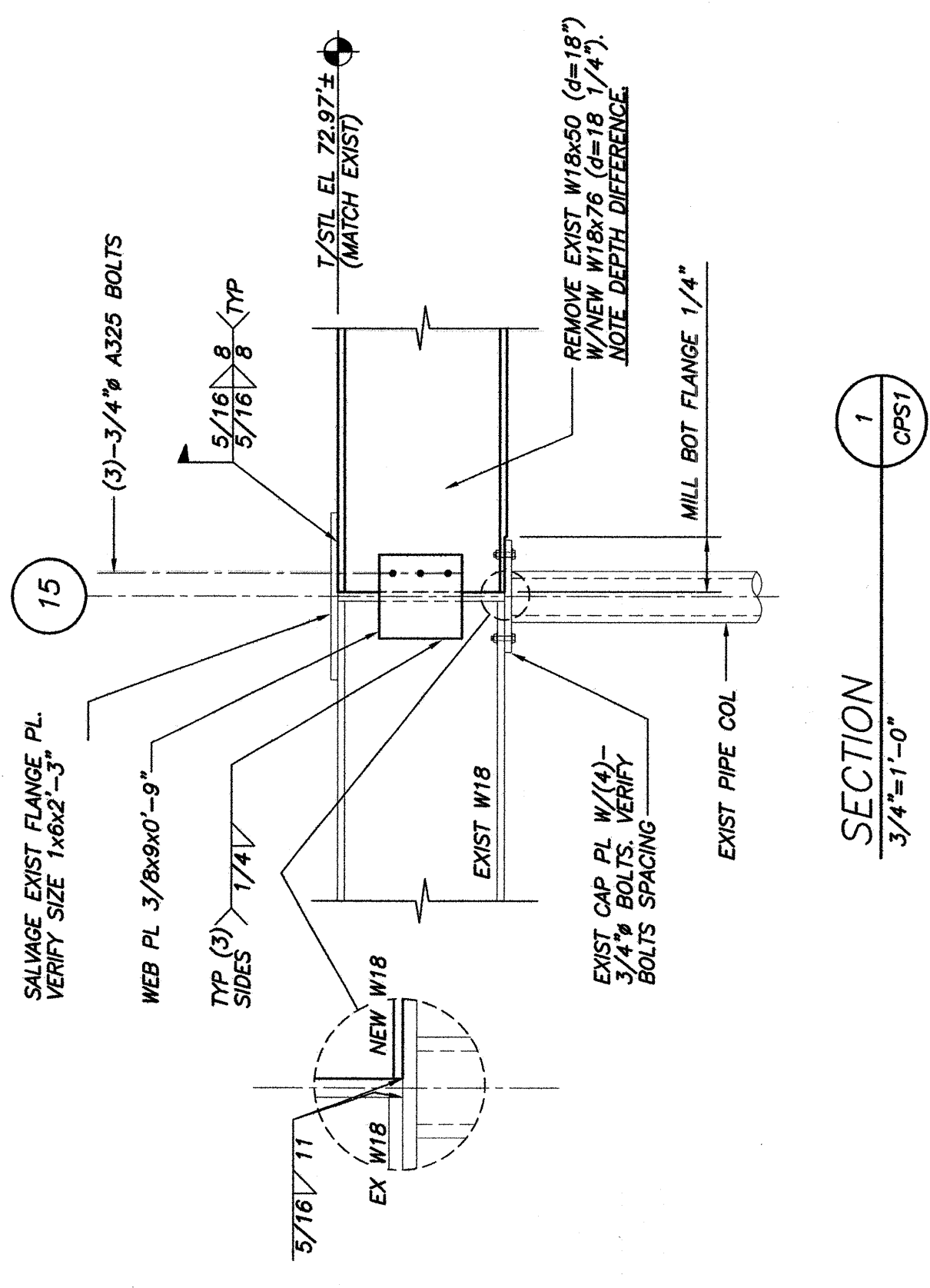
DETAIL Y
3/4"=1'-0"



SECTION 2
3/4"=1'-0"



DETAIL X
3/4"=1'-0"



SECTION 1
3/4"=1'-0"