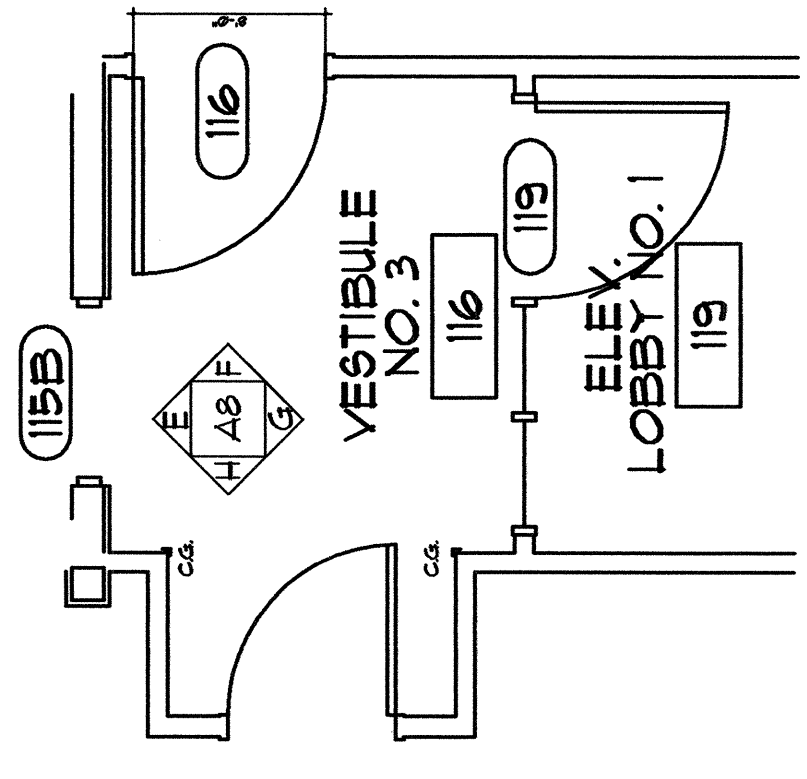
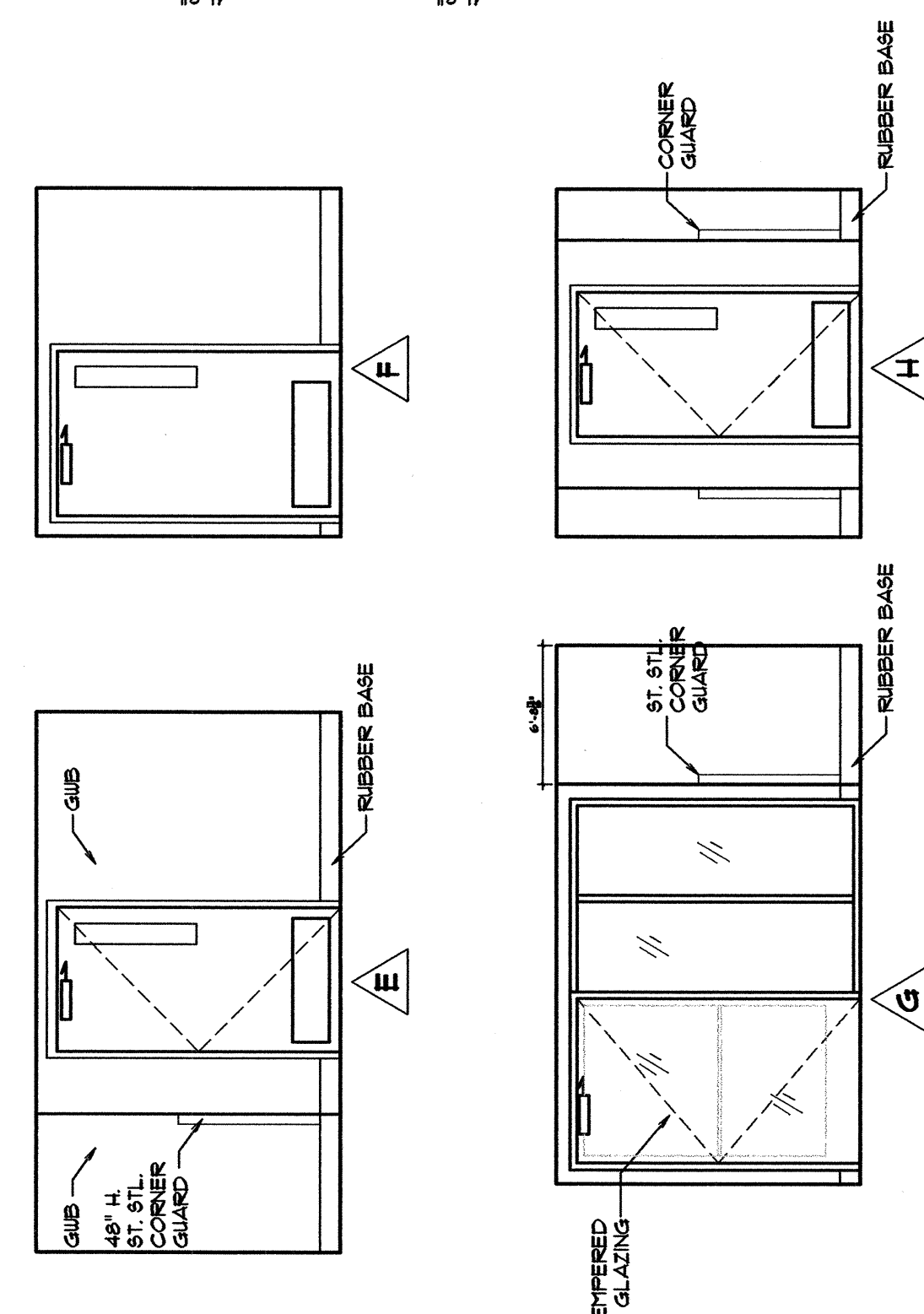


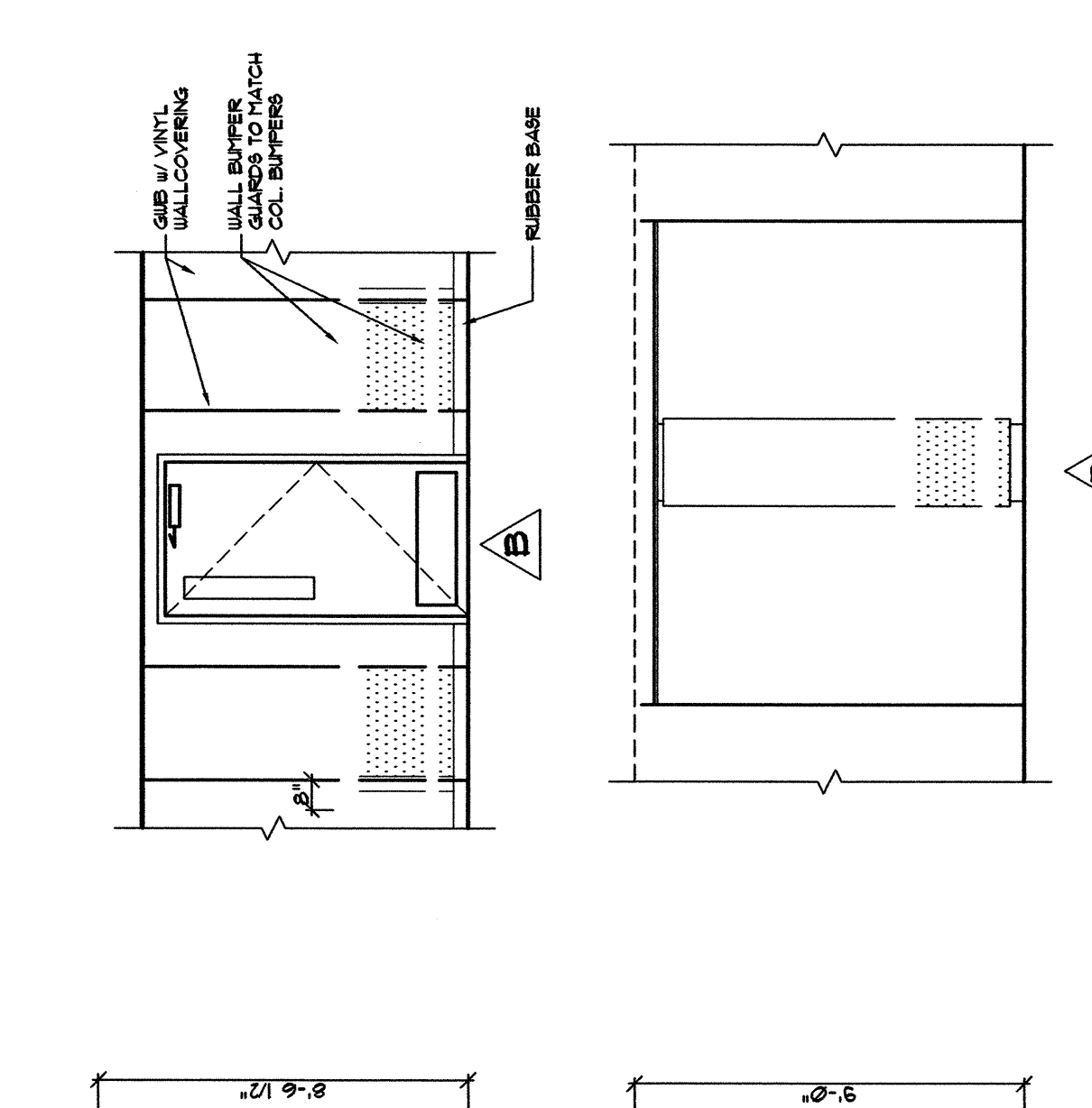
1 PREFINISHED DECORATIVE FINL DTL
SCALE: 1/4" = 1'-0"



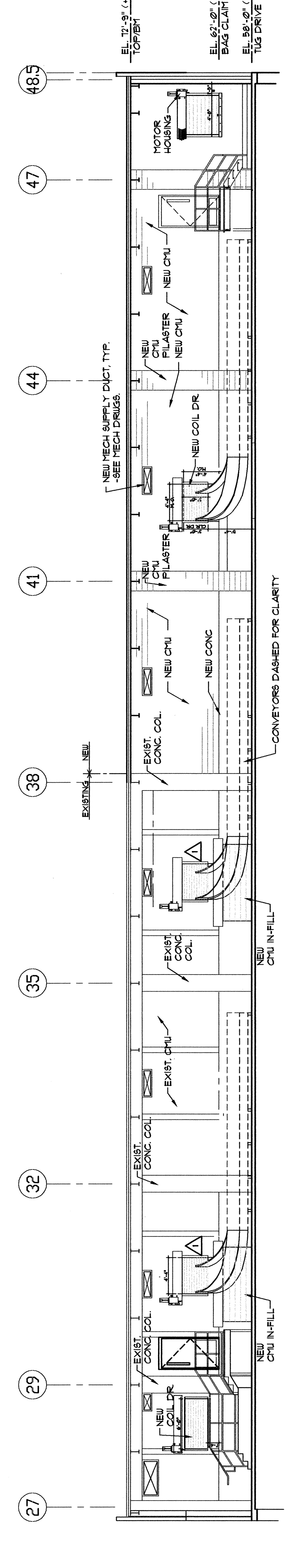
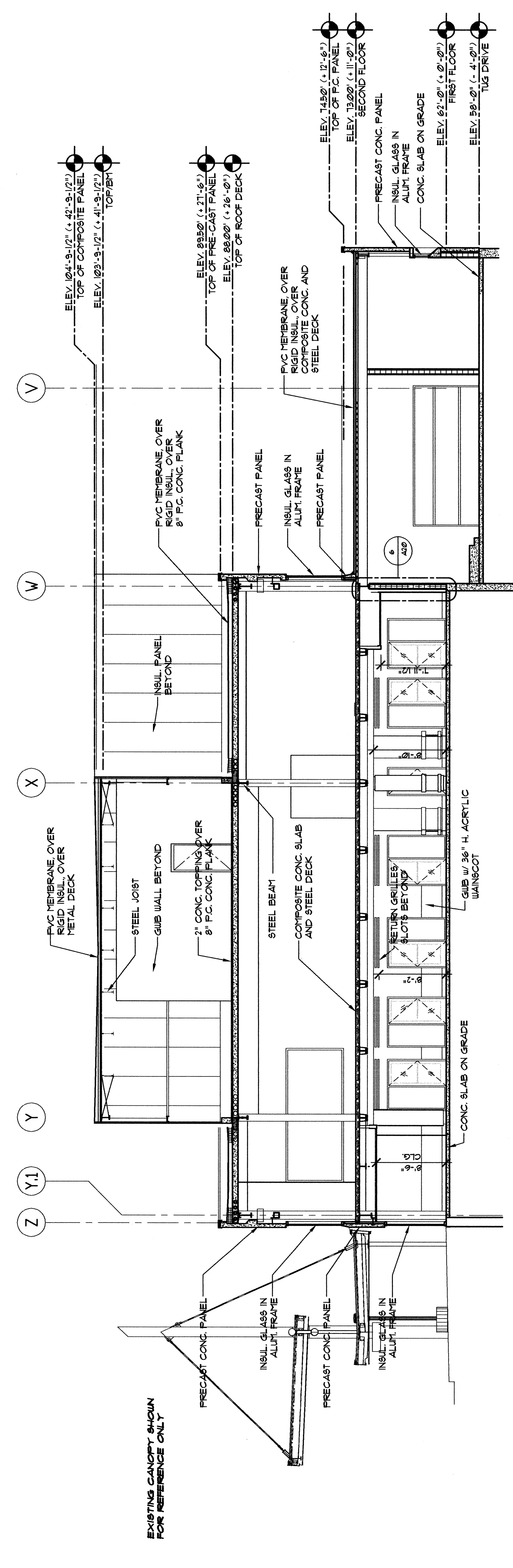
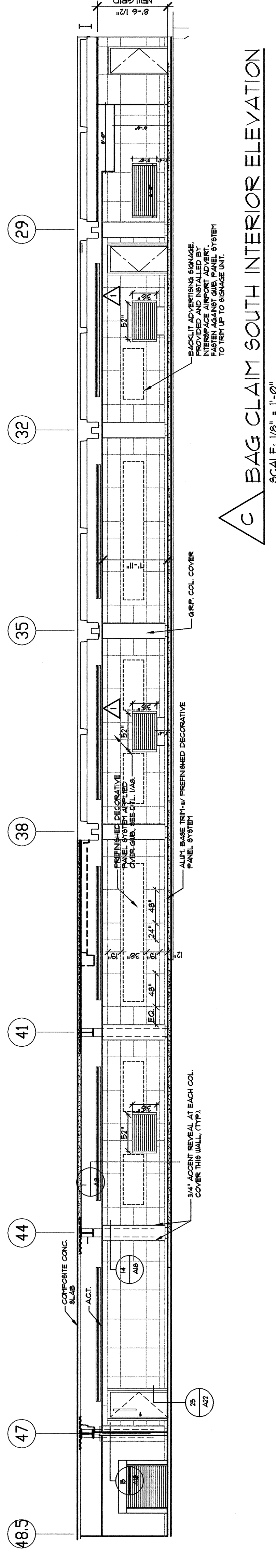
A VESTIBULE 3 ELEVATIONS
SCALE: 1/4" = 1'-0"



B EAST BAG CLAIM CORRIDOR ELEVATIONS
SCALE: 1/4" = 1'-0"



B EAST BAG CLAIM CORRIDOR ELEVATIONS
SCALE: 1/4" = 1'-0"



REV#	DATE	BY	CHKD	APPVD	DESCRIPTION
1	4/22/84	J-F	J-F	J-F	CONFORMED DRAWINGS ISSUED FOR CONSTRUCTION
2	5/1/84	J-F	J-F	J-F	ADDENDUM NO. 1
3	5/1/84	J-F	J-F	J-F	ADDENDUM NO. 2
4	5/29/84	J-F	J-F	J-F	ADDENDUM NO. 3

PHILIP J. DOUGHTY ASSOC. ARCHITECTS
362 U.S. ROUTE ONE, FALMOUTH, MAINE 04105 • 207.781.5346

PDA ARCHITECTS

APPROVED: _____
CHECKED: _____
DRAWN: J-F
DESIGNED: _____
DATE: 10/1/84

SCALE: AS NOTED

EASTERN EXPANSION OF BAGGAGE CLAIM PORTLAND INTERNATIONAL AIRPORT, PORTLAND, MAINE

BUILDING SECTIONS

ADDITIONS AND ALTERATIONS TO

SHEET NO. A8

000-003

DATE: 10/1/84

SCALE: AS NOTED

APPROVED: _____

CHECKED: _____

DRAWN: J-F

DESIGNED: _____

DATE: 10/1/84

SCALE: AS NOTED

EASTERN EXPANSION OF BAGGAGE CLAIM PORTLAND INTERNATIONAL AIRPORT, PORTLAND, MAINE

BUILDING SECTIONS

ADDITIONS AND ALTERATIONS TO

THIS DRAWING IS AN INSTRUMENT OF SERVICE AND SHALL REMAIN THE PROPERTY OF PHILIP J. DOUGHTY ASSOCIATES, ARCHITECTS. IT IS TO BE USED ONLY FOR THE PROJECT AND SITE SPECIFICALLY IDENTIFIED HEREON. IT IS NOT TO BE REPRODUCED, COPIED, OR TRANSMITTED IN ANY FORM OR BY ANY MEANS, ELECTRONIC OR MECHANICAL, INCLUDING PHOTOCOPYING, RECORDING, OR BY ANY INFORMATION STORAGE AND RETRIEVAL SYSTEM, WITHOUT THE WRITTEN PERMISSION OF PHILIP J. DOUGHTY ASSOCIATES, ARCHITECTS. A SIGNATURE OF PHILIP J. DOUGHTY ASSOCIATES, ARCHITECTS IS REQUIRED FOR ALL REVISIONS AND FOR ALL PRINTINGS OF THIS DRAWING.