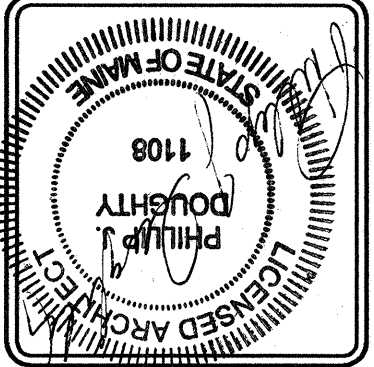
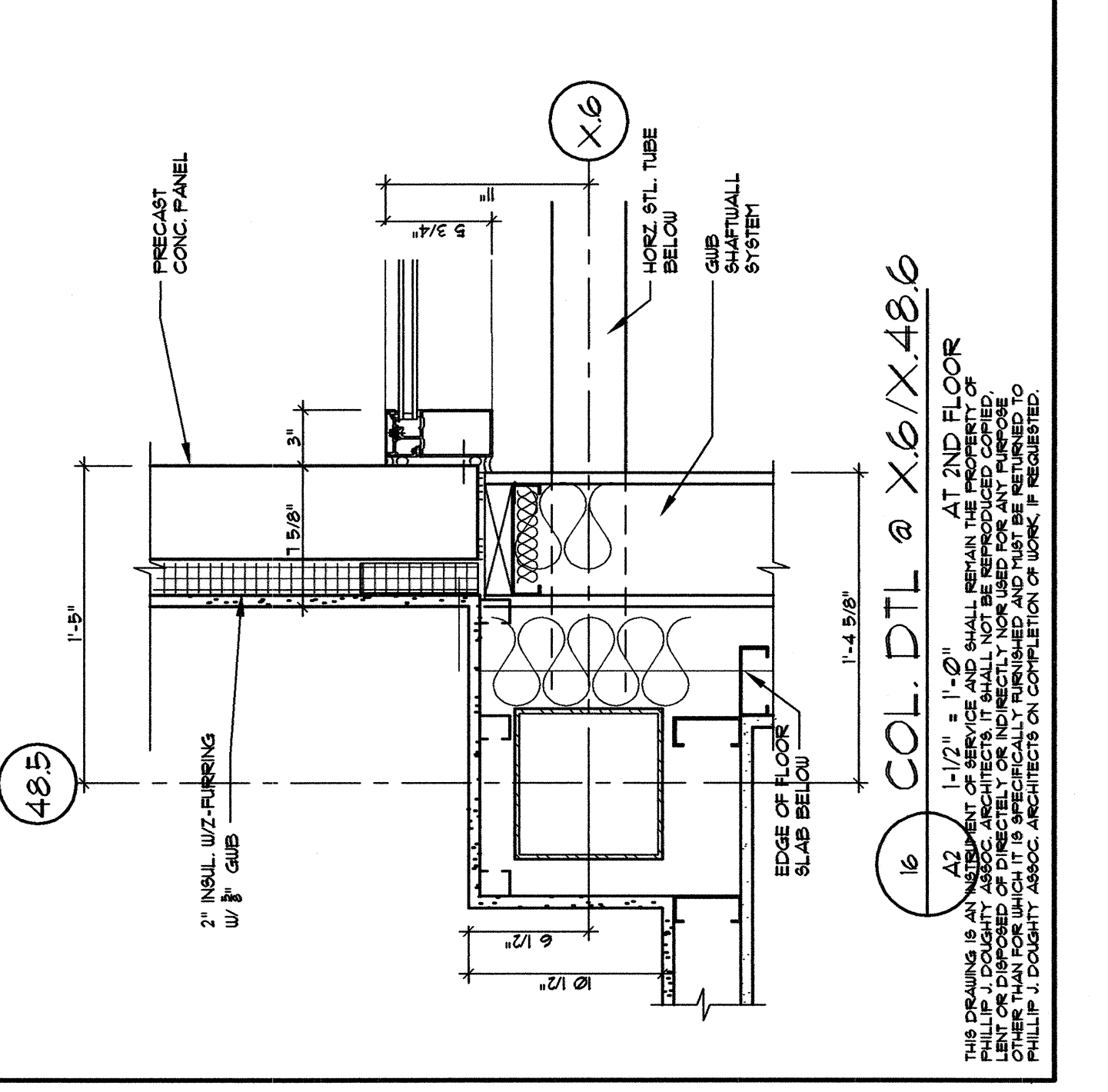
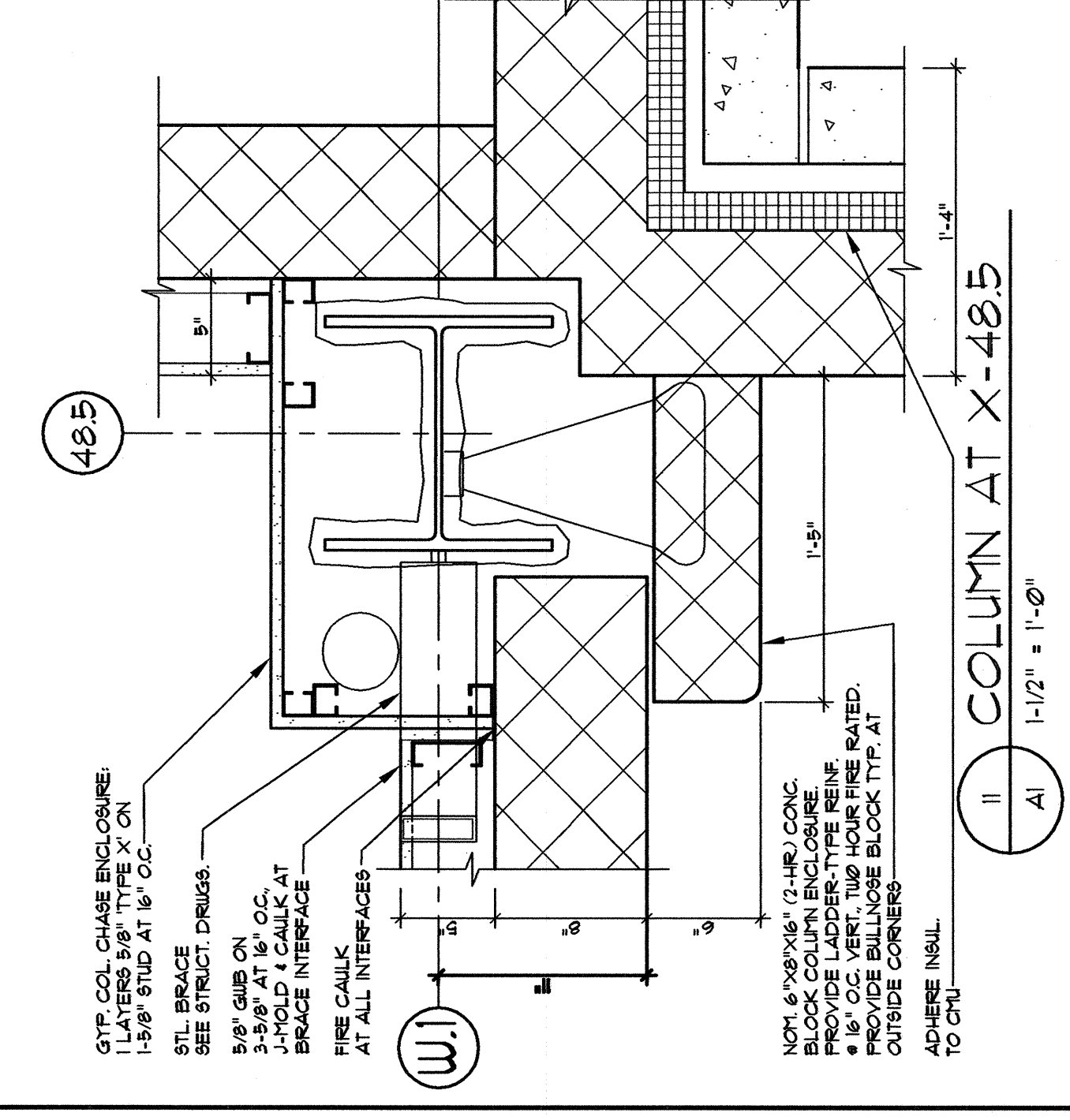
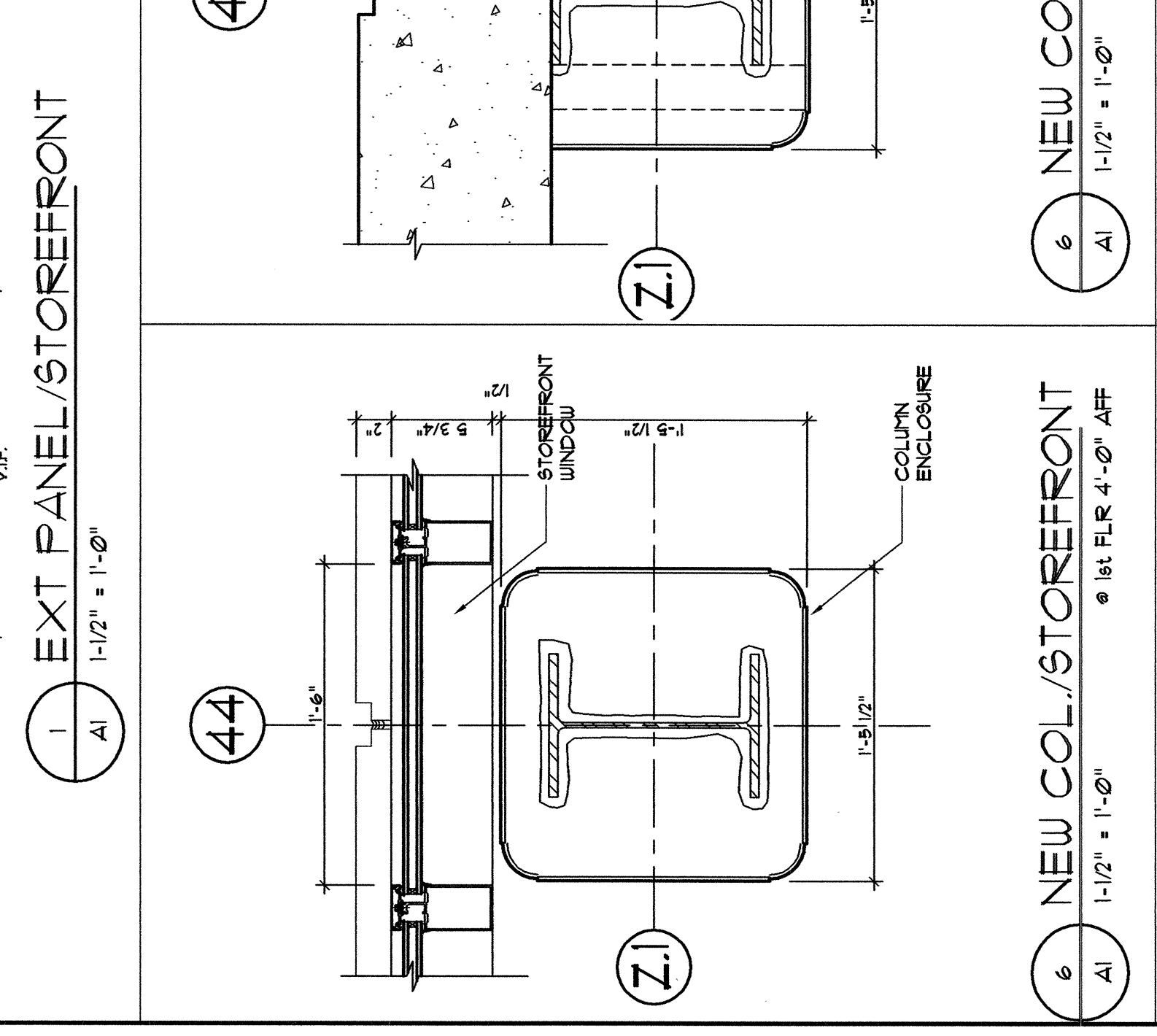
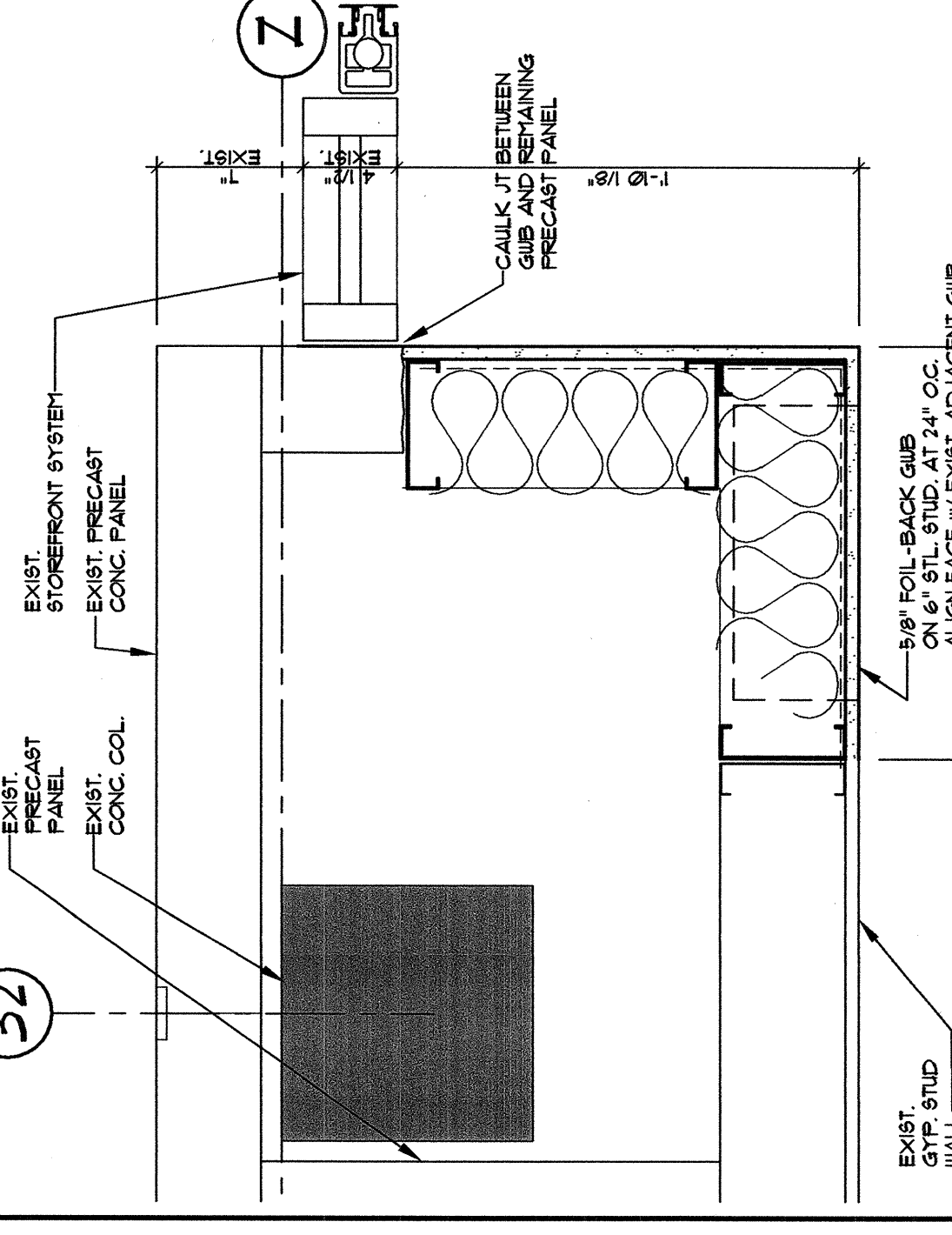
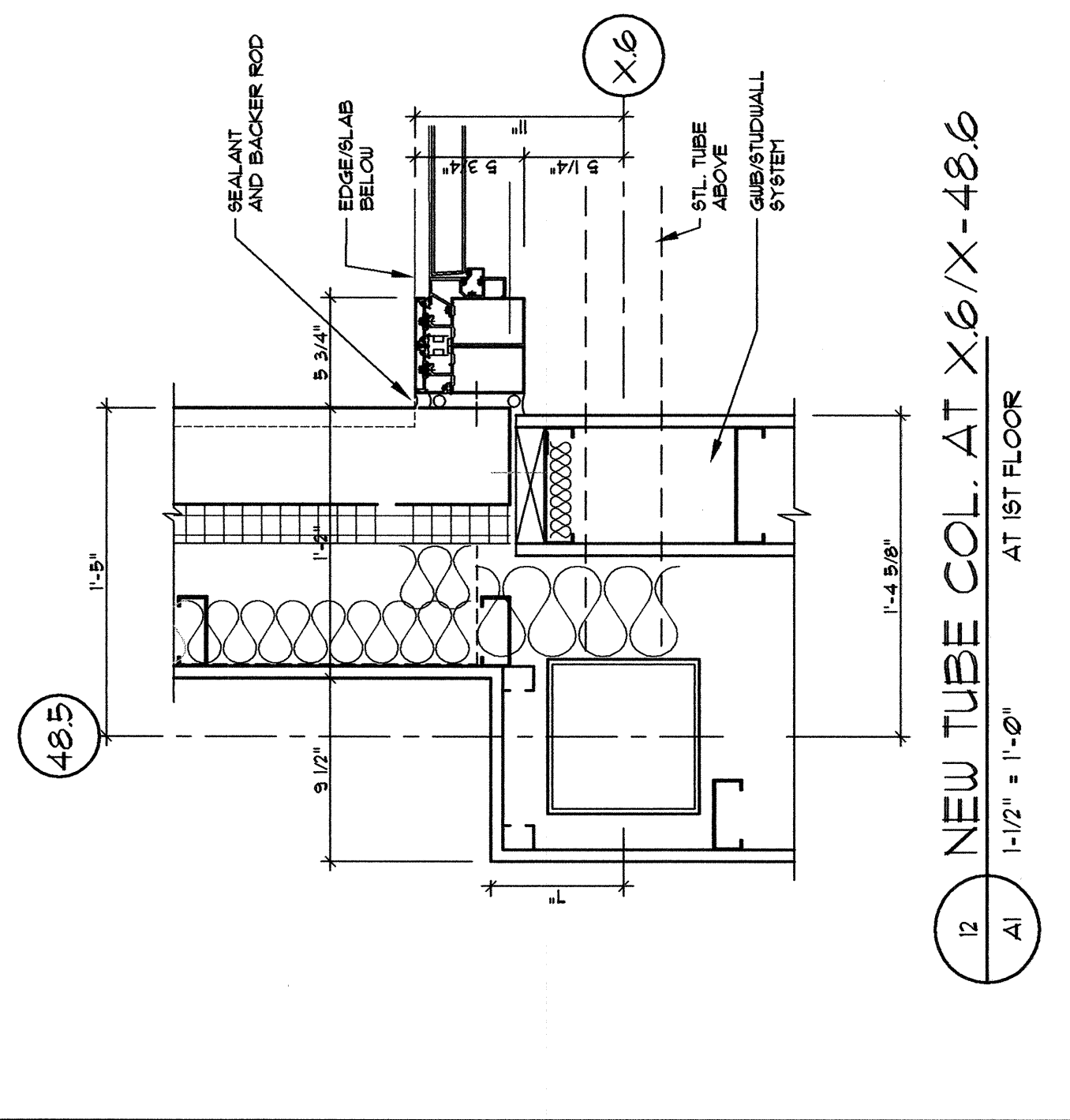
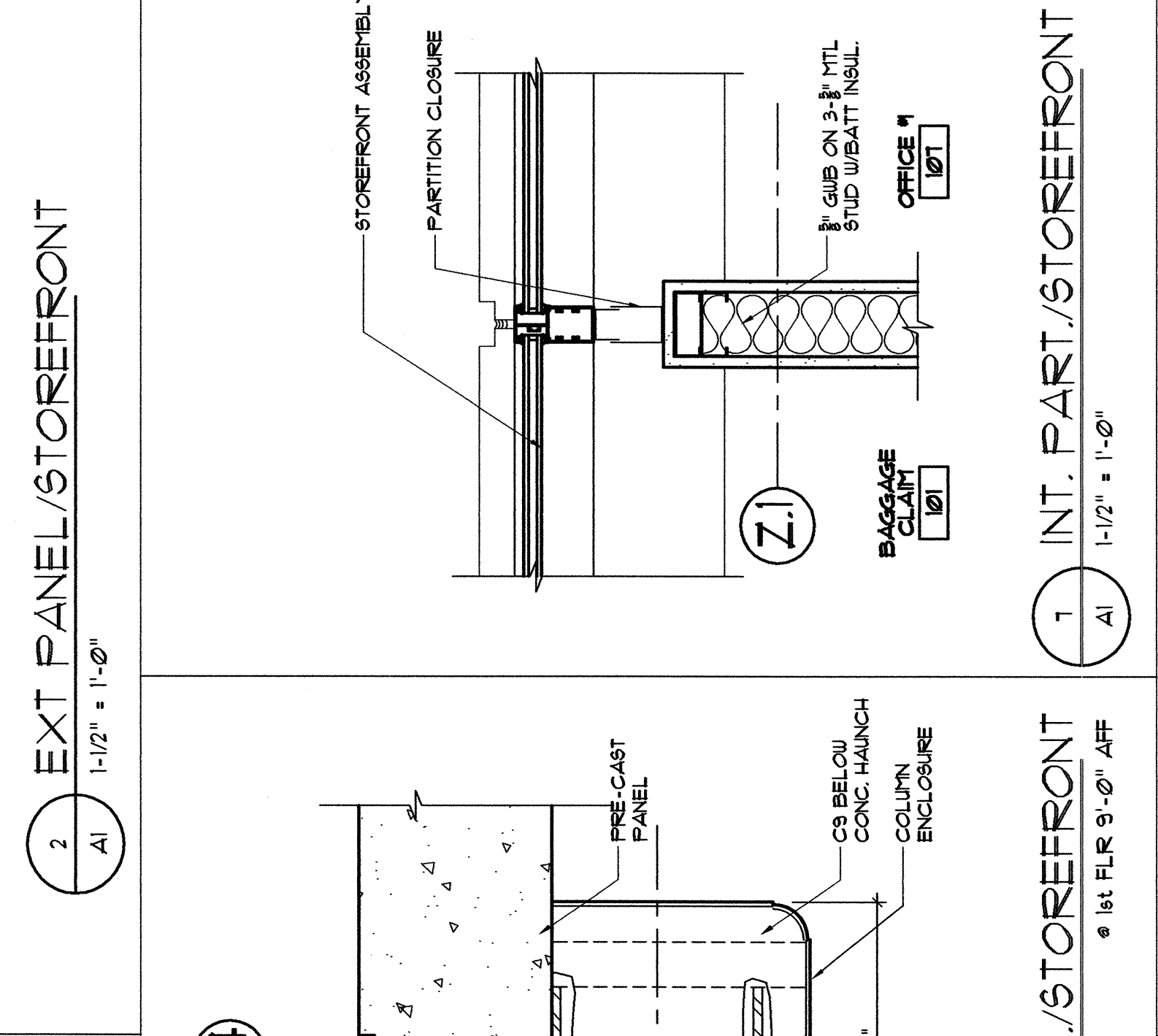
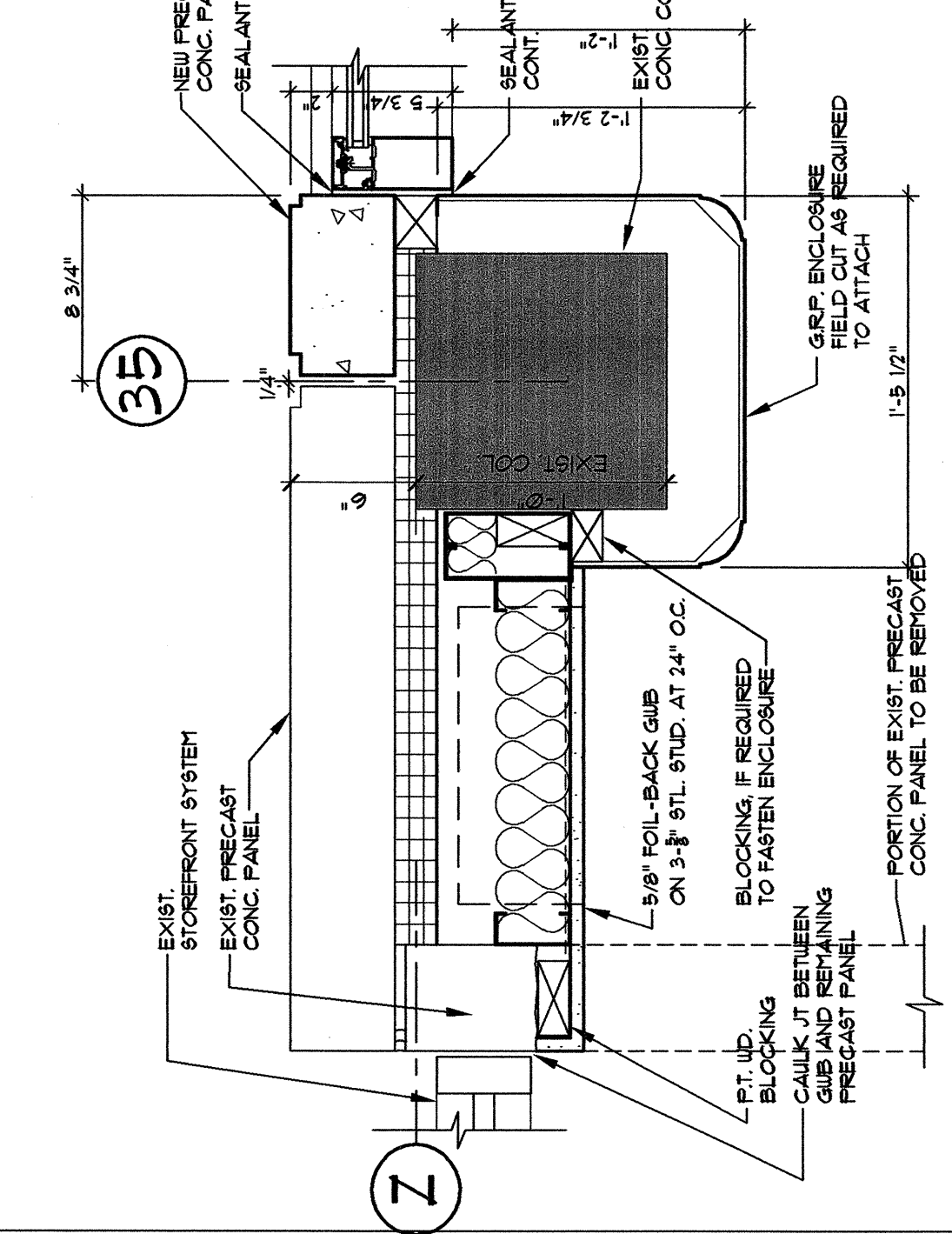
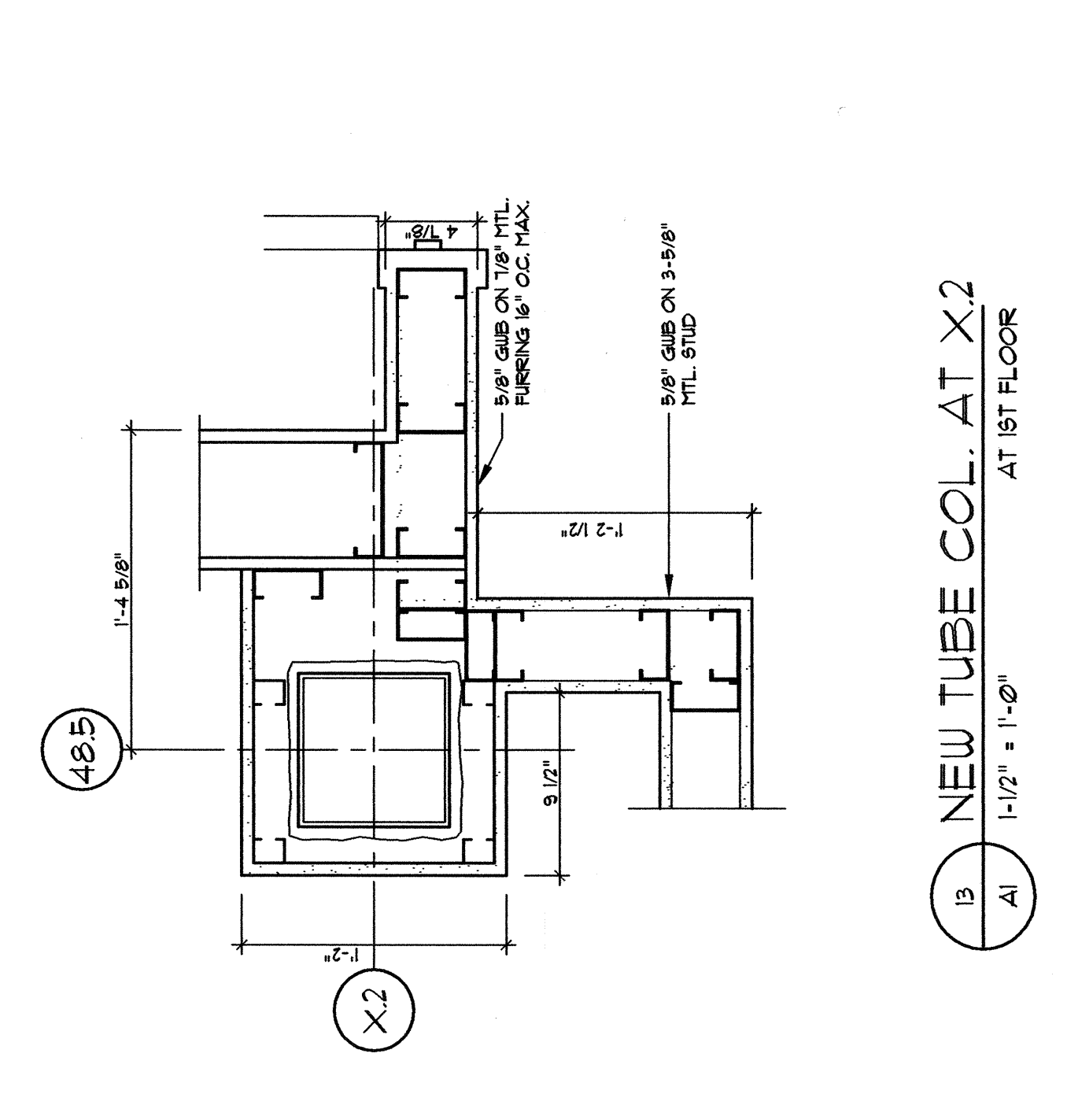
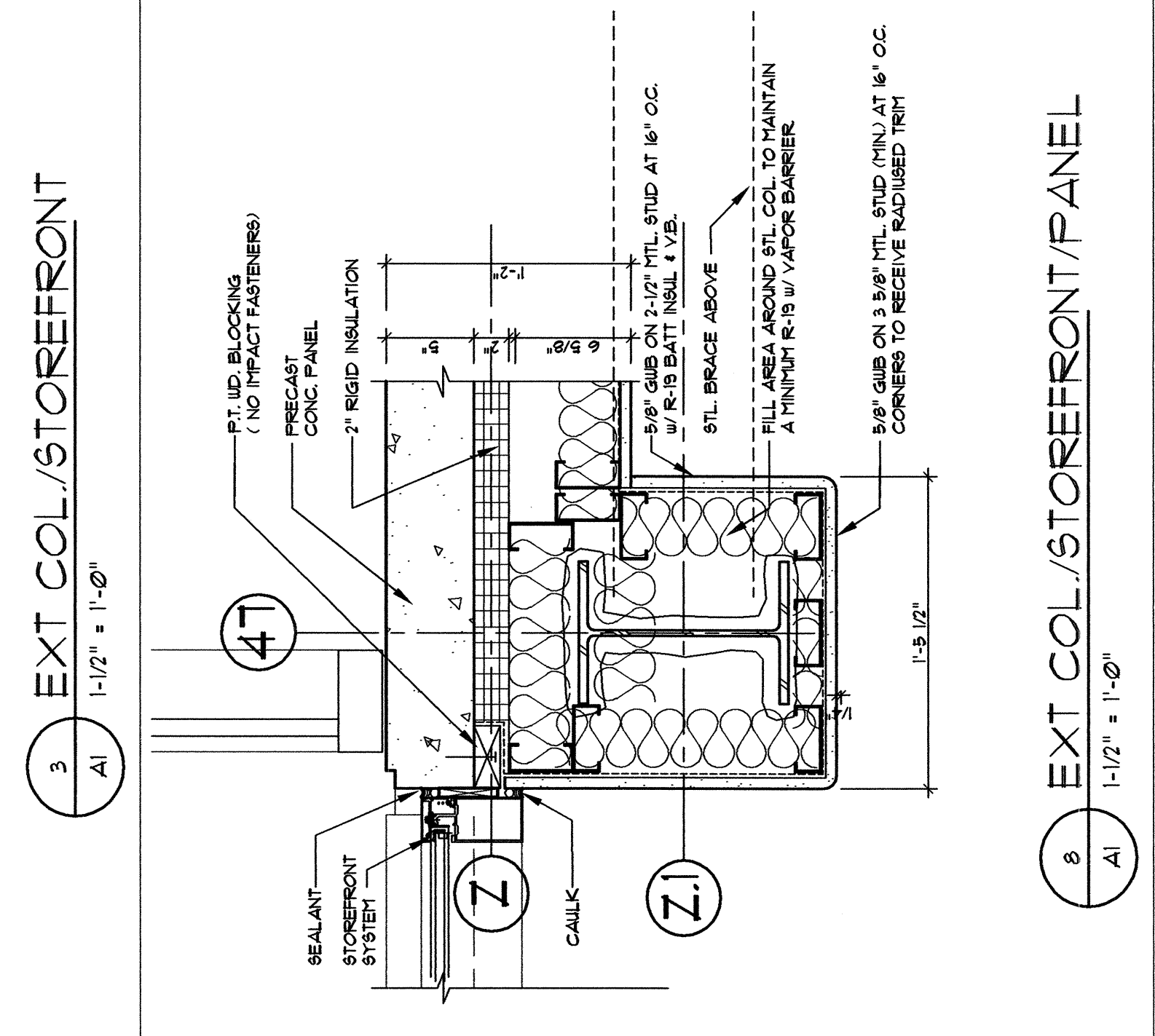
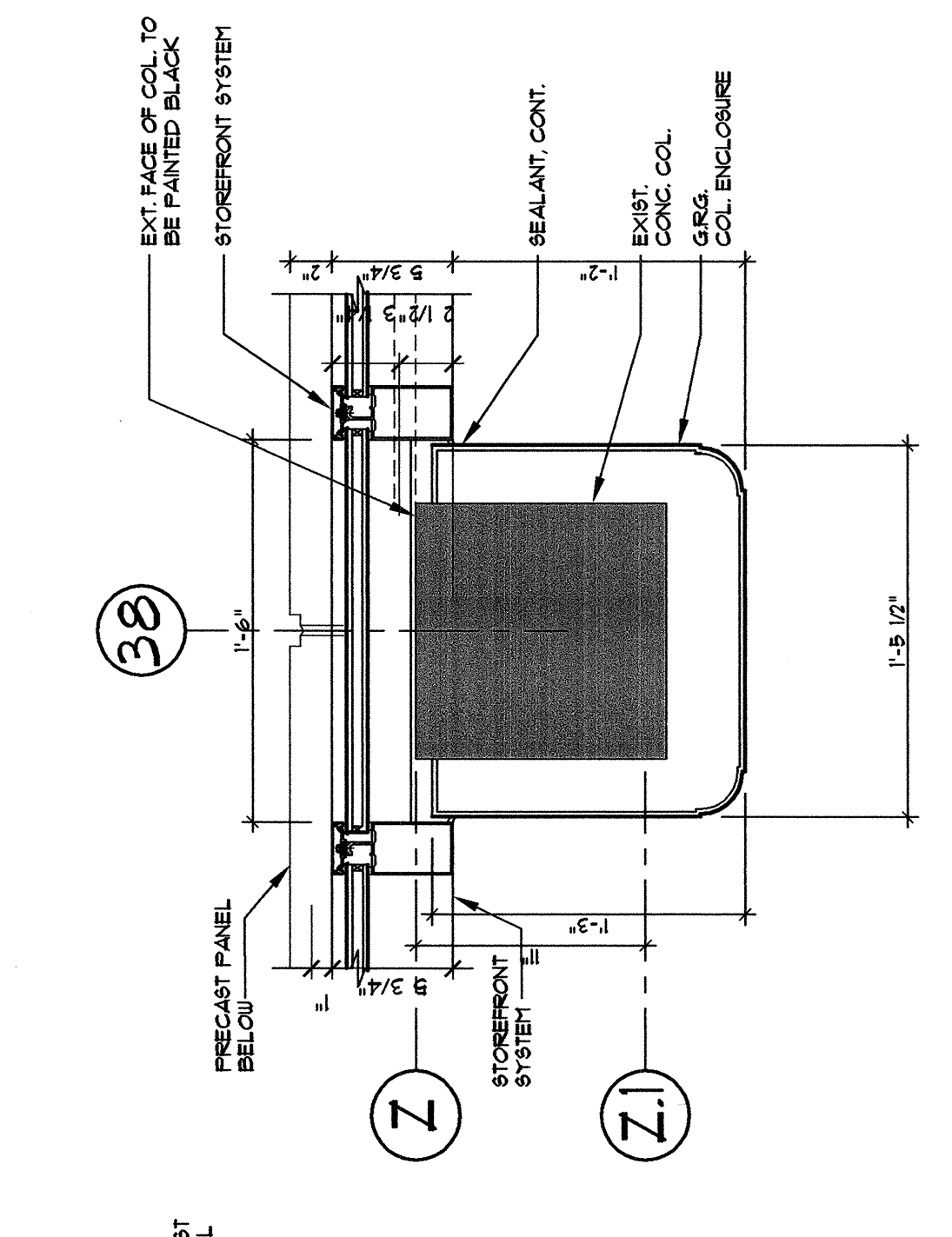
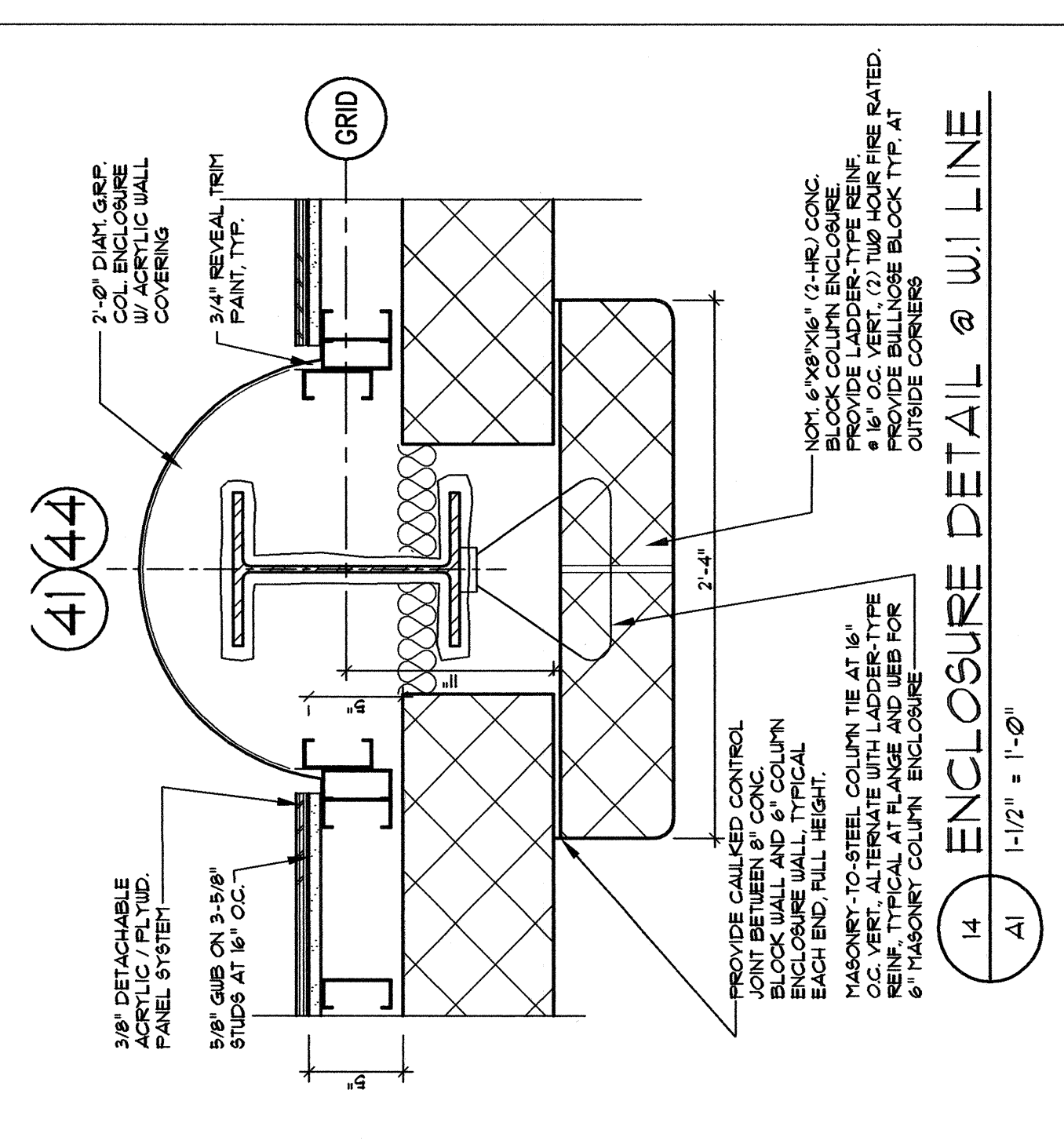
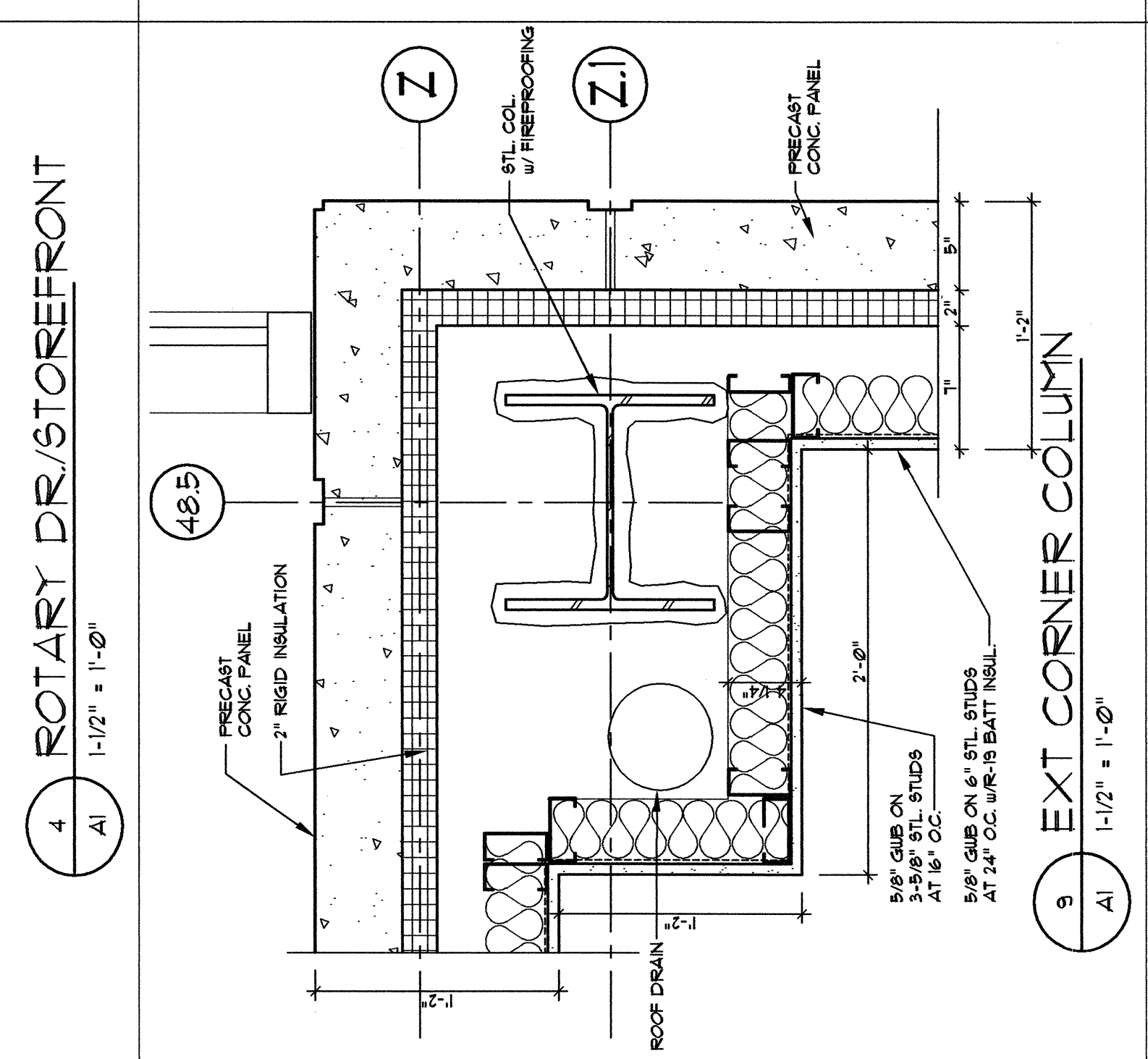
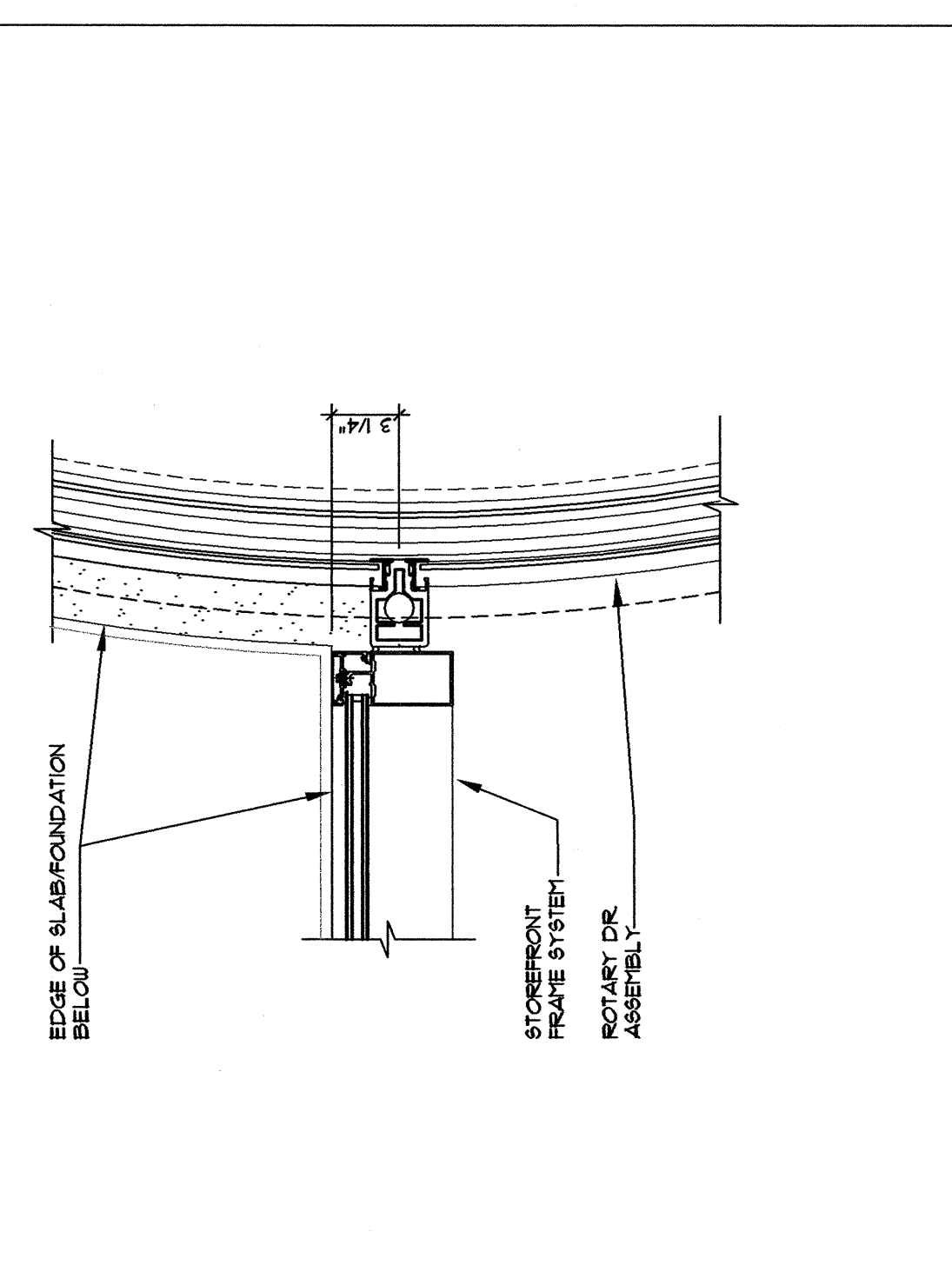
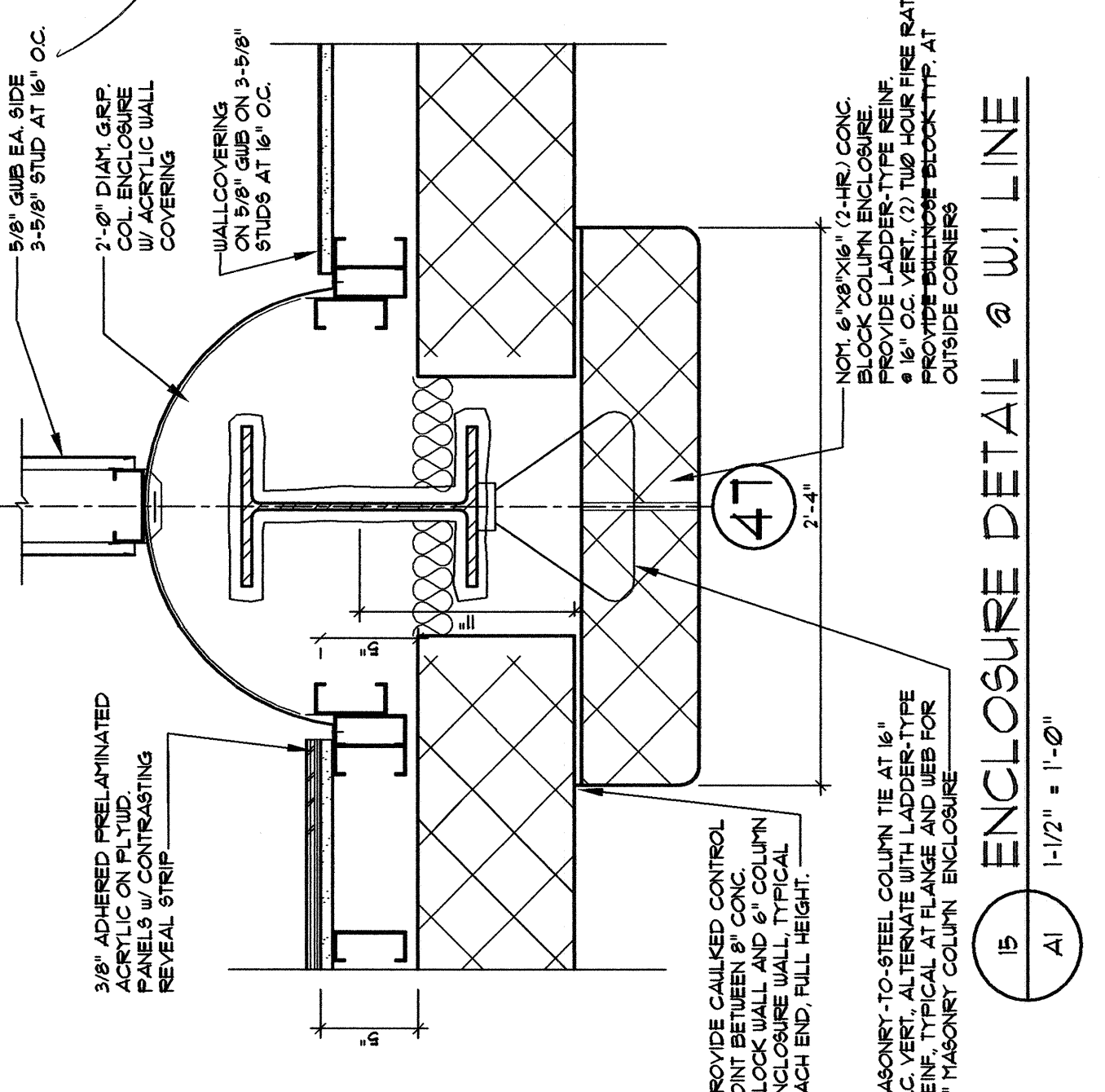
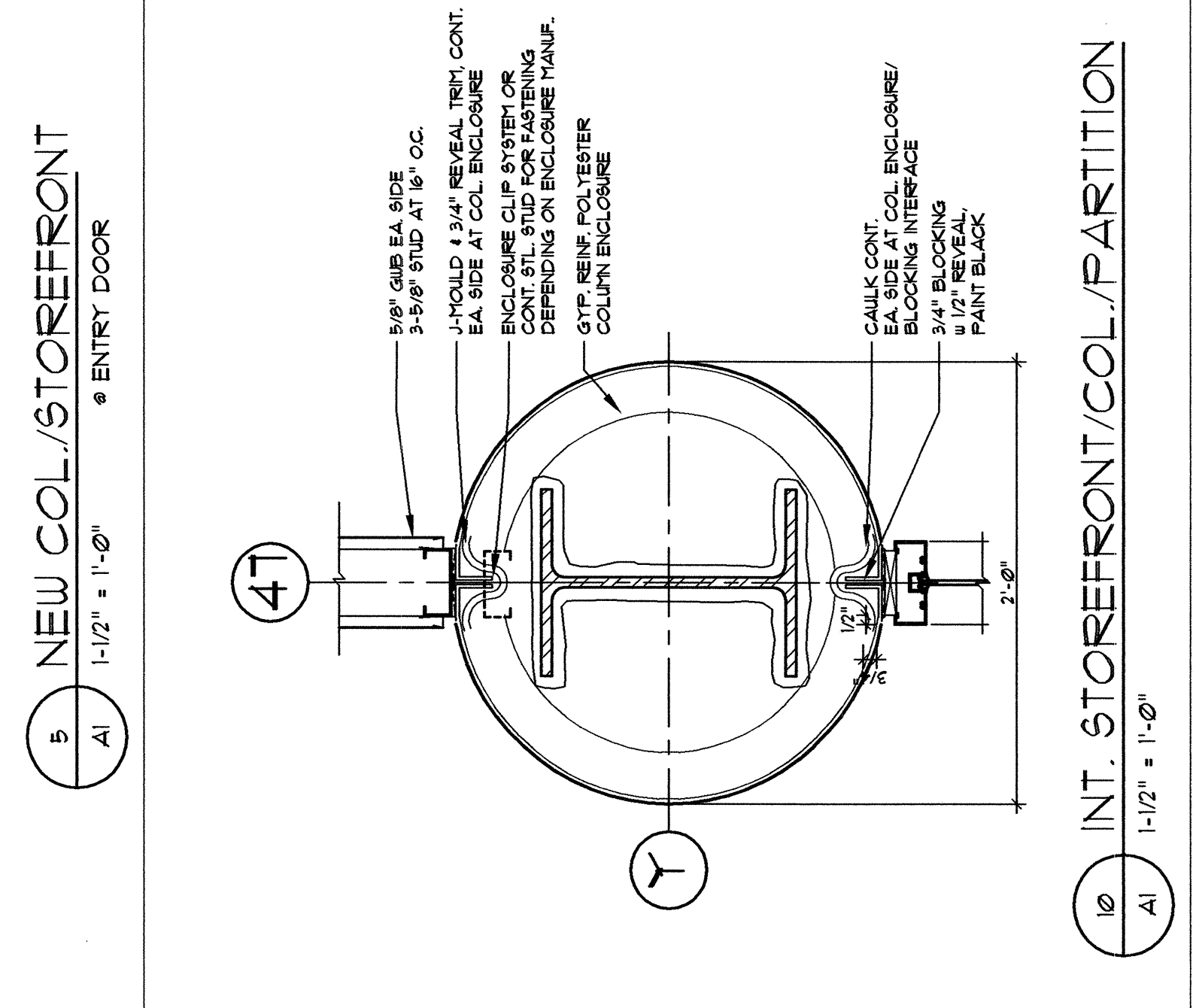
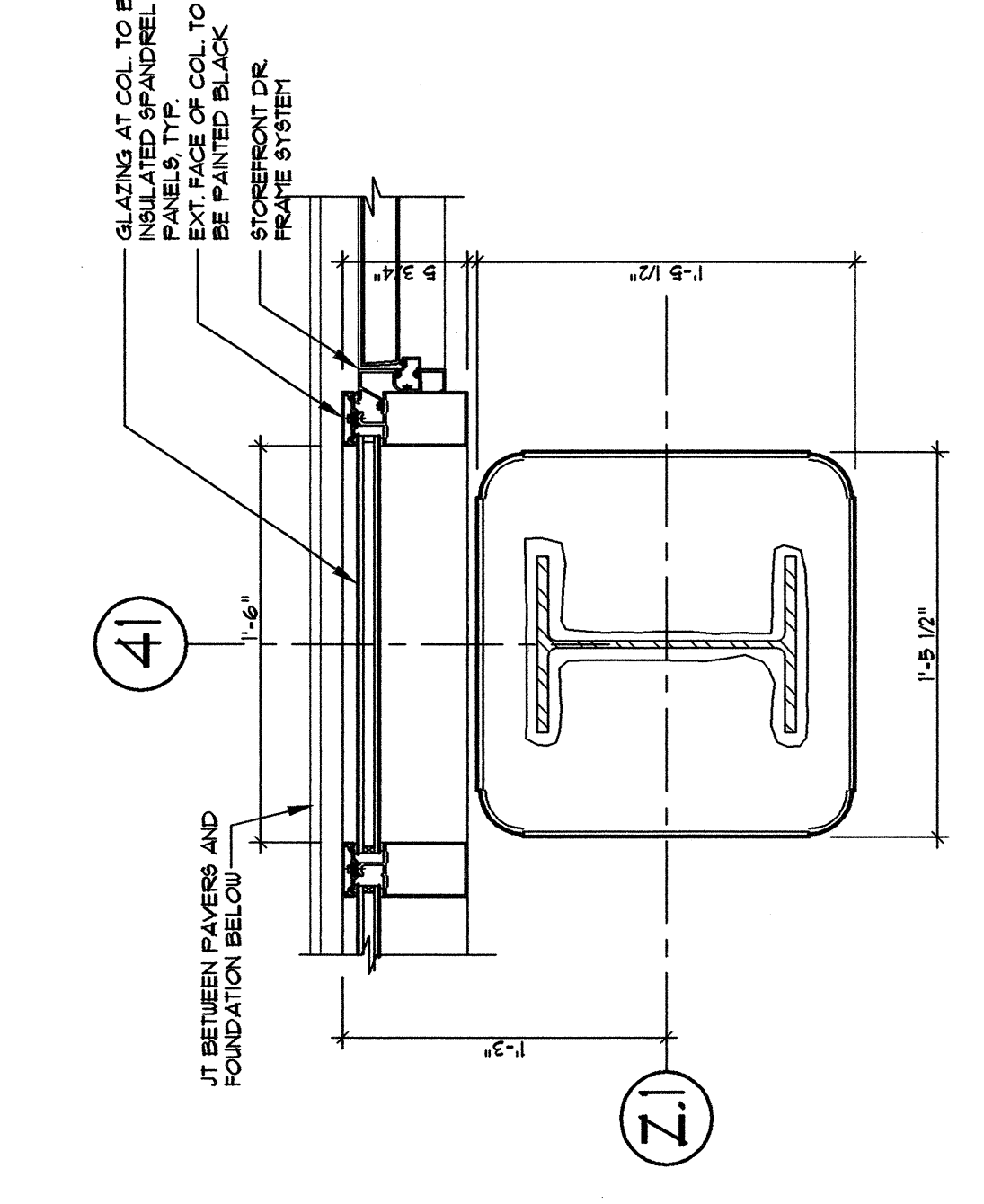


ADDITIONS AND ALTERATIONS
EXPANSION OF BAGGAGE CLAIM FACILITY
PORTLAND INTERNATIONAL AIRPORT, PORTLAND, MAINE



Phillip J. Doughty Assoc. Architects
362 U.S. Route One, Falmouth, Maine 04105 • 207.781.5546

REVISION	DATE	BY	DESCRIPTION
1	4/22/04	JPD	CONCRETE DRAWINGS ISSUED FOR CONSTRUCTION



THIS DRAWING IS A PART OF A SET OF DRAWINGS FOR THE PROJECT. IT IS TO BE USED IN CONJUNCTION WITH THE OTHER DRAWINGS IN THE SET. IT IS NOT TO BE USED SEPARATELY. THE CONTRACTOR SHALL BE RESPONSIBLE FOR OBTAINING ALL NECESSARY PERMITS AND APPROVALS FROM THE APPROPRIATE AGENCIES. THE CONTRACTOR SHALL BE RESPONSIBLE FOR OBTAINING ALL NECESSARY PERMITS AND APPROVALS FROM THE APPROPRIATE AGENCIES.