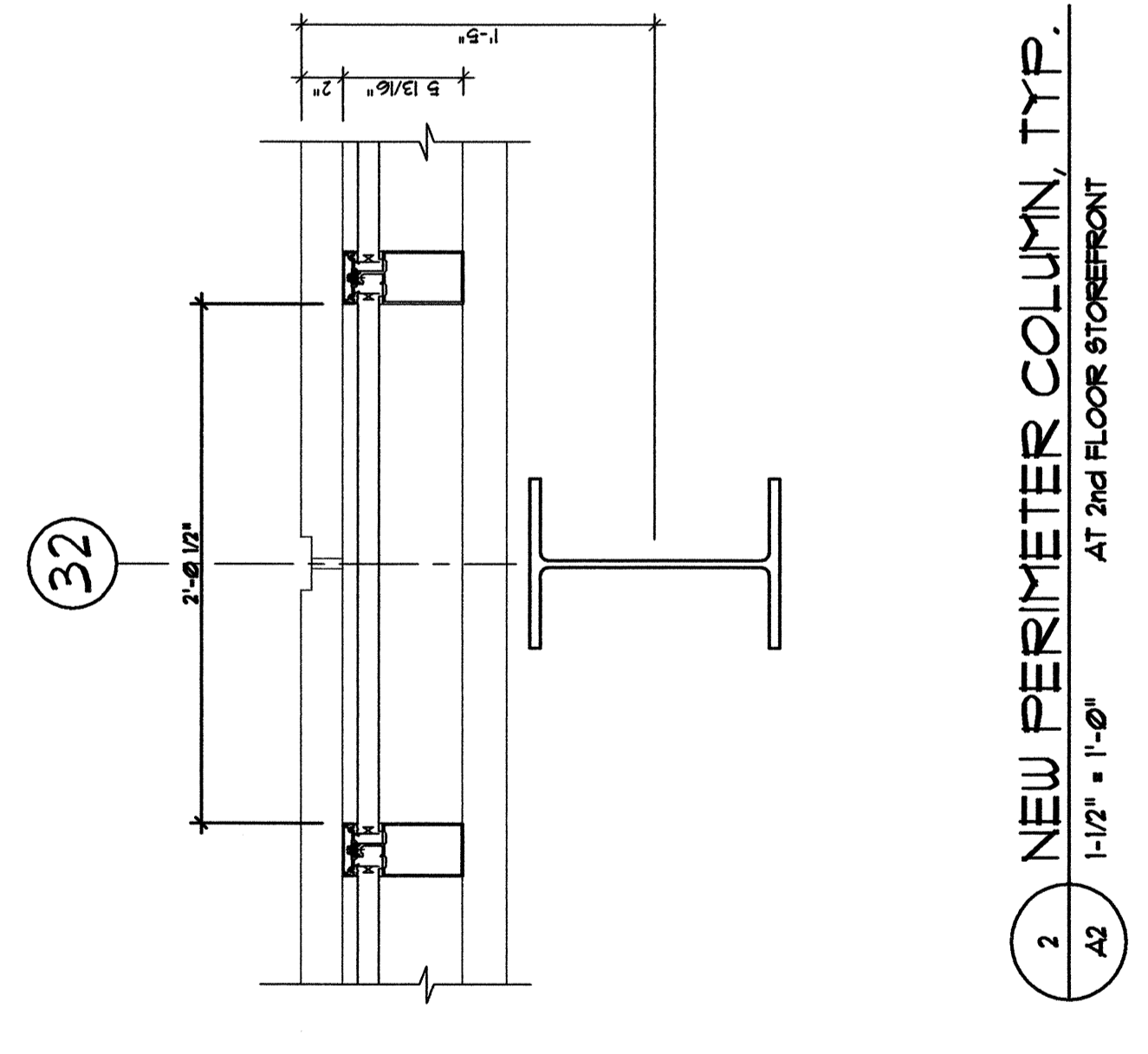
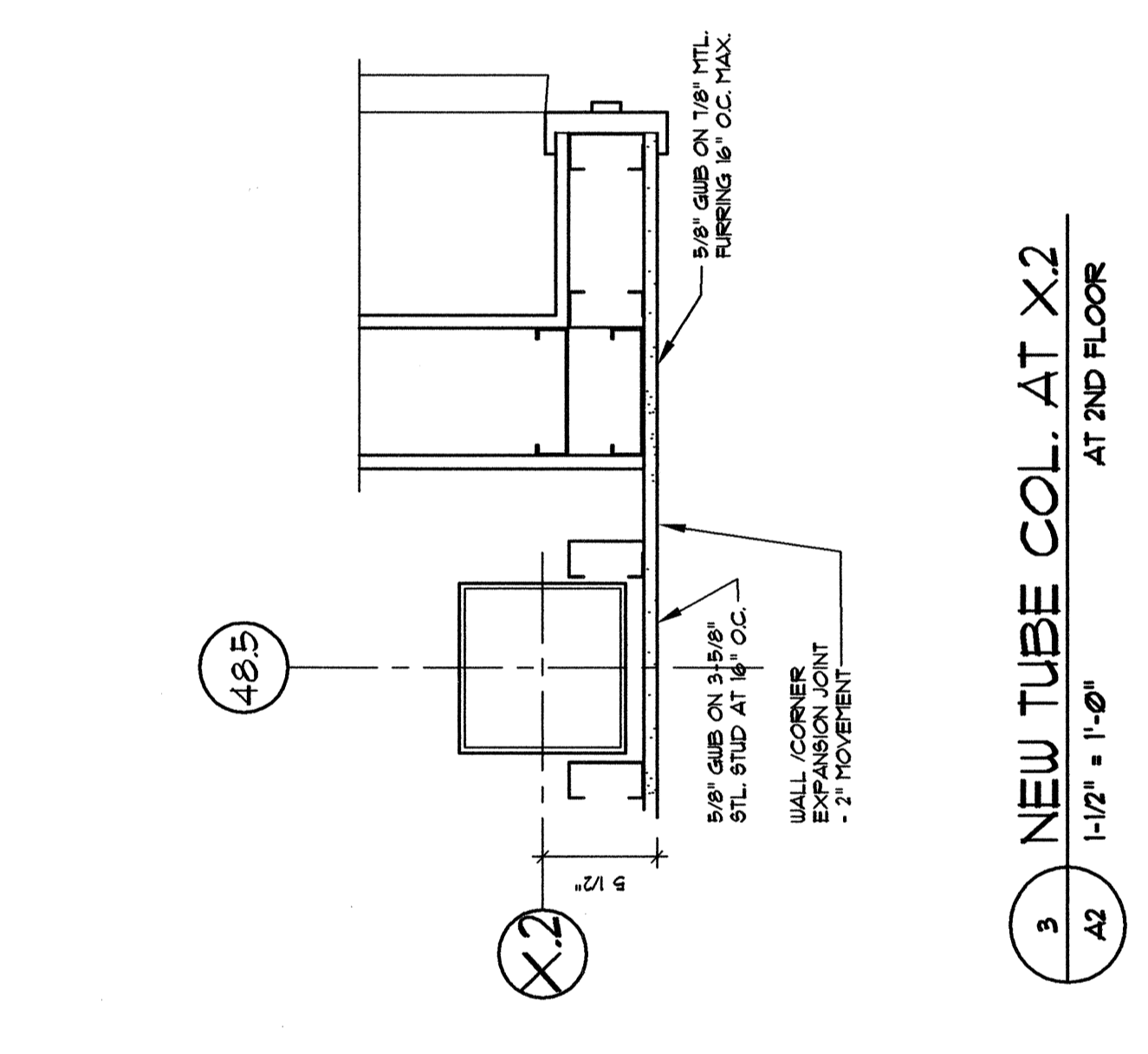


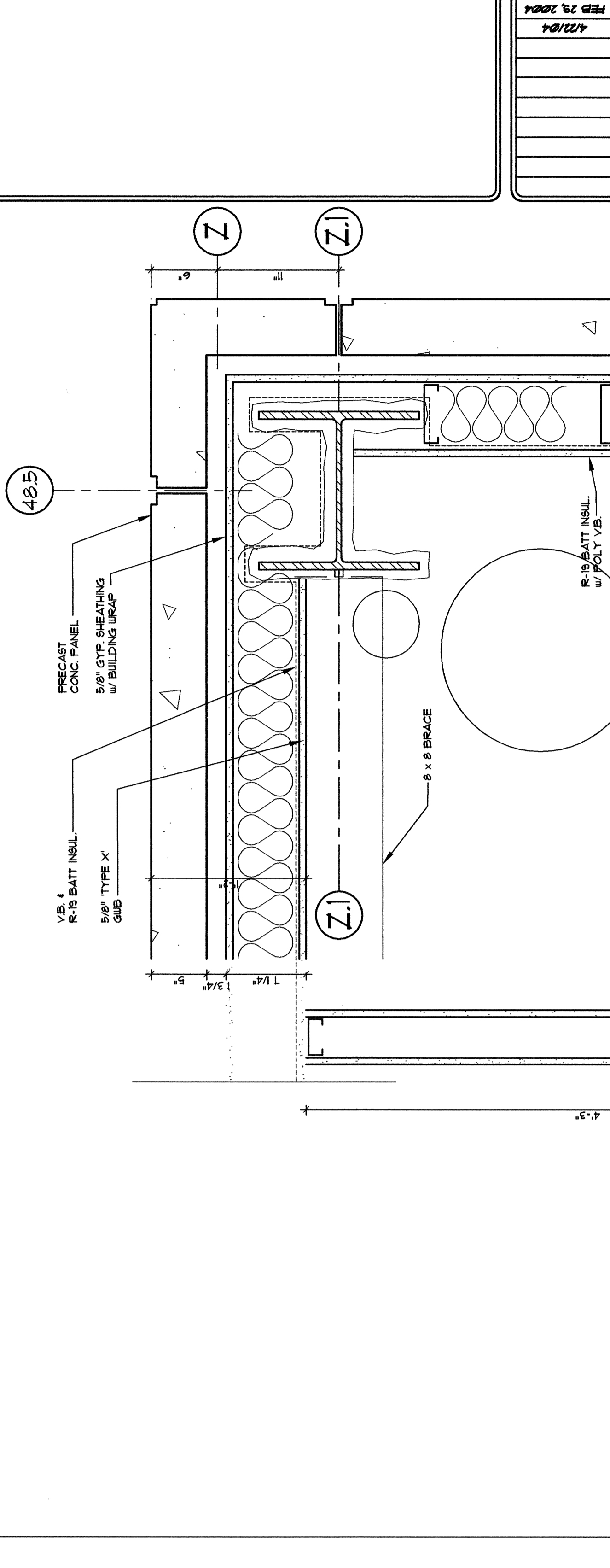
1 EXIST. CORNER AT COL. Z/29
A2 1-1/2" x 1'-0"
AT 2nd FLOOR



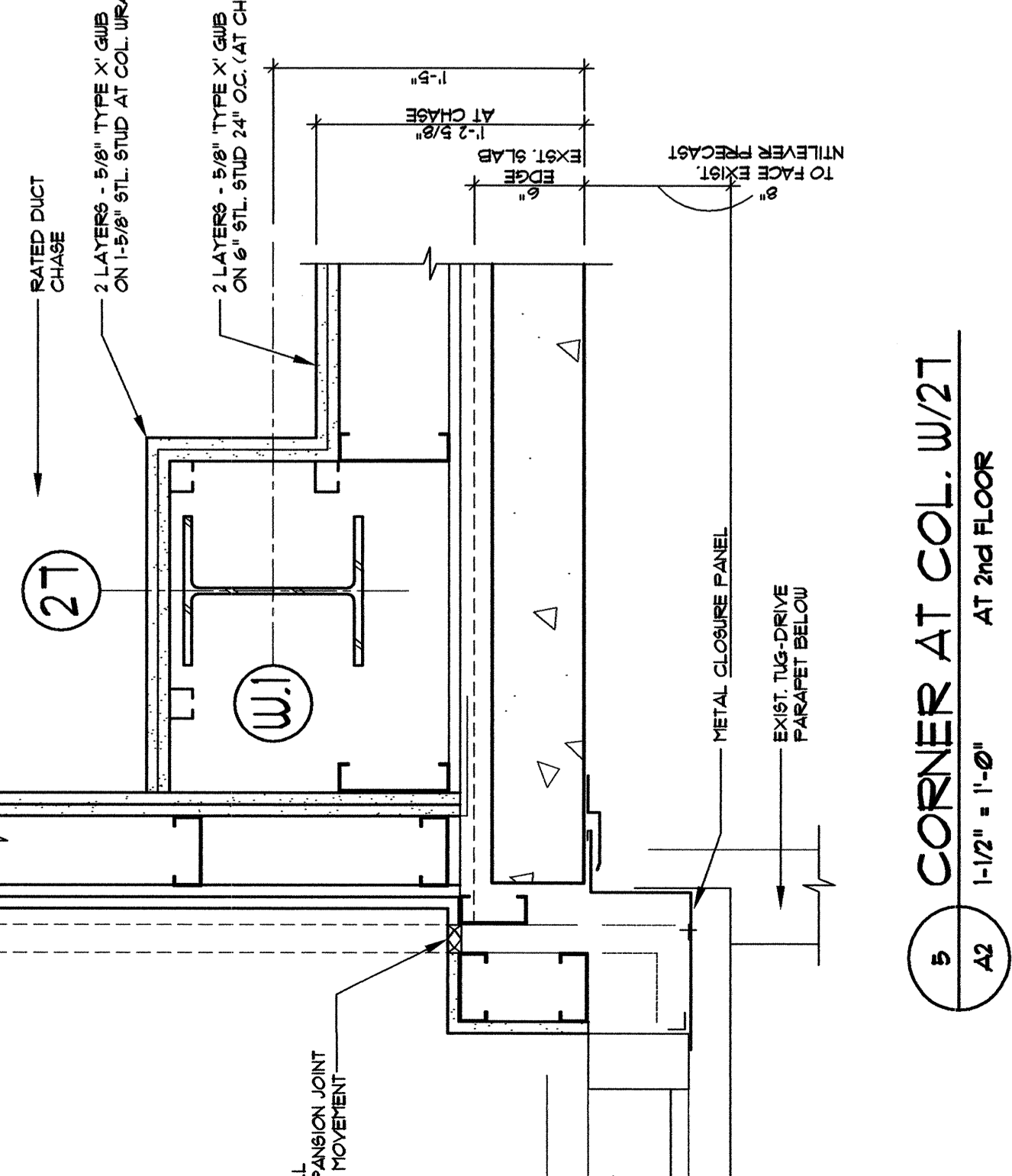
2 NEW PERIMETER COLUMN, TYP.
A2 1-1/2" x 1'-0"
AT 2nd FLOOR STOREFRONT



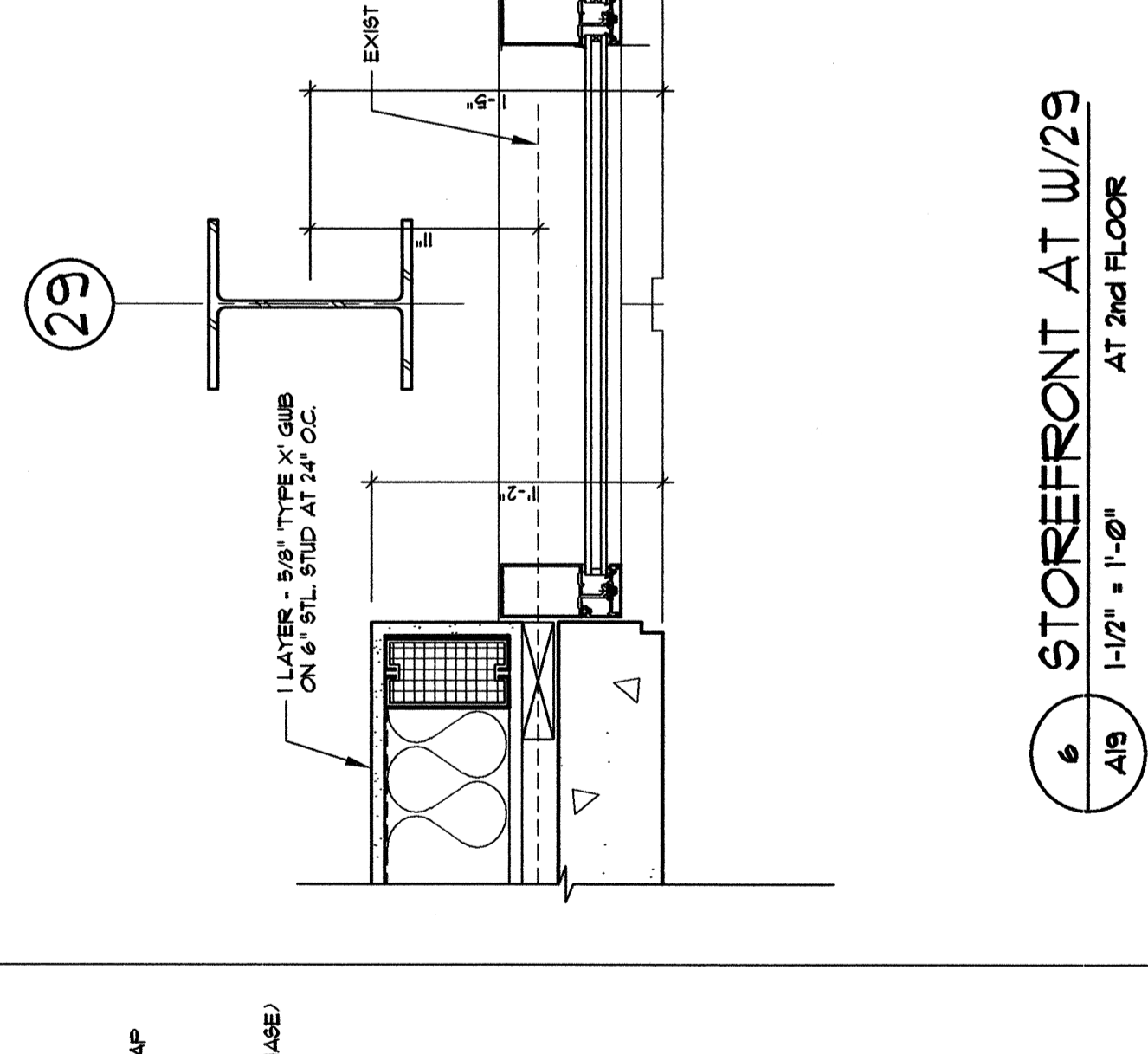
3 NEW TUBE COL. AT X2
A2 1-1/2" x 1'-0"
AT 2nd FLOOR



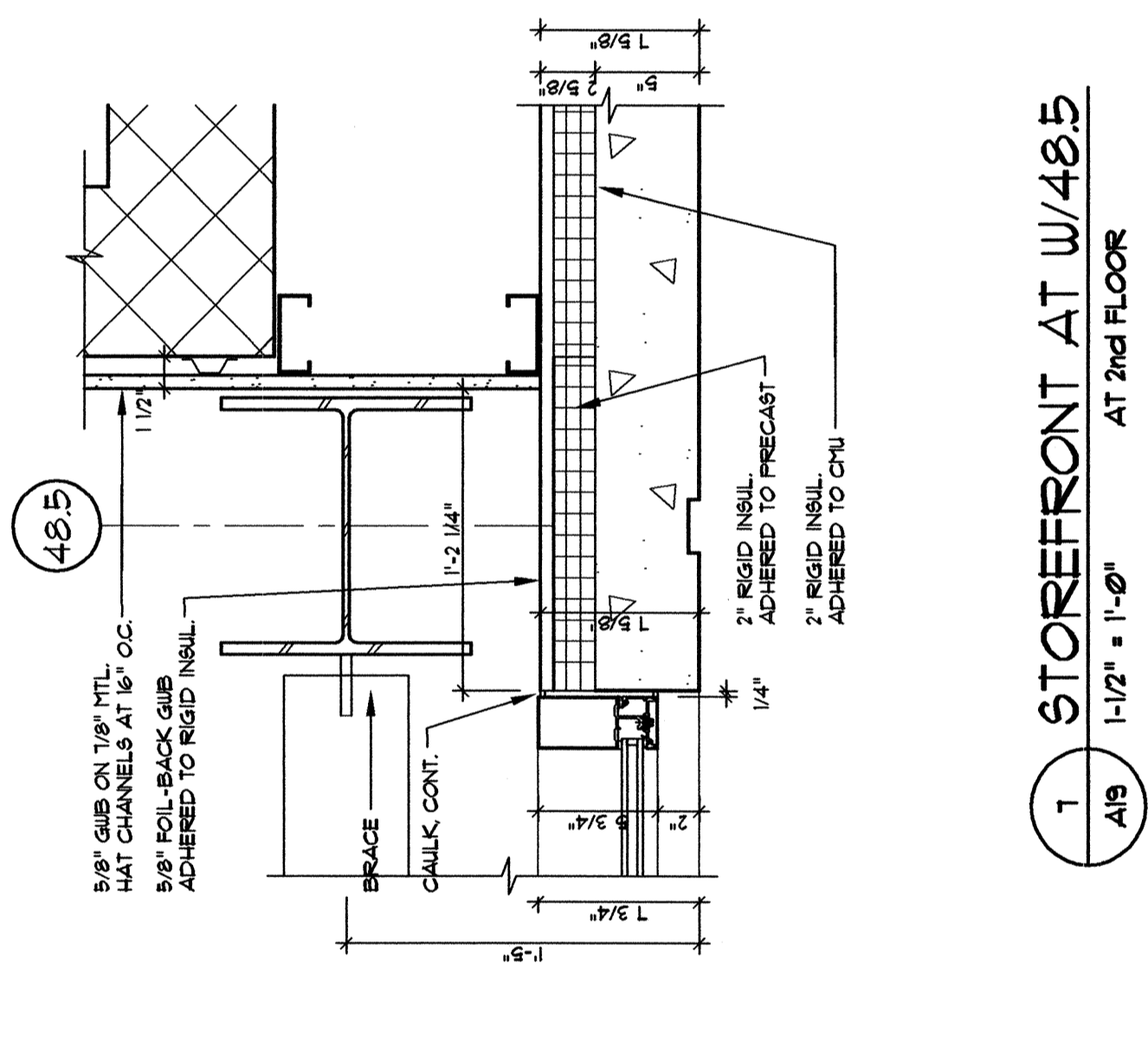
4 CORNER CHASE AT COL. Z/1
A2 1-1/2" x 1'-0"
2nd Floor



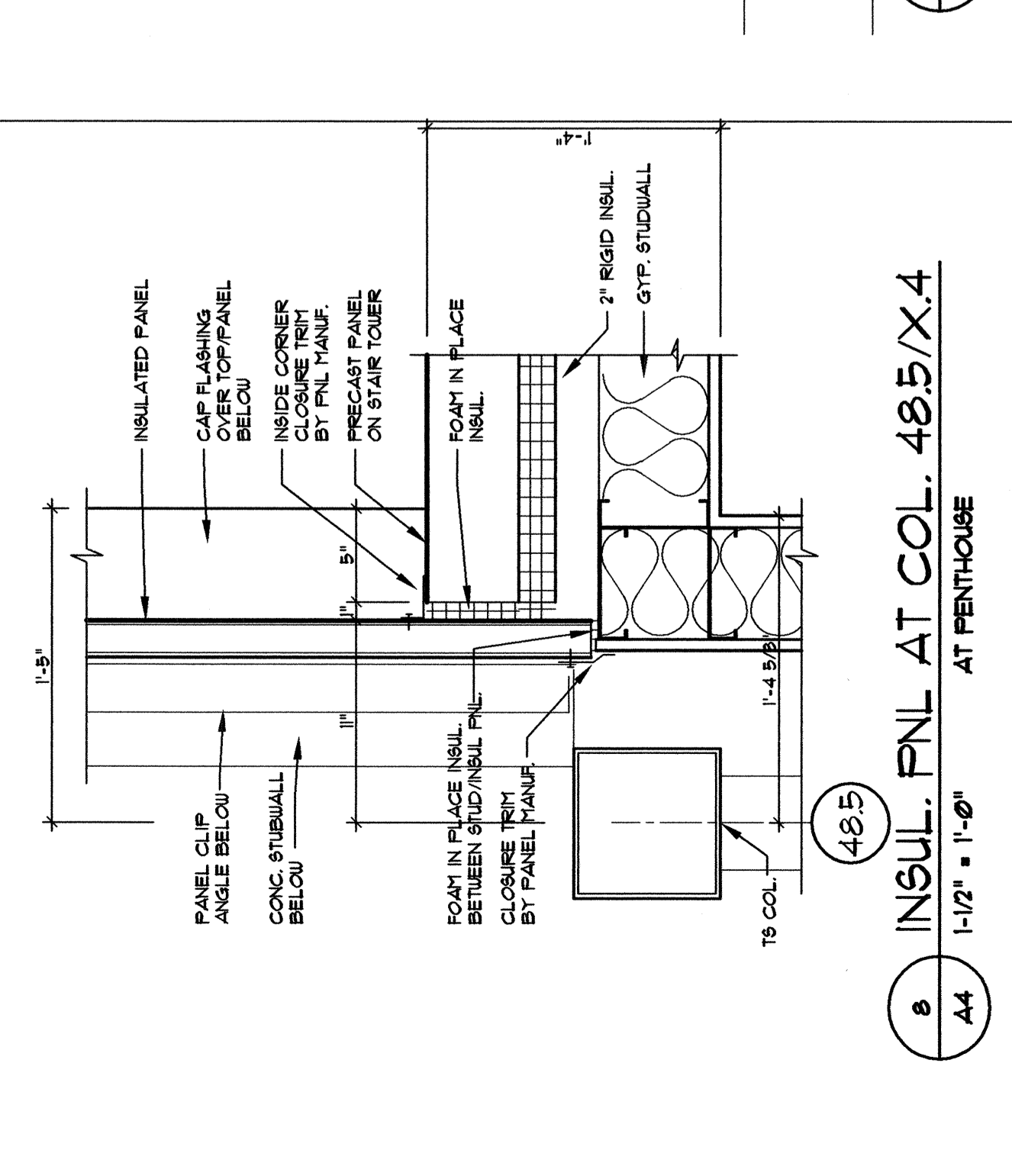
5 CORNER AT COL. W/21
A2 1-1/2" x 1'-0"
AT 2nd FLOOR



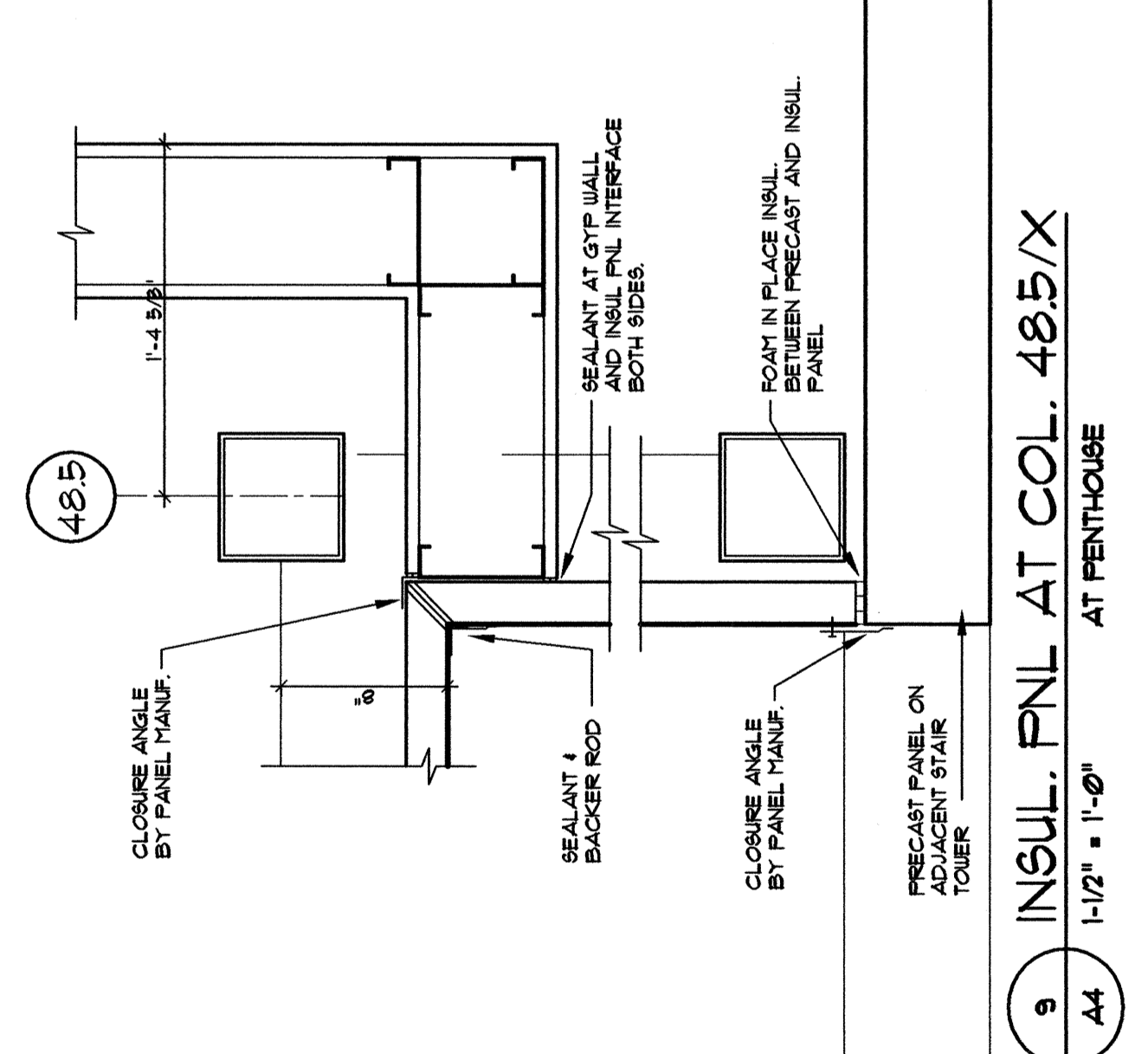
6 STOREFRONT AT W/29
A2 1-1/2" x 1'-0"
AT 2nd FLOOR



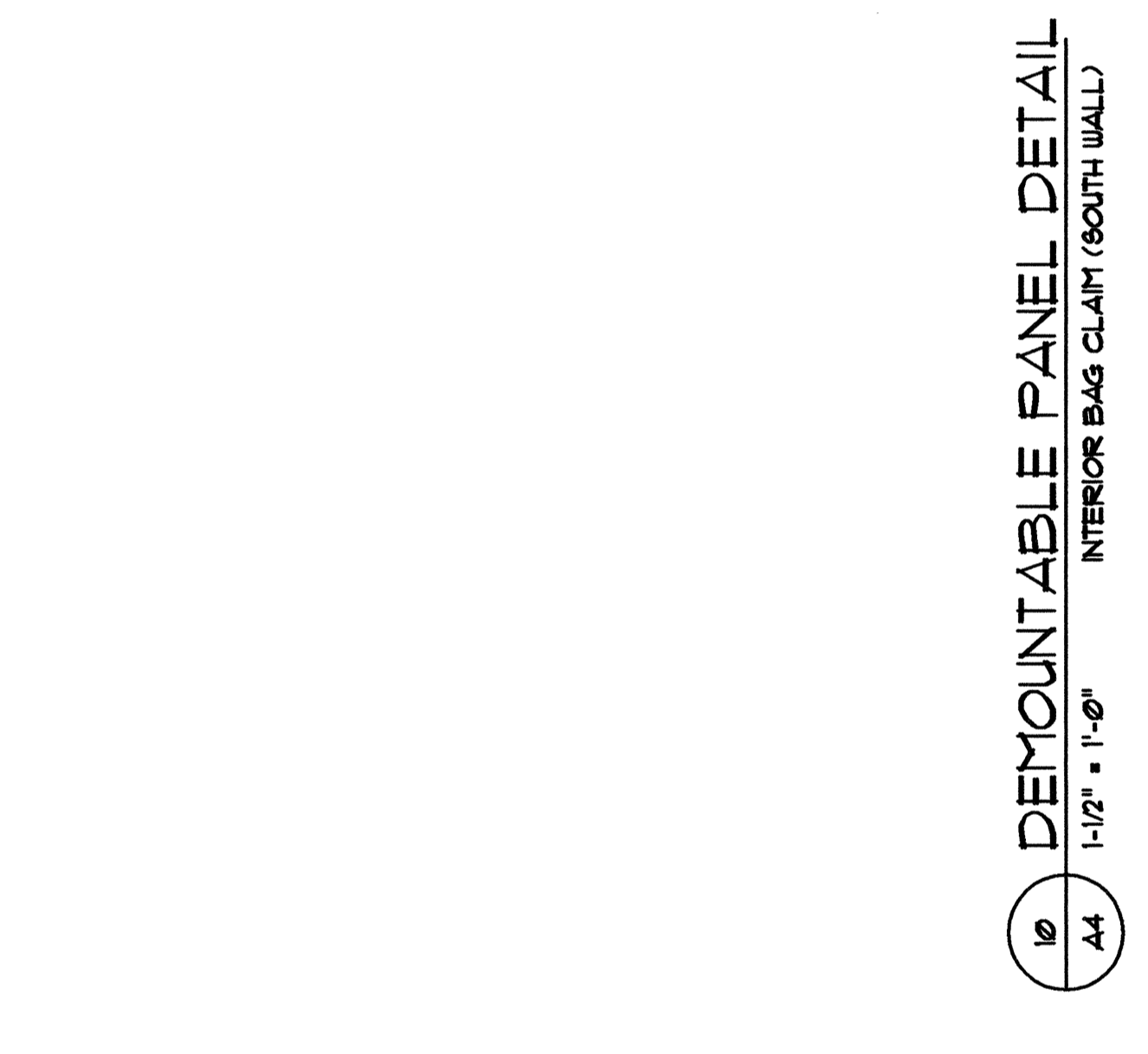
7 STOREFRONT AT W/485
A2 1-1/2" x 1'-0"
AT 2nd FLOOR



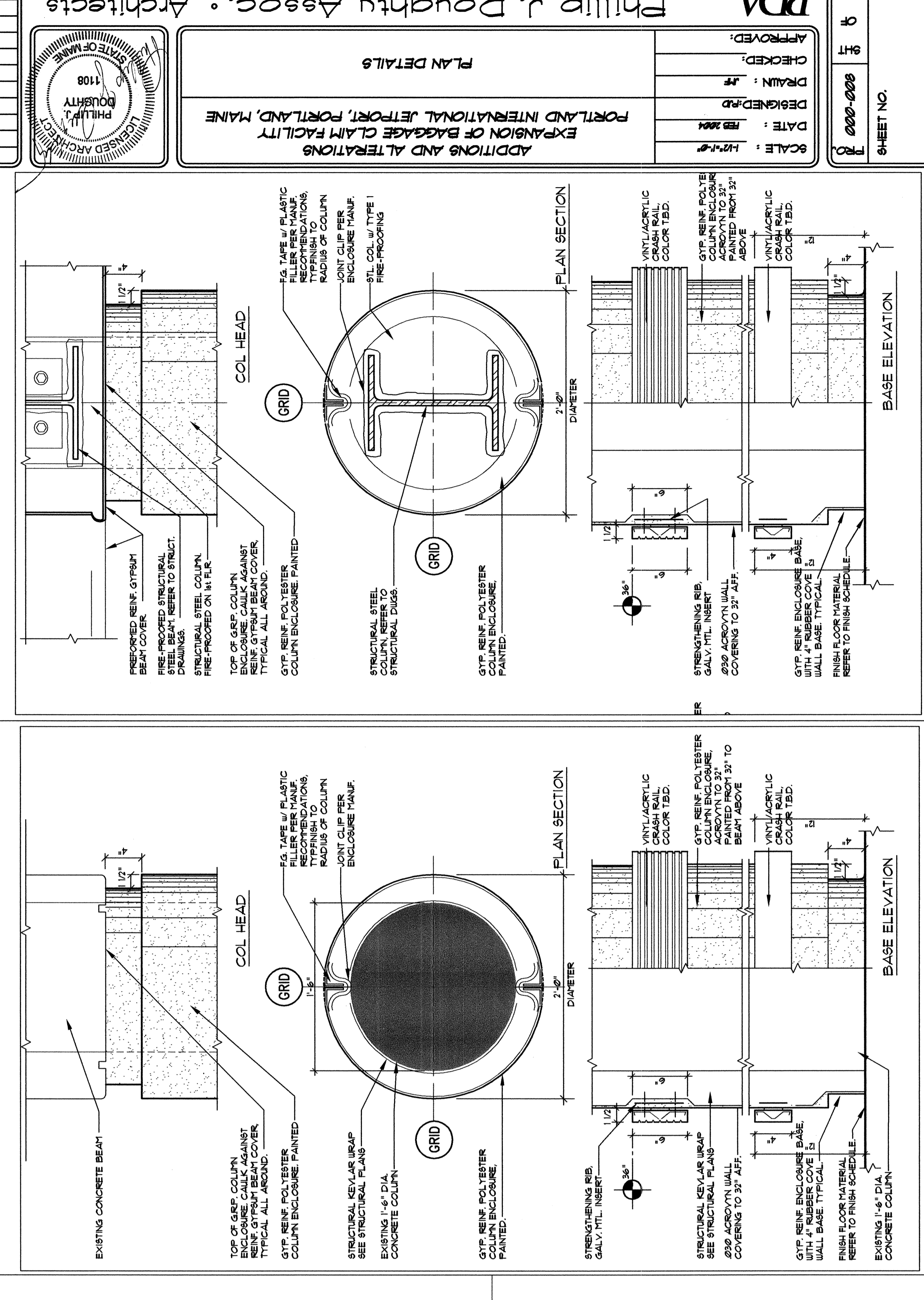
8 INSUL. PNL AT COL. 485/X.4
A4 1-1/2" x 1'-0"
AT FENTHOUSE



9 INSUL. PNL AT COL. 485/X
A4 1-1/2" x 1'-0"
AT FENTHOUSE

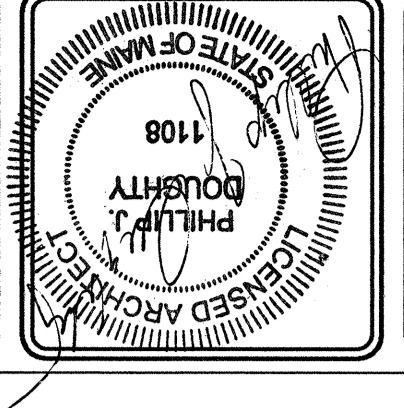


10 DEMOUNTABLE PANEL DETAIL
A4 1-1/2" x 1'-0"
INTERIOR BAG CLAIM (SOUTH WALL)
AT 2nd FLOOR



11 TYP. NEW ROUND COL ENCLOSURE
A1 1-1/2" x 1'-0"

12 TYP. EXIST. ROUND COL ENCLOSURE
A1 1-1/2" x 1'-0"



EXPANSION OF BAGGAGE CLAIM FACILITY
PORTLAND INTERNATIONAL AIRPORT, PORTLAND, MAINE
ADDITIONS AND ALTERATIONS
PLAN DETAILS

| | |
|--------------|----------|
| DATE: | FEB 2004 |
| DESIGNED BY: | JLD |
| CHECKED BY: | JLD |
| APPROVED BY: | |