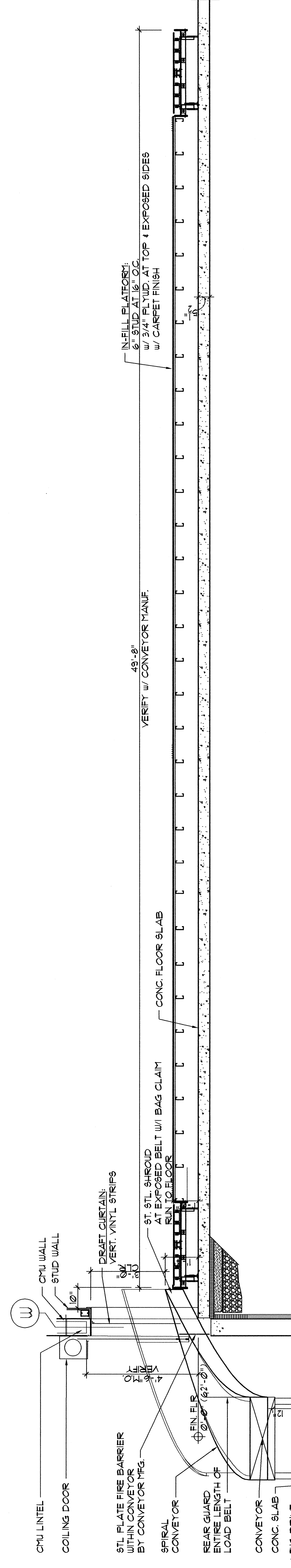
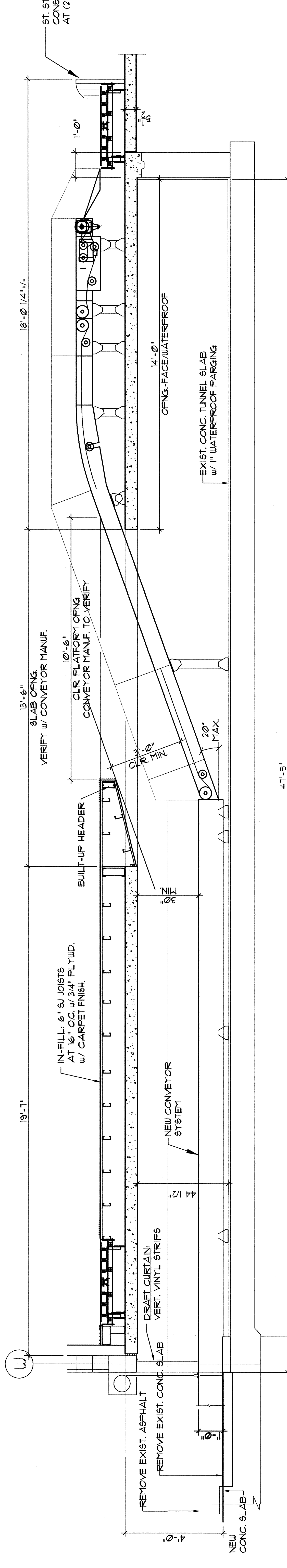


REVISION	DESCRIPTION	DATE
1	CONFORMED DRAWING ISSUED FOR CONSTRUCTION	4/22/04
2	REVISED	
3	REVISED	
4	REVISED	
5	REVISED	
6	REVISED	
7	REVISED	
8	REVISED	
9	REVISED	
10	REVISED	

1 CONVEYOR C - SECTION
SCALE: 1/2" = 1'-0"



2 NEW CONVEYOR TUNNEL B - SECTION
SCALE: 1/2" = 1'-0"



3 EXISTING CONVEYOR TUNNEL NO. B - PLAN
SCALE: 1/2" = 1'-0"

