

**DOMENECH
HICKS &
KROCKMALNIC
ARCHITECTS**

155 Massachusetts Ave.
Boston, MA 02115
617-267-6488
Fax 617-267-1990

BECKER
STRUCTURAL ENGINEERS, INC.

75 York Street
Boston, MA 02116
Tel: 617-267-1888
Fax: 617-267-1889

**Confirmed-Set
for Field Use**

CITY OF PORTLAND
PORTLAND, MAINE

DEPARTMENT OF
WATERFRONT AND
TRANSPORTATION

PORTLAND
INTERNATIONAL
JETPORT

PHASE II
PARKING GARAGE

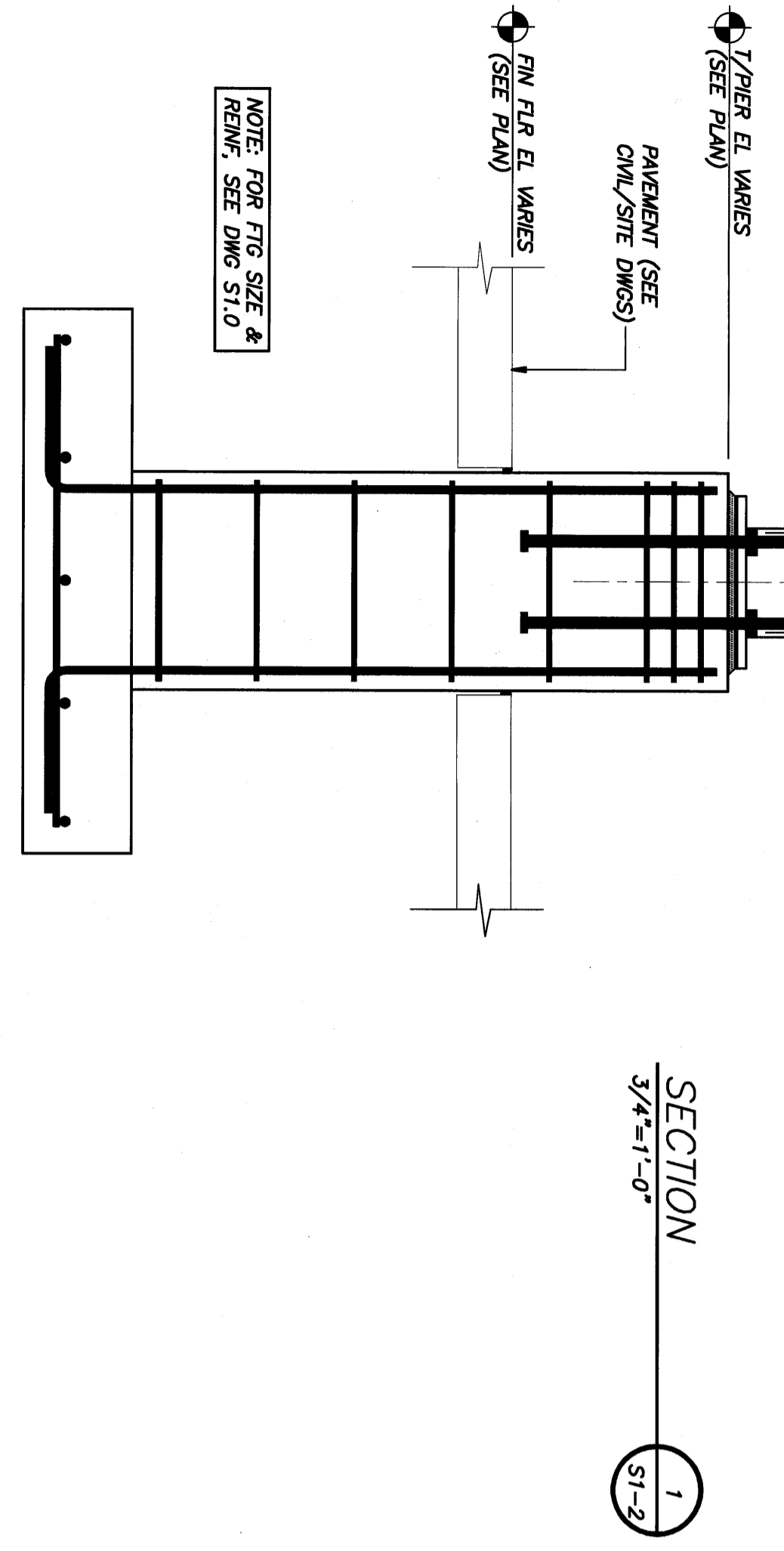
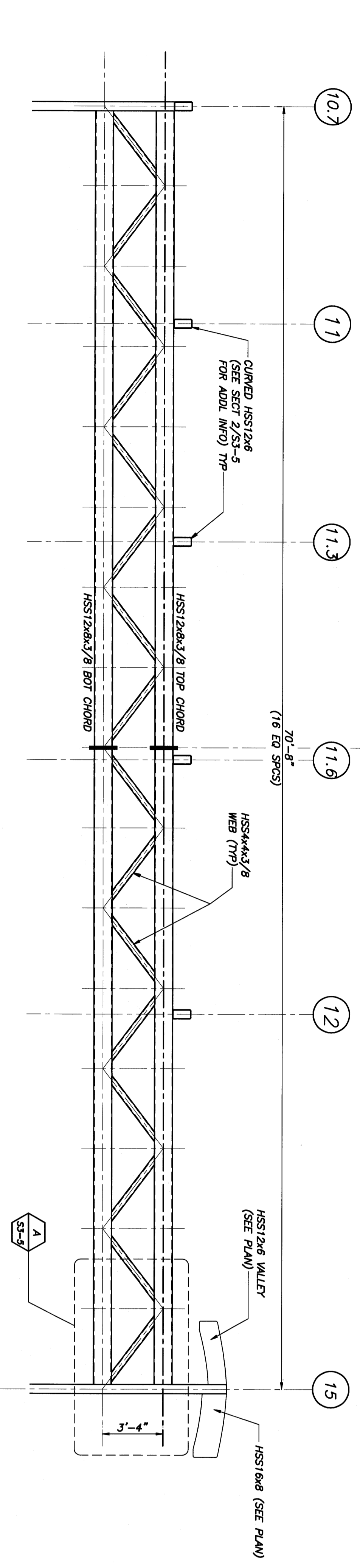
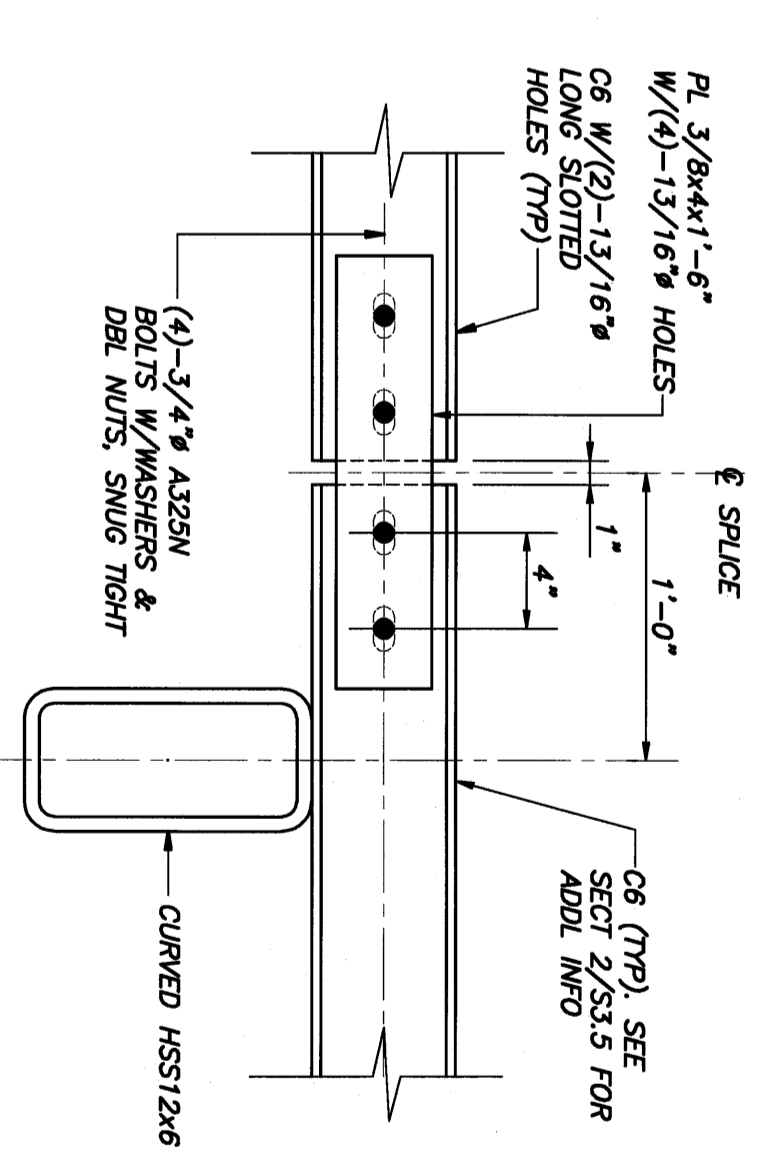
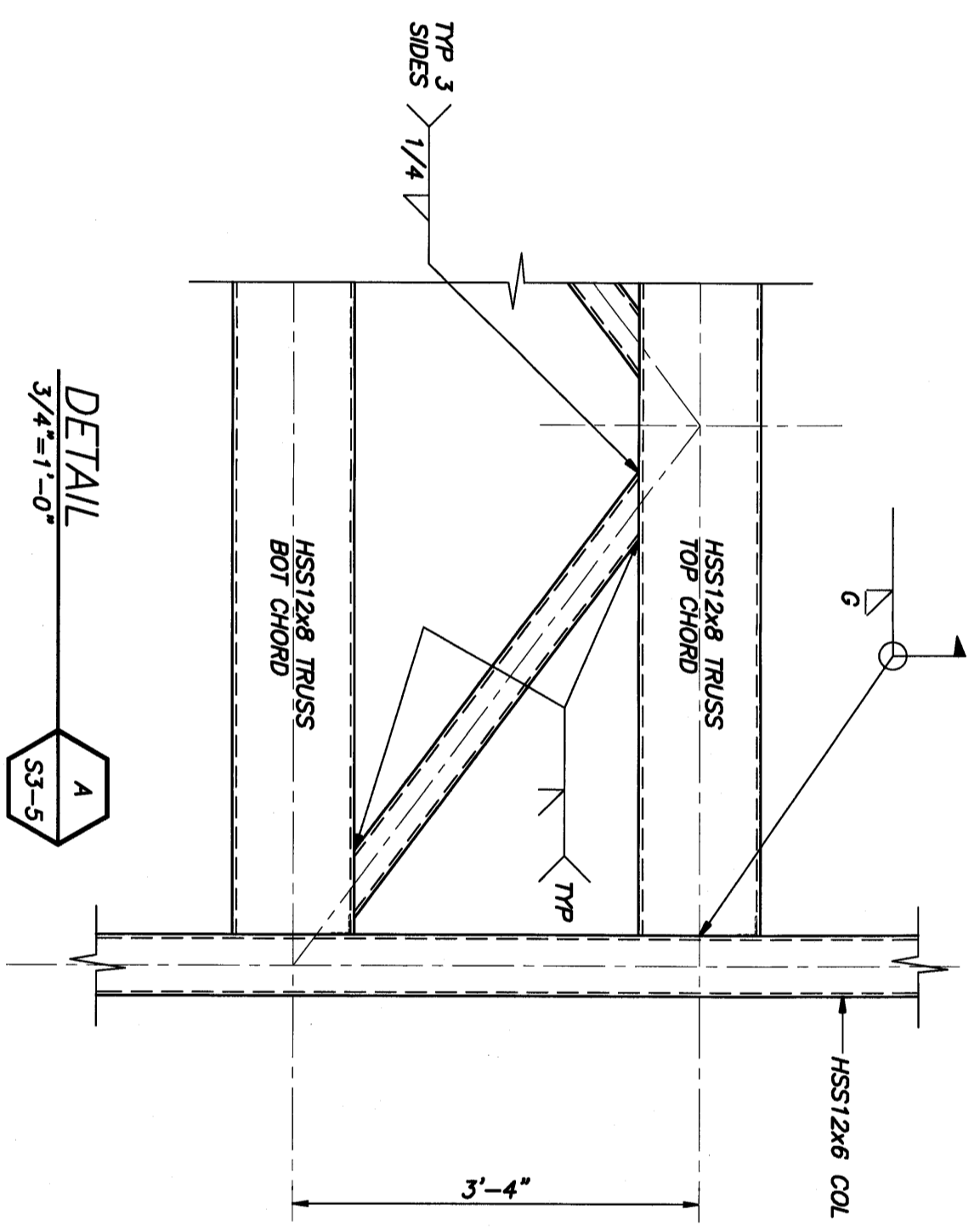
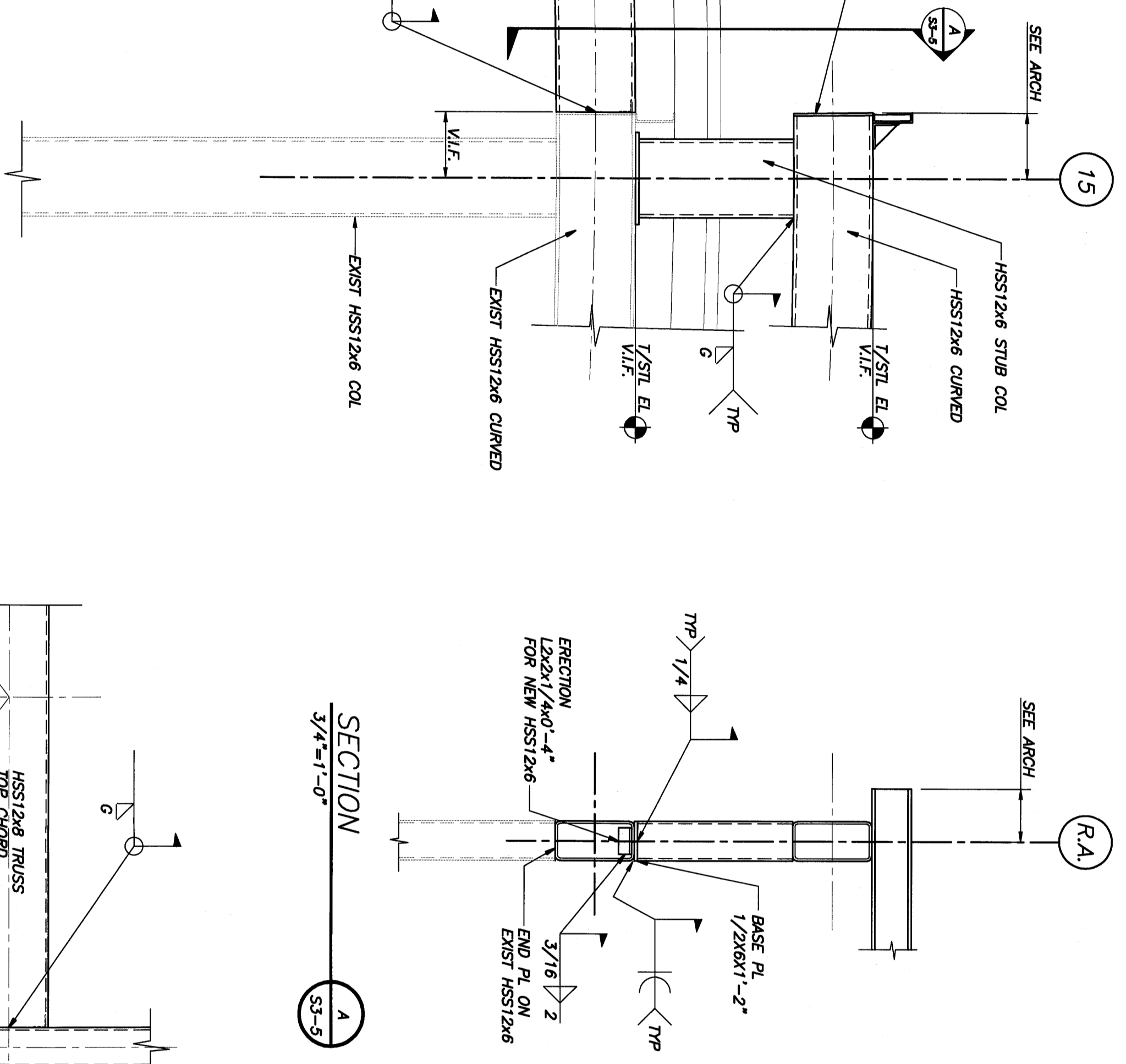
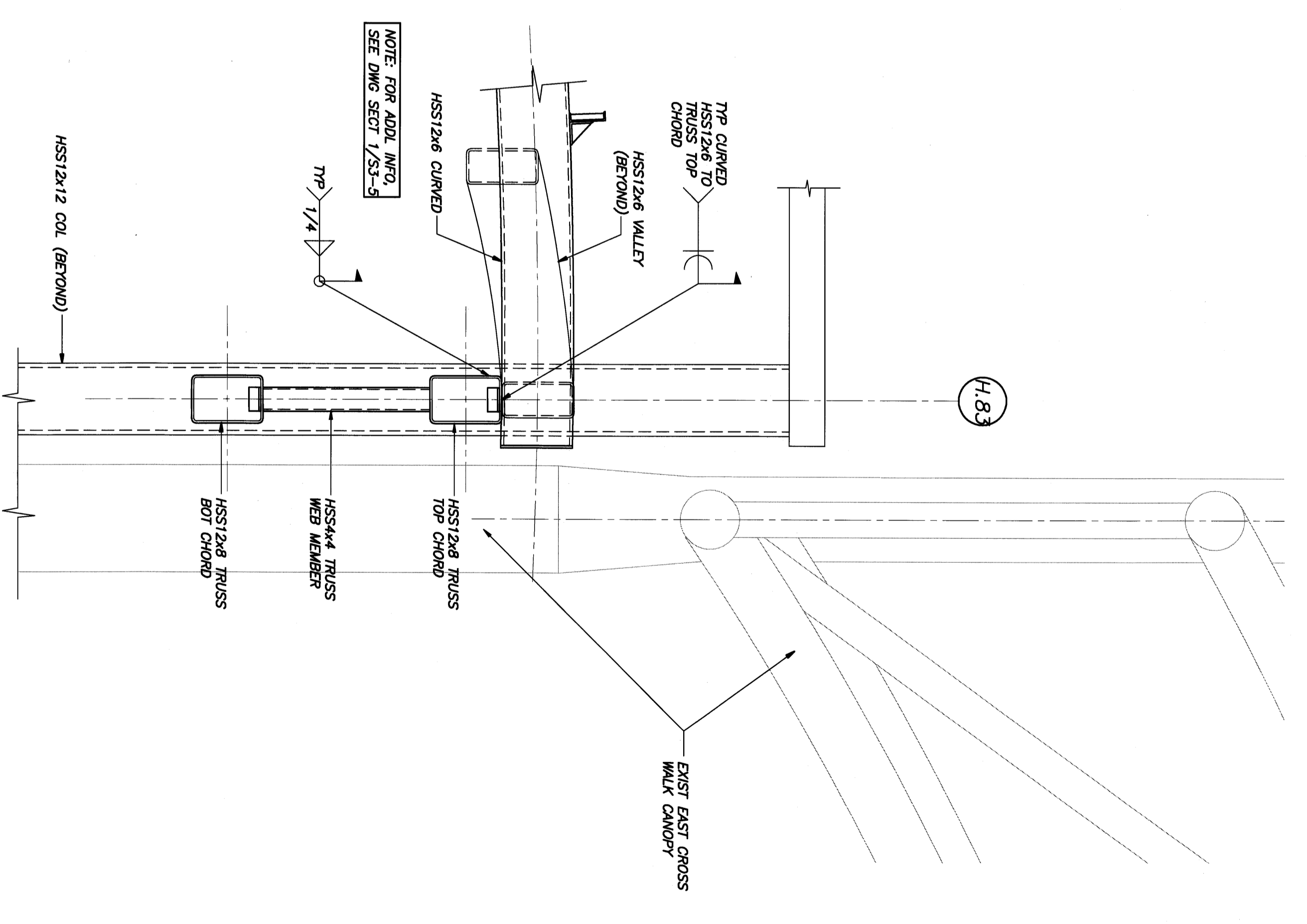
1001 WESTBROOK ST.,
PORTLAND, MAINE

**CANOPY SECTIONS
& DETAILS**

No.	Date	Revision

Scale: NOTED

Drawn by: **SEI**
Checked by: TMM
Date: 10/14/08
Title: S3-5
Sheet: 2/25/2008



If this sheet is less than 30"x42" in size, it has been reduced. Graphic scales must be adjusted accordingly.