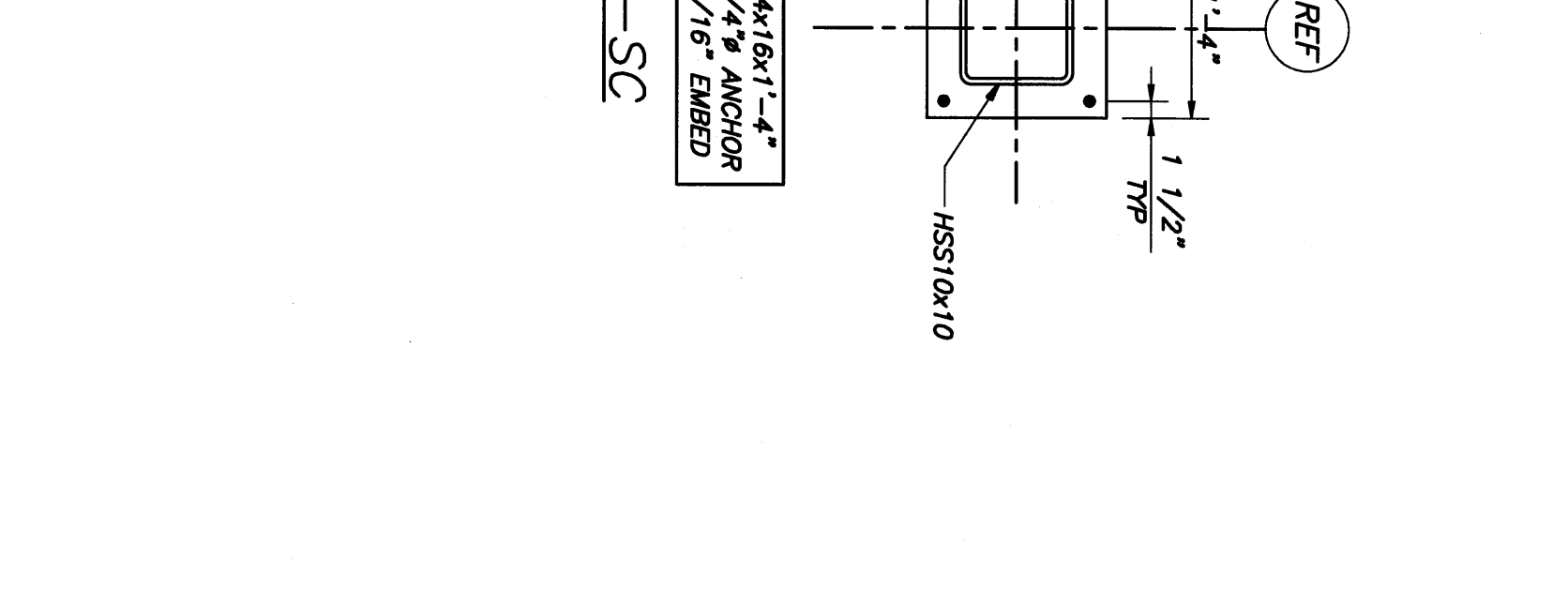
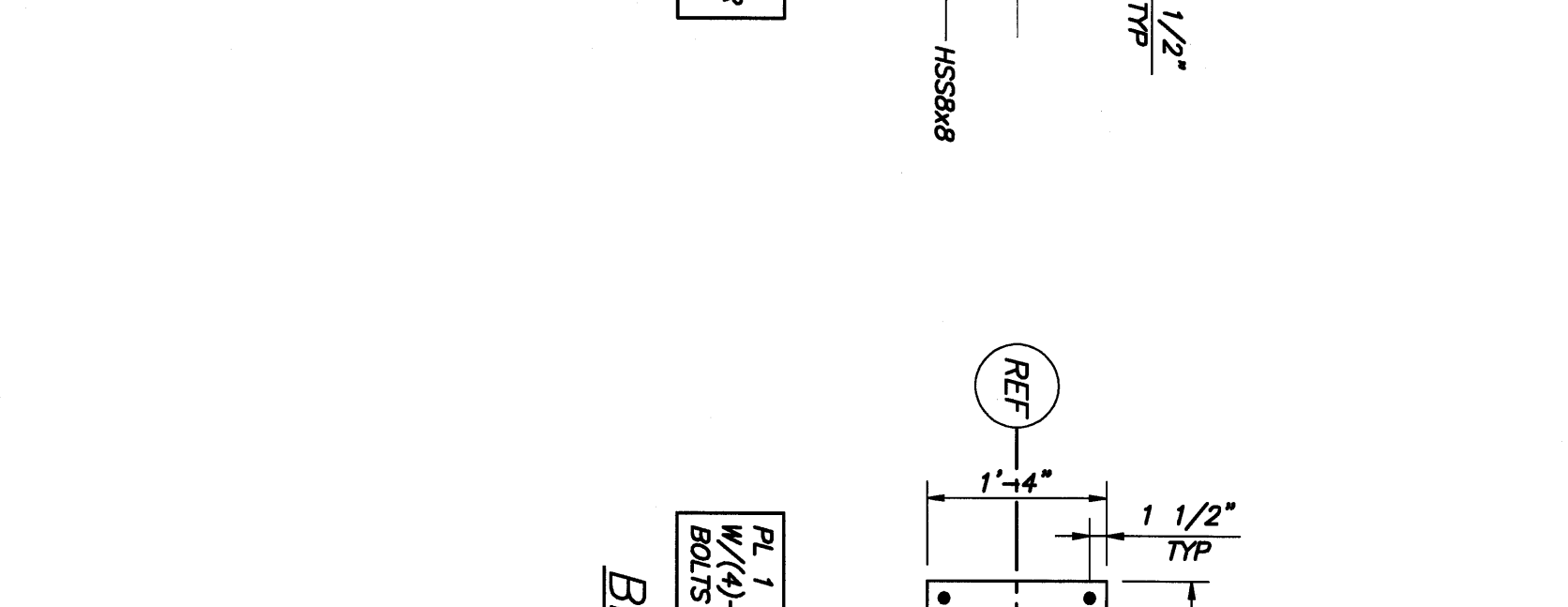
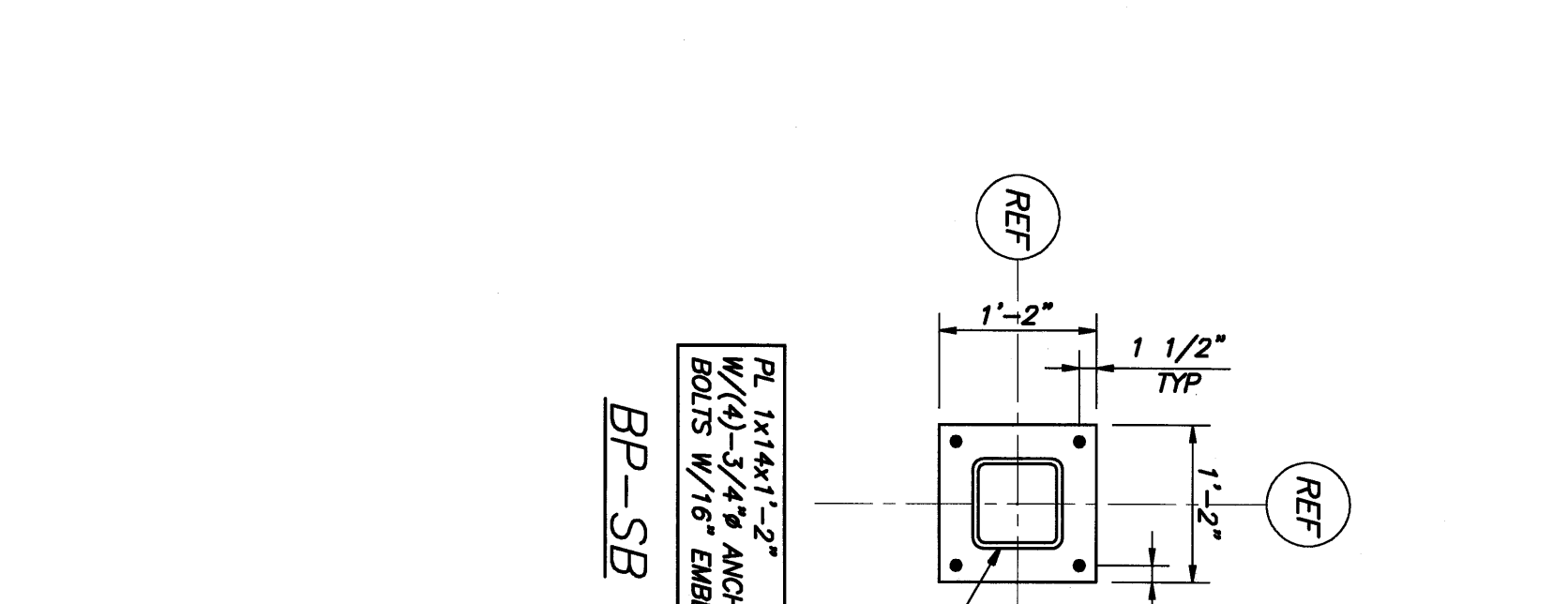
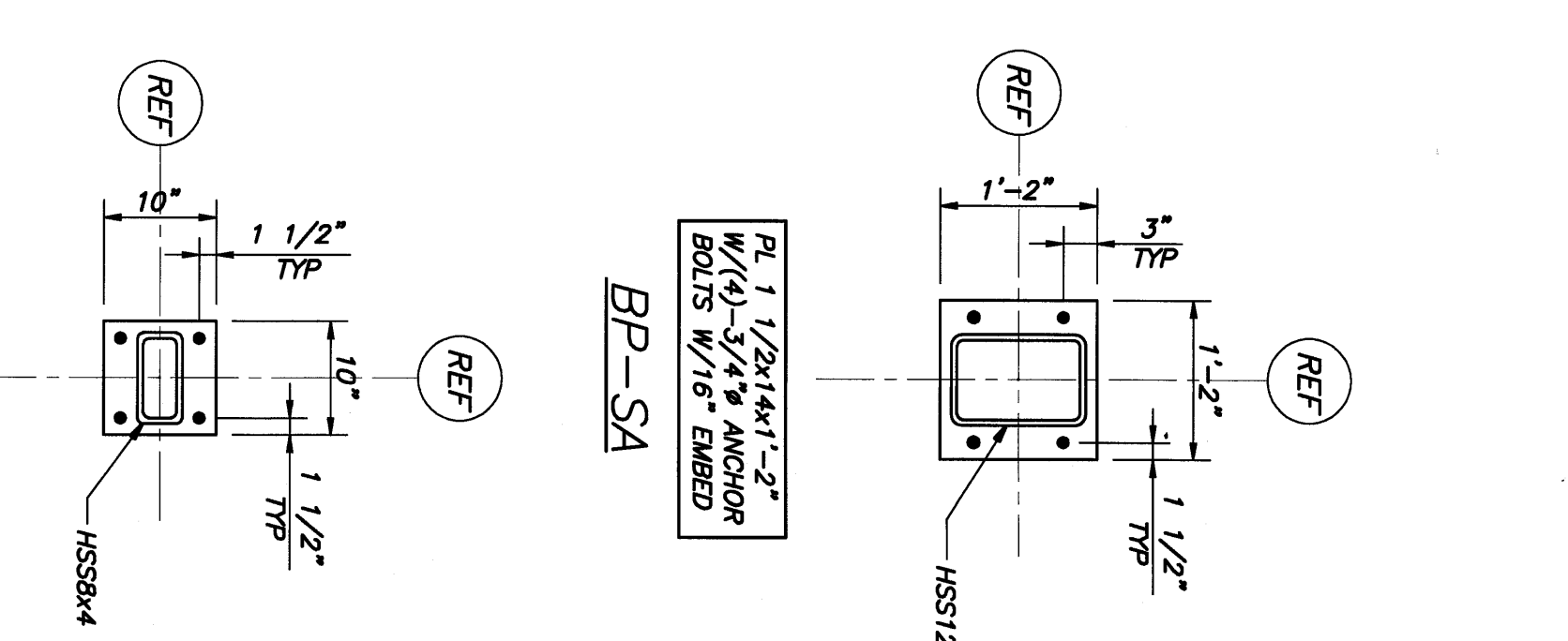
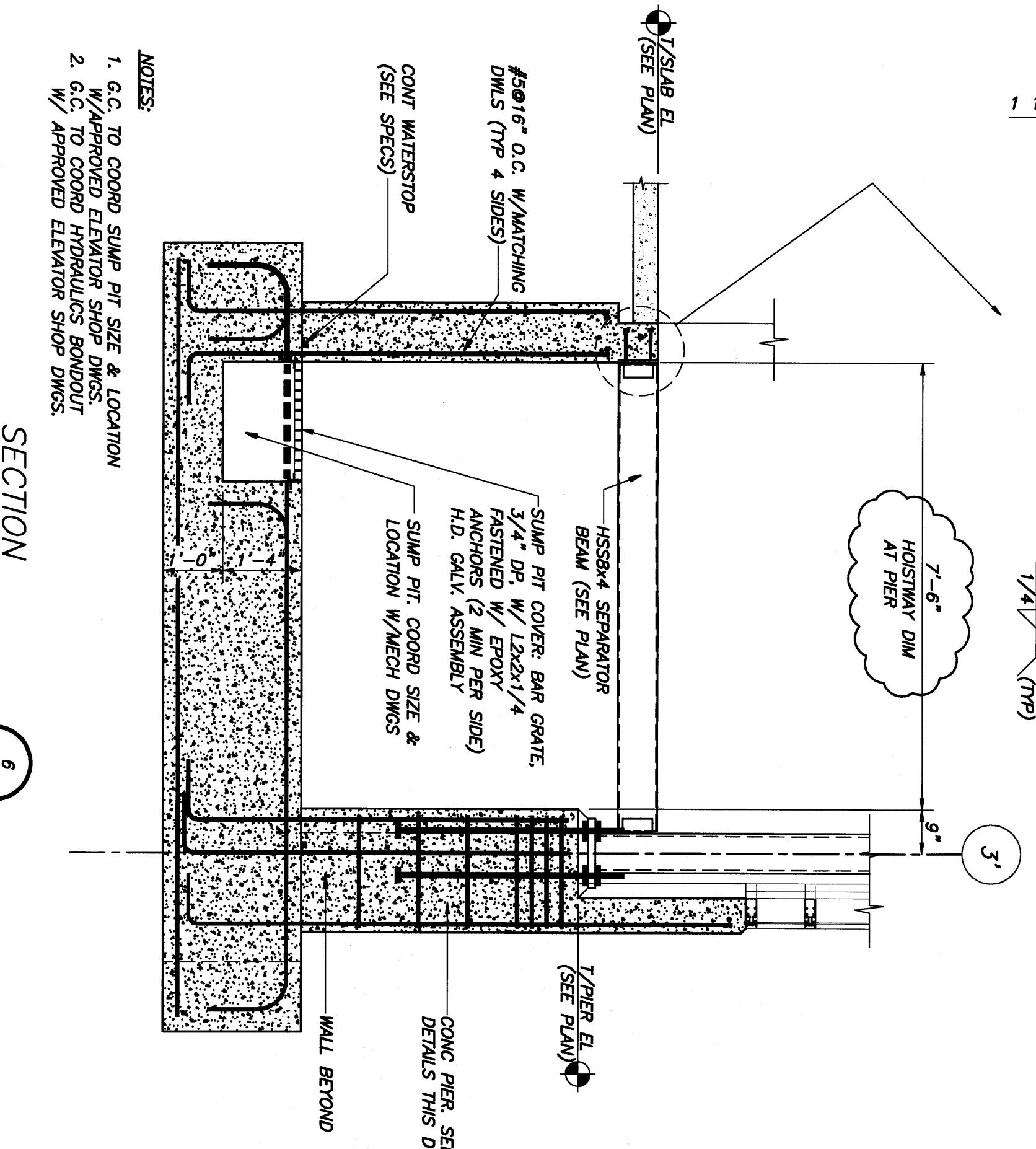
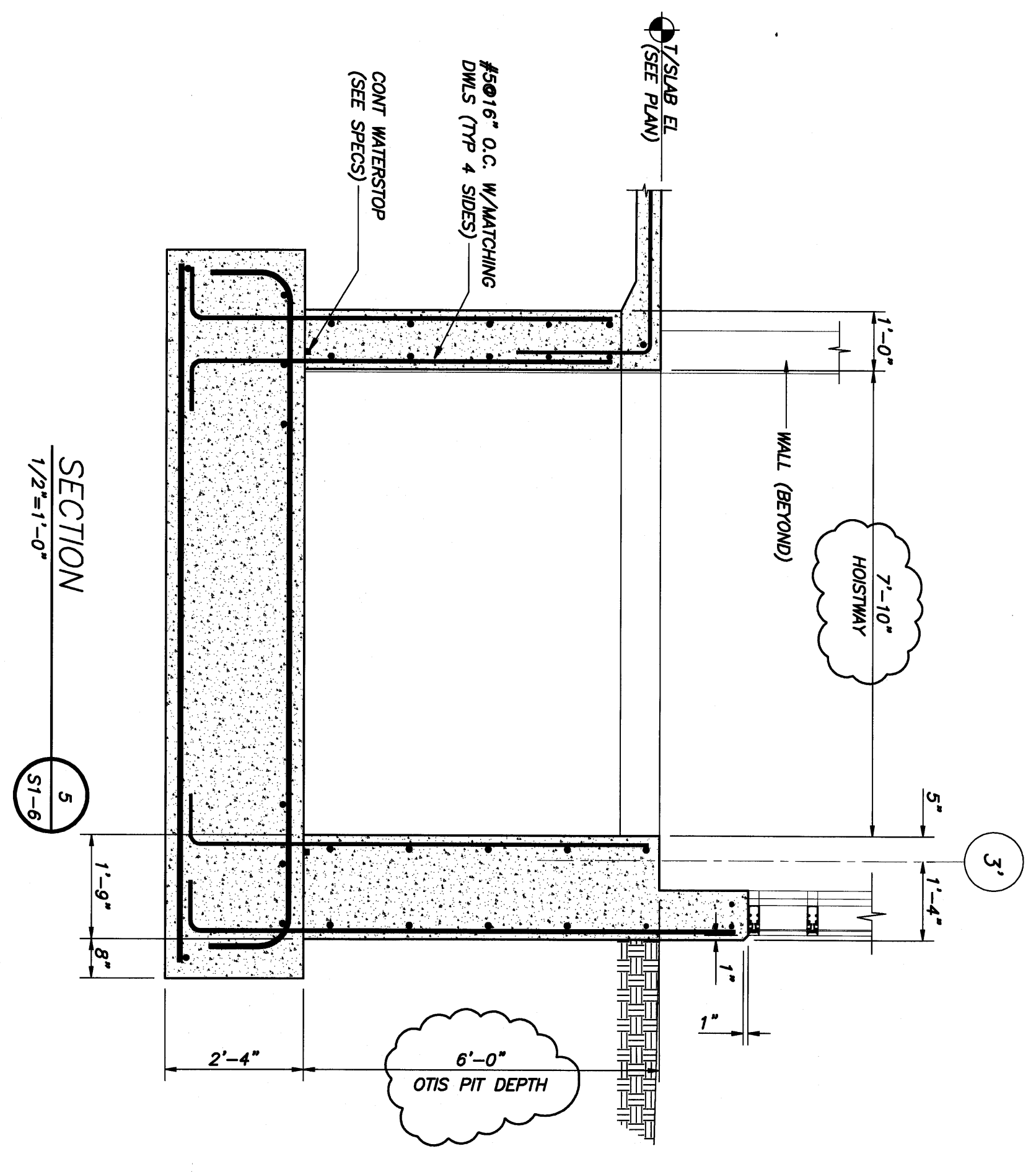
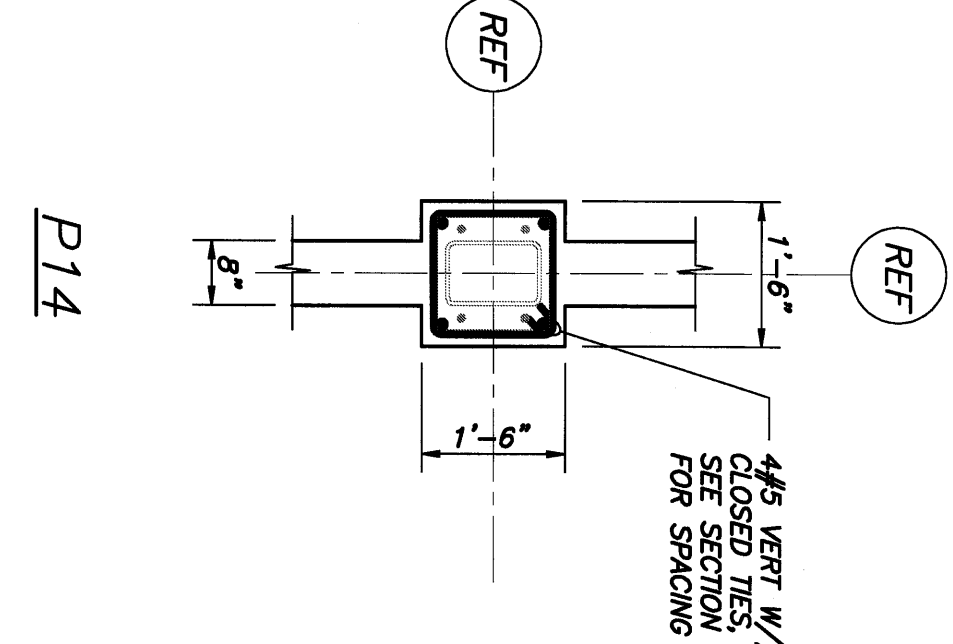
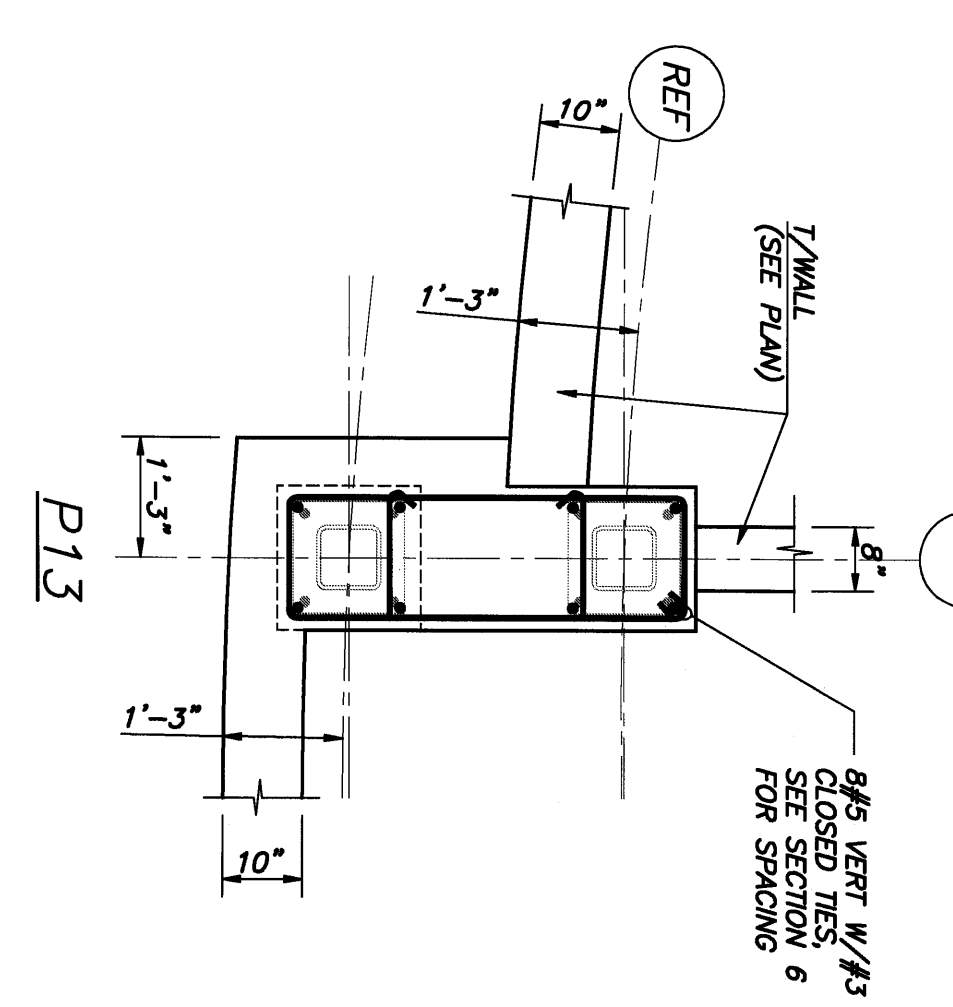
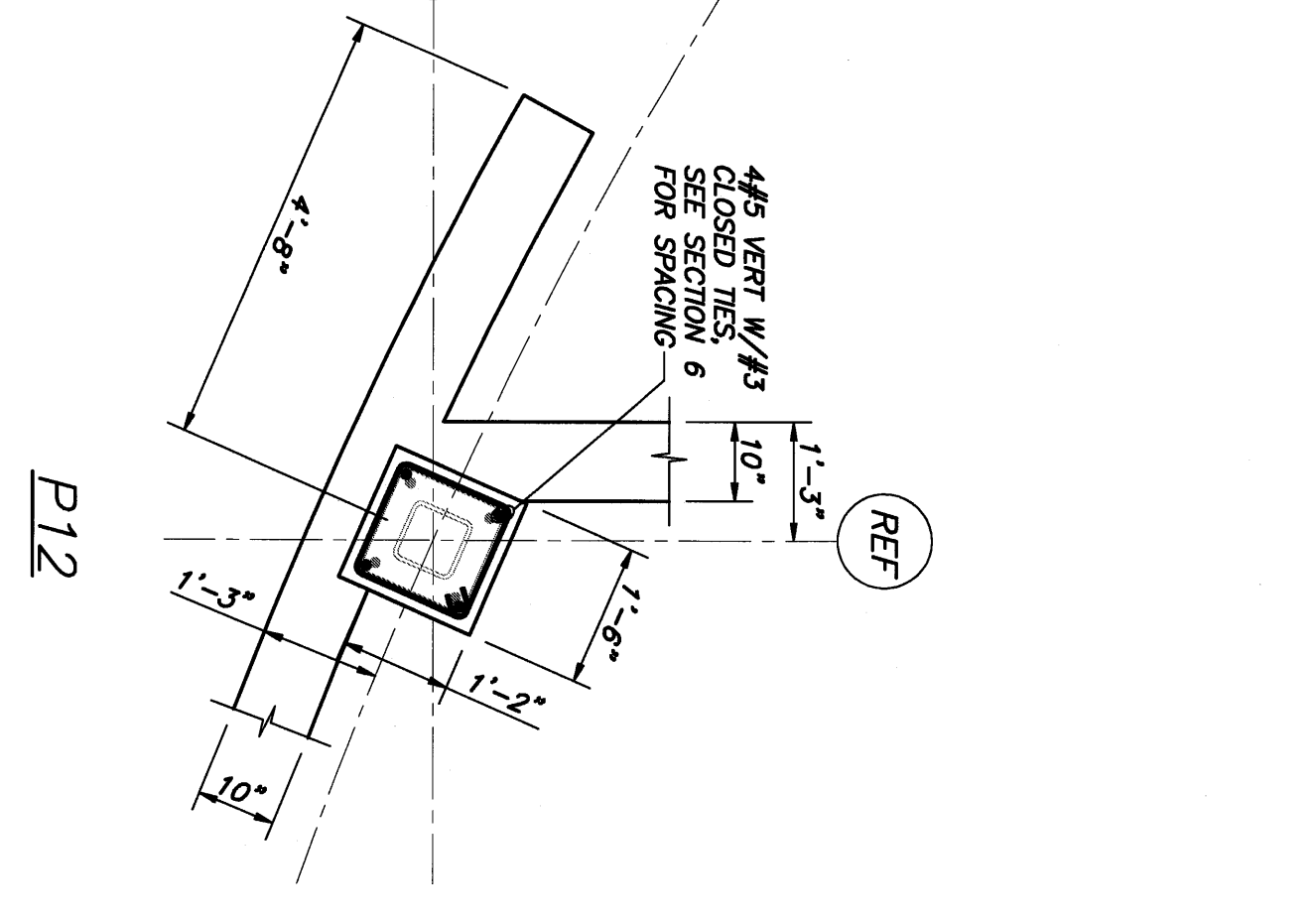
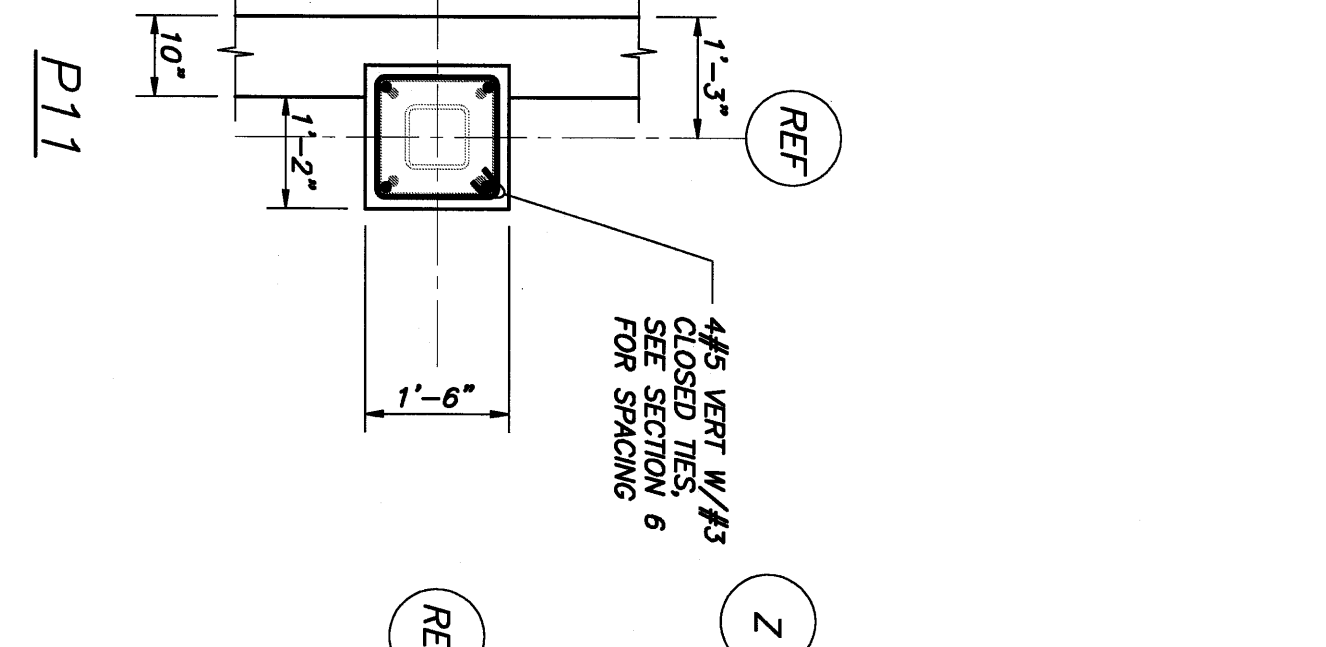
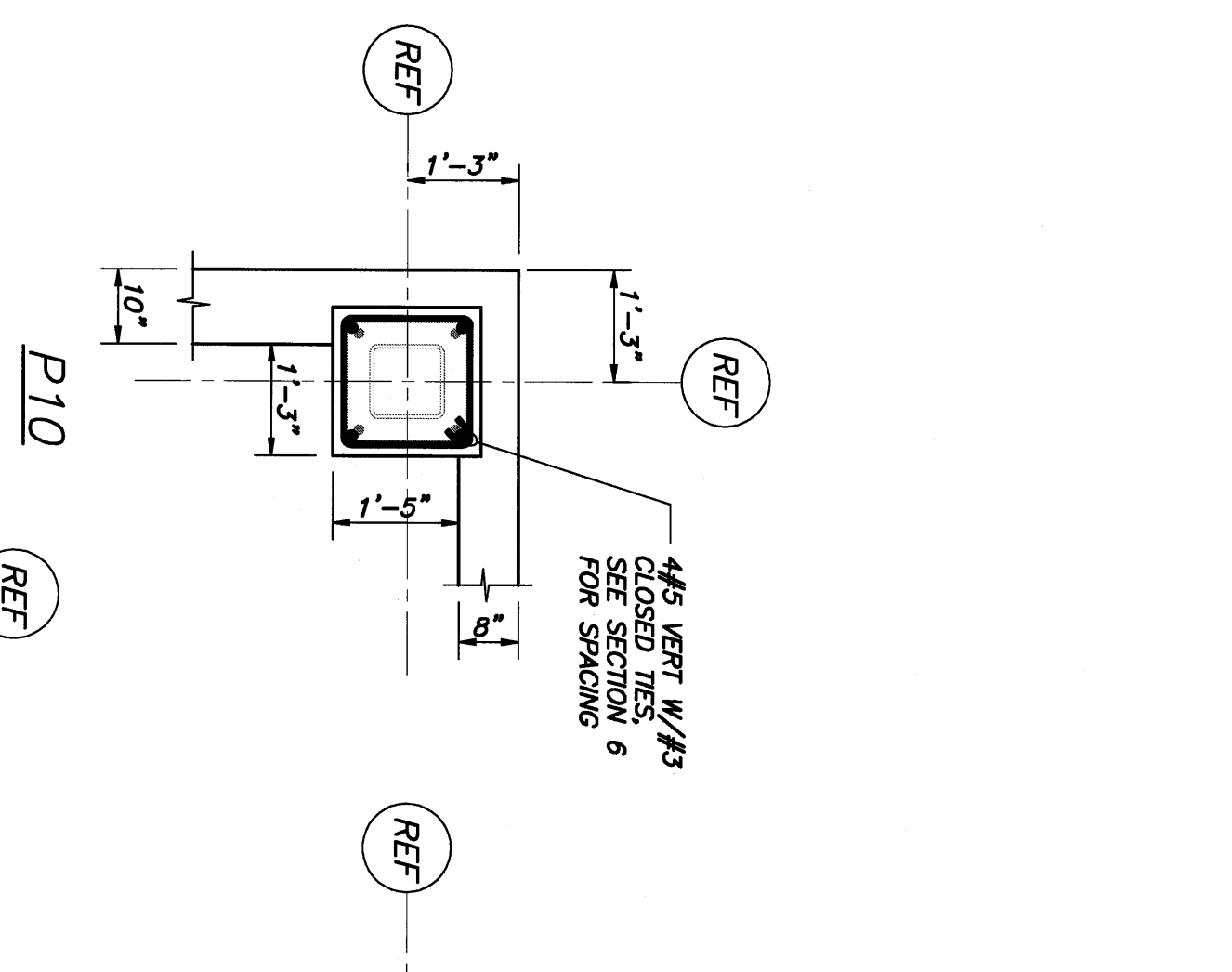
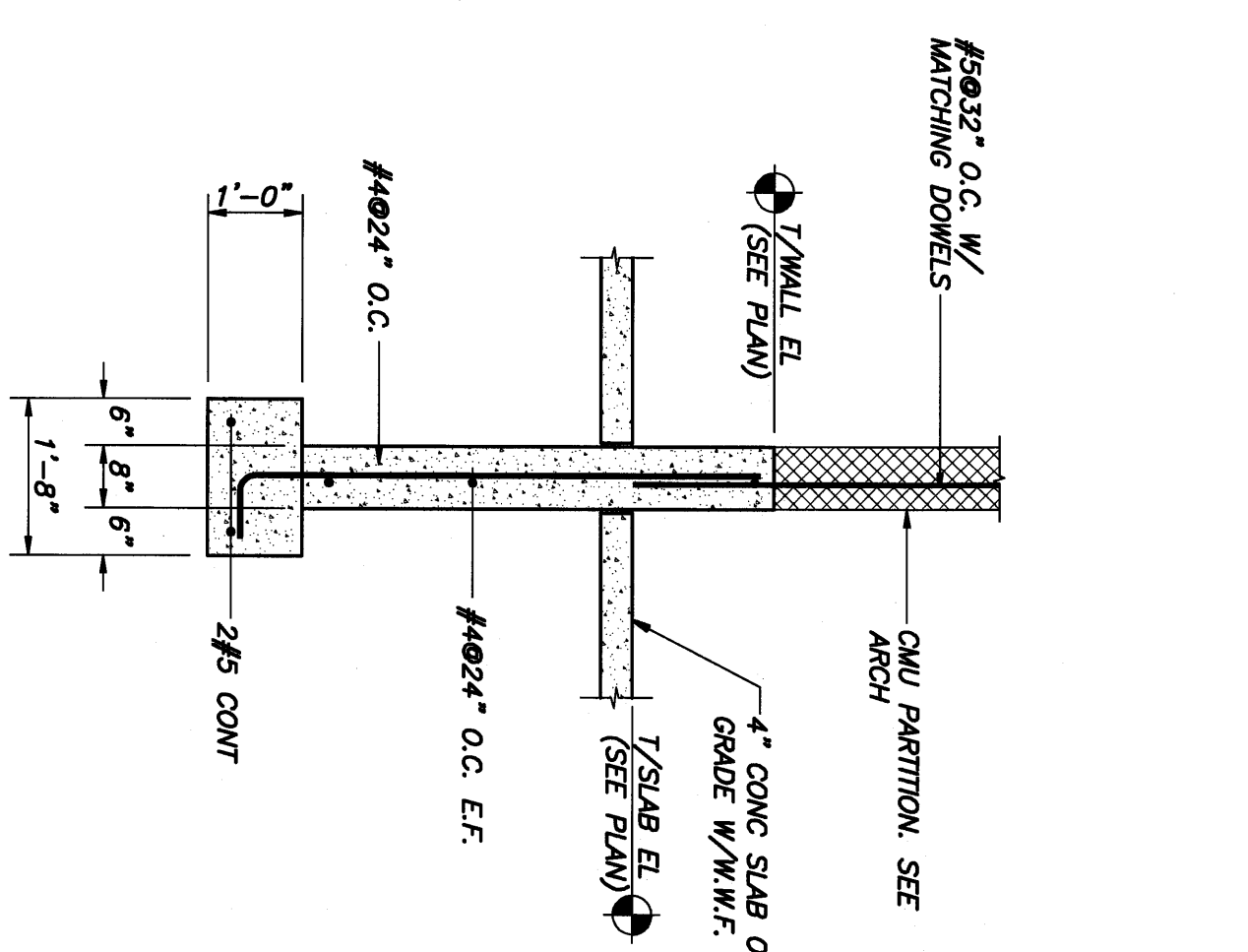
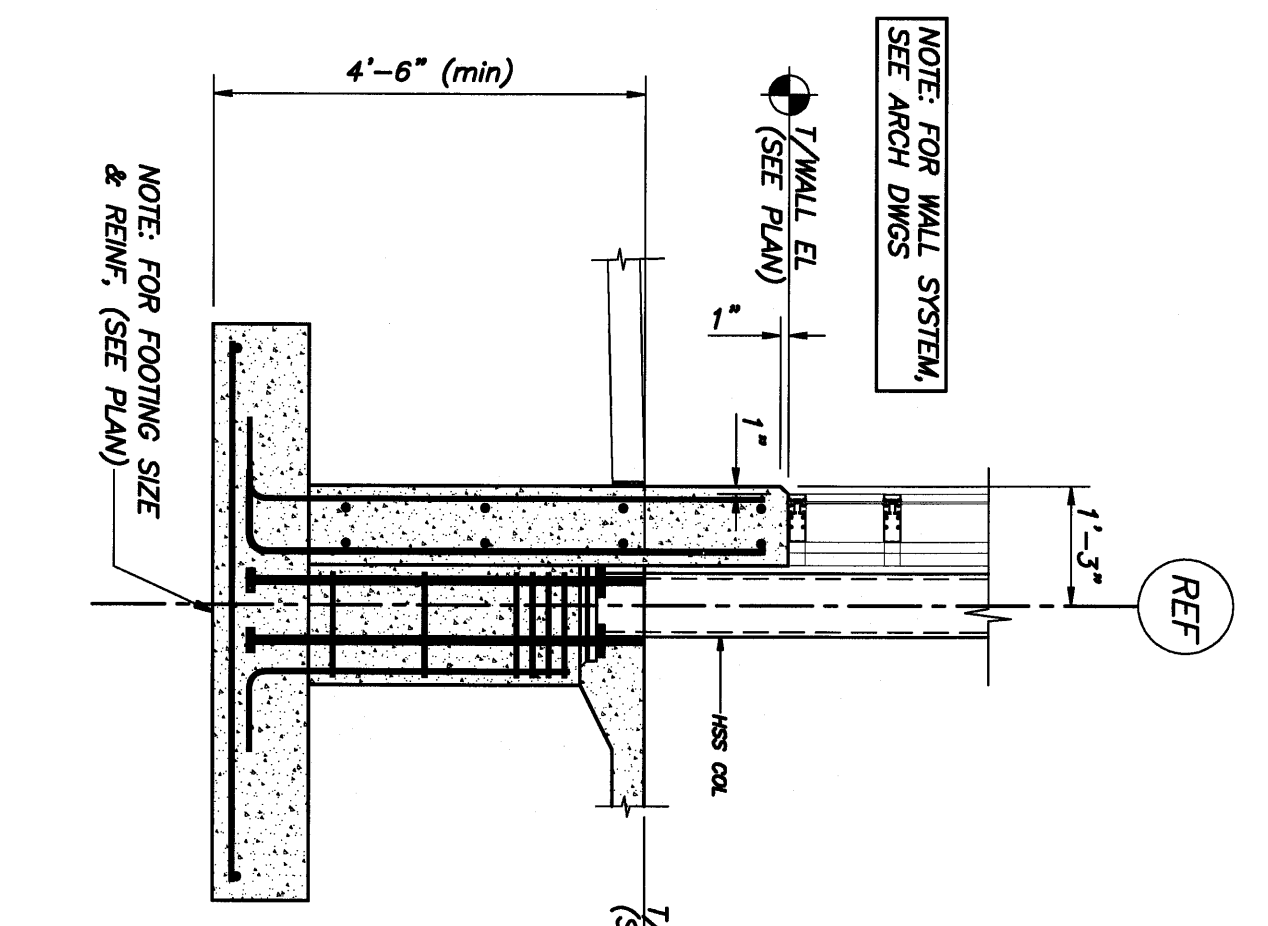
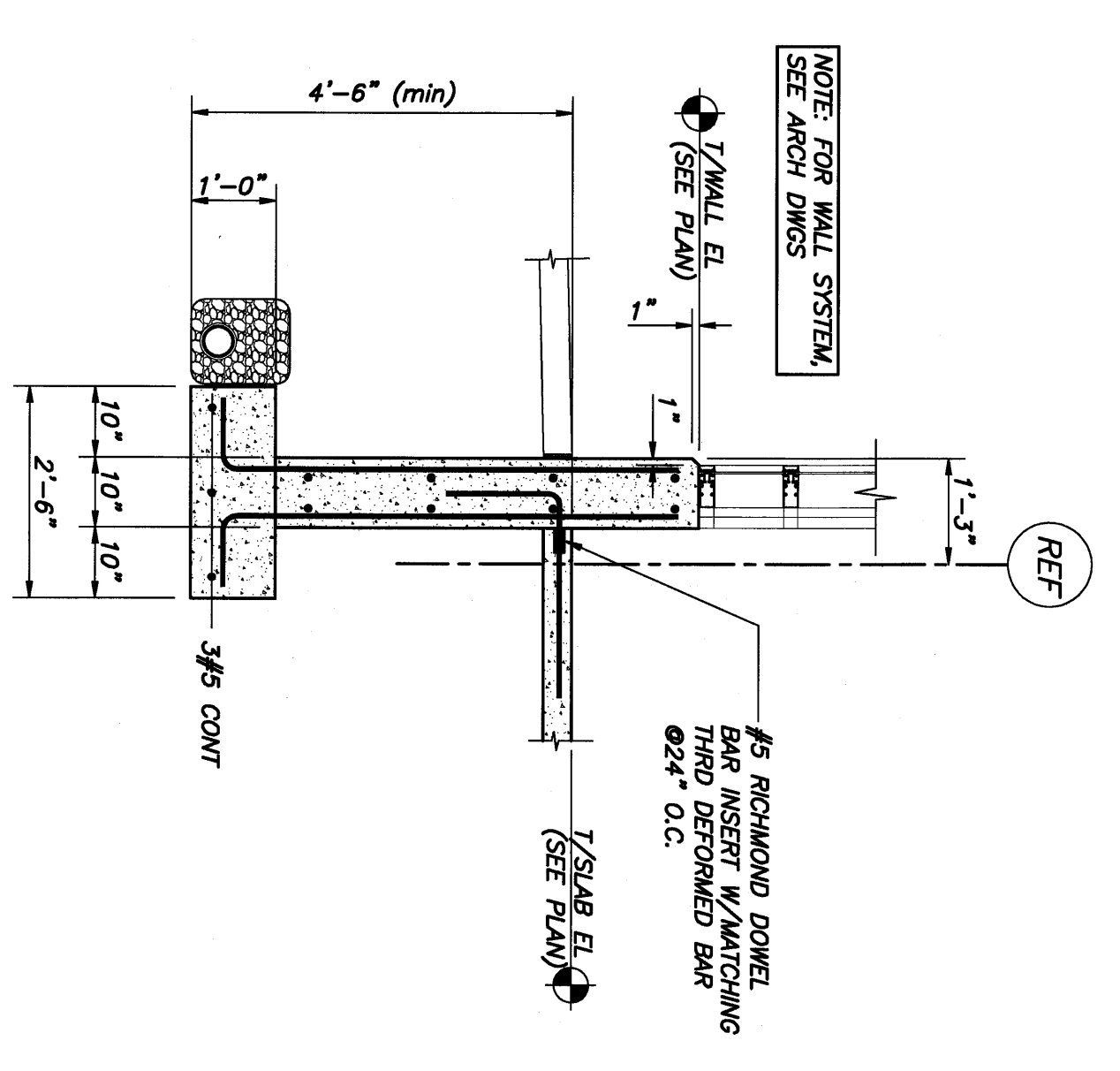


Scale bars for various dimensions: 1/16"=1', 1/8"=1', 1/4"=1', 1/2"=1', 3/4"=1', 1"=1', 2"=1', 3"=1', 4"=1', 5"=1', 6"=1', 8"=1', 10"=1', 15"=1', 20"=1', 30"=1', 40"=1', 50"=1', 60"=1', 80"=1', 100"=1', 120"=1', 150"=1', 200"=1', 300"=1', 400"=1', 500"=1', 600"=1', 800"=1', 1000"=1'



NOTES
 1. O.C. TO COORD SIMP. PIT SIZE & LOCATION
 2. APPROVED ELEVATOR SHIP DIMS. W/ APPROVED ELEVATOR SHIP DIMS.

Beckler
 STRUCTURAL ENGINEERS, INC.
 155 Massachusetts Ave.
 Boston, MA 02115
 Fax: 617-267-1990

DOMENECH HICKS & KROCKMALNIC
 ARCHITECTS
 155 Massachusetts Ave.
 Boston, MA 02115
 Fax: 617-267-1990

Confirmed-Set for Field Use

CITY OF PORTLAND
 PORTLAND, MAINE
 DEPARTMENT OF WATERFRONT AND TRANSPORTATION

PORTLAND INTERNATIONAL JETPORT
 PHASE II
 PARKING GARAGE
 1001 WESTBROOK ST.,
 PORTLAND, MAINE

No.	Date	Revision

FOUNDATION SECTIONS & DETAILS

Scale: NOTED

Drawn By: [Signature]

Checked By: [Signature]

Date: 1/18/98

TAB: 229/2000

S2-5

If this sheet is less than 30x48 in size, it has been reduced. Graphic scales must be adjusted accordingly.