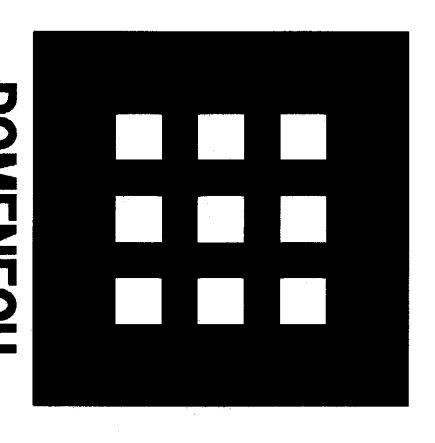


If this sheet is less than 30x42 in size, it has been produced in graphic scales must be adjusted accordingly.



**DOMENECH
HICKS &
KROCKMALNIC
ARCHITECTS**
155 Massachusetts Ave.
Boston, MA 02115
617-267-6408
Fax: 617-267-1990

BECKER
STRUCTURAL ENGINEERS, INC.
2000 PARK DRIVE
PORTLAND, ME 04106
TEL: 207-899-4300
FAX: 207-899-4300

**Confirmed-Set
for Field Use**

CITY OF PORTLAND
PORTLAND, MAINE
DEPARTMENT OF
WATERFRONT AND
TRANSPORTATION



PHASE II
PARKING GARAGE
1001 WESTROOK ST.,
PORTLAND, MAINE

**FOUNDATION SECTIONS
& DETAILS**

No.	Date	Revisions

NOTED

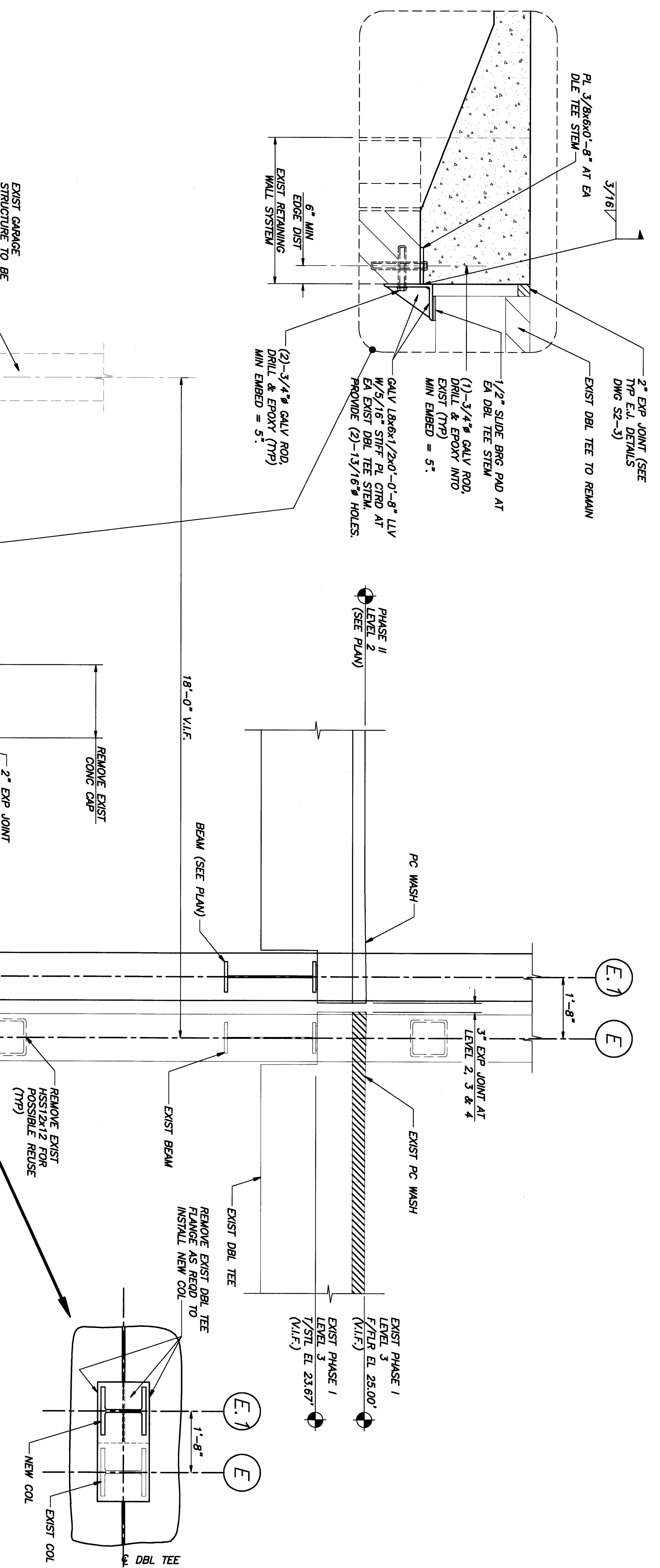
Scale: 1/2"=1'-0"

Drawn by: [Signature]

Checked by: [Signature]

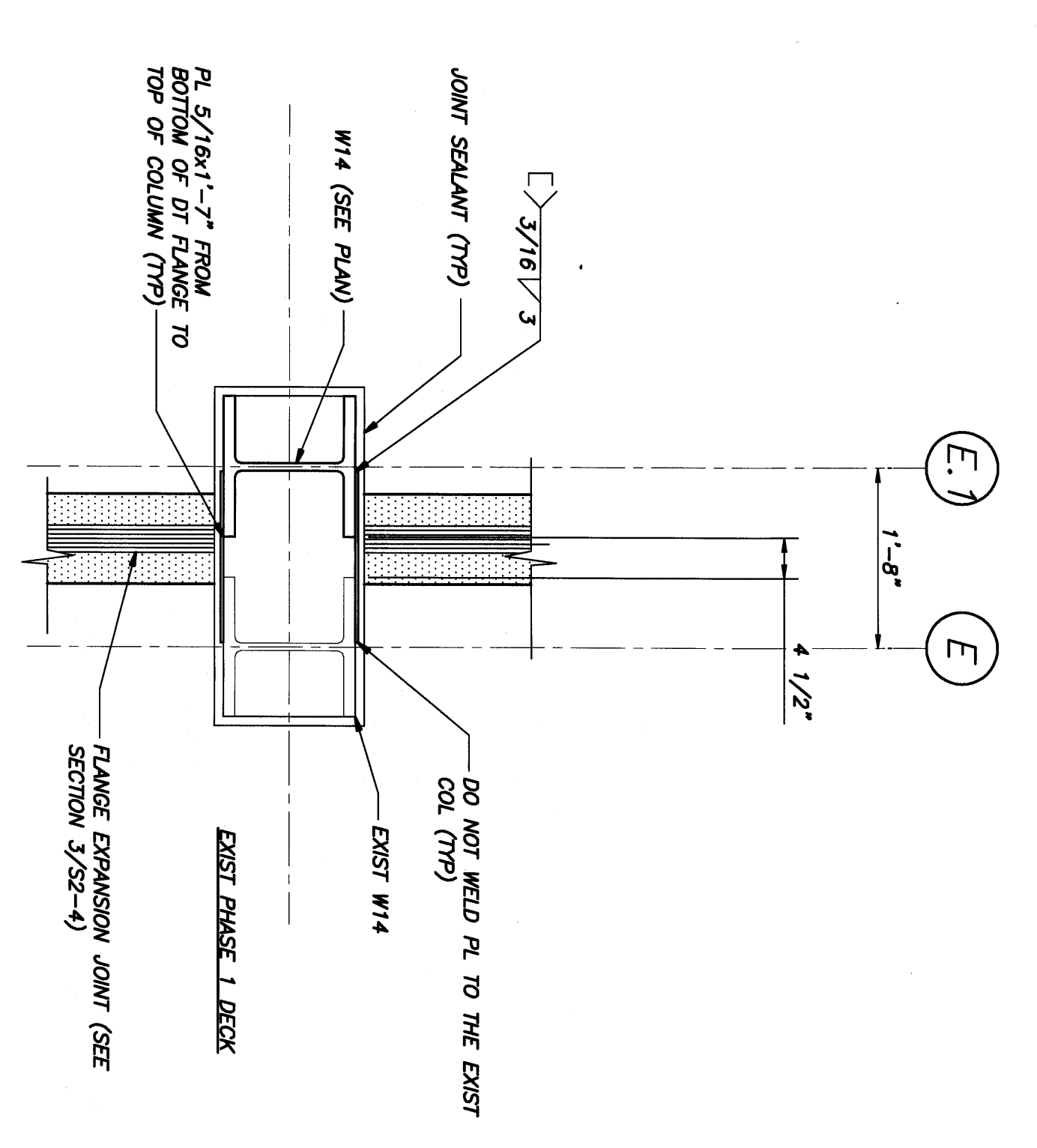
Date: 2/26/2008

S24

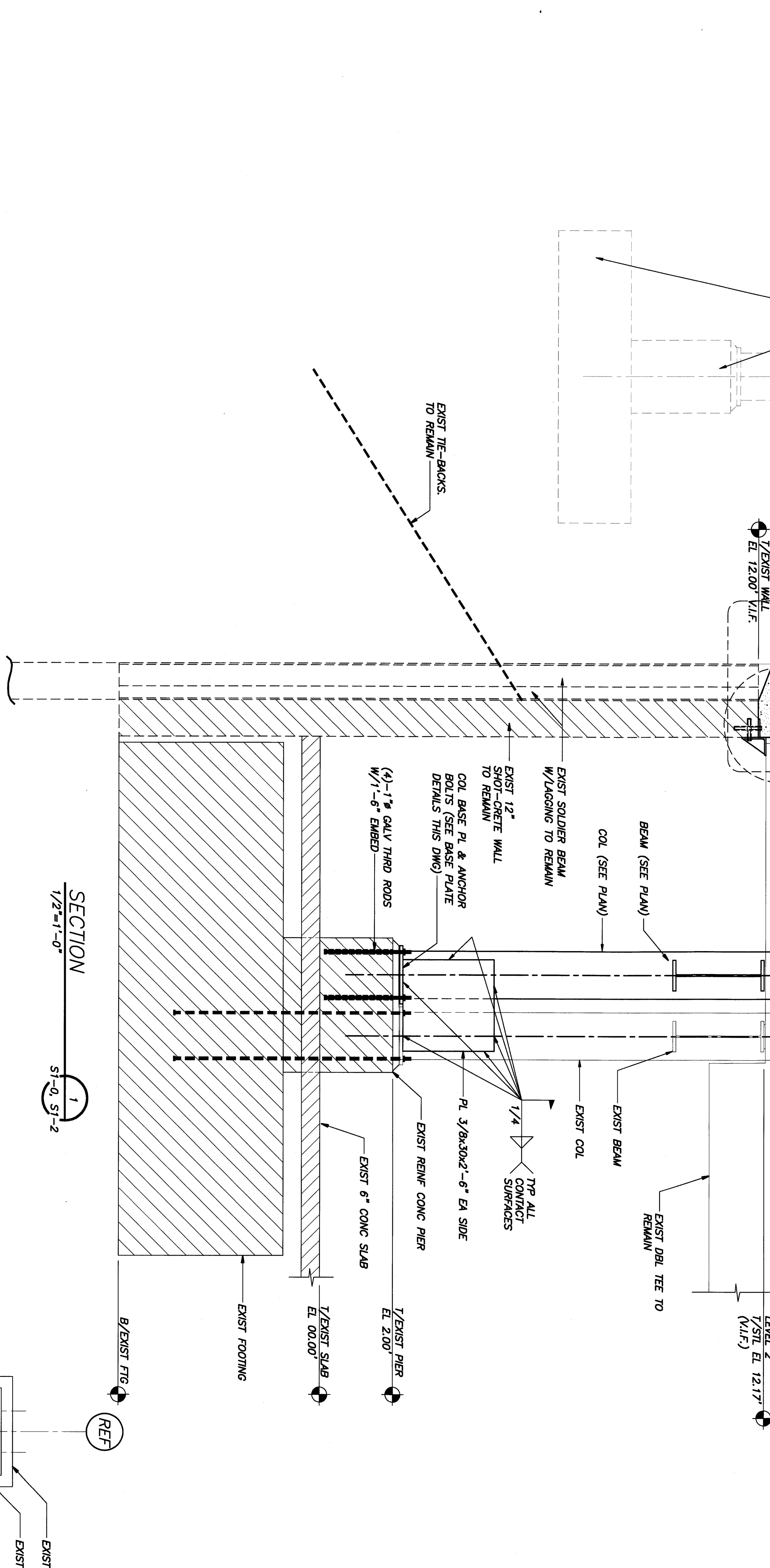


SECTION 2
3/4"=1'-0"
ST-2

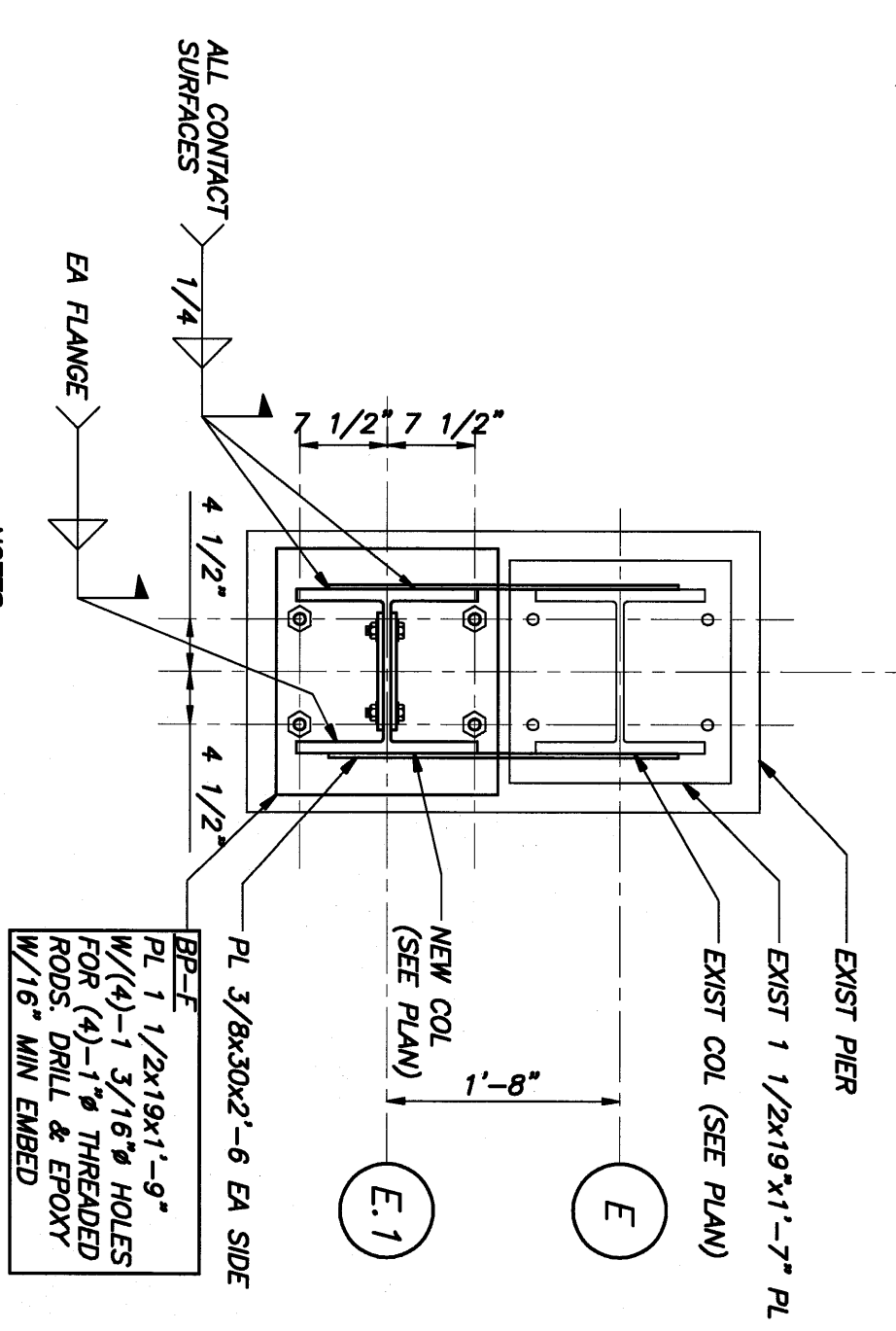
SECTION 3
3/4"=1'-0"
ST-3



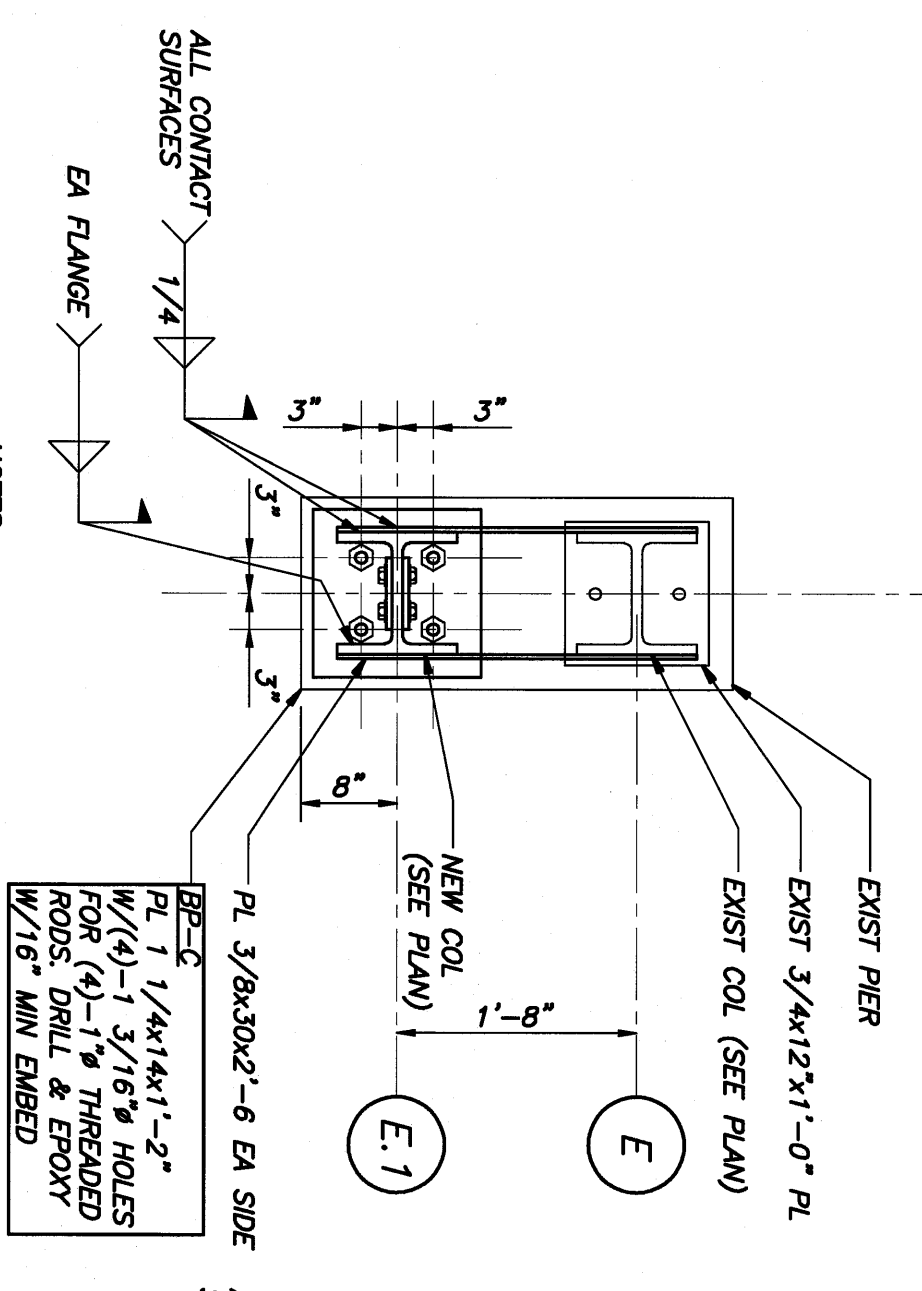
SECTION 13
3/4"=1'-0"
ST-3



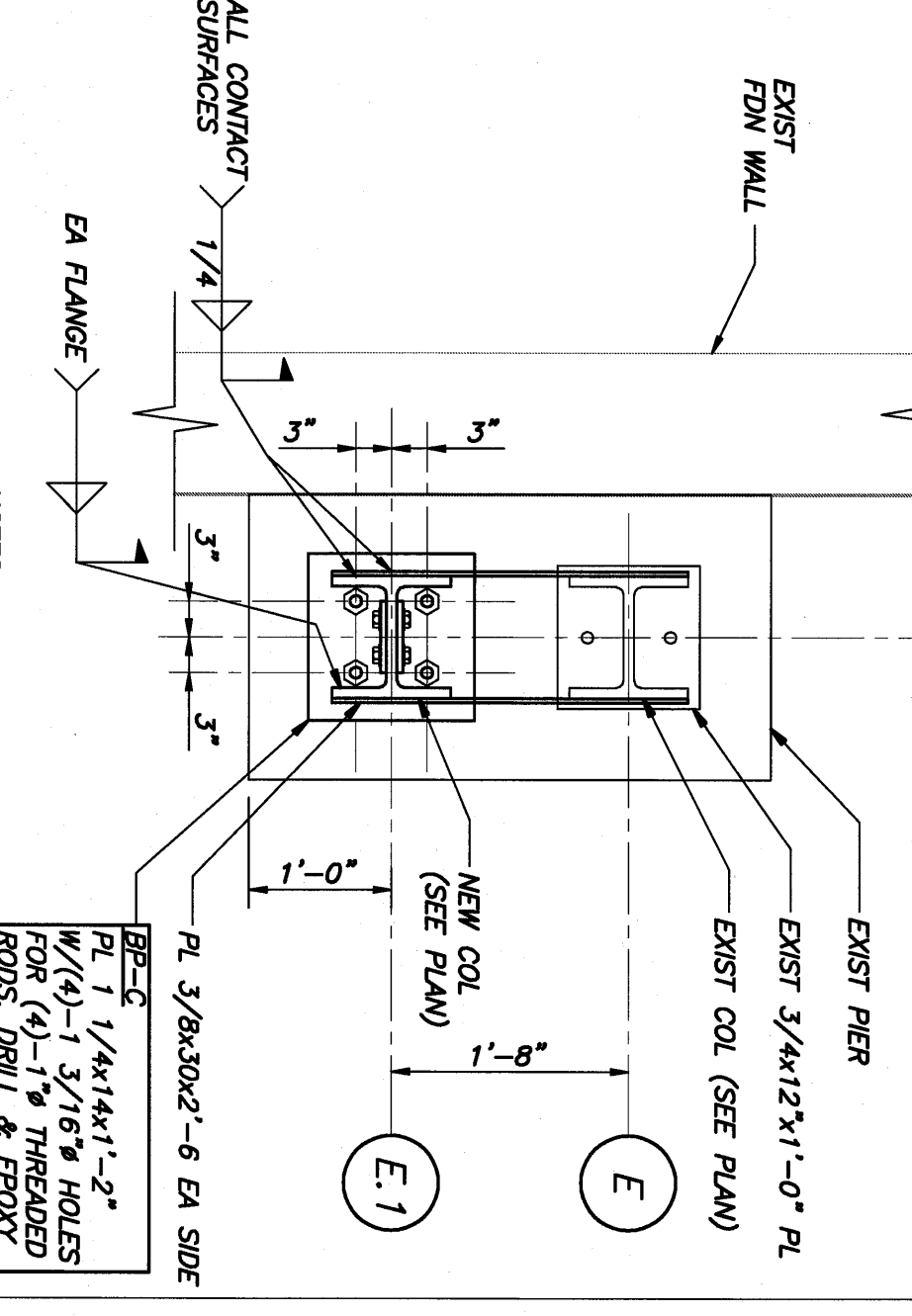
SECTION 1
1/2"=1'-0"
ST-2, ST-2



BP-F



BP-C



BP-C

NOTES:
1. INSTALL BP-F W/4 COLUMN.
2. WELD COLUMN TO BASE PL.
3. INSTALL 3/8" PL ON EA SIDE.
4. INSTALL 3/8" PL ON EA SIDE.

NOTES:
1. INSTALL BP-C W/4 COLUMN.
2. WELD COLUMN TO BASE PL.
3. INSTALL 3/8" PL ON EA SIDE.
4. INSTALL 3/8" PL ON EA SIDE.

NOTES:
1. INSTALL BP-C W/4 COLUMN.
2. WELD COLUMN TO BASE PL.
3. INSTALL 3/8" PL ON EA SIDE.
4. INSTALL 3/8" PL ON EA SIDE.