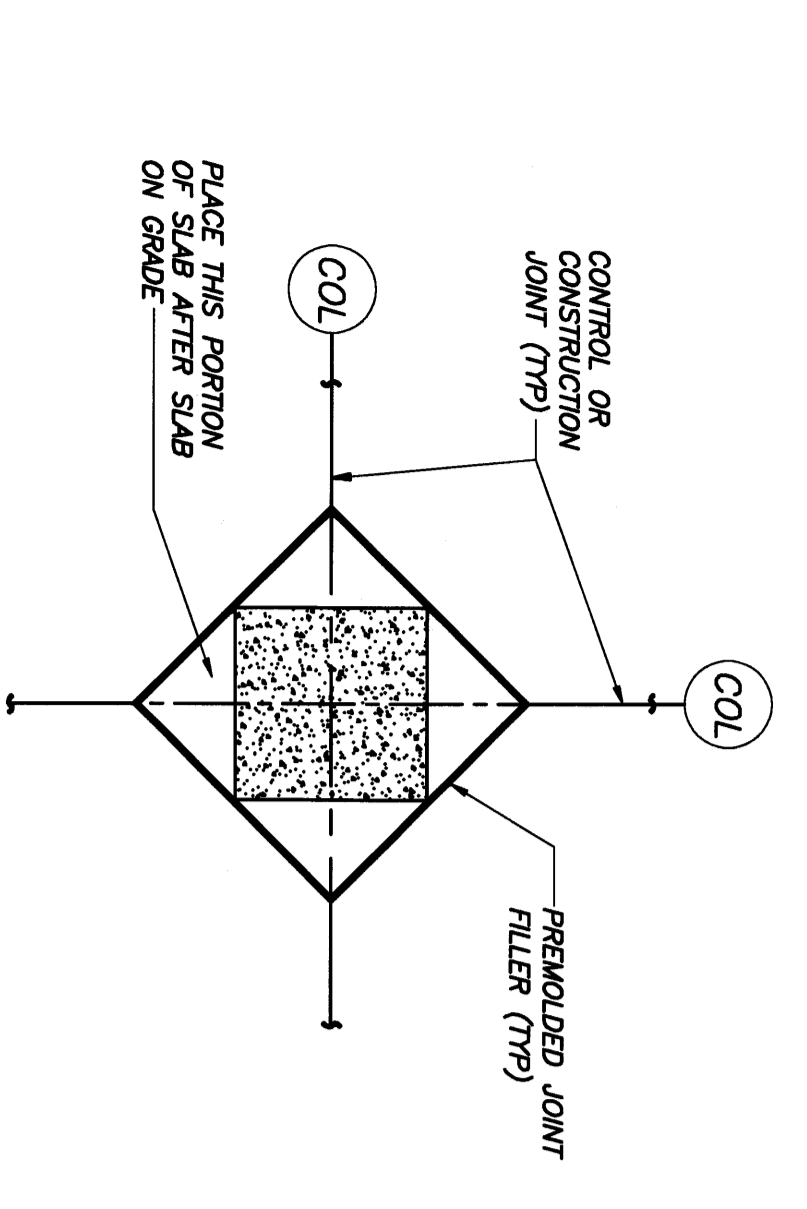
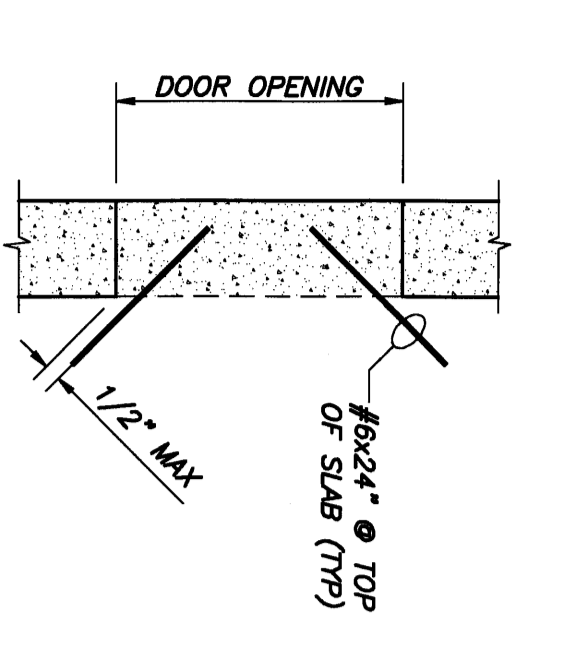


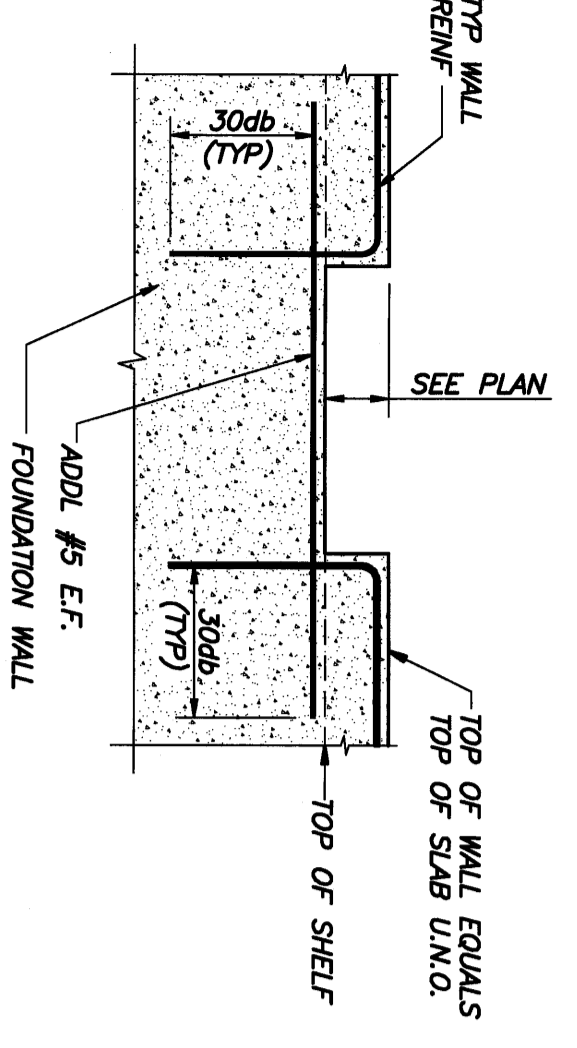
TYP WALL REINF DETAILS
N.T.S.



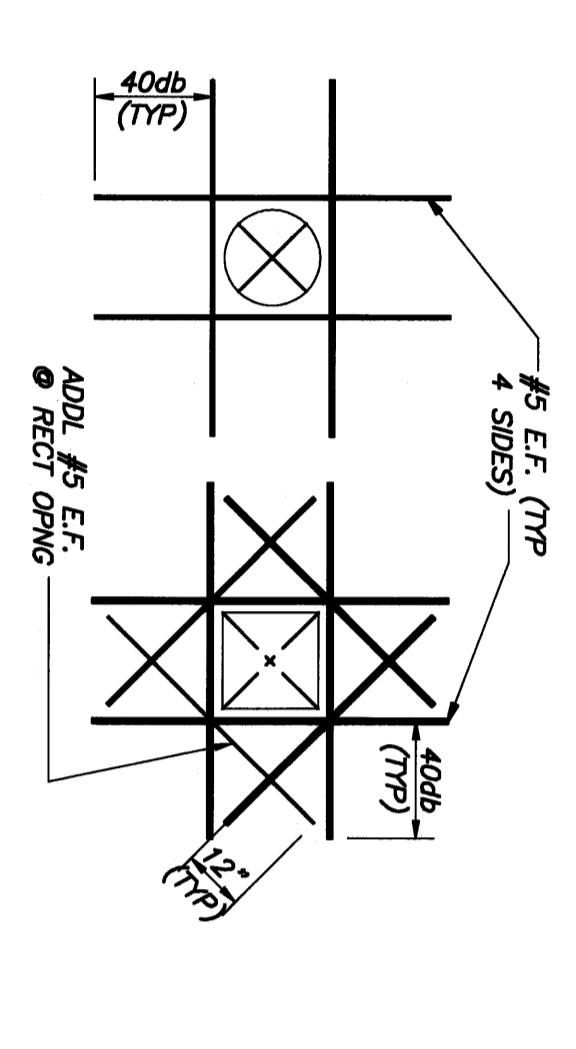
TYP COLUMN ISOLATION JOINT DETAIL
N.T.S.



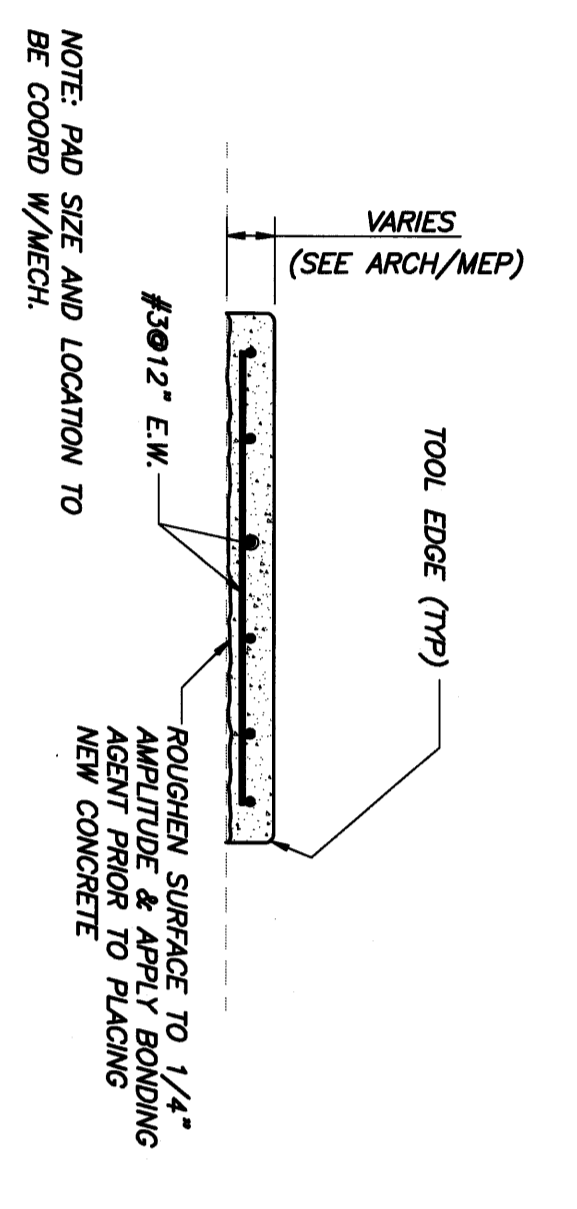
TYP SLAB CORNER DETAIL @ DOOR
N.T.S.
NOTE: PROVIDE 2#8x2' (TOP) IN SLAB @ CORNER (SEE F34N)



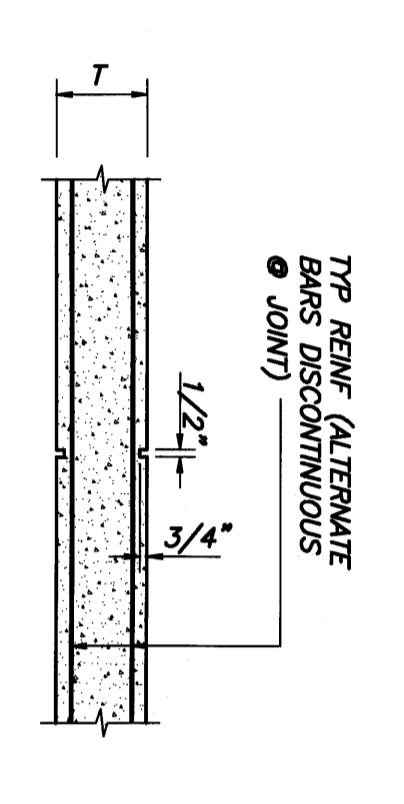
TYP WALL DEPRESSION DETAIL @ DOOR
N.T.S.



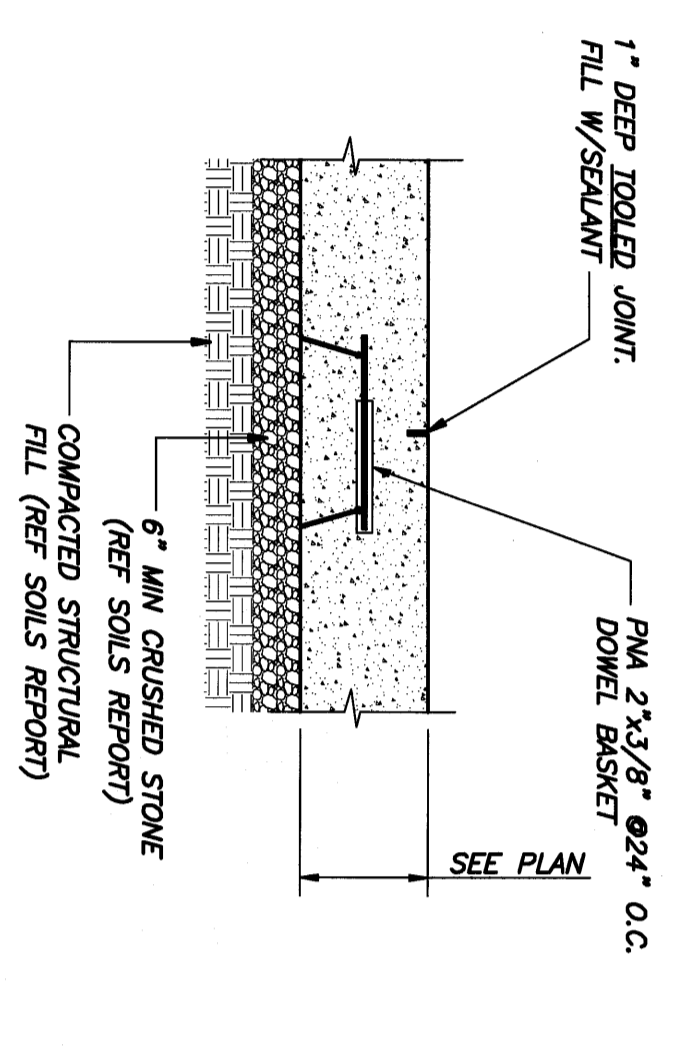
TYP OPENING IN WALL OR SLAB DETAIL
N.T.S.



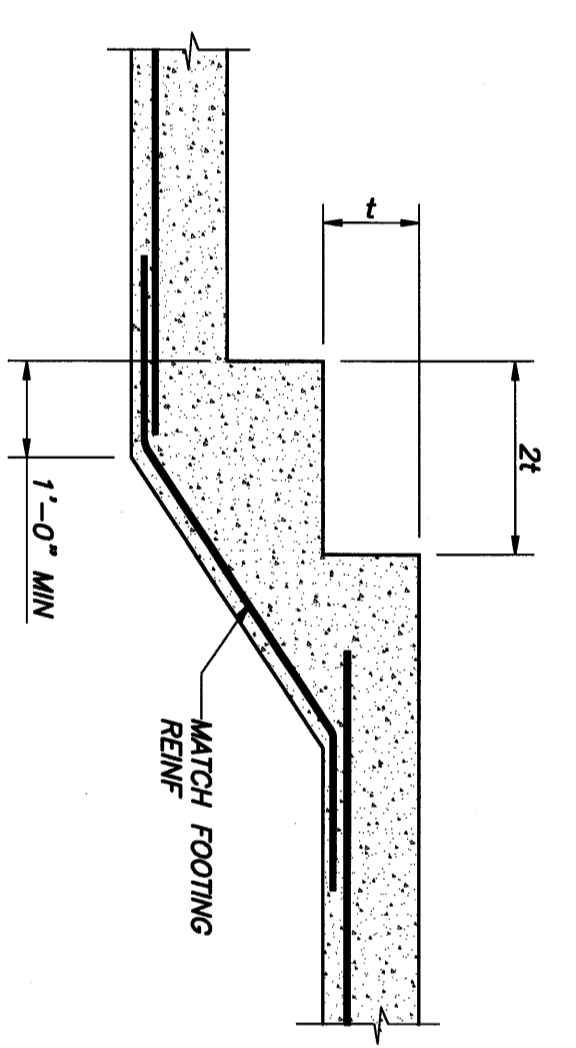
TYP EQUIPMENT PAD DETAIL
N.T.S.



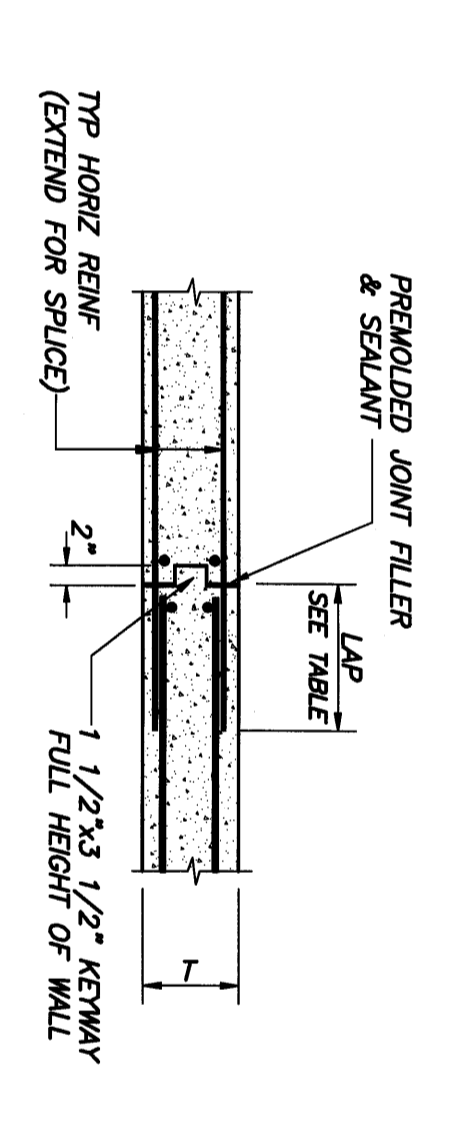
TYP CONTROL JOINT IN WALL
N.T.S.



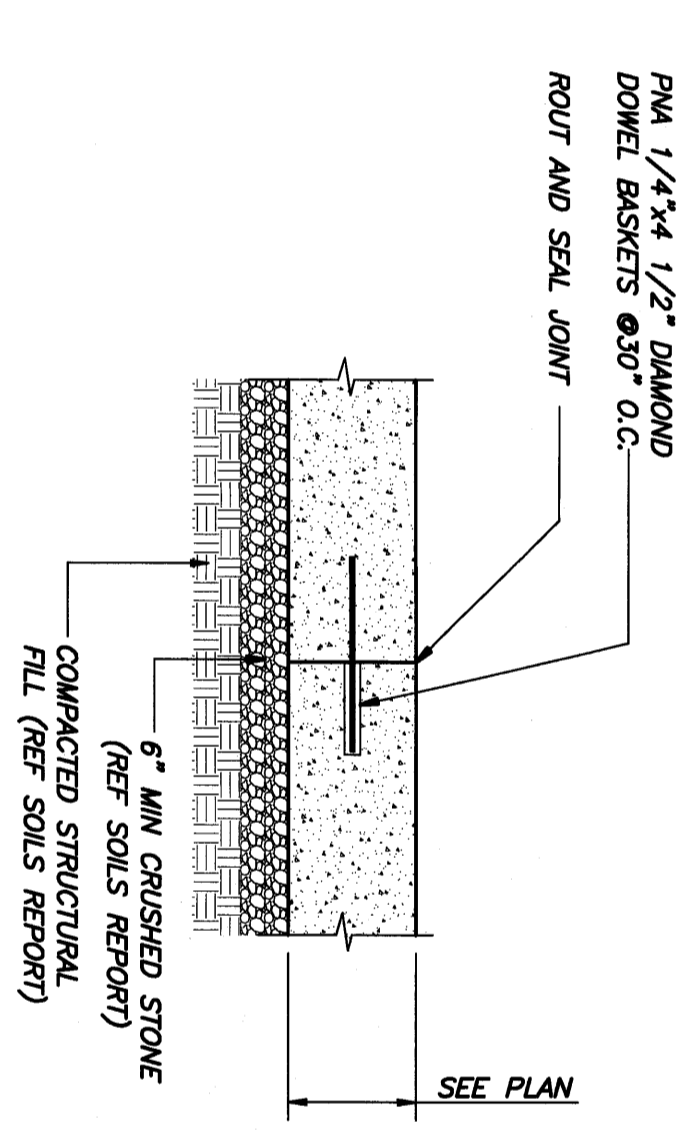
TYP SLAB ON GRADE CONSTRUCTION JOINT DETAIL
N.T.S.



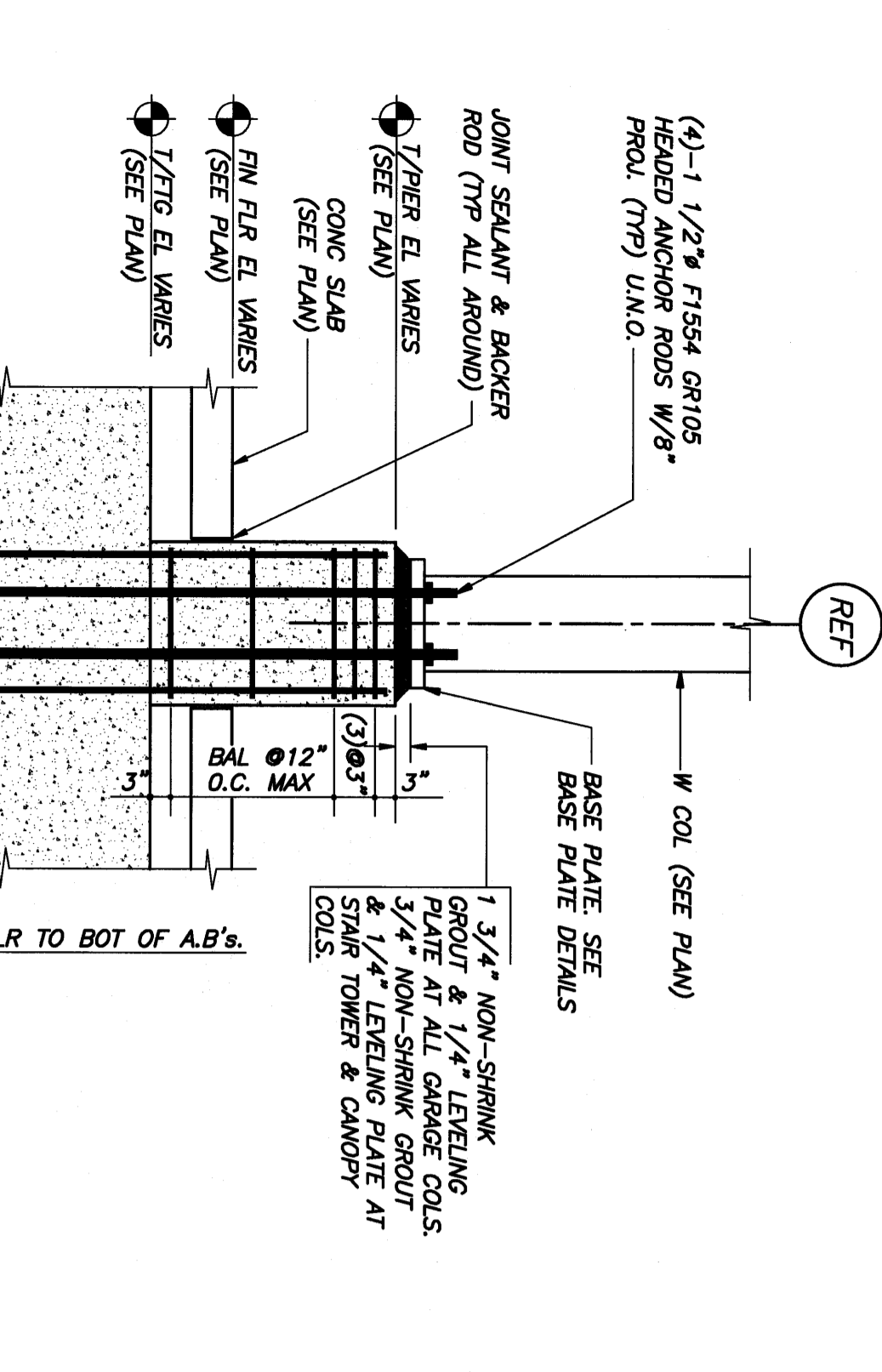
TYP STEP FOOTING DETAIL
N.T.S.



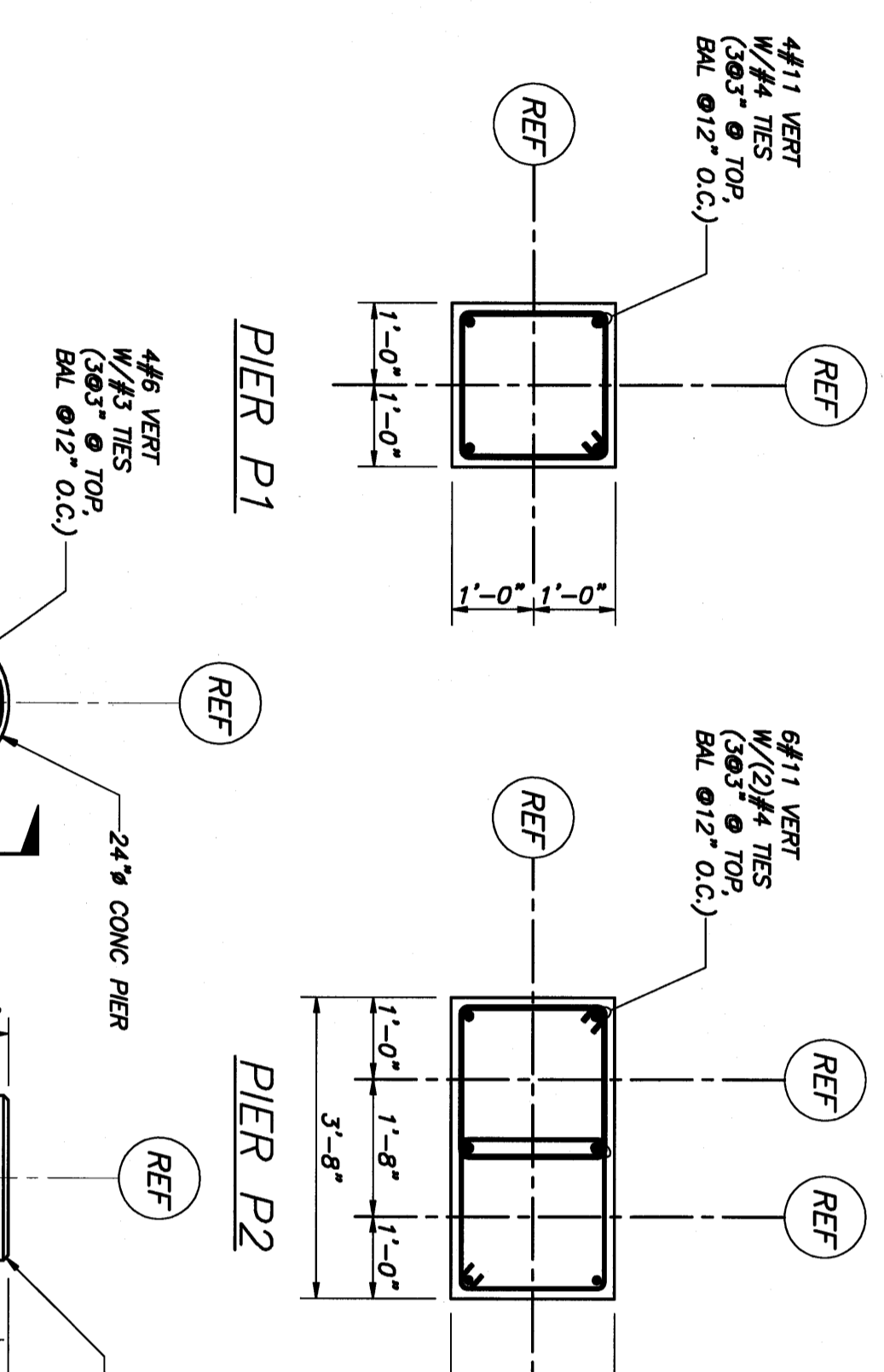
TYP CONSTRUCTION JOINT IN WALL
N.T.S.



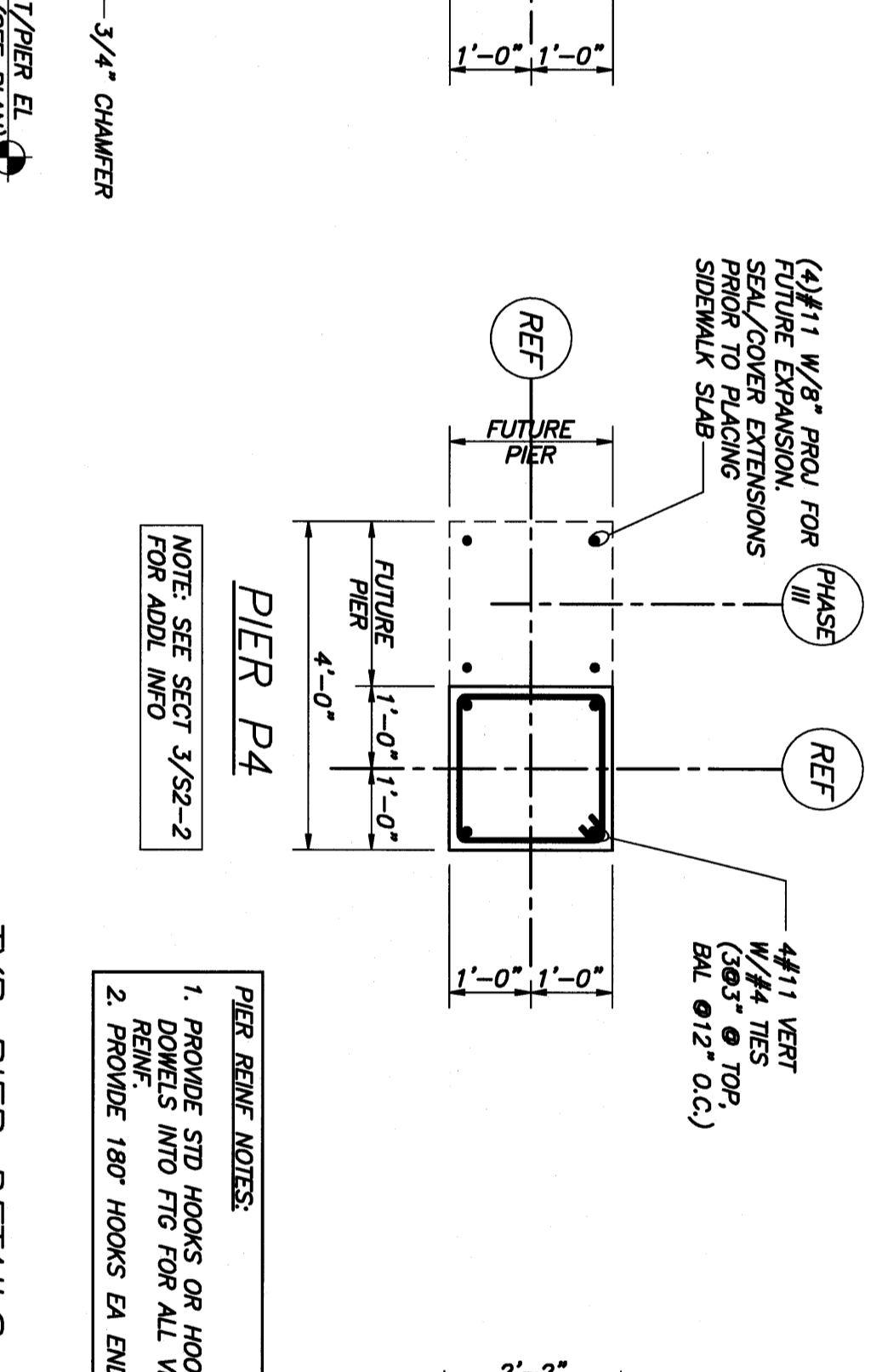
TYP SLAB ON GRADE CONSTRUCTION JOINT DETAIL
N.T.S.



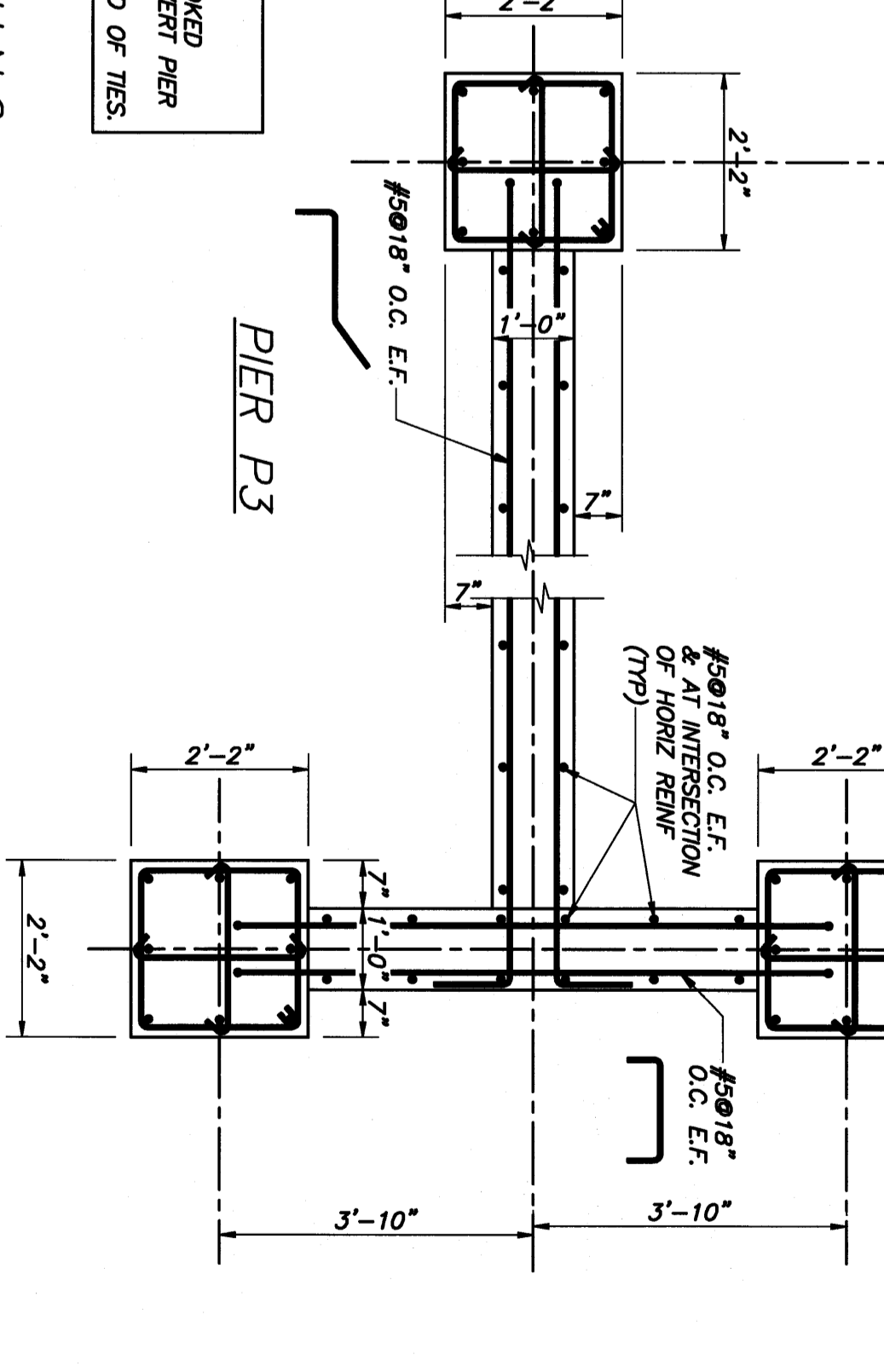
TYP REINF CONC PIER DETAIL
N.T.S.



PIER P1
PIER P2
PIER P3
PIER P4
PIER P5



PIER P3



PIER P3

REBAR LAP SPICE TABLE

BAR SIZE	LAP LENGTH	
	3,000 PSI	4,000 PSI
#3	30"	24"
#4	36"	32"
#5	48"	42"
#6	36"	48"
#7	81"	72"
#8	93"	80"

ABBREVIATIONS

A.B.	ANCHOR BOLT	K	WPS
A.C.T.	ACOUSTICAL CEILING TILE	L	LONG LOAD
A.G.	ALTERNATE	LLH	LONG LEG HORIZ
A.G.F.	ALTERNATE FLOOR	LLV	LONG LEG VERT
A.I.	ALTERNATE ARCHITECTURAL	LTV	LONG LEG TILT
A.P.	ANCHOR PLATE	LW	LONG WIDE
A.R.	ARCHITECTURAL	LWV	LONG WIDE VERT
B.A.	BOTTOM CHORD EXTENSION	M	MAXIMUM
B.B.	BOTTOM BOARD	M.A.	MAXIMUM DESIGN OVERLAY
B.C.	BOTTOM CHORD	M.C.	MAXIMUM MANUFACTURER
B.D.	BOTTOM BOARD	M.F.	MAXIMUM MANUFACTURER
B.E.	BOTTOM BOARD	M.H.	MAXIMUM MANUFACTURER
B.F.	BOTTOM BOARD	M.I.	MAXIMUM MANUFACTURER
B.G.	BOTTOM BOARD	M.J.	MAXIMUM MANUFACTURER
B.H.	BOTTOM BOARD	M.K.	MAXIMUM MANUFACTURER
B.I.	BOTTOM BOARD	M.L.	MAXIMUM MANUFACTURER
B.J.	BOTTOM BOARD	M.M.	MAXIMUM MANUFACTURER
B.K.	BOTTOM BOARD	M.N.	MAXIMUM MANUFACTURER
B.L.	BOTTOM BOARD	M.O.	MAXIMUM MANUFACTURER
B.M.	BOTTOM BOARD	M.P.	MAXIMUM MANUFACTURER
B.N.	BOTTOM BOARD	M.Q.	MAXIMUM MANUFACTURER
B.O.	BOTTOM BOARD	M.R.	MAXIMUM MANUFACTURER
B.P.	BOTTOM BOARD	M.S.	MAXIMUM MANUFACTURER
B.Q.	BOTTOM BOARD	M.T.	MAXIMUM MANUFACTURER
B.R.	BOTTOM BOARD	M.U.	MAXIMUM MANUFACTURER
B.S.	BOTTOM BOARD	M.V.	MAXIMUM MANUFACTURER
B.T.	BOTTOM BOARD	M.W.	MAXIMUM MANUFACTURER
B.U.	BOTTOM BOARD	M.X.	MAXIMUM MANUFACTURER
B.V.	BOTTOM BOARD	M.Y.	MAXIMUM MANUFACTURER
B.W.	BOTTOM BOARD	M.Z.	MAXIMUM MANUFACTURER
B.X.	BOTTOM BOARD	N.A.	NOT TO SCALE
B.Y.	BOTTOM BOARD	N.B.	ON CENTER DIAMETER
B.Z.	BOTTOM BOARD	N.C.	OUTSIDE DIAMETER
C.	CHANNEL	N.D.	OUTSIDE DIAMETER
C.A.	CASEN PLATE	N.E.	OUTSIDE DIAMETER
C.B.	CASEN PLATE	N.F.	OUTSIDE DIAMETER
C.C.	CASEN PLATE	N.G.	OUTSIDE DIAMETER
C.D.	CASEN PLATE	N.H.	OUTSIDE DIAMETER
C.E.	CASEN PLATE	N.I.	OUTSIDE DIAMETER
C.F.	CASEN PLATE	N.J.	OUTSIDE DIAMETER
C.G.	CASEN PLATE	N.K.	OUTSIDE DIAMETER
C.H.	CASEN PLATE	N.L.	OUTSIDE DIAMETER
C.I.	CASEN PLATE	N.M.	OUTSIDE DIAMETER
C.J.	CASEN PLATE	N.N.	OUTSIDE DIAMETER
C.K.	CASEN PLATE	N.O.	OUTSIDE DIAMETER
C.L.	CASEN PLATE	N.P.	OUTSIDE DIAMETER
C.M.	CASEN PLATE	N.Q.	OUTSIDE DIAMETER
C.N.	CASEN PLATE	N.R.	OUTSIDE DIAMETER
C.O.	CASEN PLATE	N.S.	OUTSIDE DIAMETER
C.P.	CASEN PLATE	N.T.	OUTSIDE DIAMETER
C.Q.	CASEN PLATE	N.U.	OUTSIDE DIAMETER
C.R.	CASEN PLATE	N.V.	OUTSIDE DIAMETER
C.S.	CASEN PLATE	N.W.	OUTSIDE DIAMETER
C.T.	CASEN PLATE	N.X.	OUTSIDE DIAMETER
C.U.	CASEN PLATE	N.Y.	OUTSIDE DIAMETER
C.V.	CASEN PLATE	N.Z.	OUTSIDE DIAMETER
C.W.	CASEN PLATE	N.A.	OUTSIDE DIAMETER
C.X.	CASEN PLATE	N.B.	OUTSIDE DIAMETER
C.Y.	CASEN PLATE	N.C.	OUTSIDE DIAMETER
C.Z.	CASEN PLATE	N.D.	OUTSIDE DIAMETER
D.	DOUBLE	N.E.	OUTSIDE DIAMETER
D.A.	DOUBLE	N.F.	OUTSIDE DIAMETER
D.B.	DOUBLE	N.G.	OUTSIDE DIAMETER
D.C.	DOUBLE	N.H.	OUTSIDE DIAMETER
D.D.	DOUBLE	N.I.	OUTSIDE DIAMETER
D.E.	DOUBLE	N.J.	OUTSIDE DIAMETER
D.F.	DOUBLE	N.K.	OUTSIDE DIAMETER
D.G.	DOUBLE	N.L.	OUTSIDE DIAMETER
D.H.	DOUBLE	N.M.	OUTSIDE DIAMETER
D.I.	DOUBLE	N.N.	OUTSIDE DIAMETER
D.J.	DOUBLE	N.O.	OUTSIDE DIAMETER
D.K.	DOUBLE	N.P.	OUTSIDE DIAMETER
D.L.	DOUBLE	N.Q.	OUTSIDE DIAMETER
D.M.	DOUBLE	N.R.	OUTSIDE DIAMETER
D.N.	DOUBLE	N.S.	OUTSIDE DIAMETER
D.O.	DOUBLE	N.T.	OUTSIDE DIAMETER
D.P.	DOUBLE	N.U.	OUTSIDE DIAMETER
D.Q.	DOUBLE	N.V.	OUTSIDE DIAMETER
D.R.	DOUBLE	N.W.	OUTSIDE DIAMETER
D.S.	DOUBLE	N.X.	OUTSIDE DIAMETER
D.T.	DOUBLE	N.Y.	OUTSIDE DIAMETER
D.U.	DOUBLE	N.Z.	OUTSIDE DIAMETER
D.V.	DOUBLE	N.A.	OUTSIDE DIAMETER
D.W.	DOUBLE	N.B.	OUTSIDE DIAMETER
D.X.	DOUBLE	N.C.	OUTSIDE DIAMETER
D.Y.	DOUBLE	N.D.	OUTSIDE DIAMETER
D.Z.	DOUBLE	N.E.	OUTSIDE DIAMETER
E.	EACH	N.F.	OUTSIDE DIAMETER
E.A.	EACH	N.G.	OUTSIDE DIAMETER
E.B.	EACH	N.H.	OUTSIDE DIAMETER
E.C.	EACH	N.I.	OUTSIDE DIAMETER
E.D.	EACH	N.J.	OUTSIDE DIAMETER
E.E.	EACH	N.K.	OUTSIDE DIAMETER
E.F.	EACH	N.L.	OUTSIDE DIAMETER
E.G.	EACH	N.M.	OUTSIDE DIAMETER
E.H.	EACH	N.N.	OUTSIDE DIAMETER
E.I.	EACH	N.O.	OUTSIDE DIAMETER
E.J.	EACH	N.P.	OUTSIDE DIAMETER
E.K.	EACH	N.Q.	OUTSIDE DIAMETER
E.L.	EACH	N.R.	OUTSIDE DIAMETER
E.M.	EACH	N.S.	OUTSIDE DIAMETER
E.N.	EACH	N.T.	OUTSIDE DIAMETER
E.O.	EACH	N.U.	OUTSIDE DIAMETER
E.P.	EACH	N.V.	OUTSIDE DIAMETER
E.Q.	EACH	N.W.	OUTSIDE DIAMETER
E.R.	EACH	N.X.	OUTSIDE DIAMETER
E.S.	EACH	N.Y.	OUTSIDE DIAMETER
E.T.	EACH	N.Z.	OUTSIDE DIAMETER
E.U.	EACH	N.A.	OUTSIDE DIAMETER
E.V.	EACH	N.B.	OUTSIDE DIAMETER
E.W.	EACH	N.C.	OUTSIDE DIAMETER
E.X.	EACH	N.D.	OUTSIDE DIAMETER
E.Y.	EACH	N.E.	OUTSIDE DIAMETER
E.Z.	EACH	N.F.	OUTSIDE DIAMETER
F.	FINISH	N.G.	OUTSIDE DIAMETER
F.A.	FINISH	N.H.	OUTSIDE DIAMETER
F.B.	FINISH	N.I.	OUTSIDE DIAMETER
F.C.	FINISH	N.J.	OUTSIDE DIAMETER
F.D.	FINISH	N.K.	OUTSIDE DIAMETER
F.E.	FINISH	N.L.	OUTSIDE DIAMETER
F.F.	FINISH	N.M.	OUTSIDE DIAMETER
F.G.	FINISH	N.N.	OUTSIDE DIAMETER
F.H.	FINISH	N.O.	OUTSIDE DIAMETER
F.I.	FINISH	N.P.	OUTSIDE DIAMETER
F.J.	FINISH	N.Q.	OUTSIDE DIAMETER
F.K.	FINISH	N.R.	OUTSIDE DIAMETER
F.L.	FINISH	N.S.	OUTSIDE DIAMETER
F.M.	FINISH	N.T.	OUTSIDE DIAMETER
F.N.	FINISH	N.U.	OUTSIDE DIAMETER
F.O.	FINISH	N.V.	OUTSIDE DIAMETER
F.P.	FINISH	N.W.	OUTSIDE DIAMETER
F.Q.	FINISH	N.X.	OUTSIDE DIAMETER
F.R.	FINISH	N.Y.	OUTSIDE DIAMETER
F.S.	FINISH	N.Z.	OUTSIDE DIAMETER
F.T.	FINISH	N.A.	OUTSIDE DIAMETER
F.U.	FINISH	N.B.	OUTSIDE DIAMETER
F.V.	FINISH	N.C.	OUTSIDE DIAMETER
F.W.	FINISH	N.D.	OUTSIDE DIAMETER
F.X.	FINISH	N.E.	OUTSIDE DIAMETER
F.Y.	FINISH	N.F.	OUTSIDE DIAMETER
F.Z.	FINISH	N.G.	OUTSIDE DIAMETER
G.	GENERAL	N.H.	OUTSIDE DIAMETER
G.A.	GENERAL	N.I.	OUTSIDE DIAMETER
G.B.	GENERAL	N.J.	OUTSIDE DIAMETER
G.C.	GENERAL	N.K.	OUTSIDE DIAMETER
G.D.	GENERAL	N.L.	OUTSIDE DIAMETER
G.E.	GENERAL	N.M.	OUTSIDE DIAMETER
G.F.	GENERAL	N.N.	OUTSIDE DIAMETER
G.G.	GENERAL	N.O.	OUTSIDE DIAMETER
G.H.	GENERAL	N.P.	OUTSIDE DIAMETER
G.I.	GENERAL	N.Q.	OUTSIDE DIAMETER
G.J.	GENERAL	N.R.	OUTSIDE DIAMETER
G.K.	GENERAL	N.S.	OUTSIDE DIAMETER
G.L.	GENERAL	N.T.	OUTSIDE DIAMETER
G.M.	GENERAL	N.U.	OUTSIDE DIAMETER
G.N.	GENERAL	N.V.	OUTSIDE DIAMETER
G.O.	GENERAL	N.W.	OUTSIDE DIAMETER
G.P.	GENERAL	N.X.	OUTSIDE DIAMETER
G.Q.	GENERAL	N.Y.	OUTSIDE DIAMETER
G.R.	GENERAL	N.Z.	OUTSIDE DIAMETER
G.S.	GENERAL	N.A.	OUTSIDE DIAMETER
G.T.	GENERAL	N.B.	OUTSIDE DIAMETER
G.U.	GENERAL	N.C.	OUTSIDE DIAMETER
G.V.	GENERAL	N.D.	OUTSIDE DIAMETER
G.W.	GENERAL	N.E.	OUTSIDE DIAMETER
G.X.	GENERAL	N.F.	OUTSIDE DIAMETER
G.Y.	GENERAL	N.G.	OUTSIDE DIAMETER
G.Z.	GENERAL	N.H.	OUTSIDE DIAMETER
H.	HORIZONTAL	N.I.	OUTSIDE DIAMETER
H.A.	HORIZONTAL	N.J.	OUTSIDE DIAMETER
H.B.	HORIZONTAL	N.K.	OUTSIDE DIAMETER
H.C.	HORIZONTAL	N.L.	OUTSIDE DIAMETER
H.D.	HORIZONTAL	N.M.	OUTSIDE DIAMETER
H.E.	HORIZONTAL	N.N.	OUTSIDE DIAMETER
H.F.	HORIZONTAL	N.O.	OUTSIDE DIAMETER
H.G.	HORIZONTAL	N.P.	OUTSIDE DIAMETER
H.H.	HORIZONTAL	N.Q.	OUTSIDE DIAMETER
H.I.	HORIZONTAL	N.R.	OUTSIDE DIAMETER
H.J.	HORIZONTAL	N.S.	OUTSIDE DIAMETER
H.K.	HORIZONTAL	N.T.	OUTSIDE DIAMETER
H.L.	HORIZONTAL	N.U.	OUTSIDE DIAMETER
H.M.	HORIZONTAL	N.V.	OUTSIDE DIAMETER
H.N.	HORIZONTAL	N.W.	OUTSIDE DIAMETER
H.O.	HORIZONTAL	N.X.	OUTSIDE DIAMETER
H.P.	HORIZONTAL	N.Y.	OUTSIDE DIAMETER
H.Q.	HORIZONTAL	N.Z.	OUTSIDE DIAMETER
H.R.	HORIZONTAL	N.A.	OUTSIDE DIAMETER
H.S.	HORIZONTAL	N.B.	OUTSIDE DIAMETER
H.T.	HORIZONTAL	N.C.	OUTSIDE DIAMETER
H.U.	HORIZONTAL	N.D.	OUTSIDE DIAMETER
H.V.	HORIZONTAL	N.E.	OUTSIDE DIAMETER
H.W.	HORIZONTAL	N.F.	OUTSIDE DIAMETER
H.X.	HORIZONTAL	N.G.	OUTSIDE DIAMETER
H.Y.	HORIZONTAL	N.H.	OUTSIDE DIAMETER
H.Z.	HORIZONTAL	N.I.	OUTSIDE DIAMETER
I.	INSIDE	N.J.	OUTSIDE DIAMETER
I.A.	INSIDE	N.K.	OUTSIDE DIAMETER
I.B.	INSIDE	N.L.	OUTSIDE DIAMETER
I.C.	INSIDE	N.M.	OUTSIDE DIAMETER
I.D.	INSIDE	N.N.	OUTSIDE DIAMETER
I.E.	INSIDE	N.O.	OUTSIDE DIAMETER
I.F.	INSIDE	N.P.	OUTSIDE DIAMETER
I.G.	INSIDE	N.Q.	OUTSIDE DIAMETER
I.H.	INSIDE	N.R.	OUTSIDE DIAMETER
I.I.	INSIDE	N.S.	OUTSIDE DIAMETER
I.J.	INSIDE	N.T.	OUTSIDE DIAMETER
I.K.	INSIDE	N.U.	OUTSIDE DIAMETER
I.L.	INSIDE	N.V.	OUTSIDE DIAMETER
I.M.	INSIDE	N.W.	OUTSIDE DIAMETER
I.N.	INSIDE	N.X.	OUTSIDE DIAMETER
I.O.	INSIDE	N.Y.	OUTSIDE DIAMETER
I.P.	INSIDE	N.Z.	OUTSIDE DIAMETER
I.Q.	INSIDE	N.A.	OUTSIDE DIAMETER
I.R.	INSIDE	N.B.	OUTSIDE DIAMETER
I.S.	INSIDE	N.C.	OUTSIDE DIAMETER
I.T.	INSIDE	N.D.	OUTSIDE DIAMETER
I.U.	INSIDE	N.E.	OUTSIDE DIAMETER
I.V.	INSIDE	N.F.	OUTSIDE DIAMETER
I.W.	INSIDE	N.G.	OUTSIDE DIAMETER
I.X.	INSIDE	N.H.	OUTSIDE DIAMETER
I.Y.	INSIDE	N.I.	OUTSIDE DIAMETER
I.Z.	INSIDE	N.J.	OUTSIDE DIAMETER
J.	JOINT	N.K.	OUTSIDE DIAMETER
J.A.	JOINT	N.L.	OUTSIDE DIAMETER
J.B.	JOINT	N.M.	OUTSIDE DIAMETER
J.C.	JOINT	N.N.	OUTSIDE DIAMETER
J.D.	JOINT	N.O.	OUTSIDE DIAMETER
J.E.	JOINT	N.P.	OUTSIDE DIAMETER
J.F.	JOINT	N.Q.	OUTSIDE DIAMETER
J.G.	JOINT	N.R.	OUTSIDE DIAMETER
J.H.	JOINT	N.S.	OUTSIDE DIAMETER
J.I.	JOINT	N.T.	OUTSIDE DIAMETER
J.J.	JOINT	N.U.	OUTSIDE DIAMETER
J.K.	JOINT	N.V.	OUTSIDE DIAMETER
J.L.	JOINT	N.W.	OUTSIDE DIAMETER
J.M.	JOINT	N.X.	OUTSIDE DIAMETER
J.N.	JOINT	N.Y.	OUTSIDE DIAMETER
J.O.	JOINT	N.Z.	OUTSIDE DIAMETER
J.P.	JOINT	N.A.	OUTSIDE DIAMETER
J.Q.	JOINT	N.B.	OUTSIDE DIAMETER
J.R.	JOINT	N.C.	OUTSIDE DIAMETER
J.S.	JOINT	N.D.	OUTSIDE DIAMETER
J.T.	JOINT	N.E.	OUTSIDE DIAMETER
J.U.	JOINT	N.F.	OUTSIDE DIAMETER
J.V.	JOINT	N.G.	OUTSIDE DIAMETER
J.W.	JOINT	N.H.	OUTSIDE DIAMETER
J.X.	JOINT	N.I.	OUTSIDE DIAMETER
J.Y.	JOINT	N.J.	OUTSIDE DIAMETER
J.Z.	JOINT	N.K.	OUTSIDE DIAMETER
K.	KEY	N.L.	OUTSIDE DIAMETER
K.A.	KEY	N.M.	OUTSIDE DIAMETER
K.B.	KEY	N.N.	OUTSIDE DIAMETER
K.C.	KEY	N.O.	OUTSIDE DIAMETER
K.D.	KEY	N.P.	OUTSIDE DIAMETER
K.E.	KEY	N.Q.	OUTSIDE DIAMETER
K.F.	KEY	N.R.	OUTSIDE DIAMETER
K.G.	KEY	N.S.	OUTSIDE DIAMETER
K.H.	KEY	N.T.	OUTSIDE DIAMETER
K.I.	KEY	N.U.	OUTSIDE DIAMETER