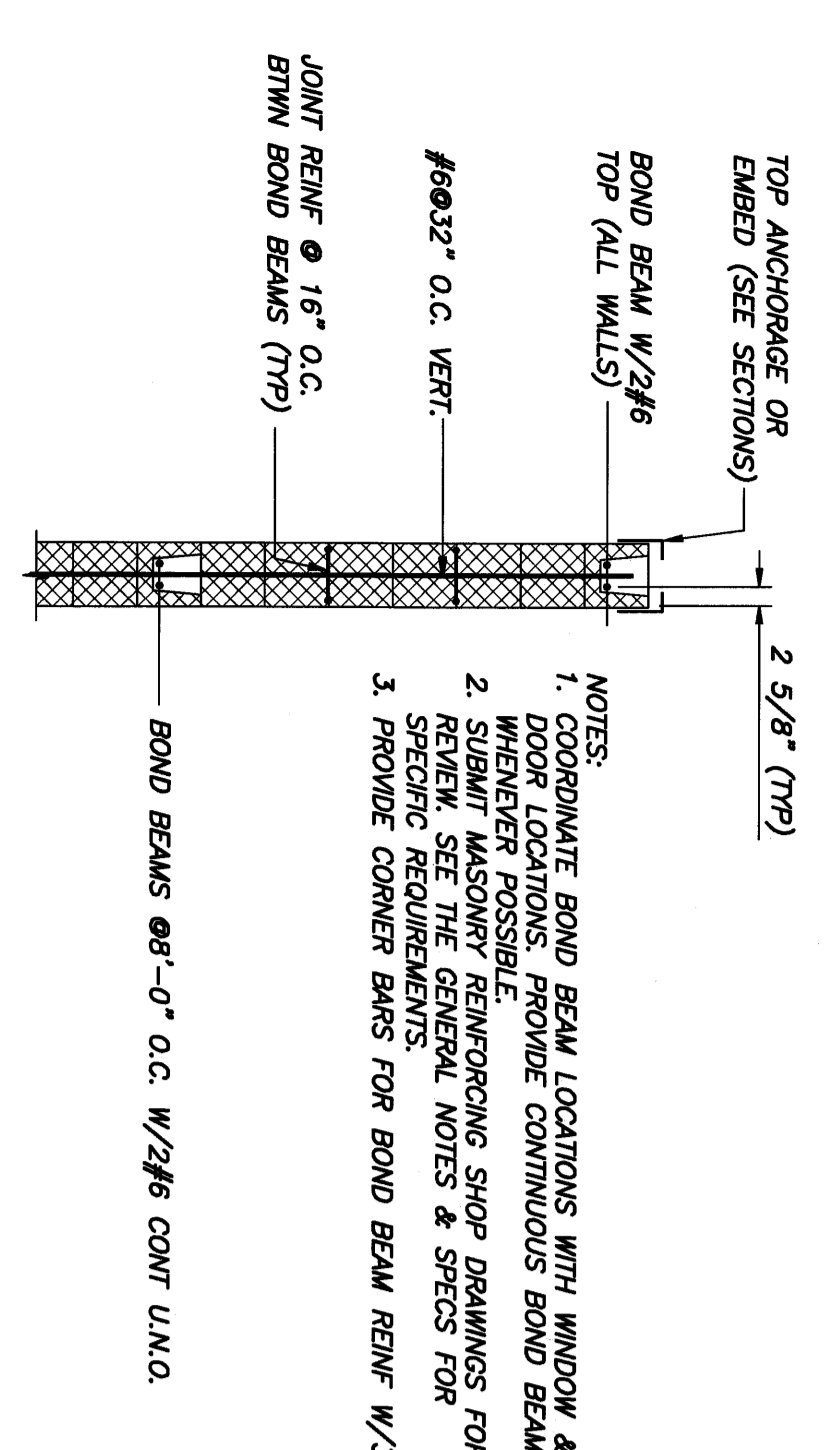


TYP PLAN DETAILS AT CMU WALLS

- NOTES:
1. PROVIDE 3/16" LAUER THE HORIZ REINFC #16 O.C. U.N.O.
  2. PROVIDE BOND BEAMS W/ 2#5 CONT #1 TOP OF ALL WALLS & REINFC #16 O.C. E.W. TOP OF ALL WALLS (SEE SECTION BELOW).
  3. ALL REINFORCED CELLS ARE TO BE GROUTED.
  4. LAP BARS AT SPACES MIN. 48 BAR DIAMETERS.



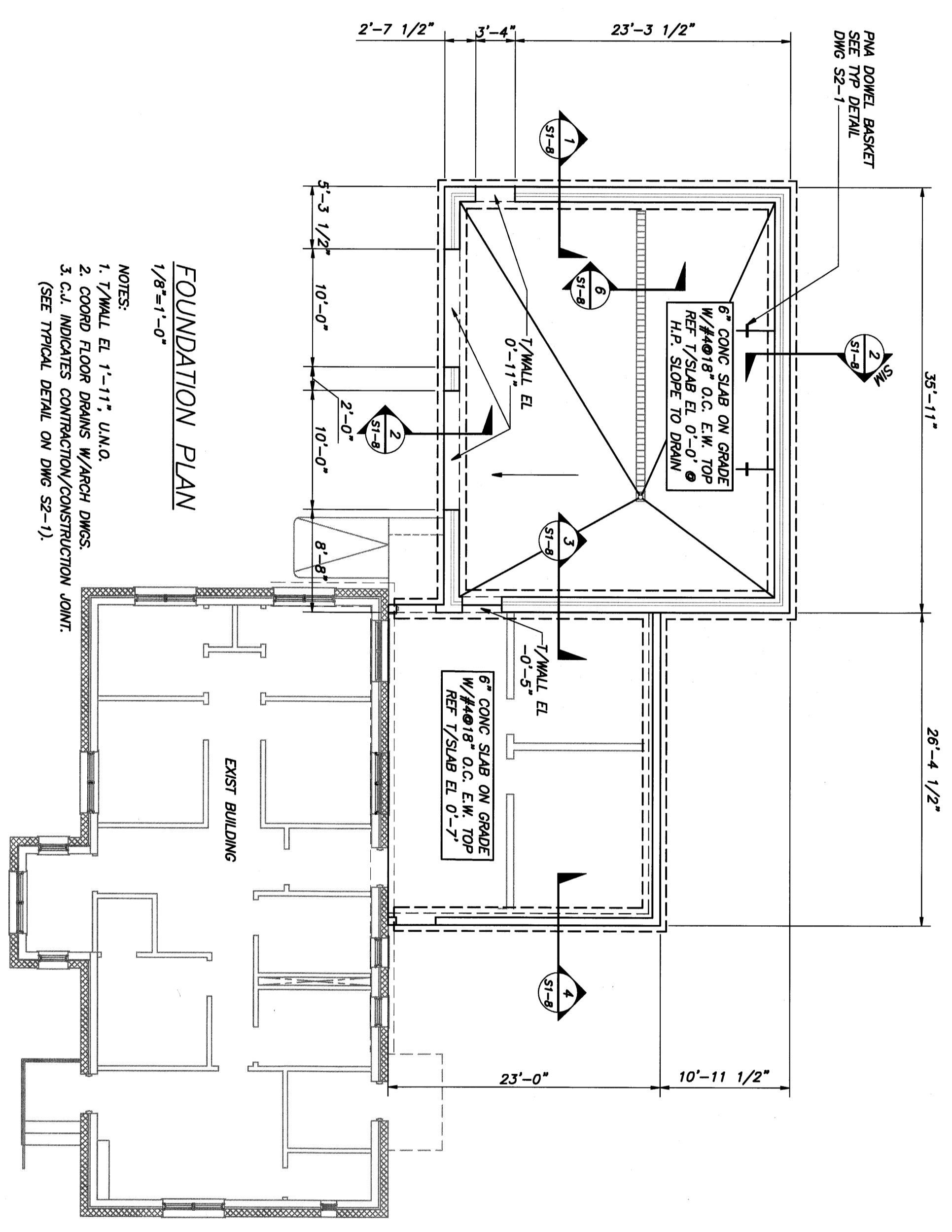
- NOTES:
1. COORDINATE BOND BEAM LOCATIONS WITH WINDOW & DOOR LOCATIONS. PROVIDE CONTINUOUS BOND BEAMS THROUGH ALL OPENINGS.
  2. SUBMIT MASONRY REINFORCING SHOP DRAWINGS FOR REVIEW. SEE THE GENERAL NOTES & SPECS FOR REINFC.
  3. PROVIDE CORNER BARS FOR BOND BEAM REINFC W/ 5# LAP.

TYP CMU WALL SECTION

CMU LINTEL SCHEDULE

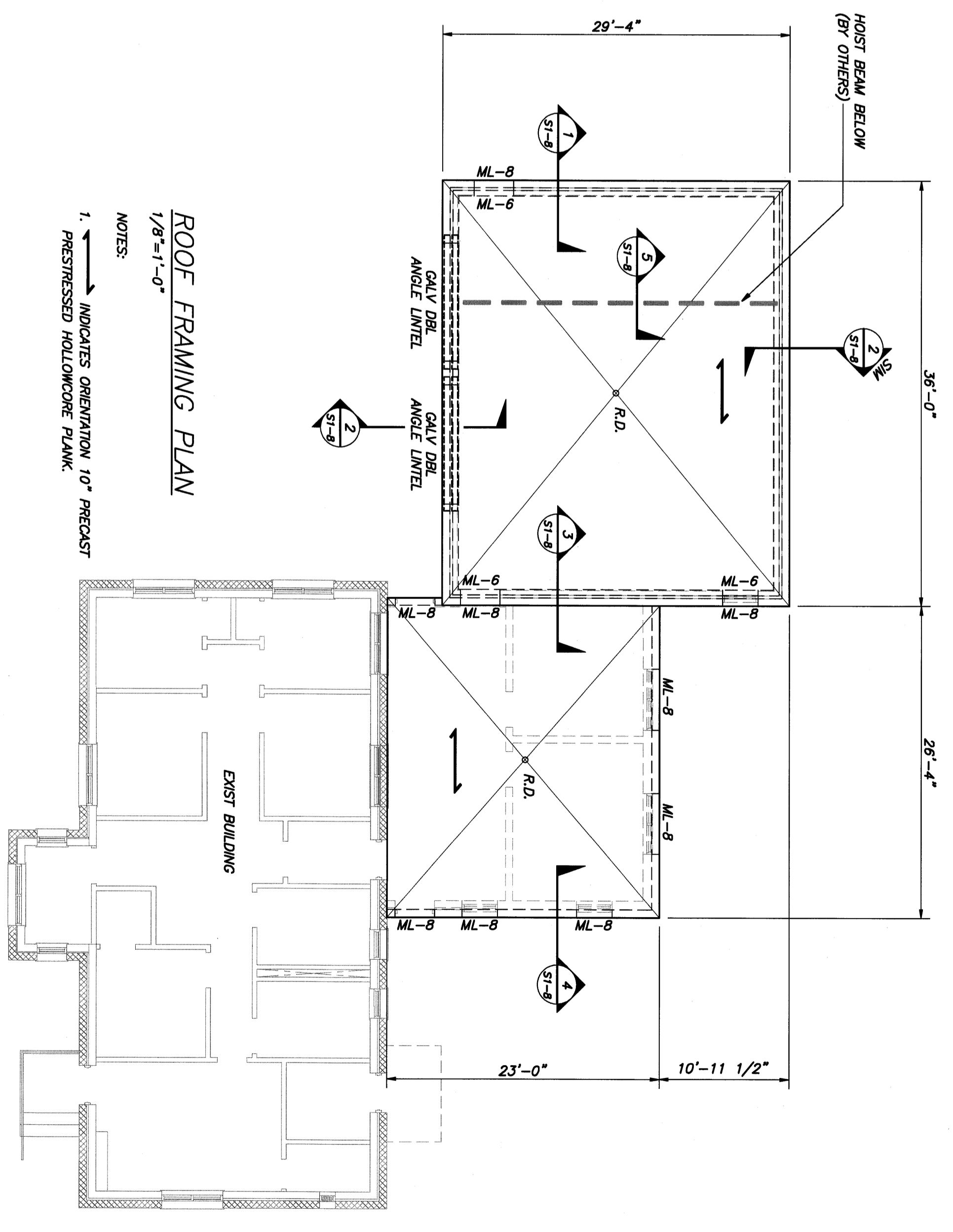
MARK	CLEAR SPAN	WIDTH	DEPTH	REINFC
ML-6	< 6'-0"	6"	8"	2#4 CONT
ML-8	< 6'-0"	8"	8"	2#5 CONT

- NOTES:
1. PROVIDE 8" OF BEARING AT EACH END OF ALL LINTELS.



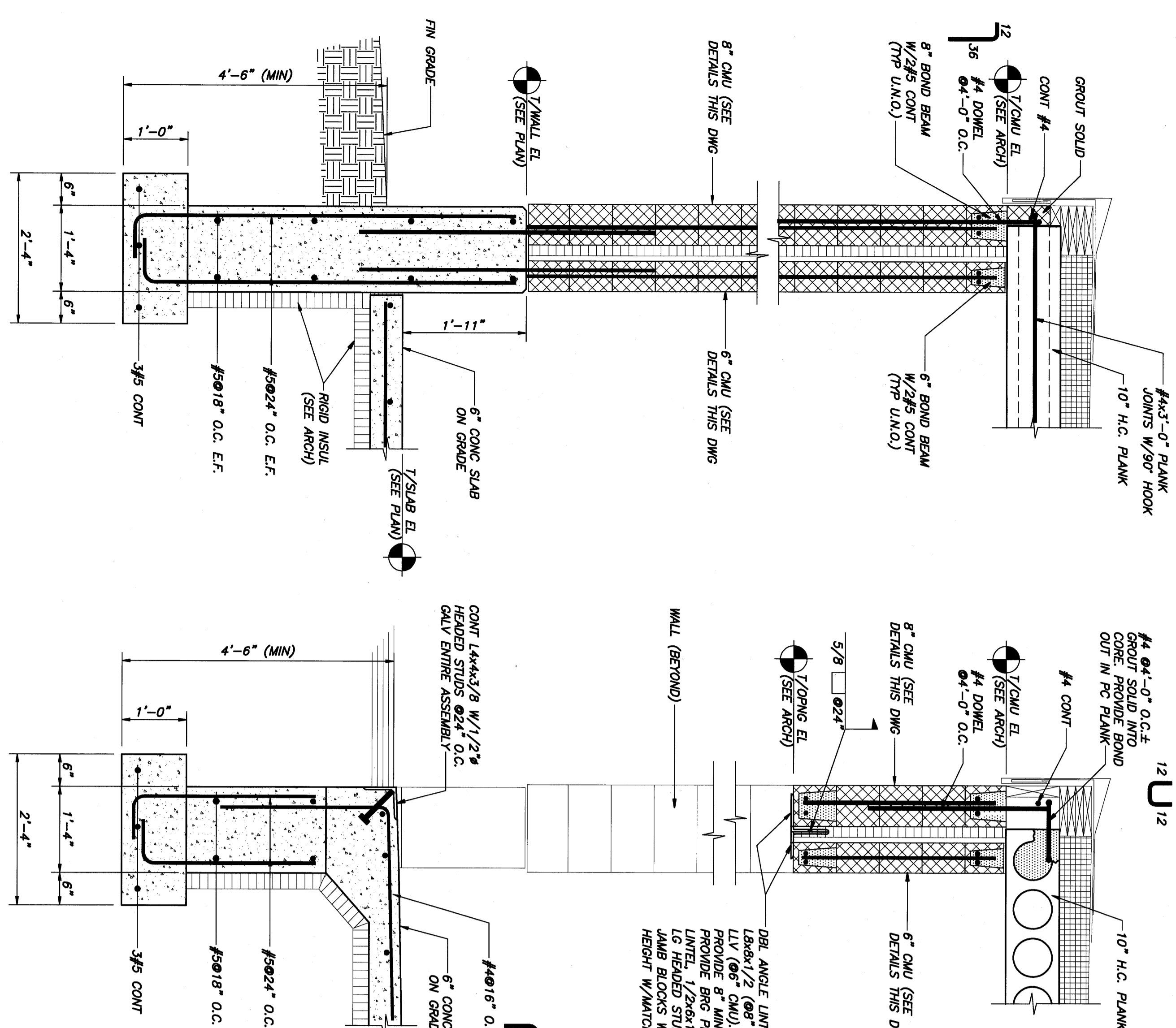
FOUNDATION PLAN

- NOTES:
1. T/WALL EL. 1'-11" U.N.O.
  2. COMB FLOOR BEAMS W/ ARCH DIMS.
  3. C.U. INDICATES CONTRACTION/CONSTRUCTION JOINT. (SEE TYPICAL DETAIL ON DWG S2-1).

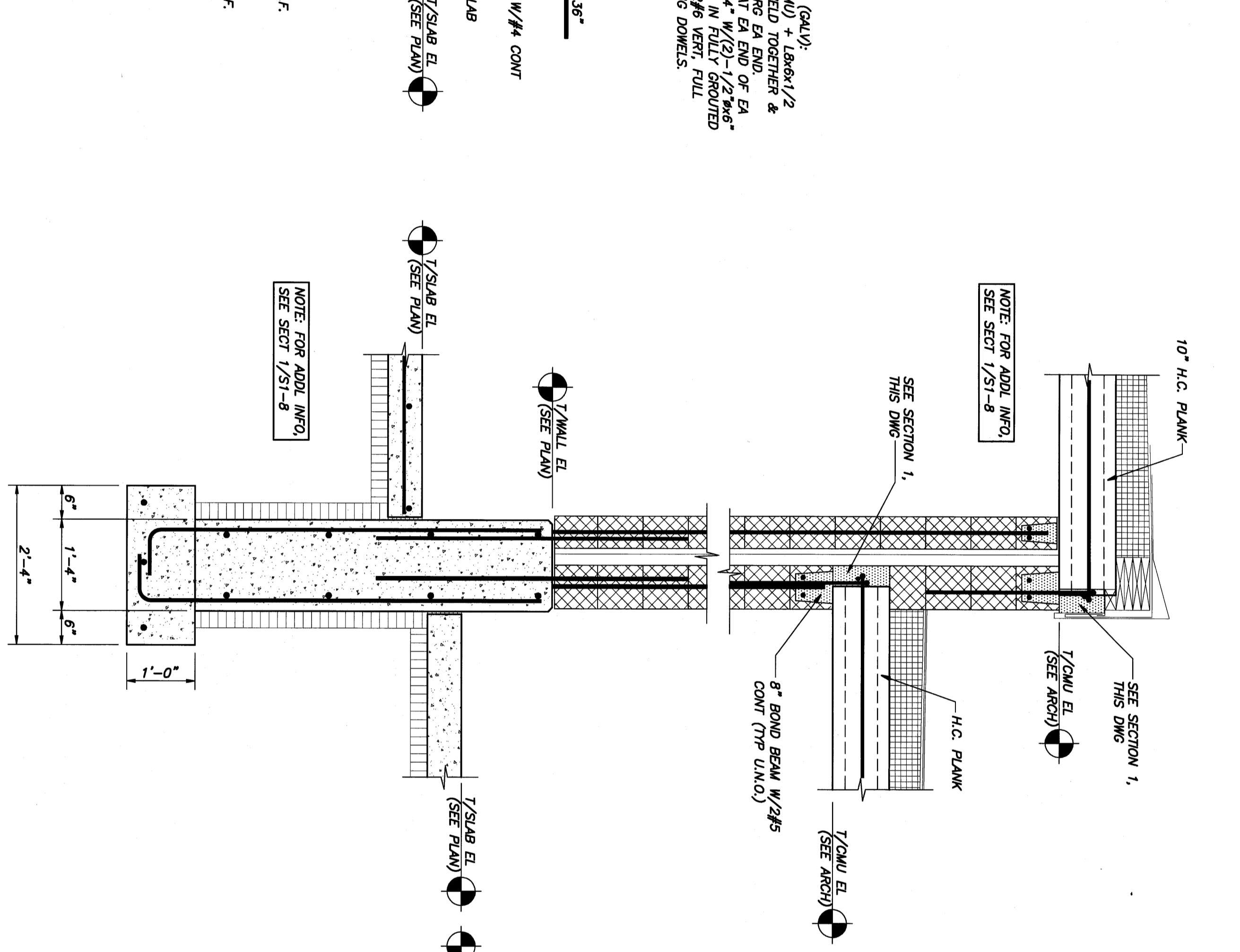


ROOF FRAMING PLAN

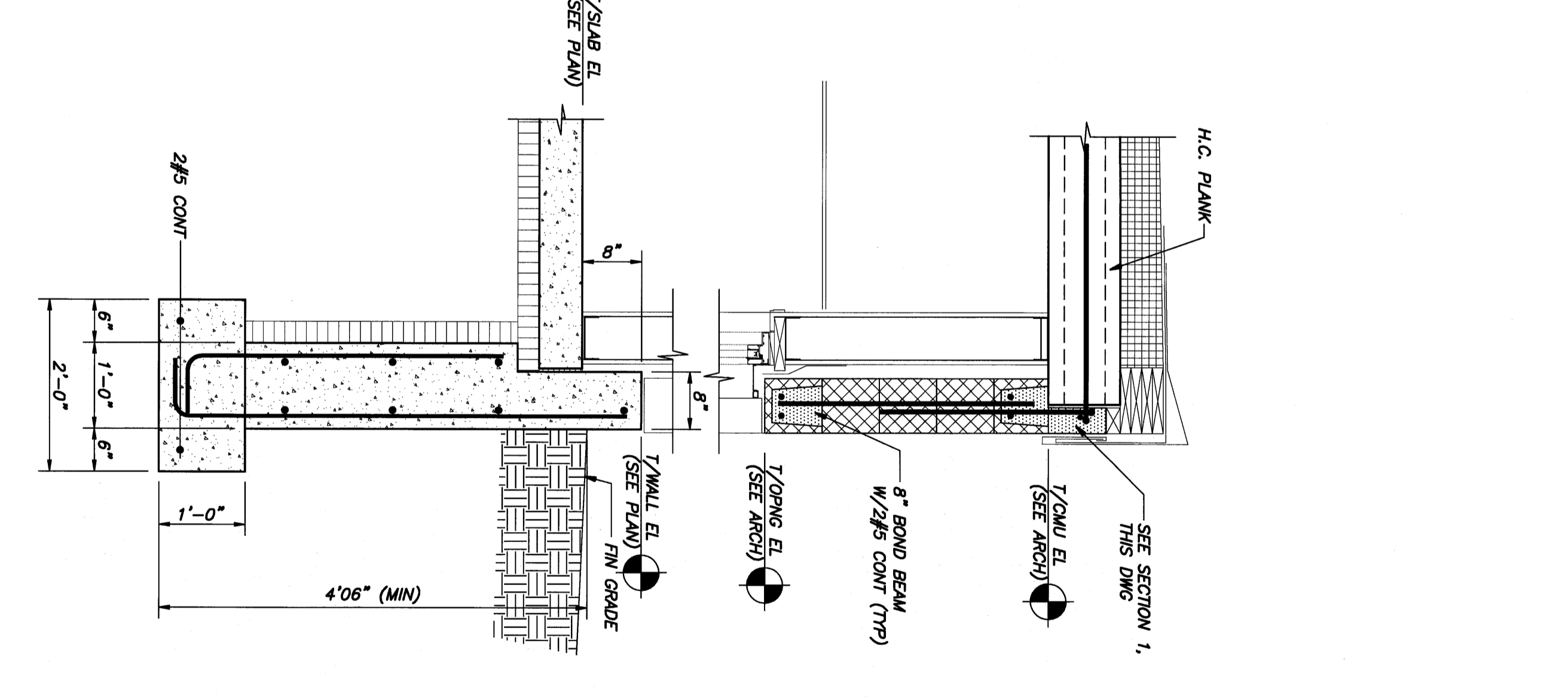
- NOTES:
1. INDICATES ORIENTATION 10" PRECAST PRESTRESSED HOLLOWCORE PLANK.



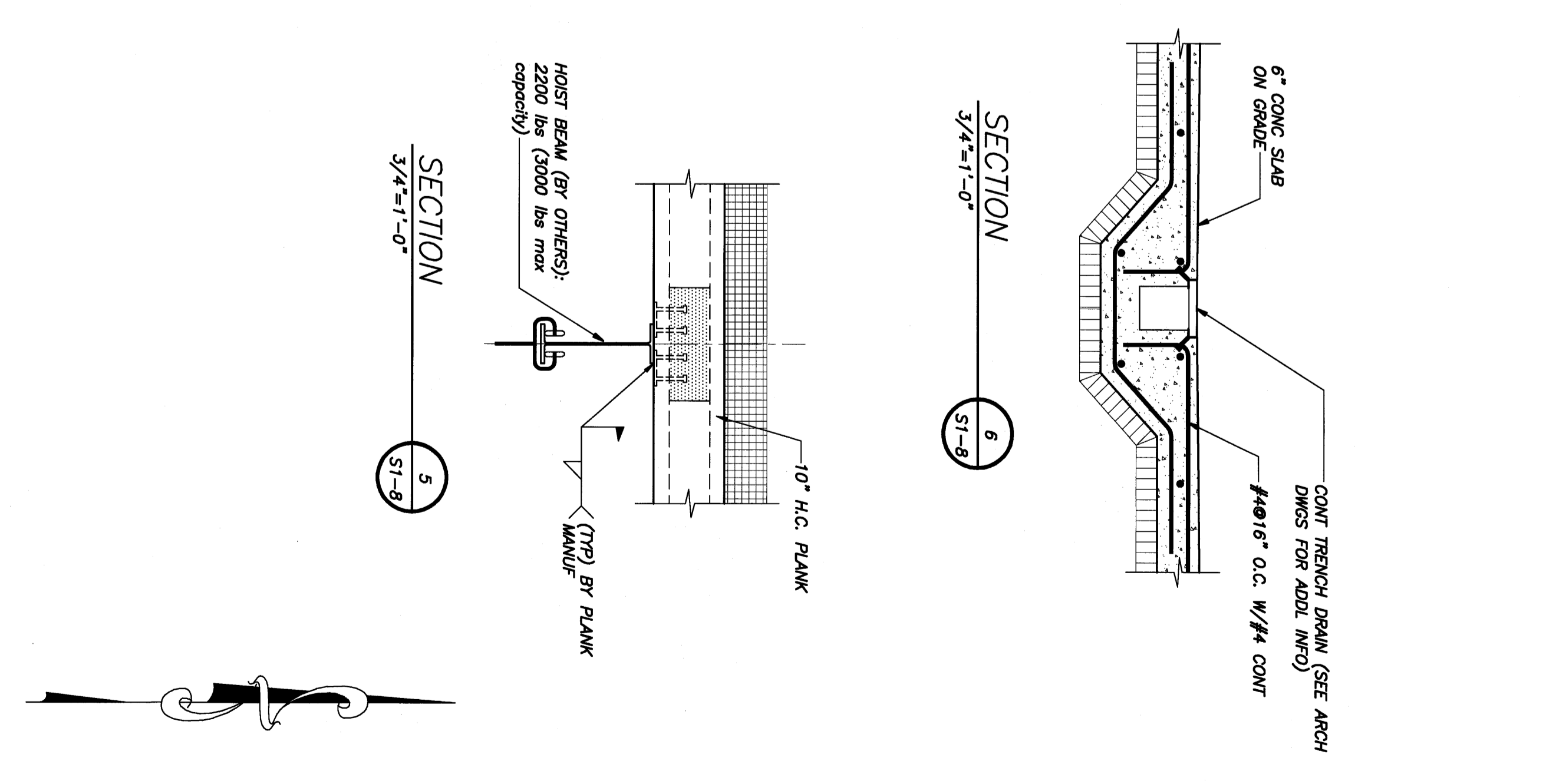
SECTION 1  
3/4"=1'-0"



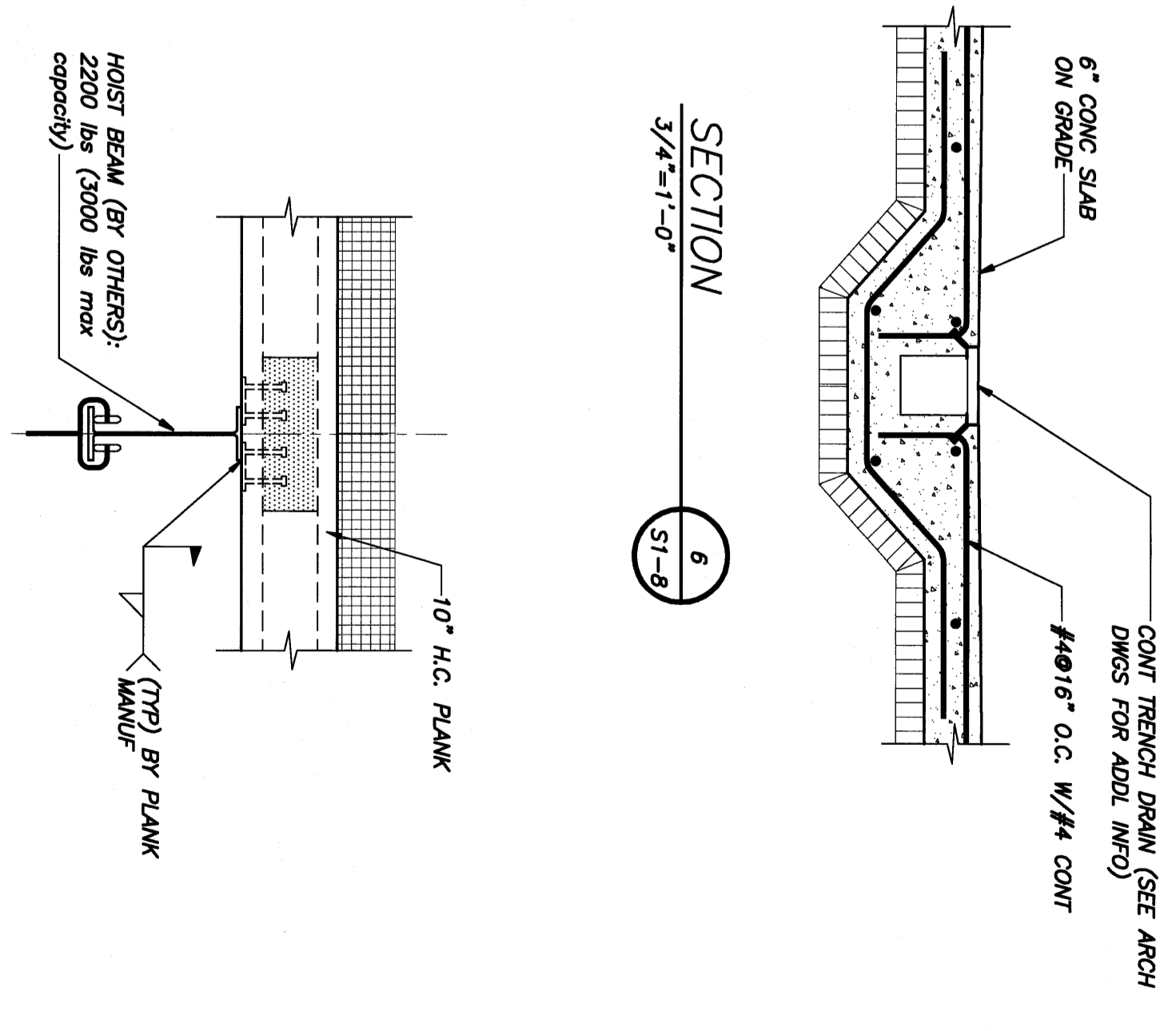
SECTION 2  
3/4"=1'-0"



SECTION 3  
3/4"=1'-0"



SECTION 4  
3/4"=1'-0"



SECTION 5  
3/4"=1'-0"



SECTION 6  
3/4"=1'-0"

PHASE II  
PARKING GARAGE  
1001 WESTBROOK ST.,  
PORTLAND, MAINE

PORTLAND INTERNATIONAL JETPORT

DEPARTMENT OF WATERFRONT AND TRANSPORTATION

CITY OF PORTLAND PORTLAND, MAINE

Confirmed-Set, for Field Use

BECKER STRUCTURAL ENGINEERS, INC.  
155 Massachusetts Ave.  
Boston, MA 02115  
617-267-6488  
Fax 617-267-1990

DOMENECH HICKS & KROCKMALNIC ARCHITECTS

NO. DATE REVISION

NOTED

TRUCK SHED PLANS, SECTIONS & DETAILS

S1-8