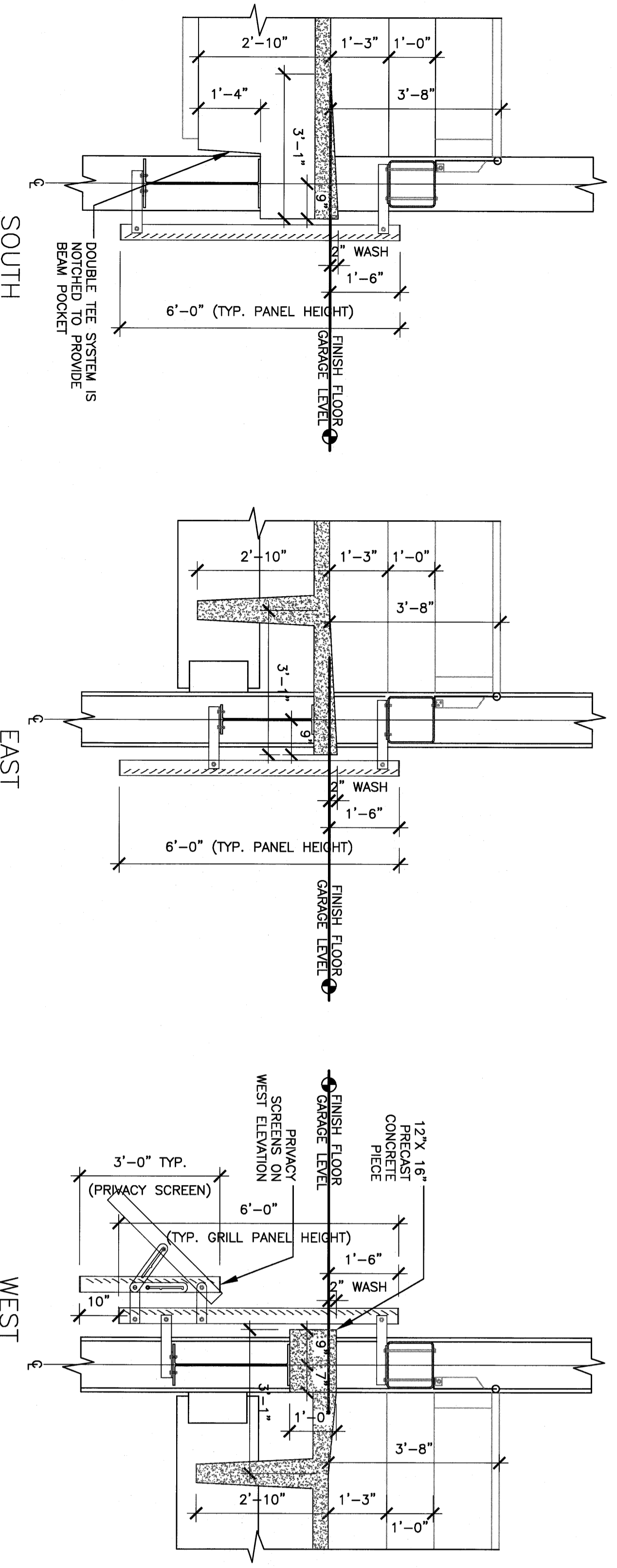
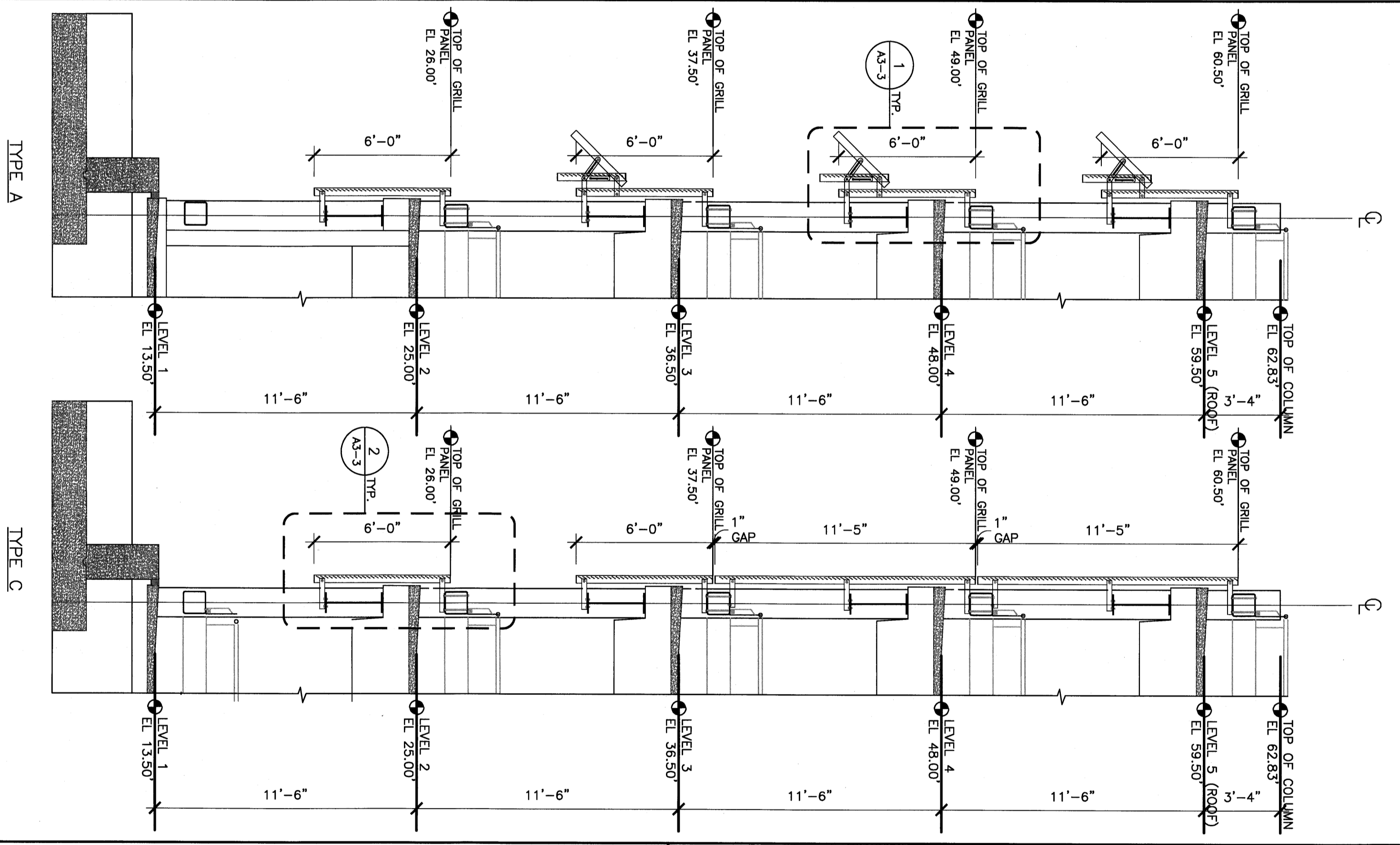


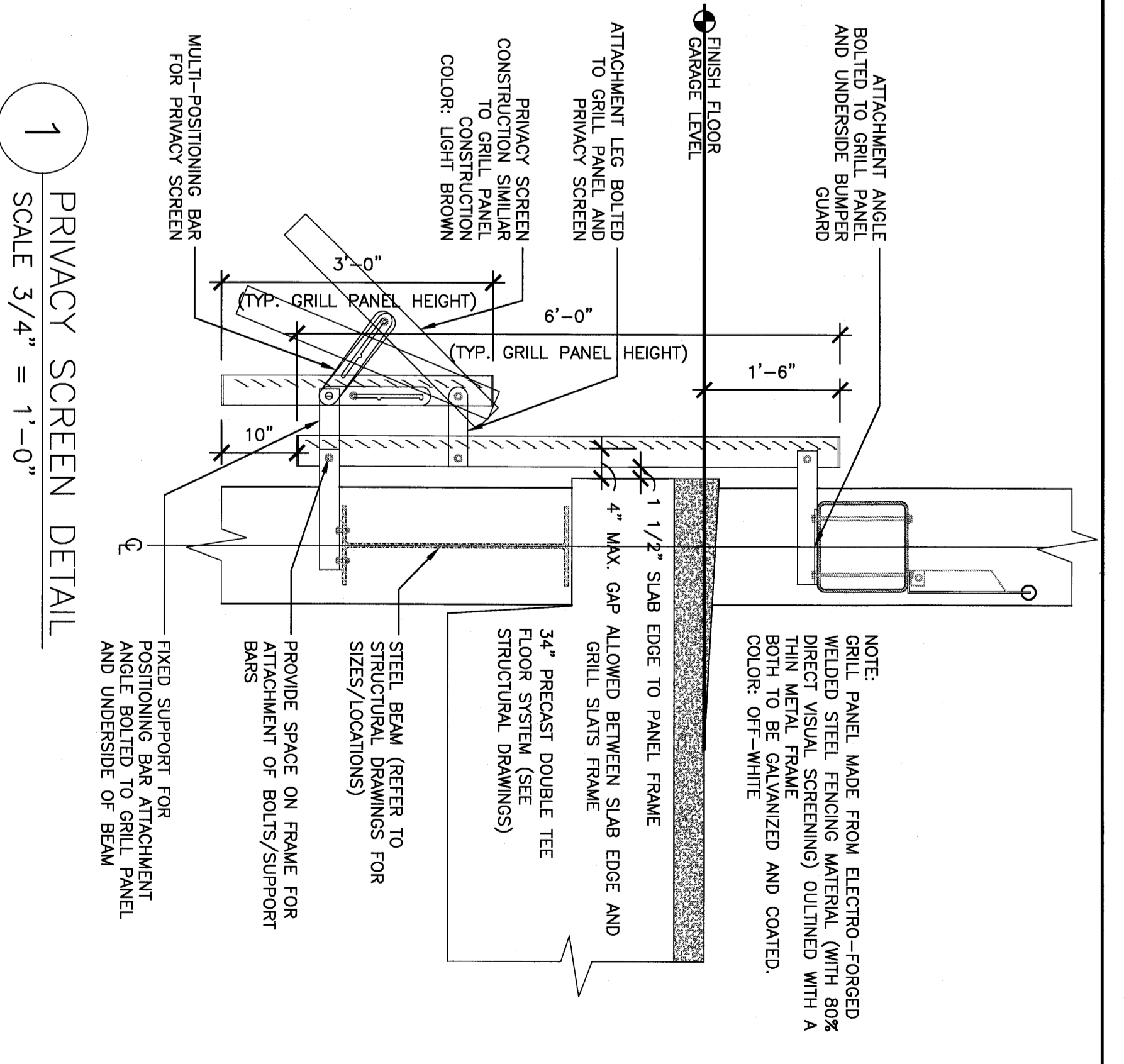
4 THEMATIC ELEVATION  
SCALE 1/4" = 1'-0"



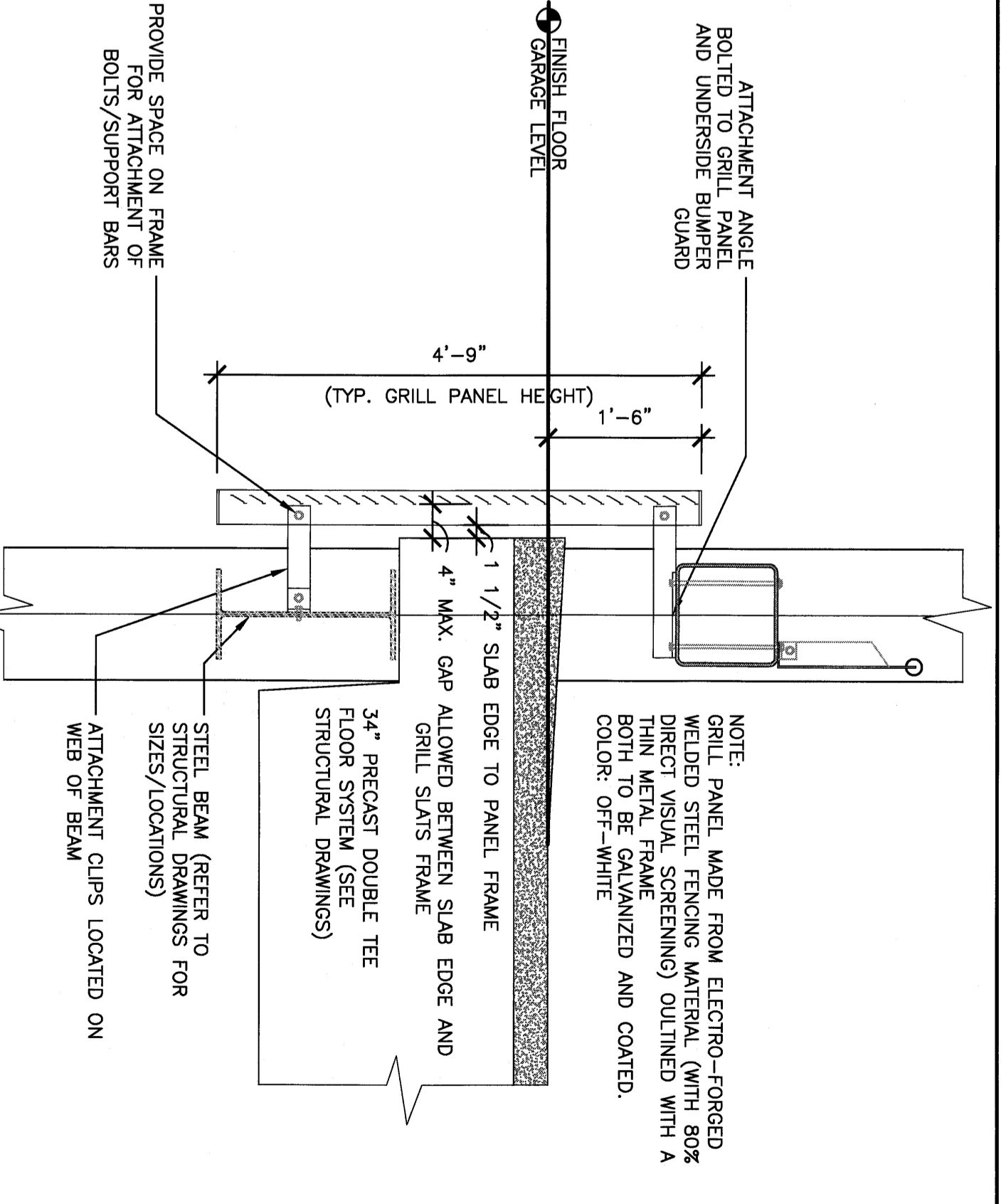
5 TYP. SLAB AND BEAM CONFIGURATION AT EXTERIOR ELEVATIONS  
SCALE 1/2" = 1'-0"



3 PANEL CONFIGURATION TYPES  
SCALE 1/4" = 1'-0"



1 PRIVACY SCREEN DETAIL  
SCALE 3/4" = 1'-0"



2 PANEL @ CAR PASSAGE  
SCALE 3/4" = 1'-0"

DOMENECH  
HICKS &  
KROCKMALLINC  
ARCHITECTS

155 Massachusetts Ave.  
Boston, MA 02115  
617-267-6408  
617-267-1990

CONFORMED SET  
FOR FIELD USE

CITY OF PORTLAND  
PORTLAND, MAINE

DEPARTMENT OF  
WATERFRONT AND  
TRANSPORTATION

PORTLAND  
INTERNATIONAL  
JETPORT

PHASE II  
PARKING GARAGE  
1001 WESTBROOK ST.,  
PORTLAND, MAINE

No.	Date	Revision

**TITLE**  
GRILL PANEL SECTIONS  
ELEVATION & DETAILS

**VARIABLES**

Drawn By: AS-3	Project No.: 2638
Checked By: GK	Date: 2/28/09

**A3-3**

If this sheet is less than 30"x42" in size, it has been reduced. Graphic scales must be adjusted accordingly.