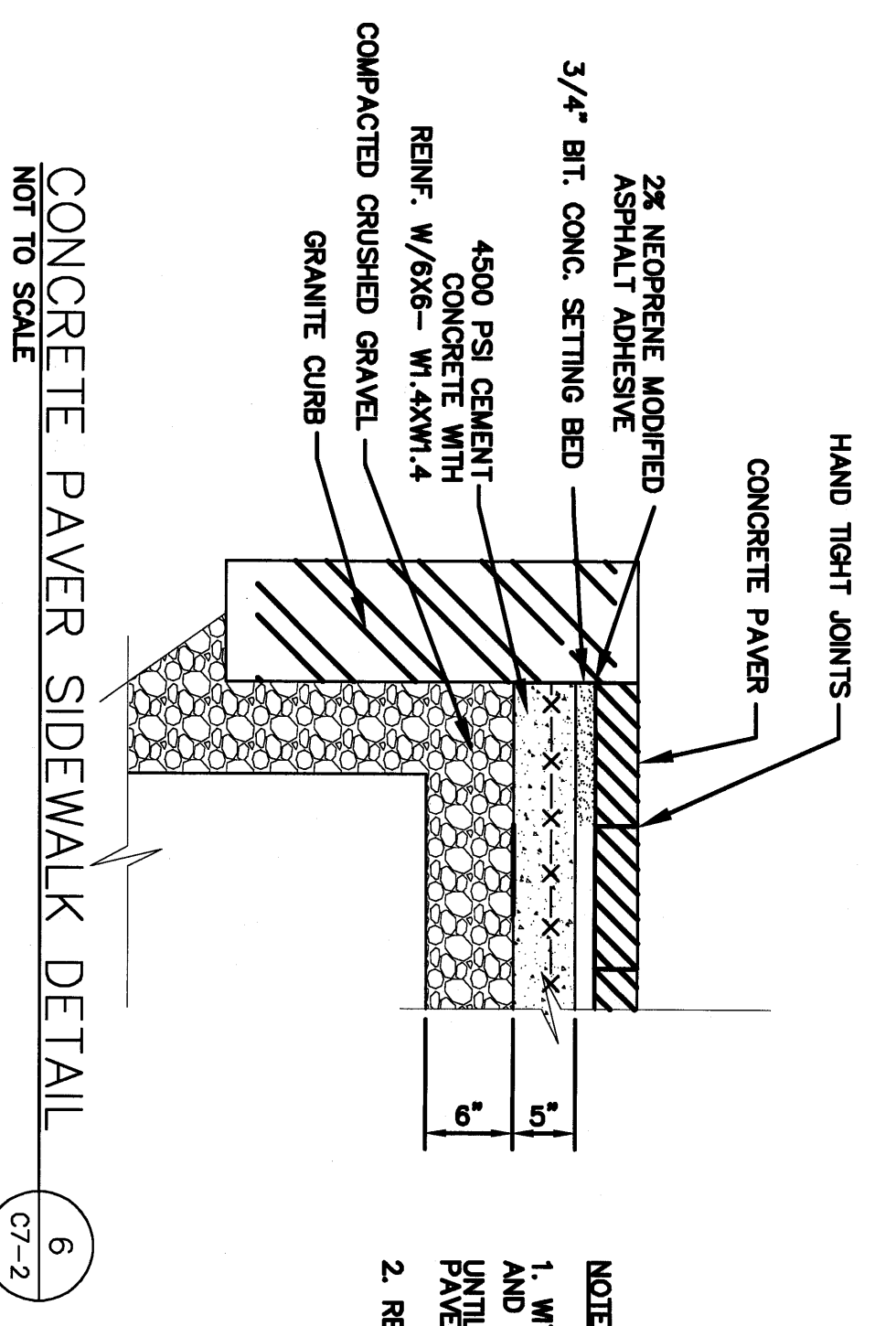
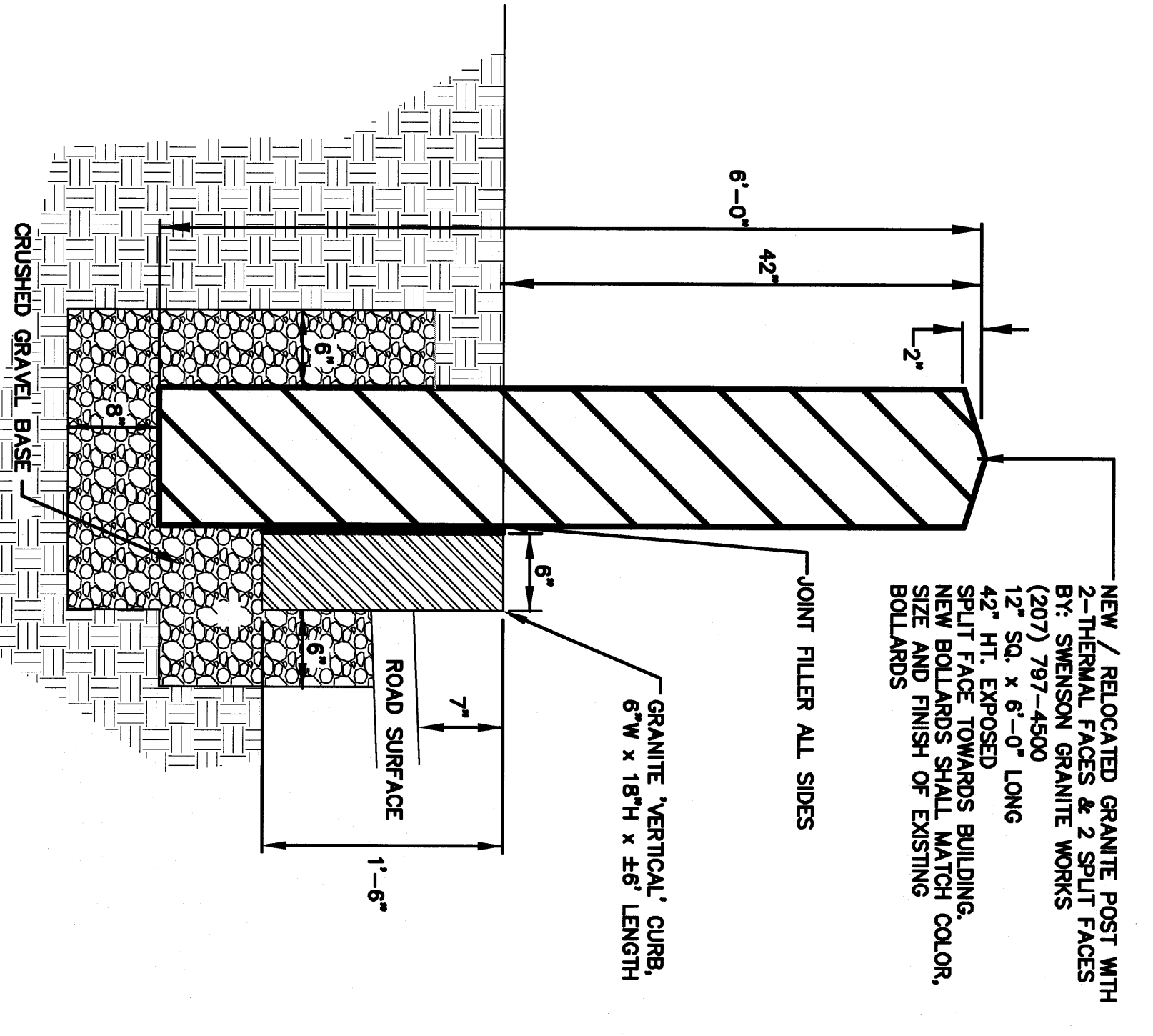
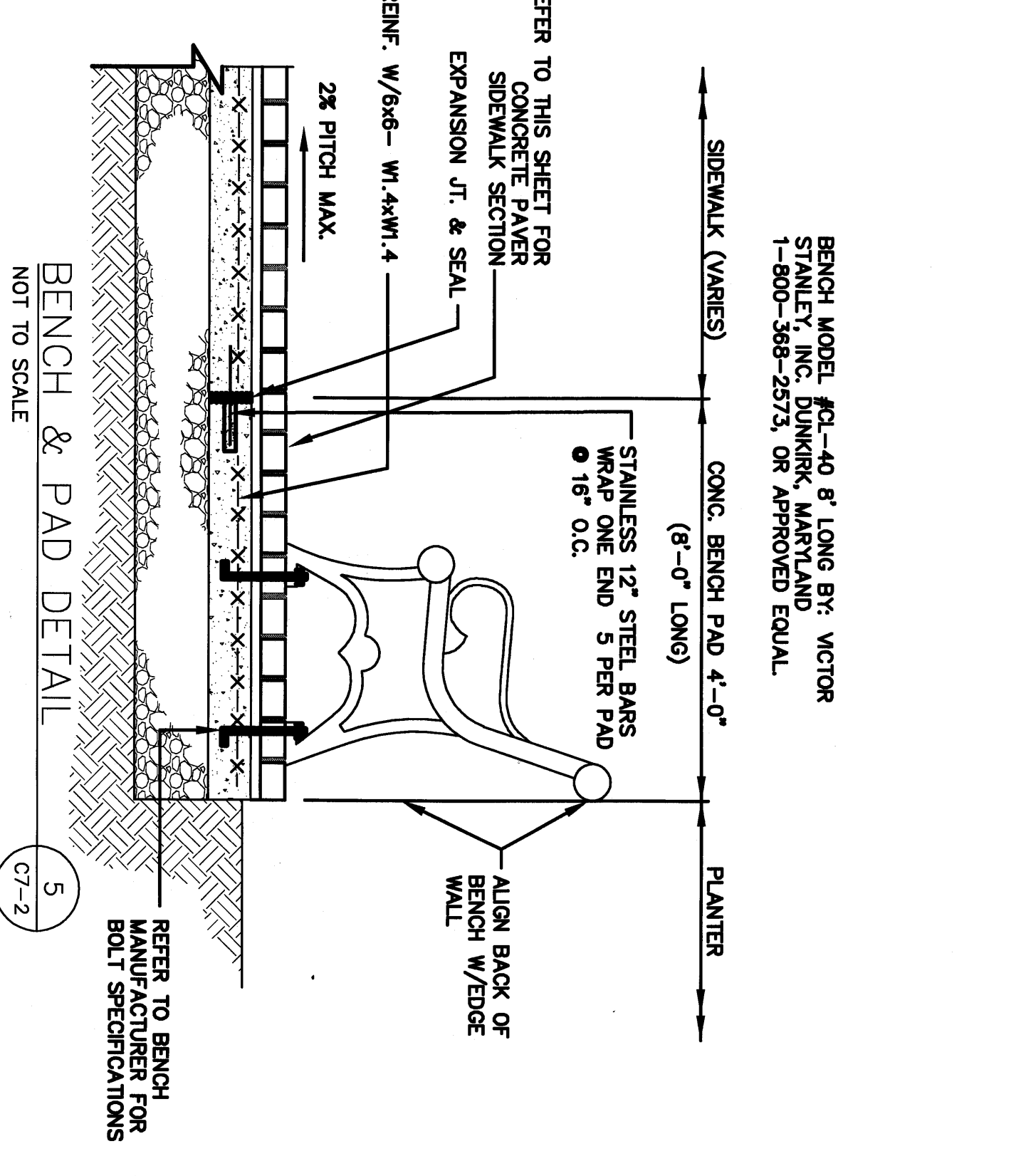
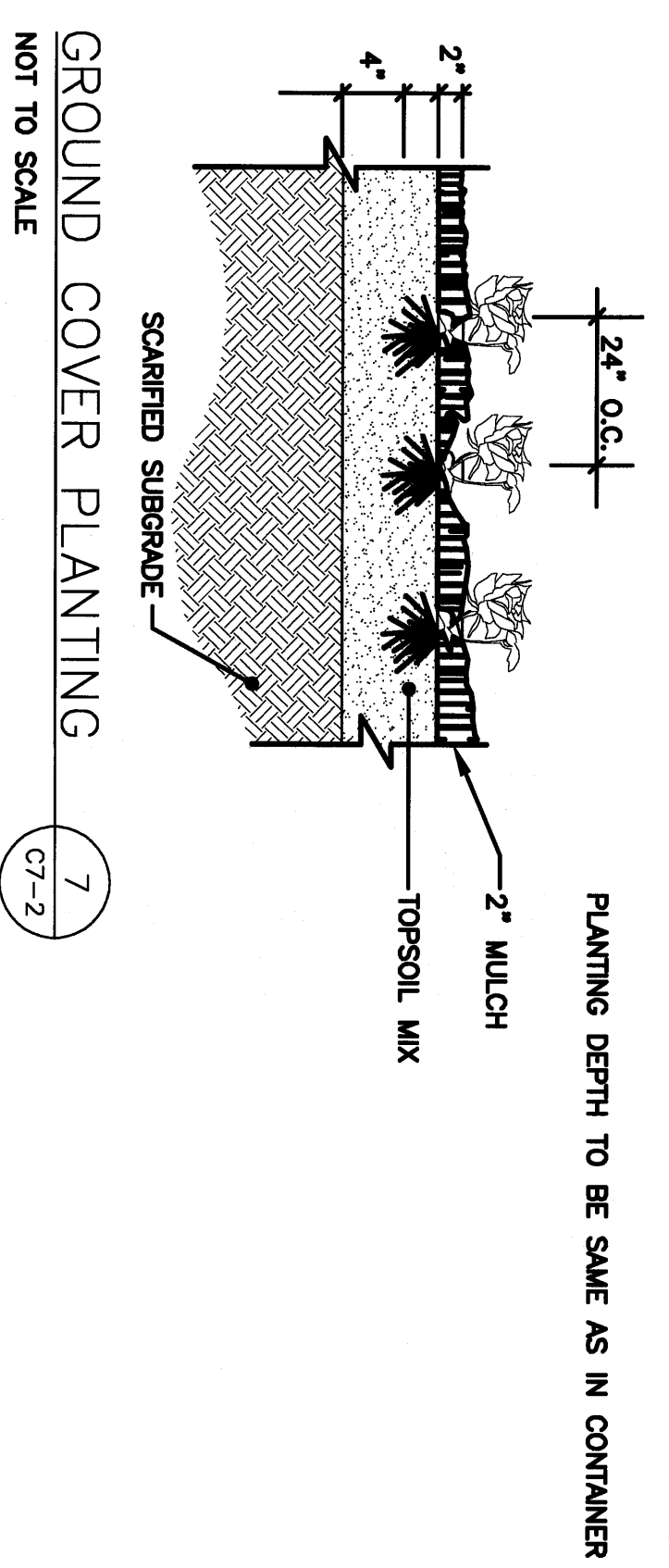


PLANT SCHEDULE

SYM	COMMON NAME	BOTANICAL NAME	SIZE	NOTES
SR	Hooy Silk Japanese Tree Liliac	Springa reticulata 'Hooy Silk'	2-2.5\" Caliper	BBB
TO	Dark American Arborvitae	Thuja occidentalis 'Nigra'	6-7\"	BBB
KFC	'Koster' False Cypress	Chamaecyparis obtusa 'Koster'	4-5\"	4 FT. O.C.
SKE	Komachi-hidarium Sedum	Sedum komechidarium	1 QT POT	24\" O.C.
		(Aliscombinum)		



- NOTES:**
1. WITH A BRUSH SWEEP PORTLAND CEMENT AND WATER TO A MOISTURE CURABLE FINISH. JOINTS ARE FILLED FROM TOP OF PAVES AND THEN FLOTTED WITH WATER.
 2. REFER TO SPEC SECTION 02233

If this sheet is less than 30"x42" in size, it has been reduced. Graphic scales must be adjusted accordingly.

DOMENECH HICKS & KROCKMALNIC ARCHITECTS
 155 Massachusetts Ave.
 Boston, MA 02115
 617-267-0408
 Fax: 617-267-1990

Stantec
 Stantec Consulting Services Inc.
 22 Free Street, Suite 205
 04101-3800, U.S.A.
 Tel. 207.775.3211
 Fax. 207.775.6434
 www.stantec.com

CONFORMED SET FOR FIELD USE
 CITY OF PORTLAND
 PORTLAND, MAINE
 DEPARTMENT OF WATERFRONT AND TRANSPORTATION

PWTI
 PORTLAND INTERNATIONAL JETPORT
 PHASE II
 PARKING GARAGE
 1001 WESTBROOK ST.,
 PORTLAND, MAINE

LANDSCAPE DETAILS
 TITLE
 No. DATE REVISION
 1
 02-25-08
 DRAWN BY: JLG
 CHECKED BY: DDD
 DATE: 02-25-08
 PROJECT NO.: 02-25-08
C7-2