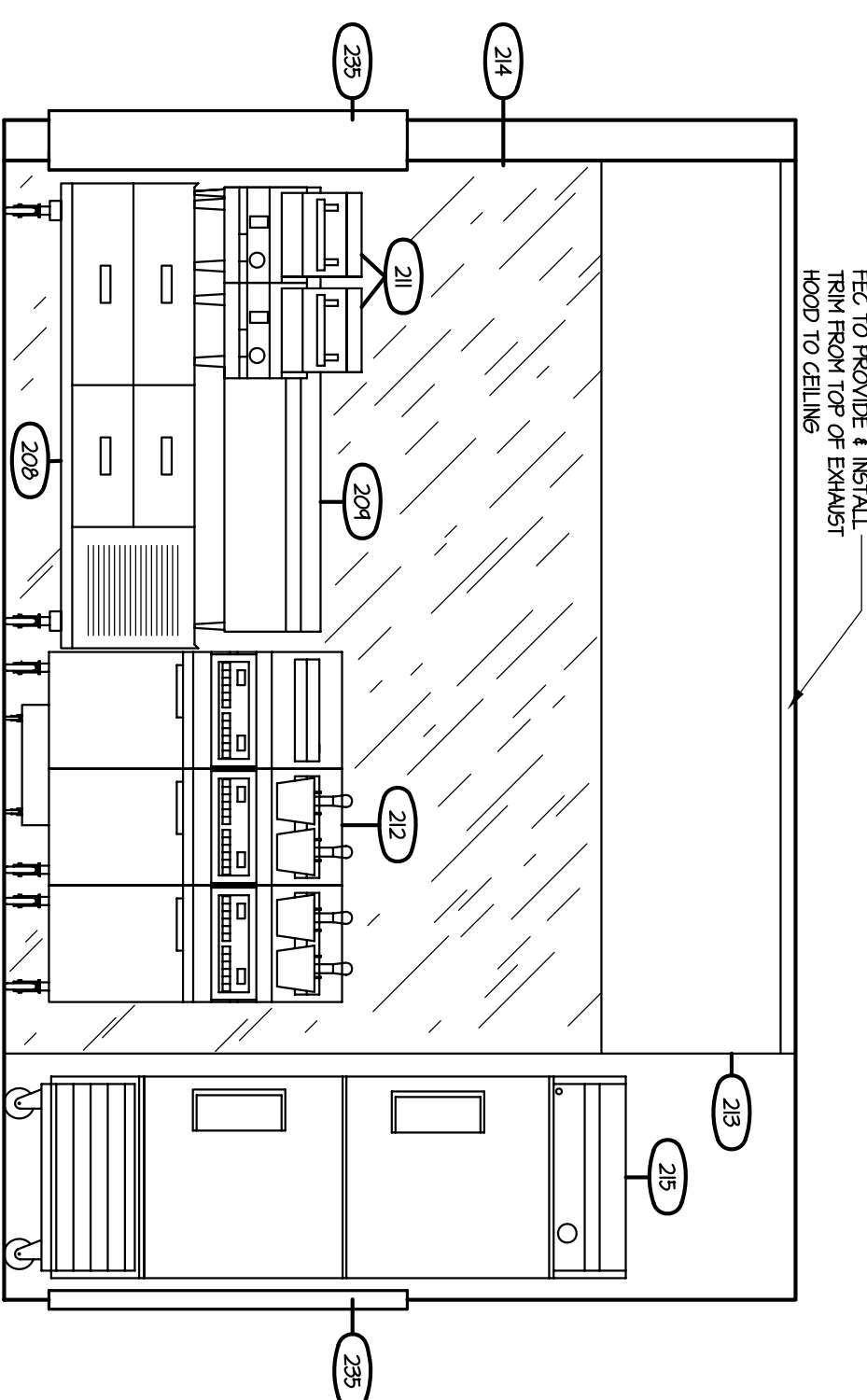
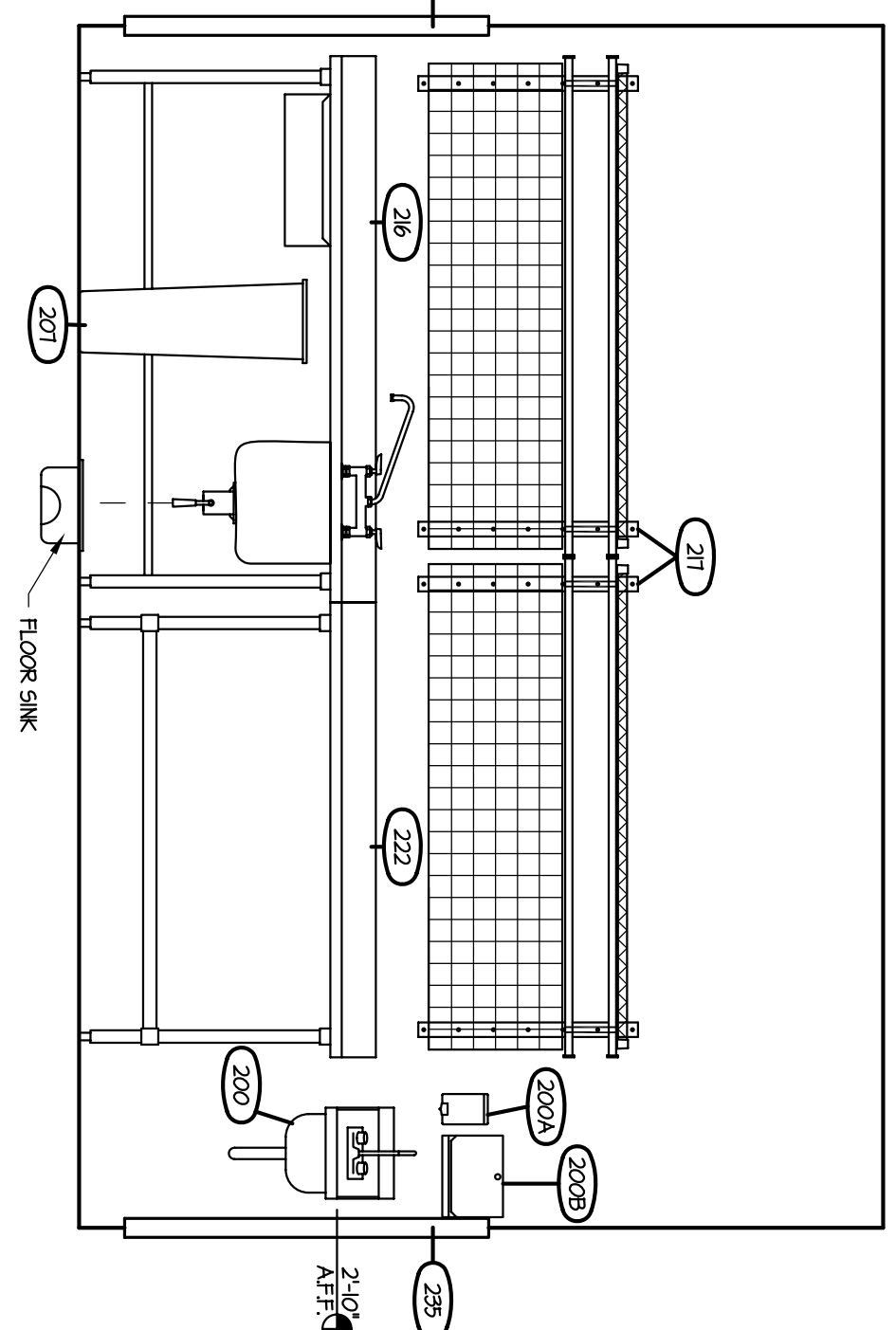


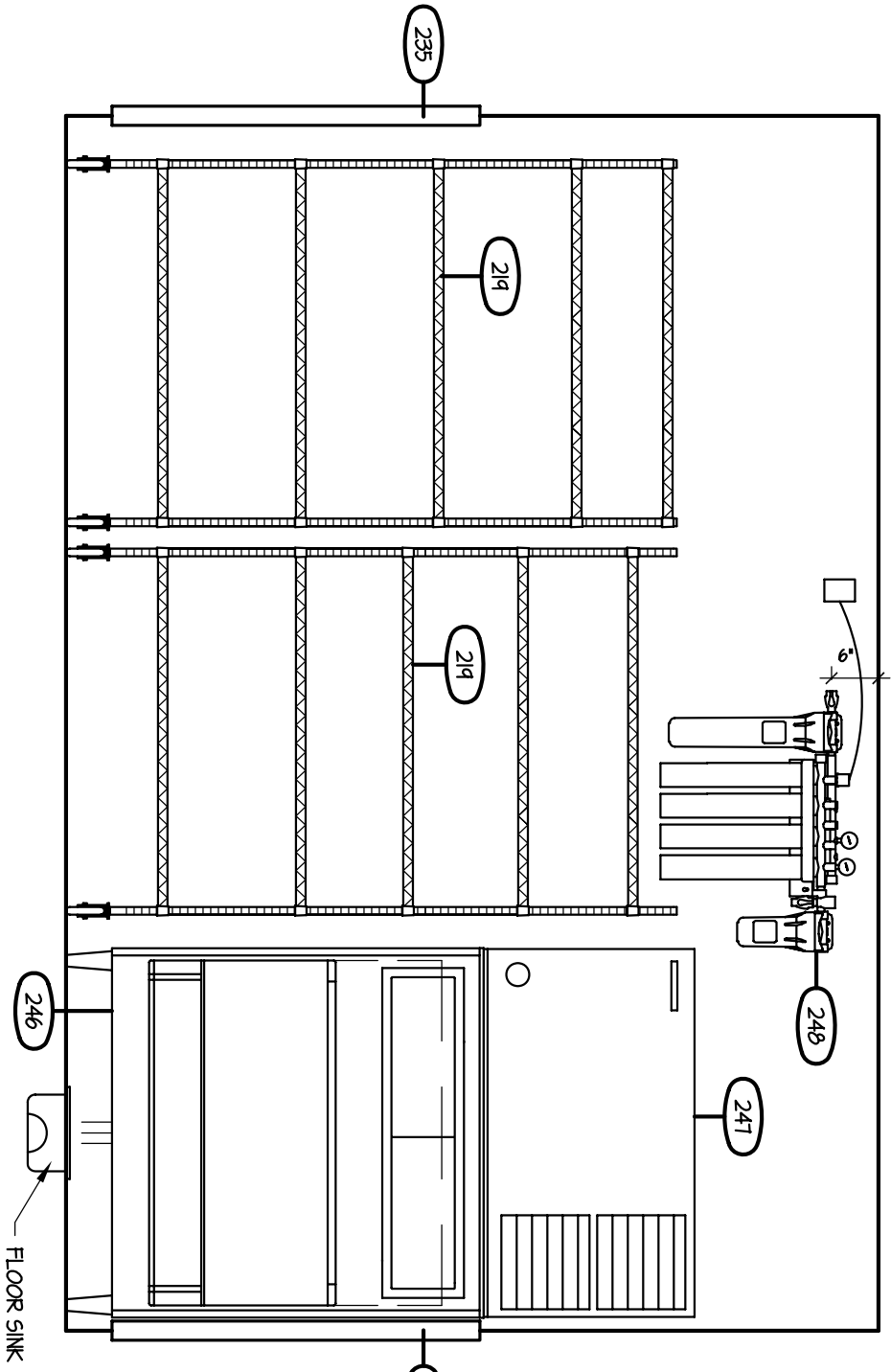
1 EQUIPMENT ELEVATION
1/2" = 1'-0"



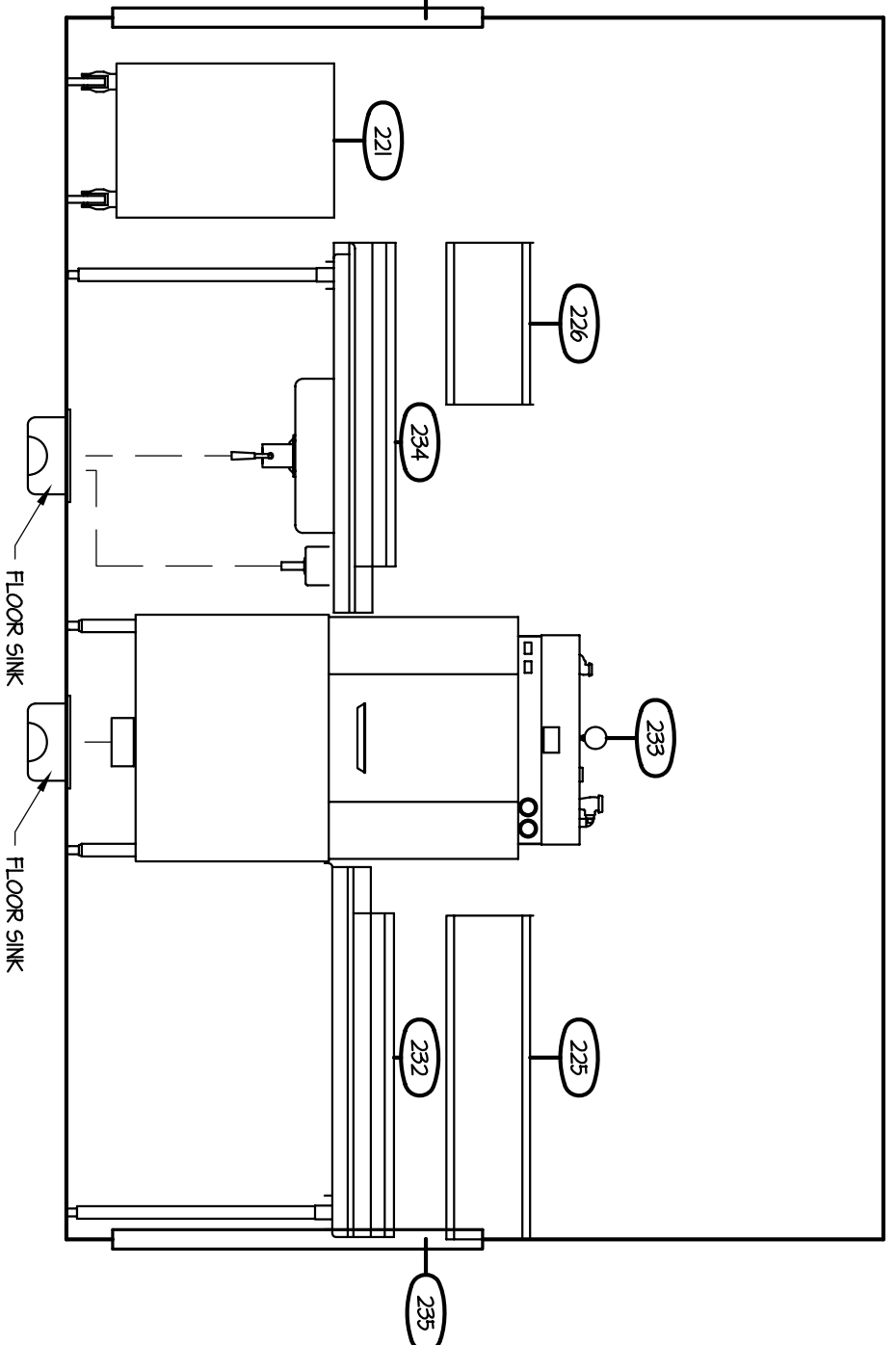
2 EQUIPMENT ELEVATION
1/2" = 1'-0"



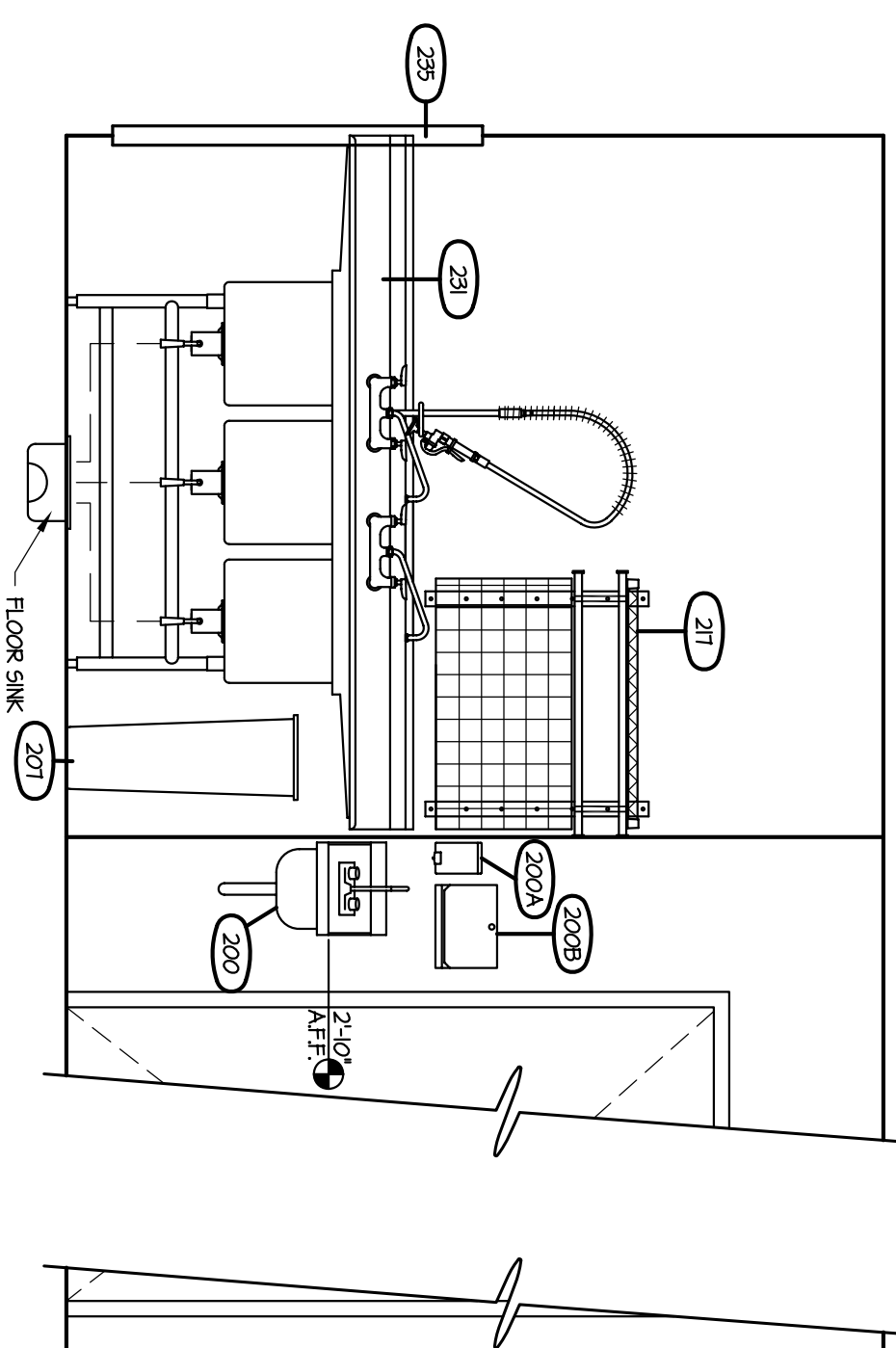
3 EQUIPMENT ELEVATION
1/2" = 1'-0"



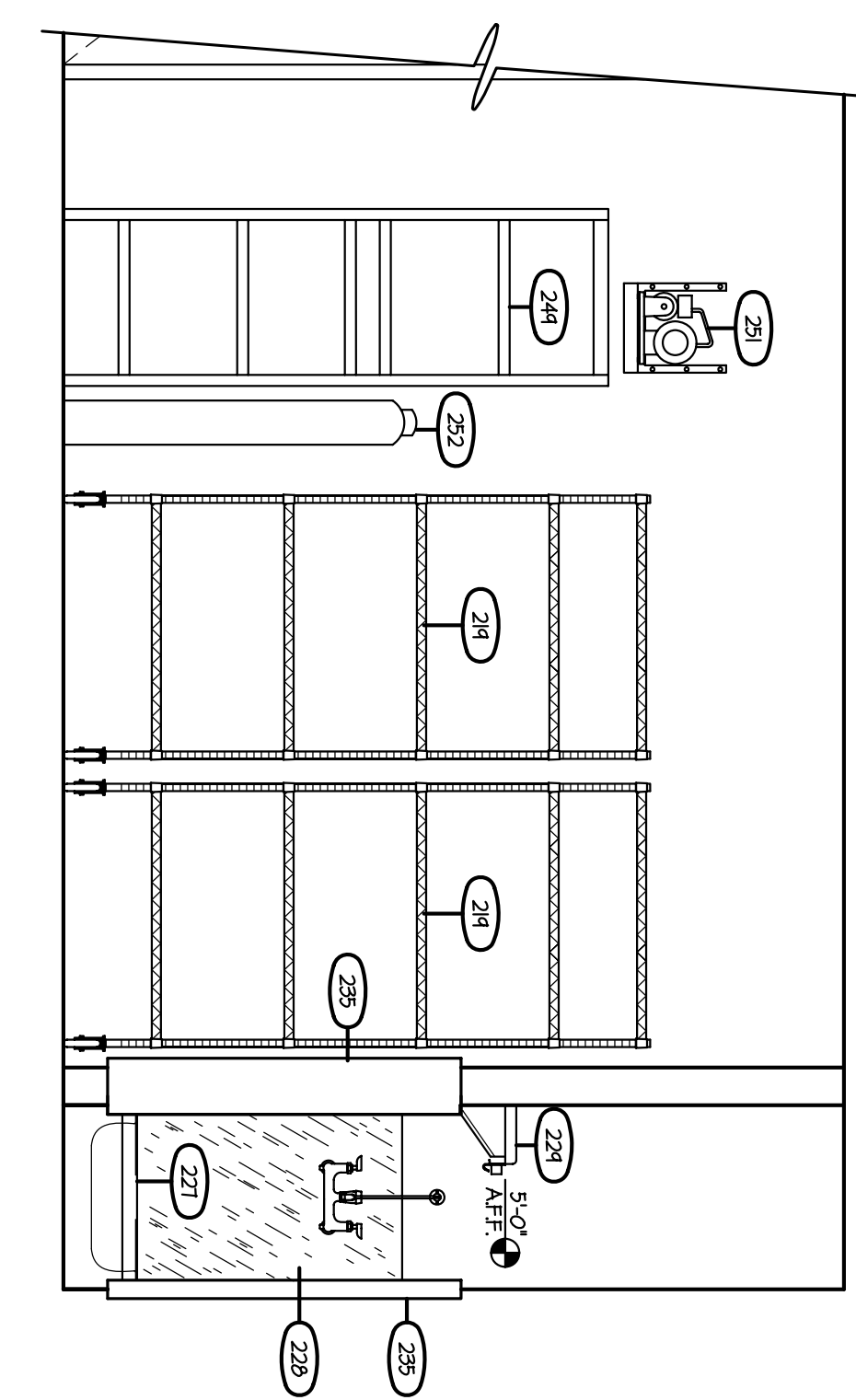
4 EQUIPMENT ELEVATION
1/2" = 1'-0"



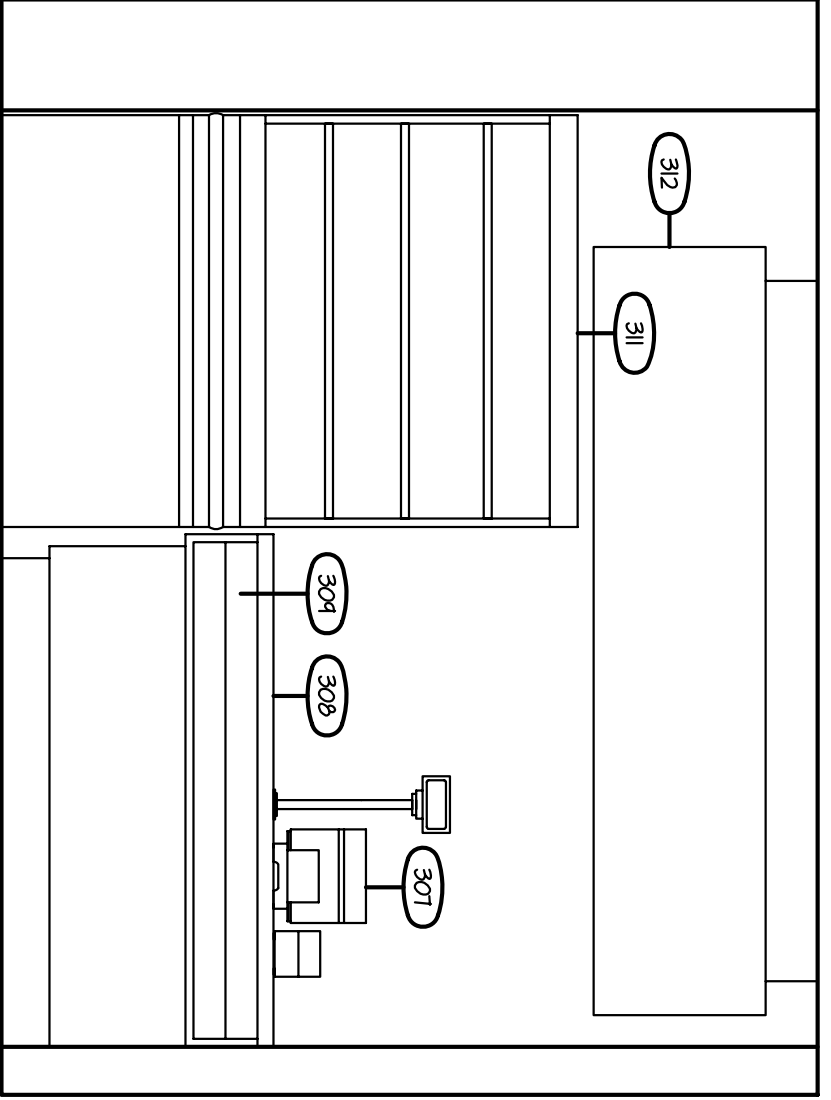
5 EQUIPMENT ELEVATION
1/2" = 1'-0"



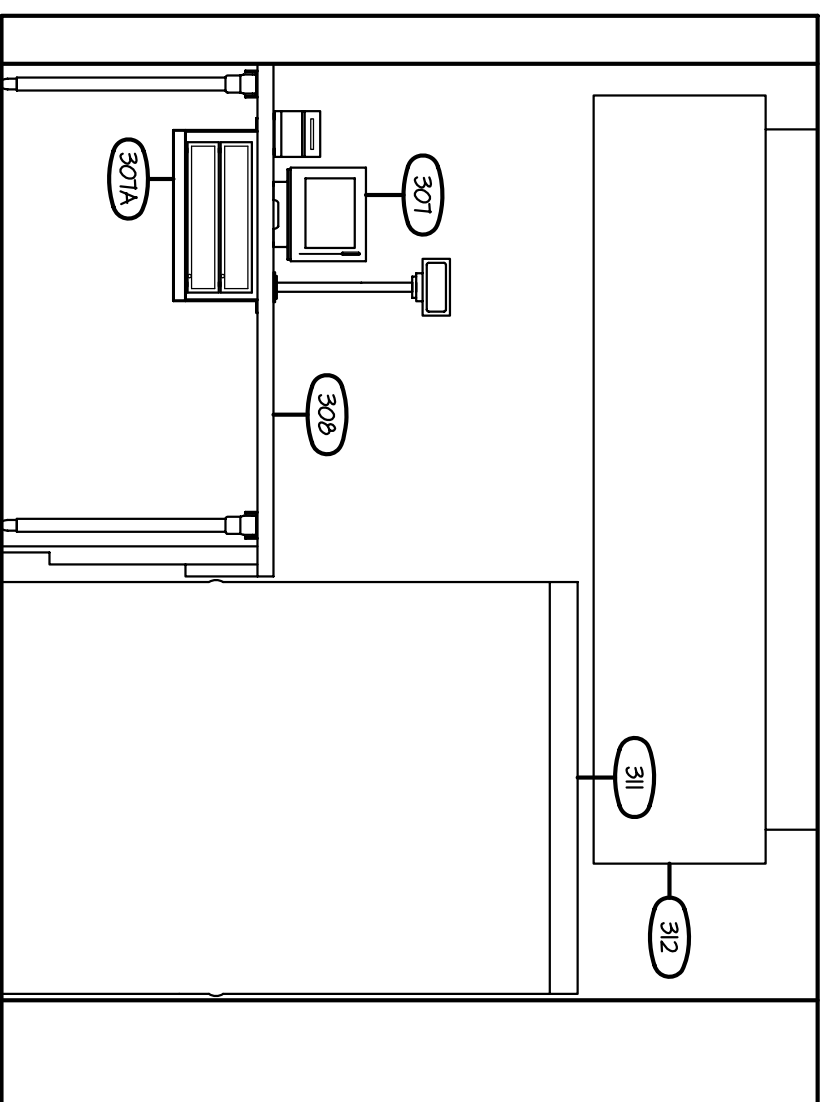
6 EQUIPMENT ELEVATION
1/2" = 1'-0"



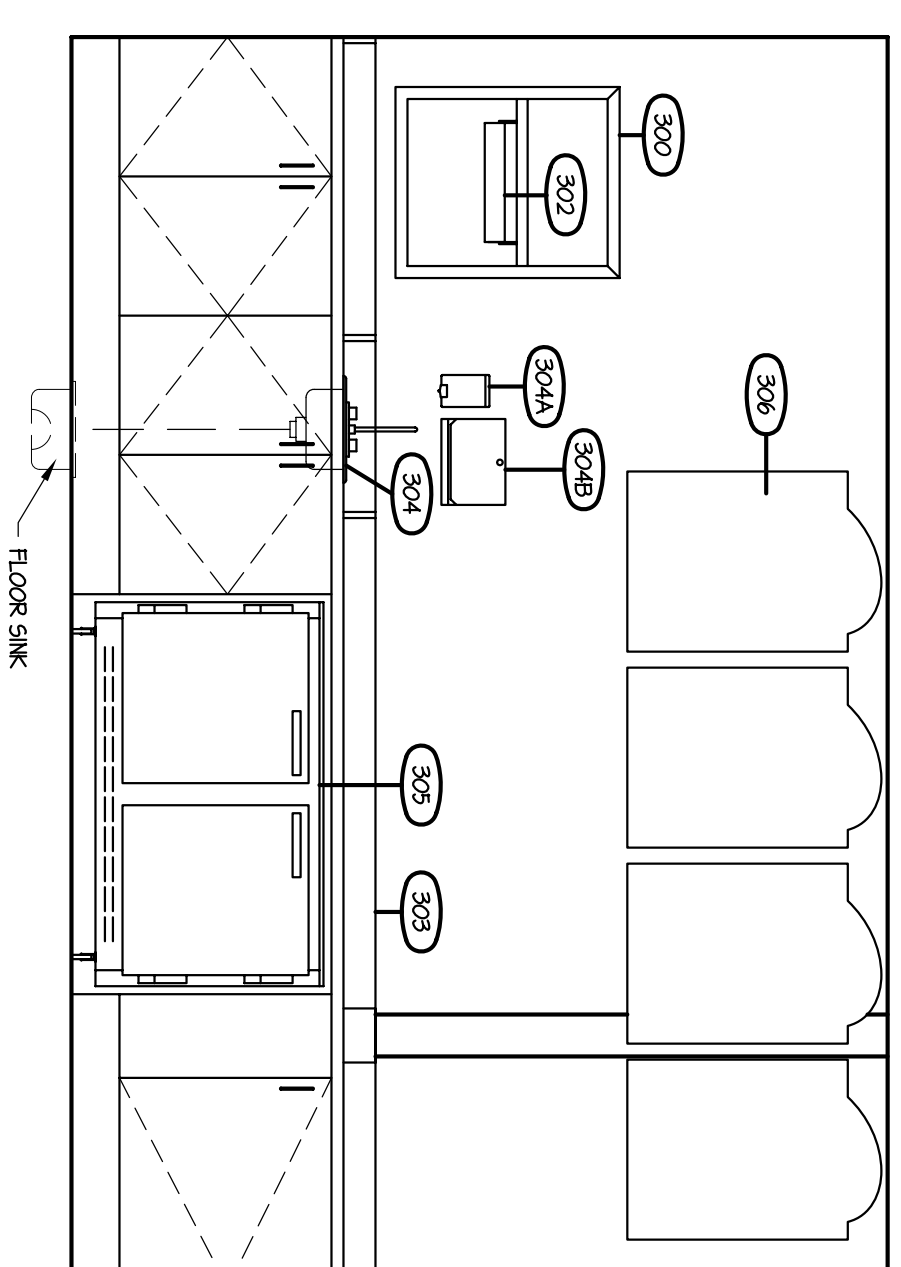
7 EQUIPMENT ELEVATION
1/2" = 1'-0"



8 TO GO FRONT COUNTER ELEVATION
1/2" = 1'-0"



9 TO GO FRONT COUNTER ELEV. - SERVER SIDE
1/2" = 1'-0"



10 TO GO BACK COUNTER
1/2" = 1'-0"

Item	Date
Engineering Review	11-04-07
Rev. Submittals	12-04-07

JMS Host
6600 Rockledge Drive
Bethesda, MD 20817
Tel: (240) 646-4675
Fax: (240) 694-1175

LAM Foodservice DESIGN GROUP
8111 Chesnut Park Drive
Glen Burnie, MD 21061
Ph: (410) 863-1302
Fx: (410) 863-1308

Building Engineering Resources, Inc.
28 Main Street, Bldg. #3
North Freetown, MA 02546
Tel: (508) 234-0280
Fax: (508) 234-0280
E: kevin@buildingresources.com

LLOYD ARCHITECTS
Two High Cliff, Plymouth MA 02360
TEL: (508) 746-4646
FAX: (508) 746-4646
E: info@lloydarch.com

Job No.: 07417
Scale: As noted
Issued: 12-11-07

FS-5.2
EQUIPMENT ELEVATIONS