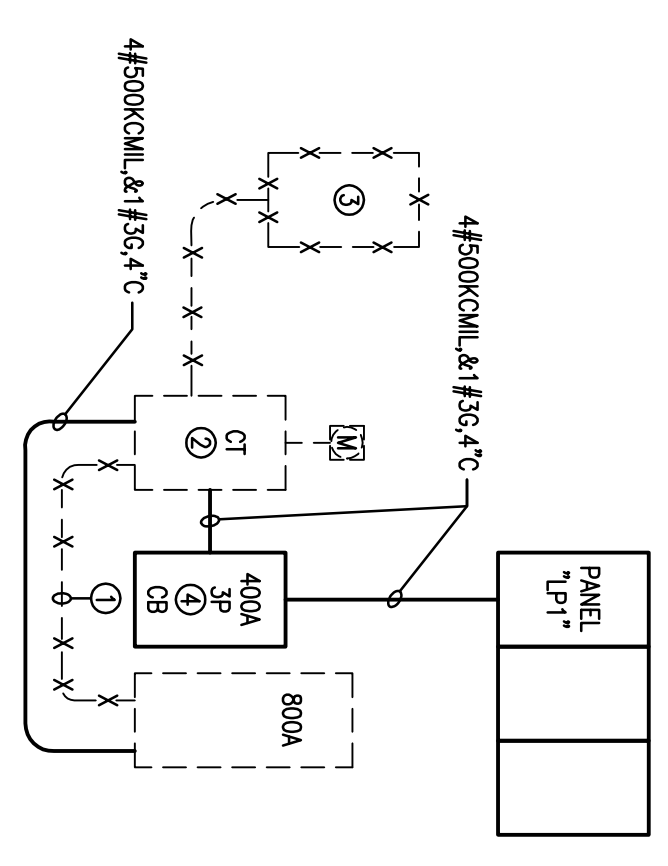
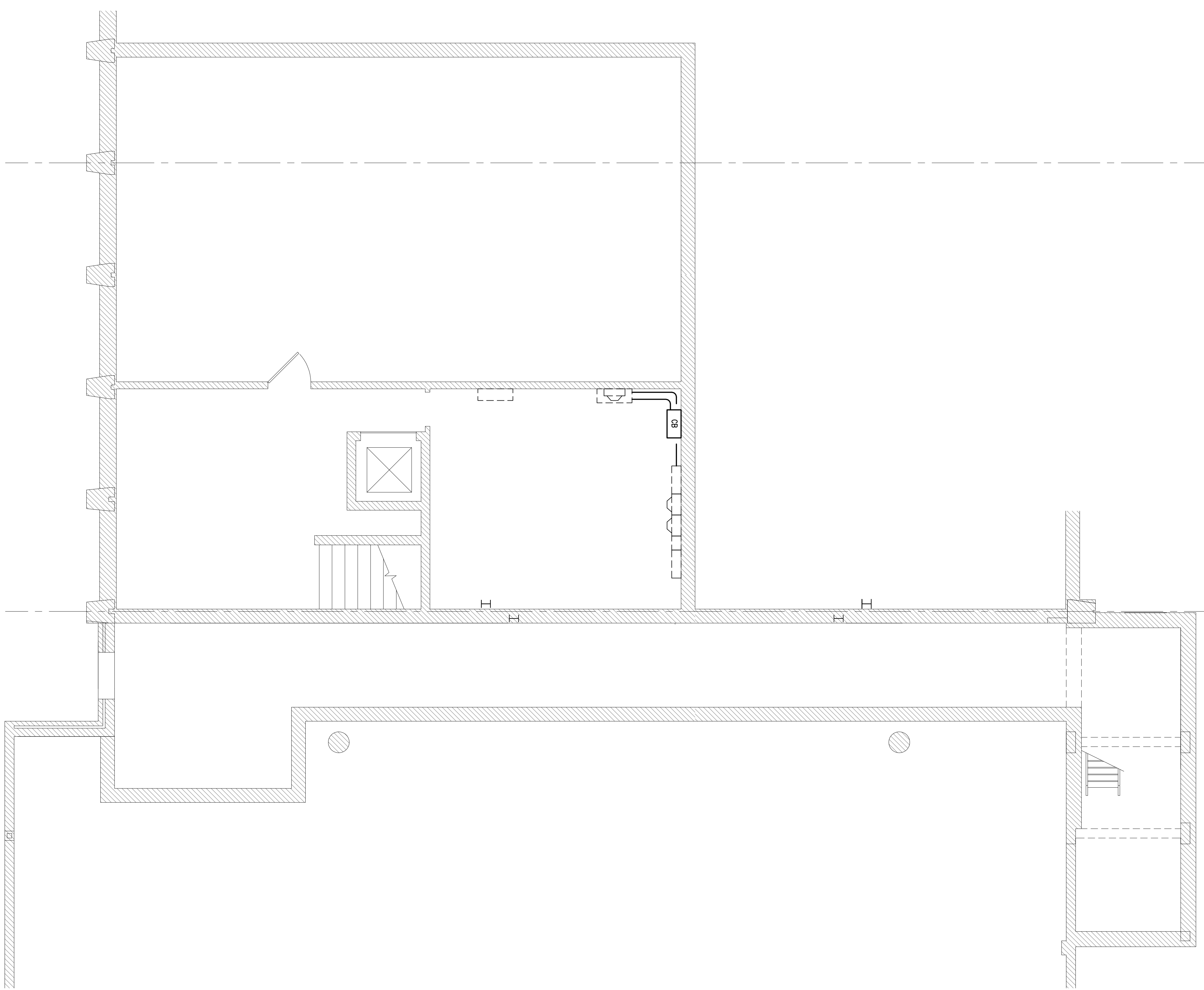


22

26



- ① EXISTING 300AMP FEEDER TO BE REMOVED.
- ② EXISTING CIRCUIT TRANSFORMER CABINET AND UTILITY METER TO REMAIN. COORDINATE NEW CT REQUIREMENTS WITH UTILITY.
- ③ EXISTING 300AMP PANEL TO BE REMOVED. COORDINATE CUT OVER OF NEW PANEL WITH HMS HOST.
- ④ NEW CIRCUIT BREAKER IN ROOM#23. COORDINATE/VERIFY EXACT LOCATION WITH JETPORT ENGINEERING.

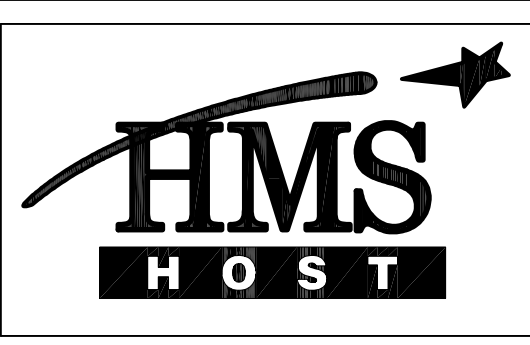
**POWER RISER DIAGRAM**  
SCALE: NTS

28 Main Street, Bldg. 43A  
North Fason, MA 02356  
Tel: (508) 234-0200  
Fax: (508) 234-0200  
E: hof@hmc-engineering.com

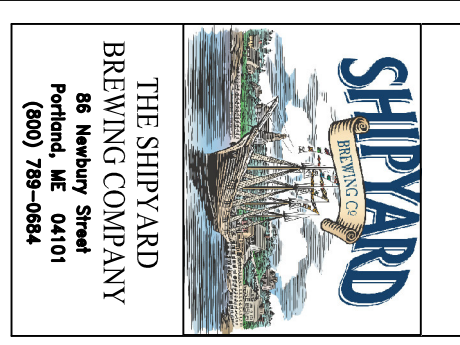
**LM Foodservice  
DESIGN GROUP**  
811 Cromwell Park Drive  
Glen Burnie, MD 21061  
Ph: (410) 863-1302  
Fx: (410) 863-1308

**Building Engineering  
Resources, Inc.**  
28 Main Street, Bldg. 43A  
North Fason, MA 02356  
Tel: (508) 234-0200  
Fax: (508) 234-0200  
E: hof@hmc-engineering.com

**JMS Host**  
6600 Rockledge Drive  
Bethesda, MD 20817  
Ph: (240) 994-4025  
Fax: (240) 994-1175



**The Shipyard**  
Main Terminal - Lower Level  
Portland International Jetport  
1001 Westbrook Street  
Portland, ME 04102



| Item | Date |
|------|------|
|      |      |
|      |      |
|      |      |
|      |      |

**LLOYD ARCHITECTS**  
Two High Cliff, Plymouth MA 02360  
TEL: (508) 746-4646  
FAX: (508) 746-1226  
E-MAIL: info@lloydarch.com

Job No.: 07317  
Scale: 1/4" = 1'-0"  
Issued: 12/11/07

Electrical  
Basement Plan

**E2**