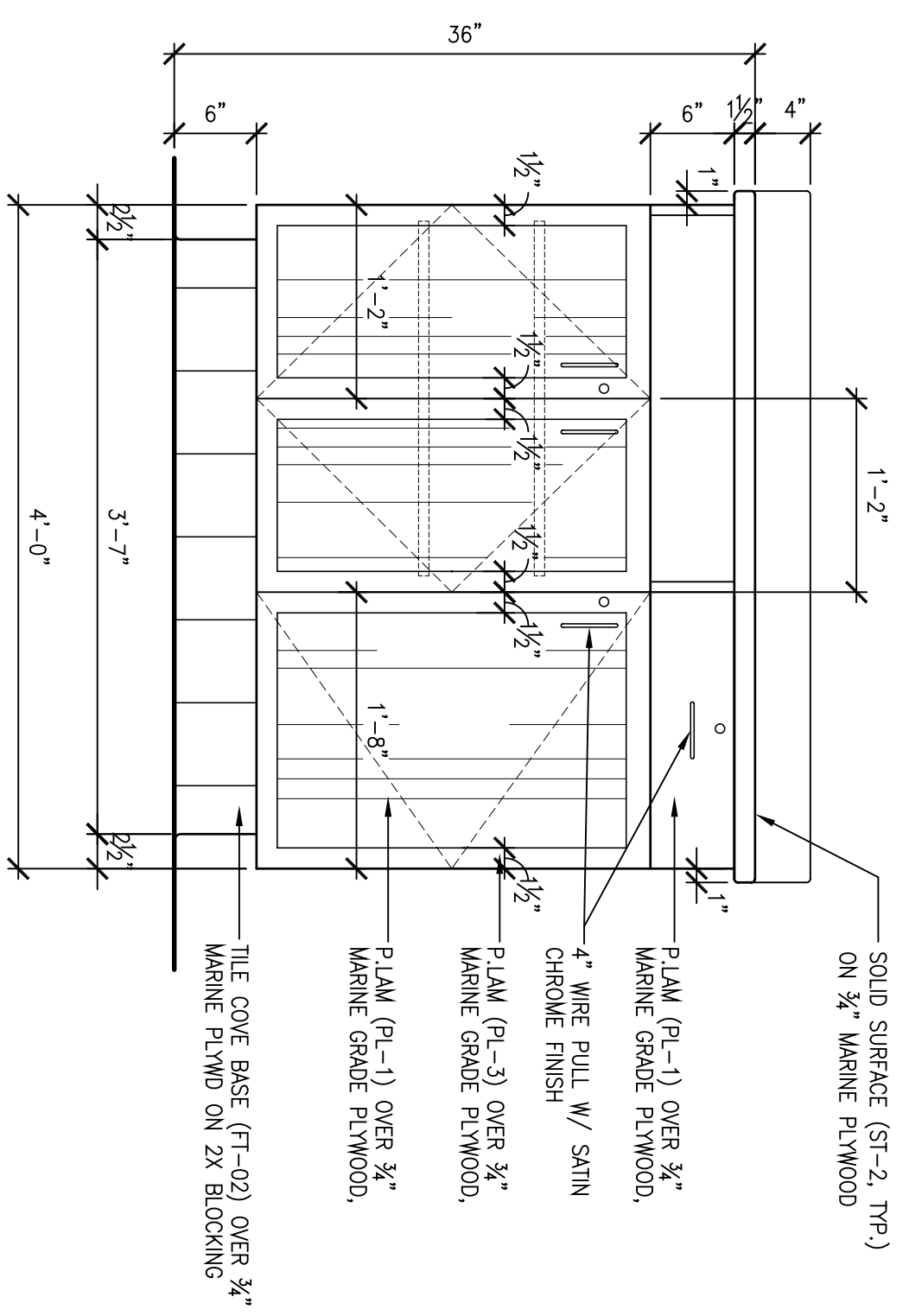
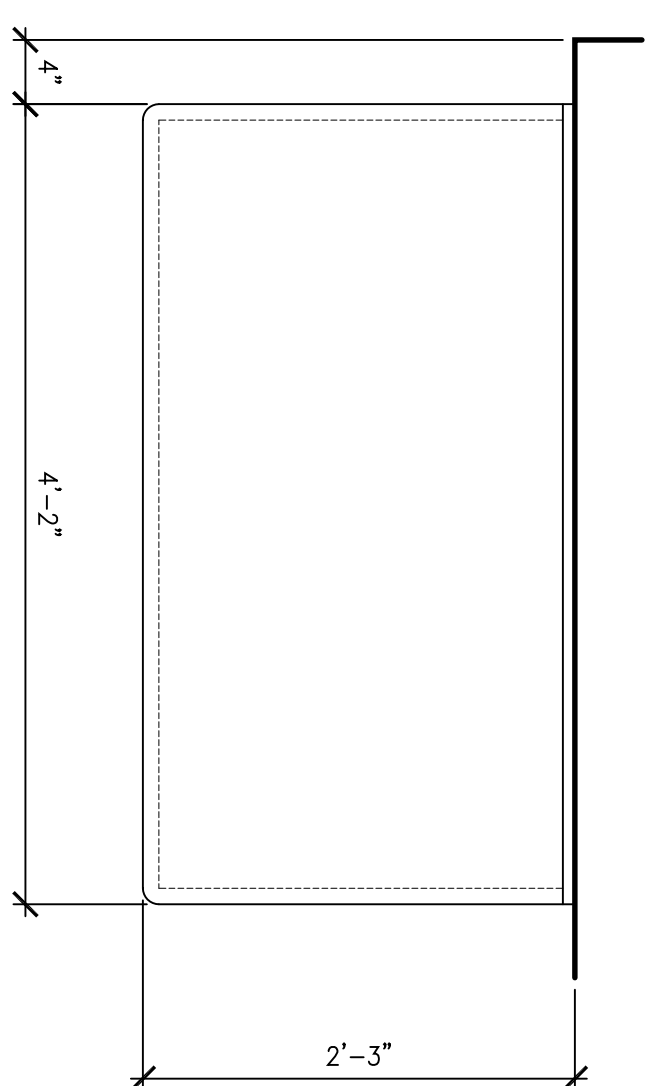
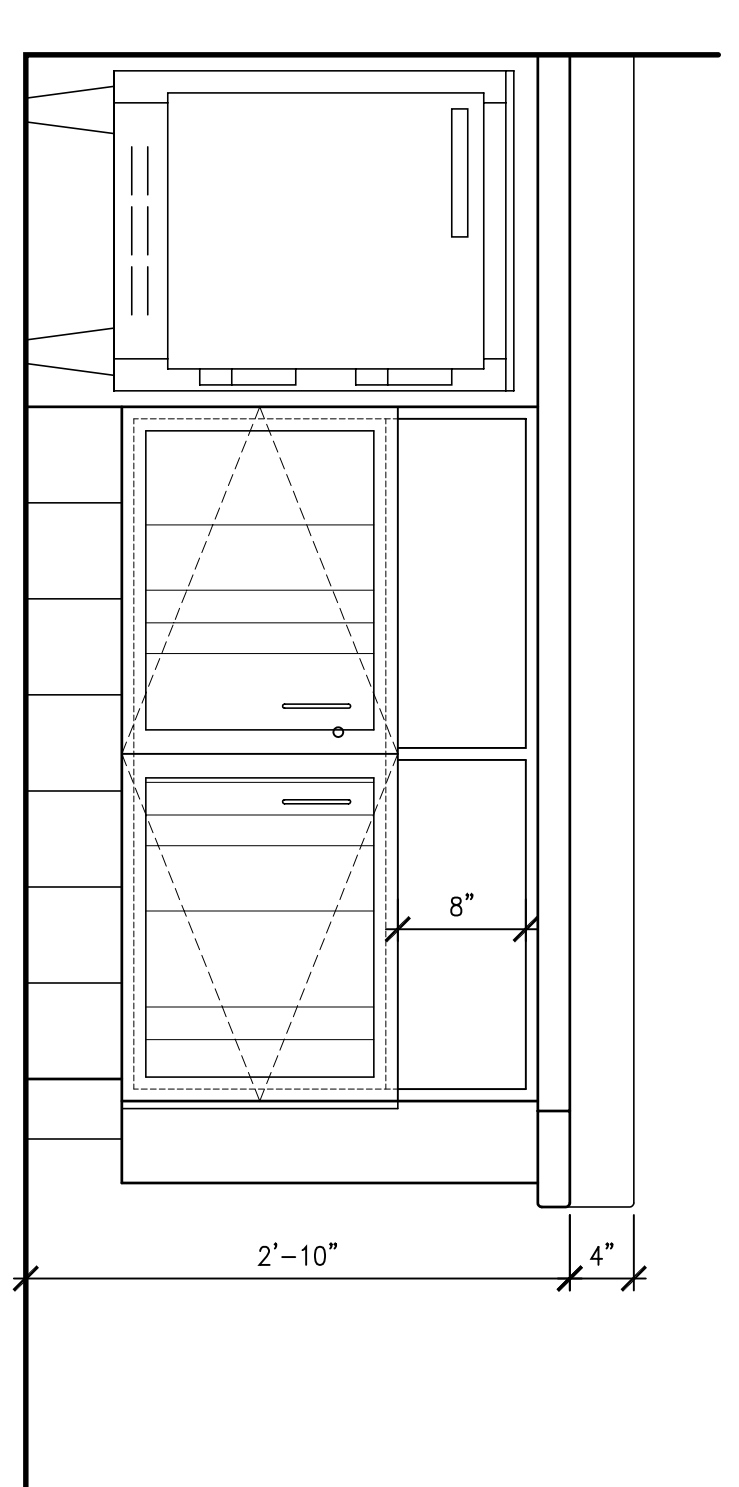
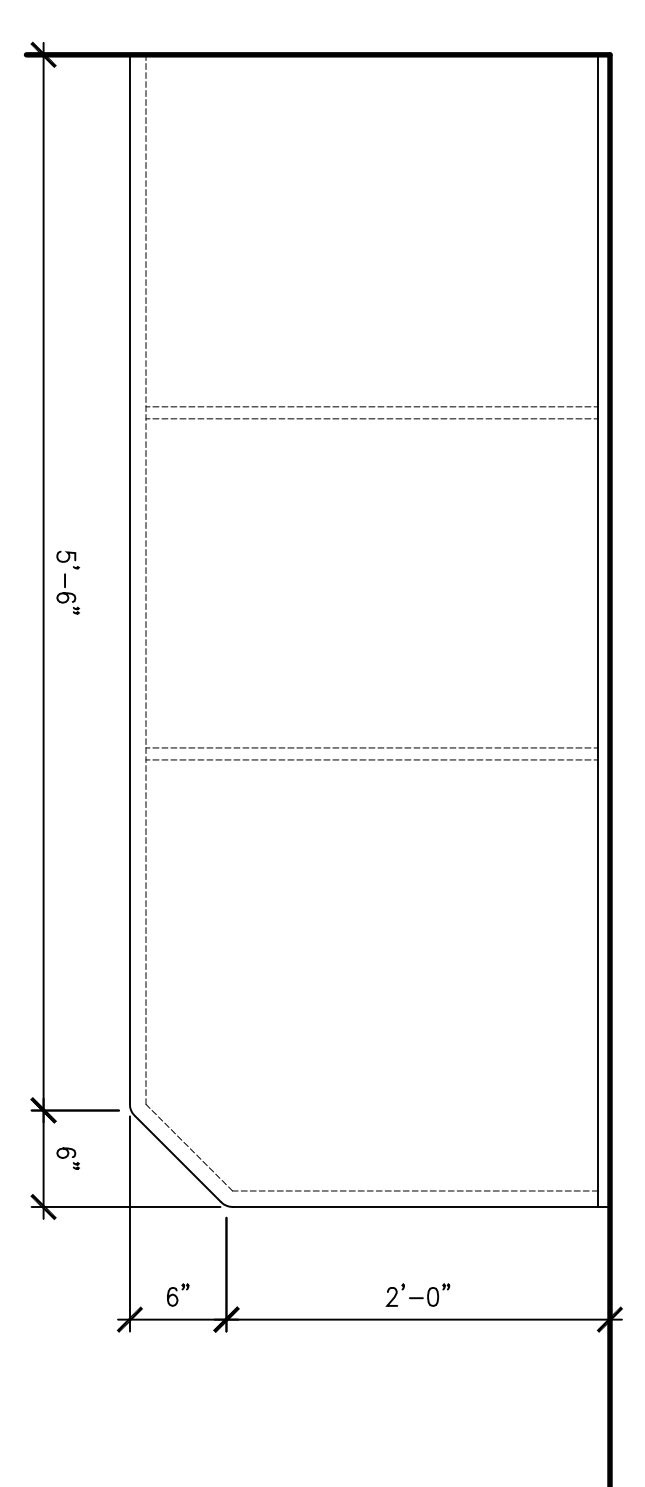
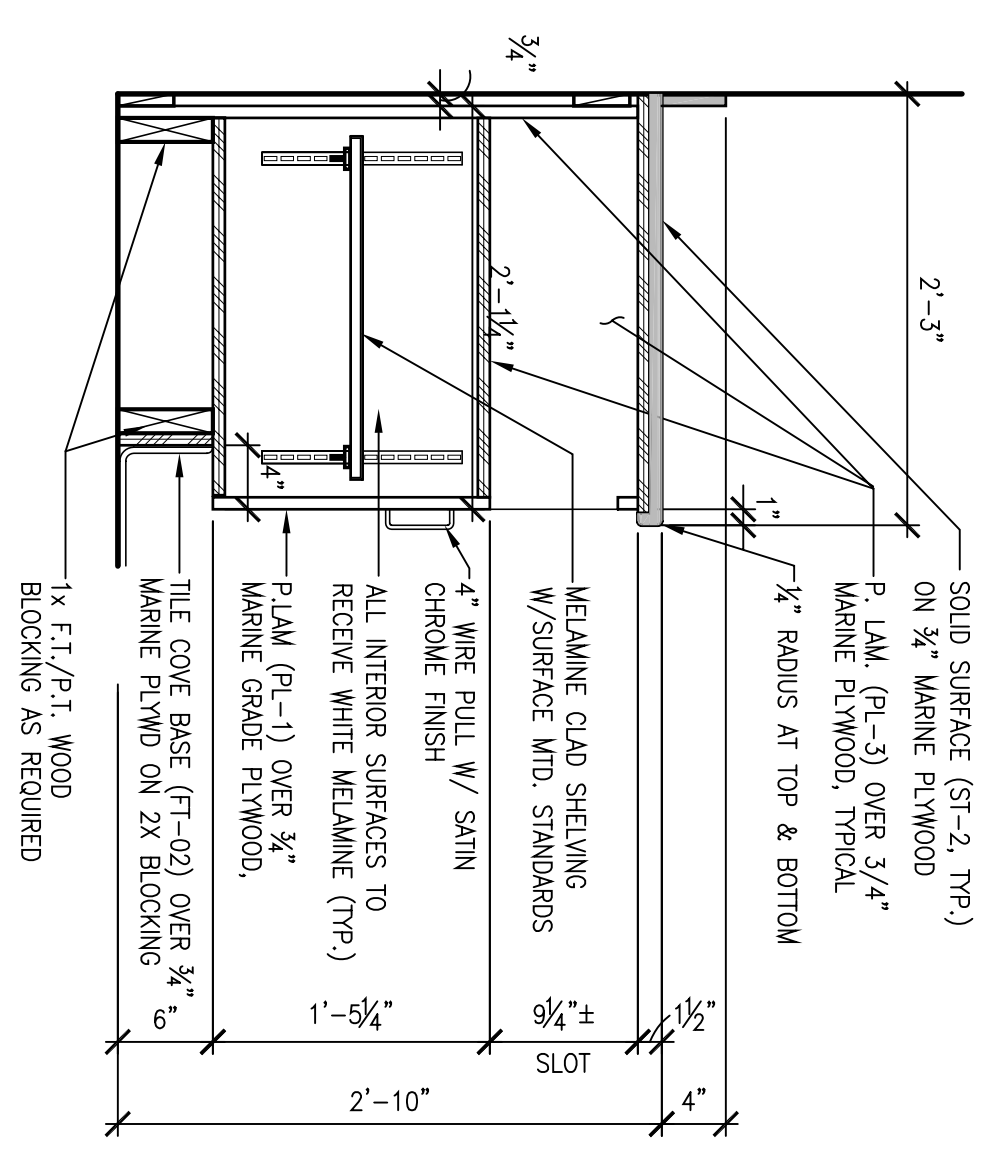
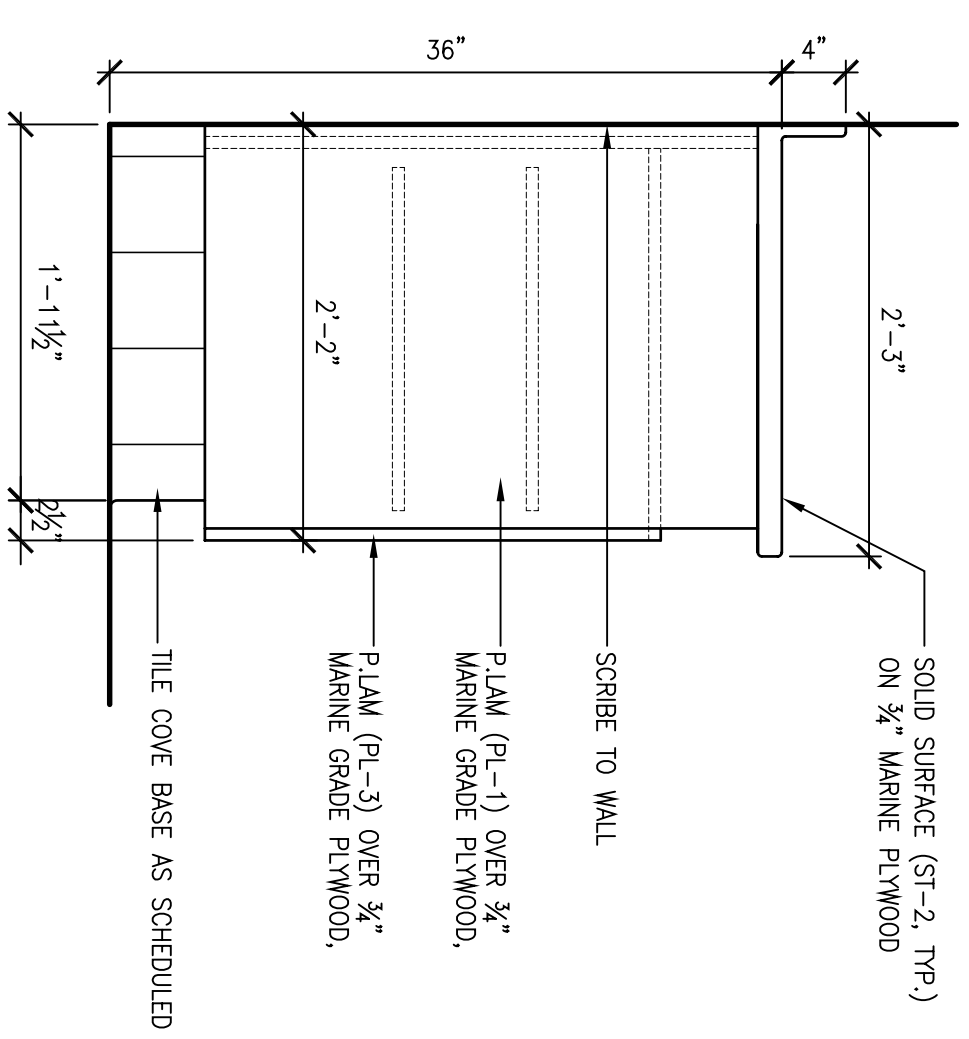


2 Service Station  
Scale: 1"=1'-0"



1 Server Station  
Scale: 1"=1'-0"



3 Service Station  
Scale: 1"=1'-0"

Item	Date
Progress	12/06/07



THE SHIPYARD  
BREWING COMPANY  
66 Main Street  
Portland, ME 04101  
(603) 799-0824

**HMS HOST**

The Shipyard  
Main Terminal - Lower Level  
Portland International Jetport  
1001 Westbrook Street  
Portland, ME 04102

IMHS Host  
6600 Rockledge Drive  
Bethesda, MD 20817  
Ph: (240) 994-4825  
Fax: (240) 994-4125

LAM Foodservice  
DESIGN GROUP  
8111 Corner Park Drive  
Glen Burnie, MD 21061  
Ph: (410) 863-1302  
Fax: (410) 863-1308

Building Engineering  
Resources, Inc.  
28 Main Street, Bldg. #3  
North Freetown, MA 02556  
Tel: (508) 254-0200  
Fax: (508) 254-0200  
E: hrb@buildingresources.com

**LLOYD ARCHITECTS**  
Two High Cliff, Plymouth MA 02360  
TEL: (508) 746-4646  
FAX: (508) 746-4646  
EMAIL: info@lloydarch.com

Job No.: 07417  
Scale: As noted  
Issued: 12/11/07

Details

A4.2