

Item	Date
Progress	12/06/07



THE SHIPYARD
BREWING COMPANY
66 Mainport Street
Portland, ME 04101
(603) 799-0634

HMS HOST

The Shipyard
Main Terminal - Lower Level
Portland International Jetport
1001 Westbrook Street
Portland, ME 04102

HMS Host
6600 Rockledge Drive
Bethesda, MD 20817
Tel: (240) 664-4055
Fax: (240) 664-1175

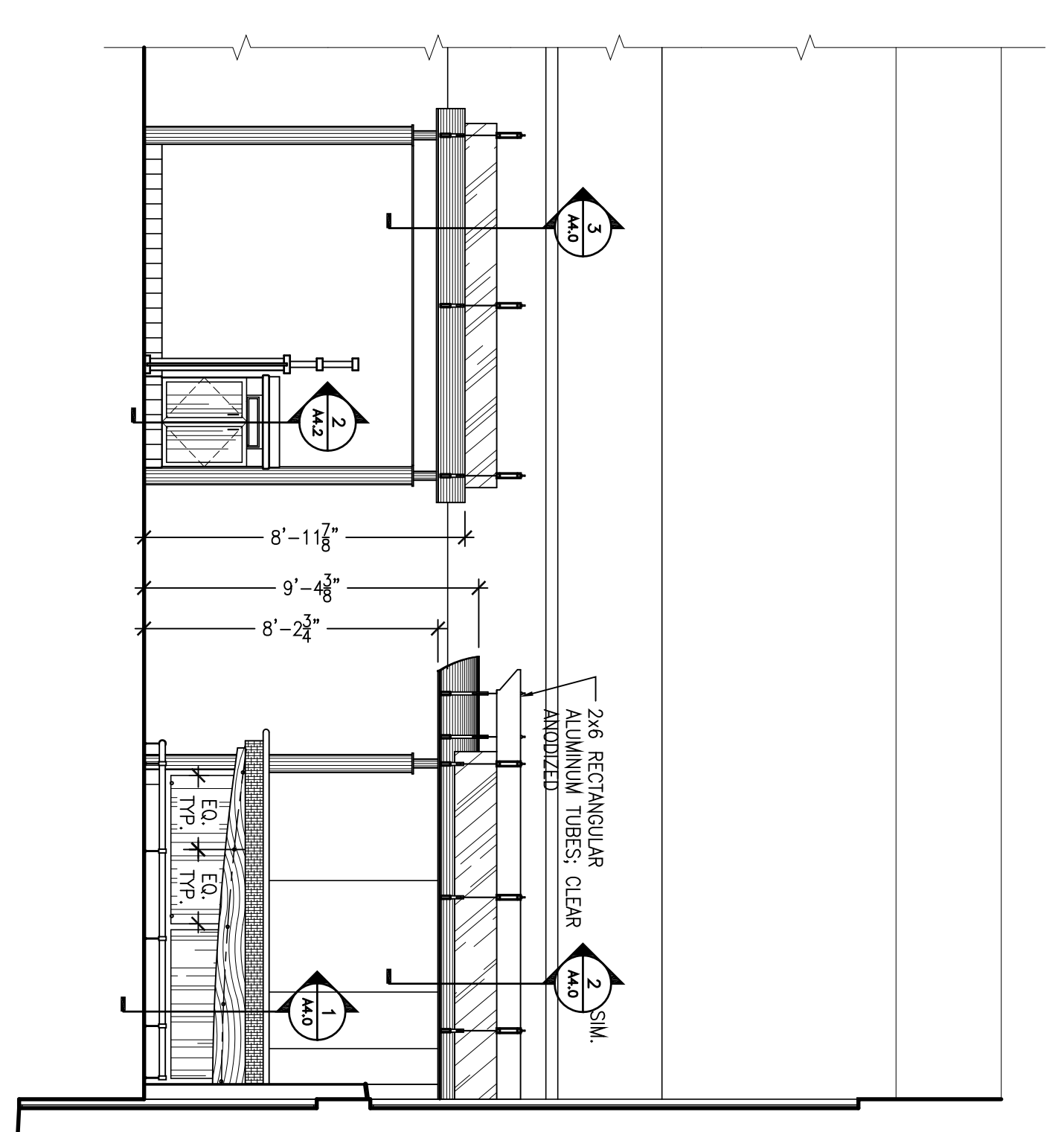
**L2M Foodservice
DESIGN GROUP**
8111 Corner Park Drive
North Haven, CT 06457
Tel: (203) 239-7000
Fax: (203) 239-7000

**Building Engineering
Resources, Inc.**
28 Main Street, Bldg. #3
North Easton, MA 02546
Tel: (508) 234-2800
Fax: (508) 234-2800
E: berr@buildingresources.com

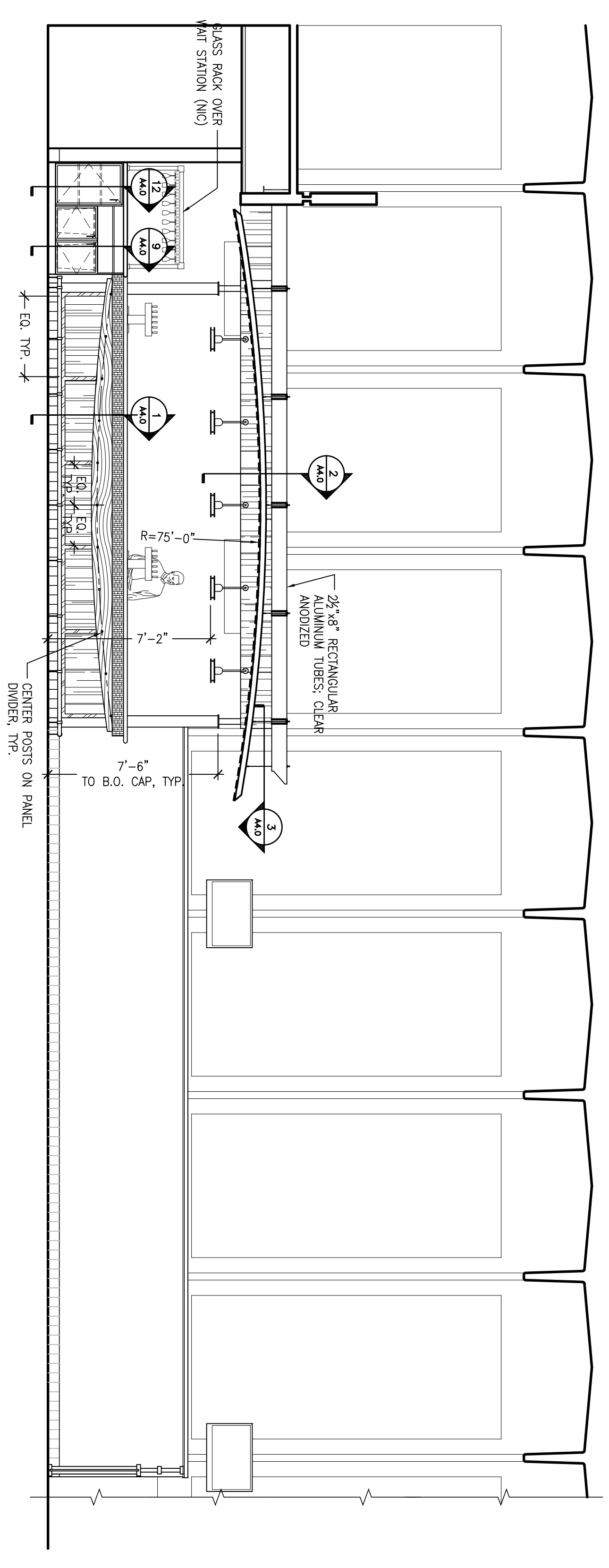
LLOYD ARCHITECTS
Two High Cliff, Plymouth MA 02360
TEL: (508) 746-4466
TEL: (508) 746-4466
TEL: (508) 746-4466
FAX: (508) 746-4466
E: info@lloydarch.com
E: lloydarch@lloydarch.com

Job No.: 07417
Scale: As noted
Issued: 12/11/07
Interior Elevations

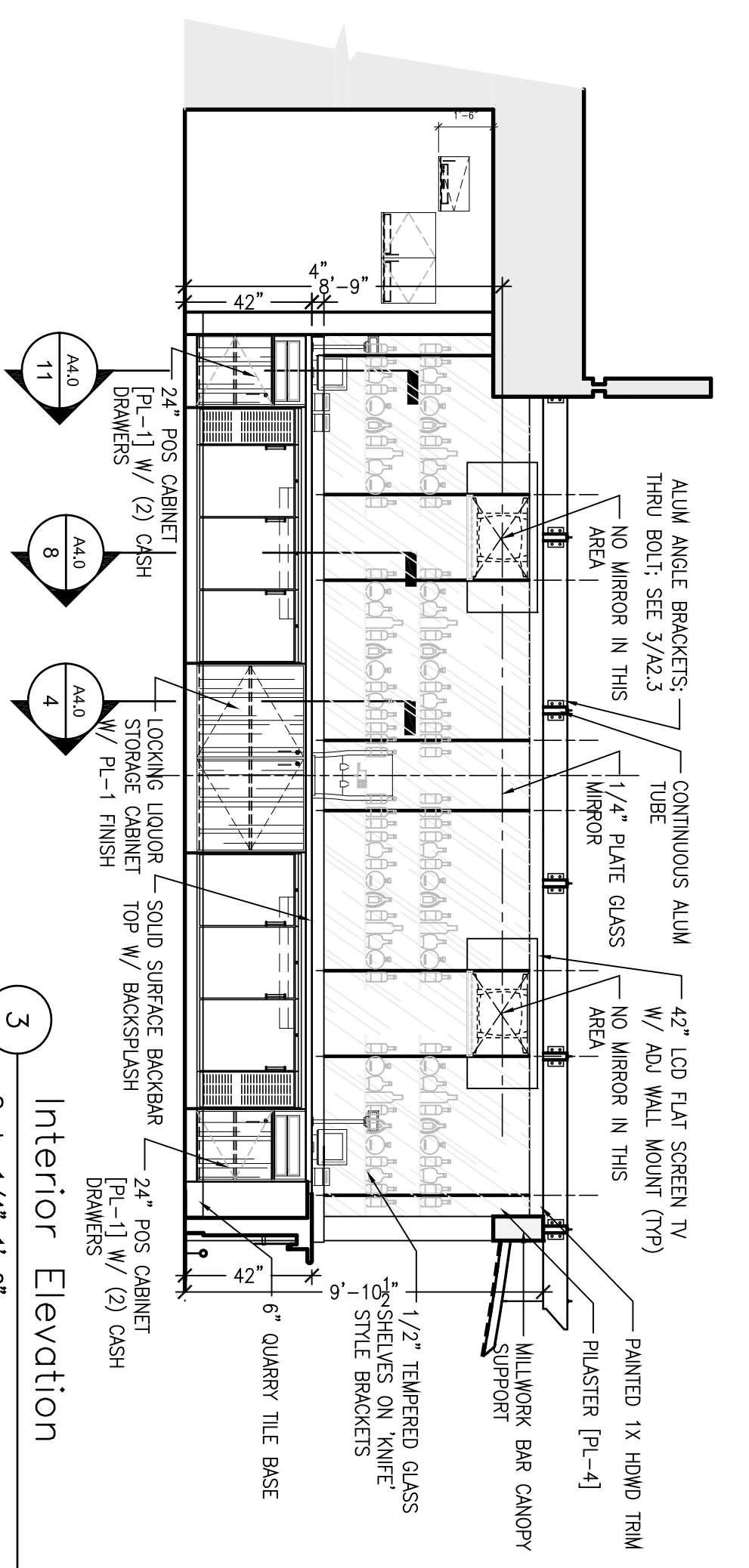
A3.1



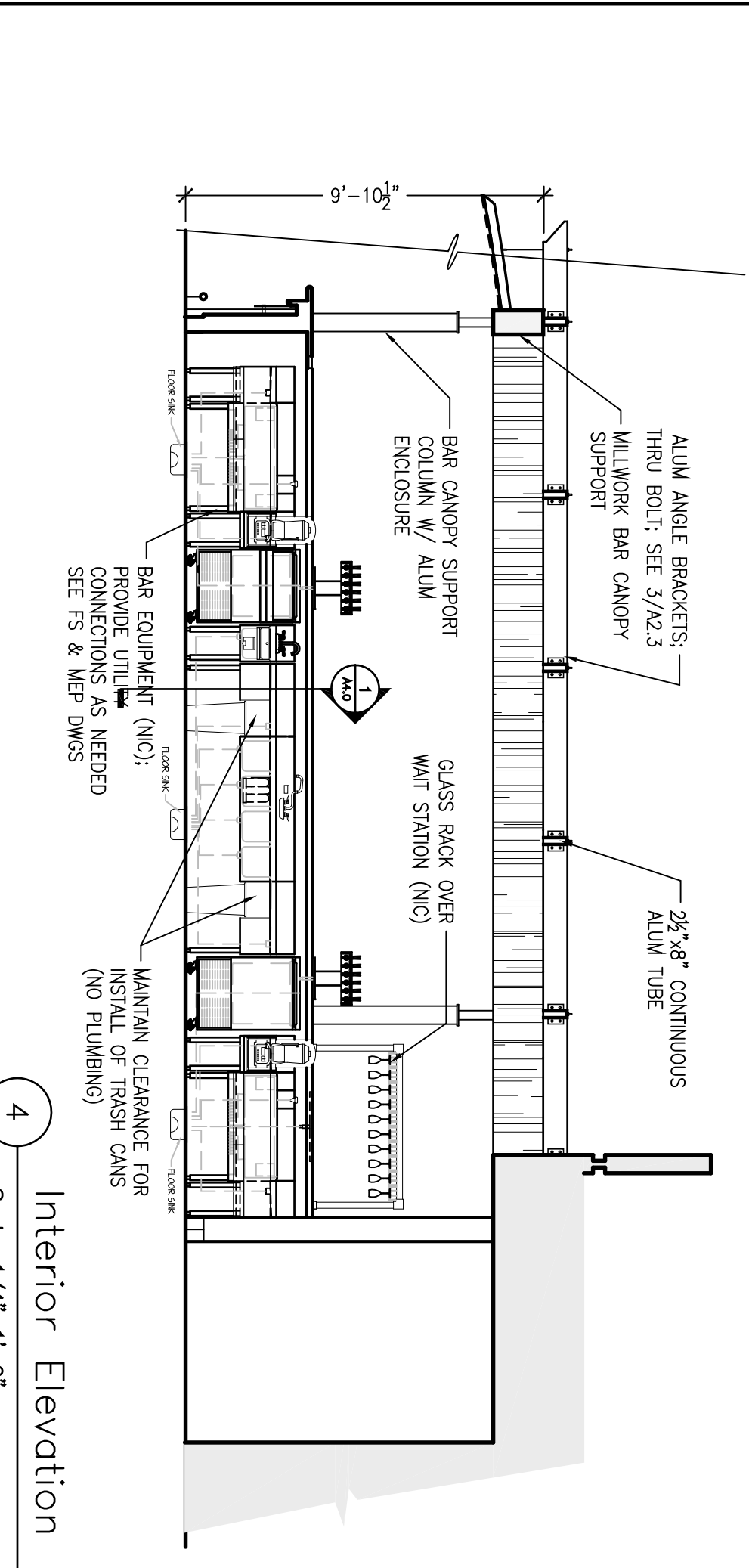
1 Interior Elevation
Scale: 1/4"=1'-0"



2 Interior Elevation
Scale: 1/4"=1'-0"

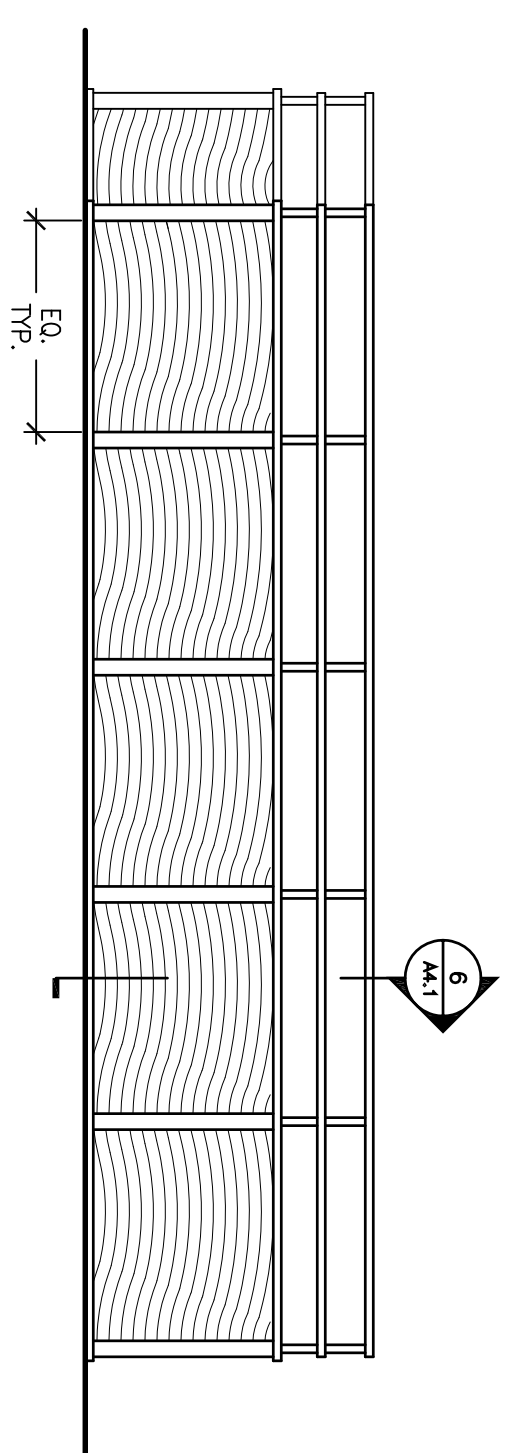


3 Interior Elevation
Scale: 1/4"=1'-0"

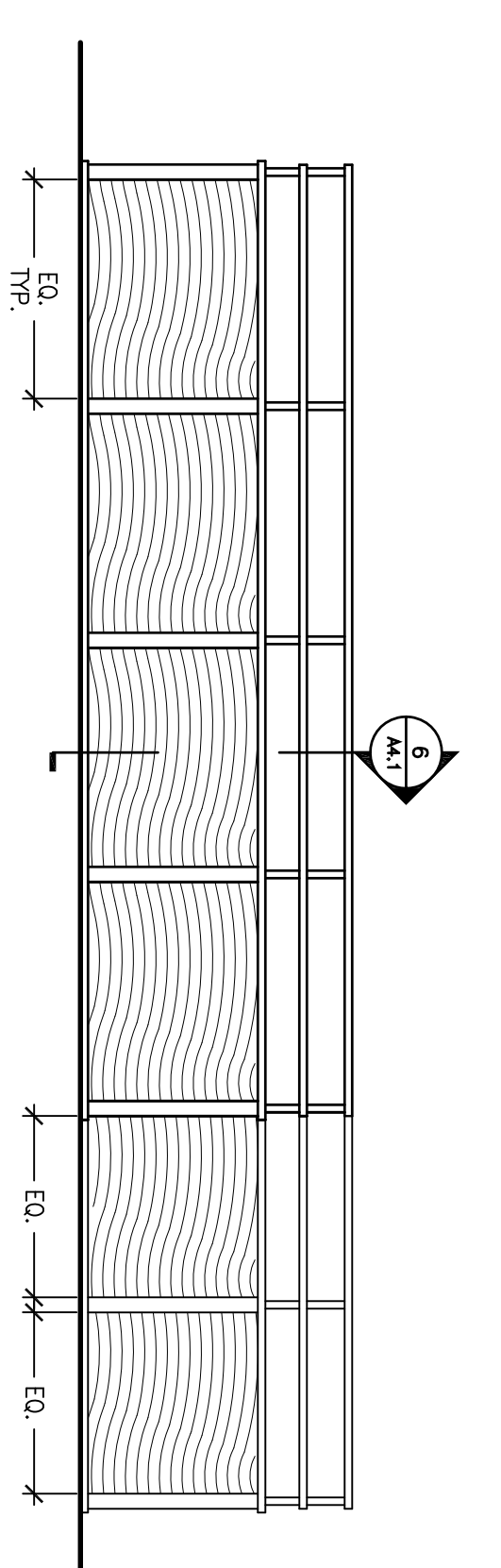


4 Interior Elevation
Scale: 1/4"=1'-0"

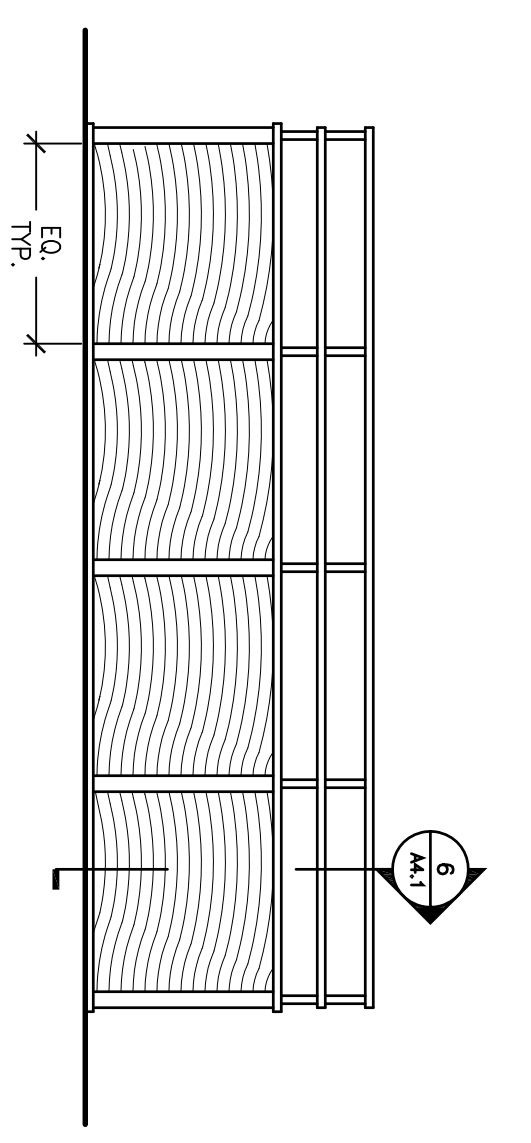
5 Not Used
Scale: 1/4"=1'-0"



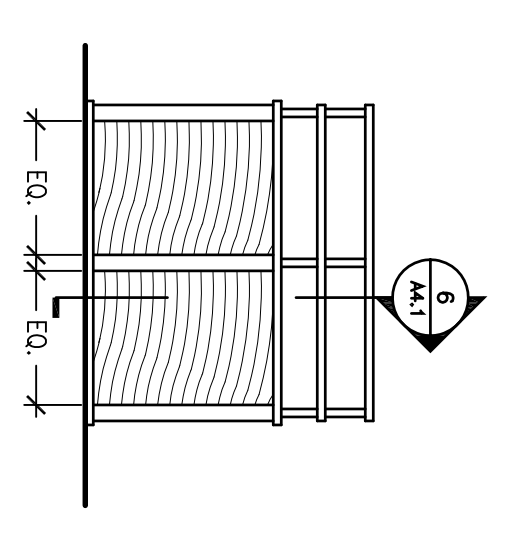
6 Interior Elevation
Scale: 1/4"=1'-0"



7 Interior Elevation
Scale: 1/4"=1'-0"



8 Interior Elevation
Scale: 1/4"=1'-0"



9 Interior Elevation
Scale: 1/4"=1'-0"